



US00D870268S

(12) **United States Design Patent** (10) **Patent No.:** **US D870,268 S**
Massie et al. (45) **Date of Patent:** **** Dec. 17, 2019**

(54) **ORAL IRRIGATOR HANDLE**
(71) Applicant: **WATER PIK, INC.**, Fort Collins, CO (US)
(72) Inventors: **Carson Noel Massie**, Seattle, WA (US); **Jeffrey Ladwig**, Seattle, WA (US)

1,933,454 A 10/1933 Sidney
1,940,111 A 12/1933 Austin
D93,019 S 8/1934 Hose
1,977,782 A 10/1934 Roy
2,107,686 A 2/1938 Bramsen et al.
(Continued)

(73) Assignee: **WATER PIK, INC.**, Fort Collins, CO (US)

FOREIGN PATENT DOCUMENTS

DE 2409752 9/1975
JP 2009125124 6/2009

(**) Term: **15 Years**

OTHER PUBLICATIONS

(21) Appl. No.: **29/657,488**

US RE27,274 E, 01/1972, Mattingly (withdrawn)

(22) Filed: **Jul. 23, 2018**

Primary Examiner — Sheryl Lane

Assistant Examiner — Aula Soroush

Related U.S. Application Data

(63) Continuation of application No. 29/587,848, filed on Dec. 15, 2016, now Pat. No. Des. 825,741.

(74) *Attorney, Agent, or Firm* — Dorsey & Whitney LLP

(51) **LOC (12) Cl.** **24-02**

(57) **CLAIM**

We claim the ornamental design for an oral irrigator handle, as shown and described.

(52) **U.S. Cl.**

USPC **D24/111**

DESCRIPTION

(58) **Field of Classification Search**

USPC D24/108, 111–113, 133, 152, 176;
D4/101, 104–113, 138, 199

See application file for complete search history.

FIG. 1 is an isometric view of an oral irrigator handle with a tip shown in dashed lines for environment.

FIG. 2 is a front isometric view of the oral irrigator handle of FIG. 1.

FIG. 3 is a front elevation view thereof.

FIG. 4 is a rear elevation view thereof.

FIG. 5 is a right side elevation view thereof.

FIG. 6 is a left side elevation view thereof.

FIG. 7 is a top plan view thereof; and,

FIG. 8 is a bottom plan view thereof.

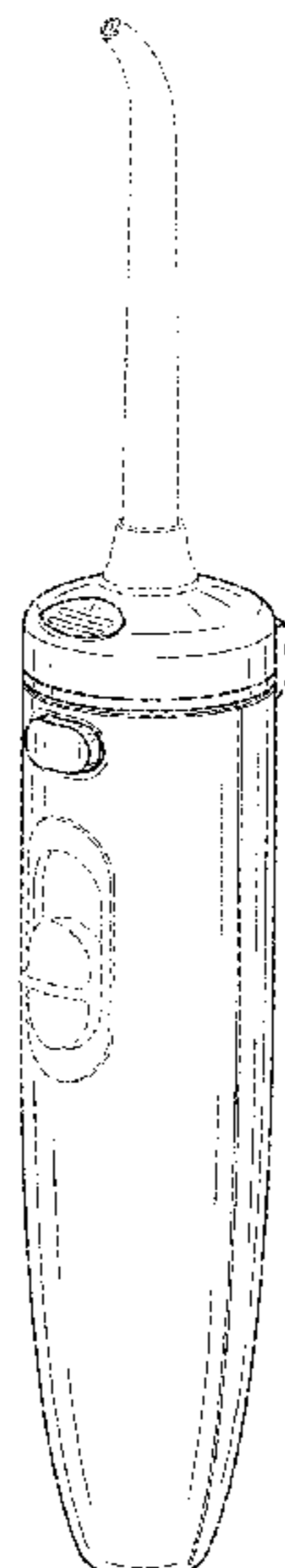
The broken lines in FIGS. 2-8 indicate features of the oral irrigator handle that form no part of the claimed design. The broken line showing of the tip in FIG. 1 illustrates environment and forms no part of the claimed design.

(56) **References Cited**

U.S. PATENT DOCUMENTS

555,588 A 3/1896 Spencer
1,278,225 A 9/1918 Schamberg
1,452,258 A 4/1923 Smith
1,464,419 A 8/1923 Gill
1,480,310 A 1/1924 Smith
1,498,267 A 6/1924 Hachman
1,602,742 A 10/1926 Bennet
1,650,686 A 11/1927 Binks
1,669,889 A 5/1928 Andrews et al.
1,681,320 A 8/1928 Bergl et al.

1 Claim, 4 Drawing Sheets



(56)

References Cited

U.S. PATENT DOCUMENTS

D159,872 S	8/1950	Skold	3,809,977 A	5/1974	Balamuth et al.
2,531,730 A	11/1950	Henderson	3,811,432 A	5/1974	Moret
2,595,666 A	5/1952	Hutson	3,820,532 A	6/1974	Eberhardt et al.
2,669,233 A	2/1954	Friend	3,827,147 A	8/1974	Condon
2,709,227 A	5/1955	Foley et al.	3,837,166 A	9/1974	Hiraoka
2,733,713 A	2/1956	Kabnick	3,840,795 A	10/1974	Roszyk et al.
2,783,919 A	3/1957	Ansell	3,847,145 A	11/1974	Grossan
2,794,437 A	6/1957	Tash	3,854,209 A	12/1974	Franklin et al.
2,870,932 A	1/1959	Davis	3,863,628 A	2/1975	Vit
2,984,452 A	5/1961	Hooper	3,871,560 A	3/1975	Crippa
3,089,490 A	5/1963	Goldberg	3,874,506 A	4/1975	Hill et al.
3,096,913 A	7/1963	Jousson	3,912,125 A	10/1975	Acklin
3,144,867 A	8/1964	Trupp et al.	3,943,628 A	3/1976	Kronman et al.
D202,041 S	8/1965	Burzlauff	3,959,883 A	6/1976	Walls et al.
3,209,956 A	10/1965	McKenzie	3,973,558 A	8/1976	Stouffer et al.
3,216,619 A	11/1965	Richards et al.	3,977,084 A	8/1976	Sloan
3,225,759 A	12/1965	Drapen et al.	4,001,526 A	1/1977	Olson
3,227,158 A	1/1966	Mattingly	4,004,302 A	1/1977	Hori
3,266,623 A	8/1966	Poferl	4,007,739 A	2/1977	Bron et al.
3,297,558 A	1/1967	Hillquist	4,013,227 A	3/1977	Herrera
D208,778 S	10/1967	Koch	4,052,002 A	10/1977	Stouffer et al.
D209,202 S	11/1967	Fulton et al.	D246,667 S	12/1977	Mackay et al.
D209,203 S	11/1967	Mattingly et al.	D246,668 S	12/1977	Mackay et al.
D209,204 S	11/1967	St. Clair et al.	4,060,870 A	12/1977	Cannarella
D209,395 S	11/1967	Gilbert	4,075,761 A	2/1978	Behne et al.
D210,018 S	1/1968	Mattingly et al.	4,078,558 A	3/1978	Woog et al.
D210,019 S	1/1968	Johnson et al.	4,094,311 A	6/1978	Hudson
3,370,214 A	2/1968	Aymar	4,108,167 A	8/1978	Hickman et al.
3,391,696 A	7/1968	Woodward	4,108,178 A	8/1978	Betush
3,393,673 A	7/1968	Mattingly et al.	4,109,650 A	8/1978	Peclard
3,400,999 A	9/1968	Goldstein	4,122,845 A	10/1978	Stouffer et al.
3,418,552 A	12/1968	Holmes	4,133,971 A	1/1979	Boyd et al.
3,420,228 A	1/1969	Kalbfeld	4,135,501 A	1/1979	Leunissan
3,425,410 A	2/1969	Cammack	4,141,352 A	2/1979	Ebner et al.
3,453,969 A	7/1969	Mattingly	4,144,646 A	3/1979	Takemoto et al.
3,465,751 A	9/1969	Powers	4,149,315 A	4/1979	Page, Jr. et al.
3,467,083 A	9/1969	Mattingly	4,154,375 A	5/1979	Bippus
3,467,286 A	9/1969	Ostrowsky	4,160,383 A	7/1979	Rauschenberger
D215,920 S	11/1969	McCarty et al.	4,171,572 A	10/1979	Nash
3,487,828 A	1/1970	Troy	4,182,038 A	1/1980	Fleer
3,489,268 A	1/1970	Meierhoefer	4,200,235 A	4/1980	Monschke
3,495,587 A	2/1970	Freedman	4,201,200 A	5/1980	Hubner
3,496,933 A	2/1970	Lloyd	4,210,380 A	7/1980	Brzostek
3,499,440 A	3/1970	Gibbs	4,215,476 A	8/1980	Armstrong
3,500,824 A	3/1970	Gilbert	4,219,618 A	8/1980	Leonard
3,501,203 A	3/1970	Falk	4,227,878 A	10/1980	Lohn
3,502,072 A	3/1970	Stillman	4,229,634 A	10/1980	Hickman et al.
3,517,669 A	6/1970	Buono et al.	4,236,889 A	12/1980	Wright
D218,270 S	8/1970	Soper	D258,097 S	2/1981	Wistrand
3,522,801 A	8/1970	Robinson	4,248,589 A	2/1981	Lewis
3,532,221 A	10/1970	Kaluhiokalani et al.	4,249,899 A	2/1981	Davis
3,536,065 A	10/1970	Moret	4,257,458 A	3/1981	Kondo et al.
3,537,444 A	11/1970	Garn	4,262,799 A	4/1981	Perrett
3,538,950 A	11/1970	Porteners	4,266,934 A	5/1981	Pernot
3,547,110 A	12/1970	Balamuth	4,276,023 A	6/1981	Phillips et al.
3,561,433 A	2/1971	Kovach	4,276,880 A	7/1981	Malmin
D220,334 S	3/1971	Mackay et al.	4,302,186 A	11/1981	Cammack et al.
3,570,525 A	3/1971	Borsum	4,303,064 A	12/1981	Buffa
3,572,375 A	3/1971	Rosenberg	4,303,070 A	12/1981	Ichikawa et al.
3,578,884 A	5/1971	Jacobson	4,306,862 A	12/1981	Knox
D220,996 S	6/1971	Irons	4,315,741 A	2/1982	Reichl
3,583,609 A	6/1971	Oppenheimer	4,319,568 A	3/1982	Tregoning
3,590,813 A	7/1971	Roszyk	4,331,422 A	5/1982	Heyman
3,608,548 A	9/1971	Lewis	4,337,040 A	6/1982	Cammack et al.
D222,862 S	1/1972	Cook	4,340,365 A	7/1982	Pisanu
3,636,947 A	1/1972	Balamuth	4,340,368 A	7/1982	Lococo
3,651,576 A	3/1972	Massa	D266,117 S	9/1982	Oberheim
3,669,101 A	6/1972	Kleiner	4,353,694 A	10/1982	Pelerin
3,703,170 A	11/1972	Ryckman, Jr.	4,363,626 A	12/1982	Schmidt et al.
3,718,974 A	3/1973	Buchtel et al.	4,365,376 A	12/1982	Oda et al.
3,747,595 A	7/1973	Grossan	4,370,131 A	1/1983	Banko
3,768,472 A	10/1973	Hodosh et al.	4,374,354 A	2/1983	Petrovic et al.
3,771,186 A	11/1973	Moret et al.	4,382,167 A	5/1983	Maruyama et al.
3,783,364 A	1/1974	Gallanis et al.	4,382,786 A	5/1983	Lohn
3,809,506 A	5/1974	Malcosky	D270,000 S	8/1983	Ketler
			4,396,011 A	8/1983	Mack et al.
			4,412,823 A	11/1983	Sakai et al.
			4,416,628 A	11/1983	Cammack
			4,442,830 A	4/1984	Markau

(56)

References Cited

U.S. PATENT DOCUMENTS

4,442,831 A	4/1984	Trenary	4,973,250 A	11/1990	Milman
4,452,238 A	6/1984	Kerr	4,975,054 A	12/1990	Esrock
4,454,866 A	6/1984	Fayen	4,979,503 A	12/1990	Chernack
4,512,769 A	4/1985	Kozam et al.	4,979,504 A	12/1990	Mills
4,517,962 A	5/1985	Heckele	4,989,590 A	2/1991	Baum et al.
4,531,912 A	7/1985	Schuss et al.	4,998,880 A	3/1991	Nerli
4,531,913 A	7/1985	Taguchi	5,013,241 A	5/1991	Von Gutfeld et al.
4,534,340 A	8/1985	Kerr et al.	5,014,884 A	5/1991	Wunsch
4,552,130 A	11/1985	Kinoshita	5,019,054 A	5/1991	Clement et al.
4,561,214 A	12/1985	Inoue	5,027,798 A	7/1991	Primiano
D283,374 S	4/1986	Cheuk-Yiu	5,029,576 A	7/1991	Evans, Sr.
4,585,415 A	4/1986	Hommann	5,033,617 A	7/1991	Hartwein et al.
4,591,777 A	5/1986	McCarty et al.	5,033,961 A	7/1991	Kandler et al.
4,592,728 A	6/1986	Davis	D318,918 S	8/1991	Hartwein
4,602,906 A	7/1986	Grunenfelder	5,046,486 A	9/1991	Grulke et al.
4,607,627 A	8/1986	Leber et al.	5,049,071 A	9/1991	Davis et al.
4,613,074 A	9/1986	Schulze	5,060,825 A	10/1991	Palmer et al.
4,619,009 A	10/1986	Rosenstatter	5,061,180 A	10/1991	Wiele
4,619,612 A	10/1986	Weber et al.	5,062,795 A	11/1991	Woog
4,629,425 A	12/1986	Detsch	5,064,168 A	11/1991	Raines et al.
4,636,198 A	1/1987	Stade	D322,314 S	12/1991	Ohbayashi
4,642,037 A	2/1987	Fritchman	5,071,346 A	12/1991	Domaas
4,644,937 A	2/1987	Hommann	5,082,115 A	1/1992	Hutcheson
4,645,488 A	2/1987	Matukas	5,082,443 A	1/1992	Lohn
4,647,831 A	3/1987	O'Malley et al.	5,085,317 A	2/1992	Jensen et al.
4,648,838 A	3/1987	Schlachter	5,086,756 A	2/1992	Powell
4,650,475 A	3/1987	Smith et al.	5,095,893 A	3/1992	Rawden, Jr.
4,655,198 A	4/1987	Hommann	5,098,291 A	3/1992	Curtis et al.
4,669,453 A	6/1987	Atkinson et al.	5,098,676 A	3/1992	Brooks, Jr.
4,672,953 A	6/1987	DiVito	5,100,319 A	3/1992	Baum
4,673,396 A	6/1987	Urbaniak	5,117,871 A	6/1992	Gardner et al.
D291,354 S	8/1987	Camens	5,125,835 A	6/1992	Young
4,716,352 A	12/1987	Hurn et al.	5,127,831 A	7/1992	Bab
4,749,340 A	6/1988	Ikeda et al.	5,142,723 A	9/1992	Lustig et al.
4,770,632 A	9/1988	Ryder et al.	5,150,841 A	9/1992	Silvenis et al.
D298,565 S	11/1988	Kohler, Jr. et al.	5,172,810 A	12/1992	Brewer
4,783,321 A	11/1988	Spence	5,173,273 A	12/1992	Brewer
4,787,845 A	11/1988	Valentine	5,183,035 A	2/1993	Weir
4,787,847 A	11/1988	Martin et al.	5,197,458 A	3/1993	Ito et al.
4,798,292 A	1/1989	Hauze	5,197,460 A	3/1993	Ito et al.
4,803,974 A	2/1989	Powell	5,199,871 A	4/1993	Young
4,804,364 A	2/1989	Dieras et al.	5,203,697 A	4/1993	Malmin
4,810,148 A	3/1989	Aisa et al.	5,203,769 A	4/1993	Clement et al.
4,818,229 A	4/1989	Vasile	5,204,004 A	4/1993	Johnston et al.
4,820,152 A	4/1989	Warrin et al.	5,208,933 A	5/1993	Lustig et al.
4,821,923 A	4/1989	Skorka	5,215,193 A	6/1993	Dennis
4,824,368 A	4/1989	Hickman	5,218,956 A	6/1993	Handler et al.
4,826,431 A	5/1989	Fujimura et al.	5,220,914 A	6/1993	Thompson
4,827,551 A	5/1989	Maser et al.	5,228,646 A	7/1993	Raines
4,832,683 A	5/1989	Idemoto et al.	5,230,624 A	7/1993	Wolf et al.
4,854,869 A	8/1989	Lawhorn	5,232,687 A	8/1993	Geimer
4,861,340 A	8/1989	Smith et al.	5,235,968 A	8/1993	Woog
4,862,876 A	9/1989	Lih-Sheng	5,241,714 A	9/1993	Barry
4,869,720 A	9/1989	Chernack	5,246,367 A	9/1993	Ito et al.
4,880,382 A	11/1989	Moret et al.	5,252,064 A	10/1993	Baum et al.
4,886,452 A	12/1989	Lohn	D341,200 S	11/1993	Yoshimoto
4,900,252 A	2/1990	Liefke et al.	5,257,933 A	11/1993	Jousson
4,902,225 A	2/1990	Lohn	5,261,448 A	11/1993	Furuya et al.
4,903,687 A	2/1990	Lih-Sheng	D341,943 S	12/1993	Si-Hoe
4,906,187 A	3/1990	Amadera	5,267,586 A	12/1993	Jankavaara
4,907,744 A	3/1990	Jousson	5,269,684 A	12/1993	Fischer
4,915,304 A	4/1990	Campani	5,281,137 A	1/1994	Jousson
4,925,450 A	5/1990	Imonti et al.	5,281,139 A	1/1994	Frank et al.
4,928,675 A	5/1990	Thornton	5,282,745 A	2/1994	Wiltrout et al.
4,930,660 A	6/1990	Porteous	5,286,192 A	2/1994	Dixon
4,941,459 A	7/1990	Mathur	5,286,201 A	2/1994	Yu
4,950,159 A	8/1990	Hansen	5,295,832 A	3/1994	Evans
4,958,629 A	9/1990	Peace et al.	5,297,962 A	3/1994	O'Connor et al.
4,958,751 A	9/1990	Curtis et al.	D346,212 S	4/1994	Hosl
4,959,199 A	9/1990	Brewer	5,301,381 A	4/1994	Klupt
4,961,698 A	10/1990	Vlock	5,302,123 A	4/1994	Bechard
4,966,551 A	10/1990	Betush	5,317,691 A	5/1994	Traeger
4,969,874 A	11/1990	Michel et al.	5,321,865 A	6/1994	Kaeser
4,973,246 A	11/1990	Black	5,323,770 A	6/1994	Ito et al.
4,973,247 A	11/1990	Varnes et al.	5,331,704 A	7/1994	Rosen et al.
			5,344,317 A	9/1994	Pacher et al.
			5,346,677 A	9/1994	Risk
			D351,892 S	10/1994	Wolf et al.
			5,360,338 A	11/1994	Waggoner

(56)

References Cited

U.S. PATENT DOCUMENTS

5,368,548 A	11/1994	Jousson	D417,082 S	11/1999	Classen et al.
5,370,534 A	12/1994	Wolf et al.	5,993,402 A	11/1999	Sauer et al.
D354,168 S	1/1995	Hartwein	6,030,215 A	2/2000	Ellion et al.
D354,559 S	1/1995	Knute	6,038,960 A	3/2000	Fukushima et al.
5,378,149 A	1/1995	Stropko	6,039,180 A	3/2000	Grant
5,380,201 A	1/1995	Kawata	6,047,429 A	4/2000	Wu
D356,864 S	3/1995	Woog	D424,181 S	5/2000	Caplow
5,399,089 A	3/1995	Eichman et al.	D425,615 S	5/2000	Bachman et al.
D358,883 S	5/1995	Vos	D425,981 S	5/2000	Bachman et al.
5,456,672 A	10/1995	Diederich et al.	6,056,548 A	5/2000	Neuberger et al.
5,465,445 A	11/1995	Yeh	6,056,710 A	5/2000	Bachman et al.
5,467,495 A	11/1995	Boland et al.	D426,633 S	6/2000	Bachman et al.
5,468,148 A	11/1995	Ricks	6,089,865 A	7/2000	Edgar
5,470,305 A	11/1995	Arnett et al.	6,116,866 A	9/2000	Tomita et al.
5,474,450 A	12/1995	Chronister	6,120,755 A	9/2000	Jacobs
5,474,451 A	12/1995	Dalrymple et al.	6,124,699 A	9/2000	Suzuki et al.
5,476,379 A	12/1995	Disel	D434,500 S	11/2000	Pollock et al.
5,484,281 A	1/1996	Renow et al.	6,159,006 A	12/2000	Cook et al.
5,487,877 A	1/1996	Choi	6,164,967 A	12/2000	Sale et al.
5,490,779 A	2/1996	Malmin	D435,905 S	1/2001	Bachman et al.
5,505,916 A	4/1996	Berry, Jr.	D437,049 S	1/2001	Hartwein
D369,656 S	5/1996	Vos	6,193,512 B1	2/2001	Wallace
D370,125 S	5/1996	Craft et al.	6,193,932 B1	2/2001	Wu et al.
5,525,058 A	6/1996	Gallant et al.	6,199,239 B1	3/2001	Dickerson
5,526,841 A	6/1996	Detsch et al.	6,200,134 B1	3/2001	Kovac
5,540,587 A	7/1996	Malmin	D439,781 S	4/2001	Spore
5,547,374 A	8/1996	Coleman	6,217,835 B1	4/2001	Riley et al.
D373,631 S	9/1996	Maeda et al.	D441,861 S	5/2001	Hafliger
5,554,014 A	9/1996	Becker	6,233,773 B1	5/2001	Karge et al.
5,554,025 A	9/1996	Kinsel	6,234,205 B1	5/2001	D'Amelio et al.
5,556,001 A	9/1996	Weissman et al.	6,237,178 B1	5/2001	Krammer et al.
5,564,629 A	10/1996	Weissman et al.	6,247,929 B1	6/2001	Bachman et al.
D376,893 S	12/1996	Gornet	6,280,190 B1	8/2001	Hoffman
D377,091 S	12/1996	Scott, Sr.	D448,236 S	9/2001	Murray
5,613,259 A	3/1997	Craft et al.	6,293,792 B1	9/2001	Hanson
5,616,028 A	4/1997	Hafele et al.	D449,884 S	10/2001	Tobin et al.
5,626,472 A	5/1997	Pennetta	D453,453 S	2/2002	Lun
5,634,791 A	6/1997	Matsuura et al.	D455,201 S	4/2002	Jones
5,636,987 A	6/1997	Serfaty	D455,203 S	4/2002	Jones
5,640,735 A	6/1997	Manning	6,363,565 B1	4/2002	Paffrath
D382,407 S	8/1997	Craft et al.	D457,949 S	5/2002	Krug
5,653,591 A	8/1997	Loge	D464,799 S	10/2002	Crossman et al.
5,659,995 A	8/1997	Hoffman	6,468,482 B1	10/2002	Frieze et al.
5,667,483 A	9/1997	Santos	6,475,173 B1	11/2002	Bachman et al.
D386,576 S	11/1997	Wang et al.	6,485,451 B1	11/2002	Roberts et al.
5,683,192 A	11/1997	Kilfoil	6,497,375 B1	12/2002	Srinath et al.
5,685,829 A	11/1997	Allen	6,497,572 B2	12/2002	Hood et al.
5,685,851 A	11/1997	Murphy et al.	D468,422 S *	1/2003	McCurrach D24/111
5,697,784 A	12/1997	Hafele et al.	6,502,584 B1	1/2003	Fordham
D388,612 S	1/1998	Stutzer et al.	D470,660 S	2/2003	Schaber
D388,613 S	1/1998	Stutzer et al.	6,532,837 B1	3/2003	Magussen, Jr.
D389,091 S	1/1998	Dickinson	6,558,344 B2	5/2003	McKinnon et al.
5,709,545 A	1/1998	Johnston et al.	6,561,808 B2	5/2003	Neuberger et al.
D390,934 S	2/1998	McKeone	D475,346 S	6/2003	McCurrach et al.
5,716,007 A	2/1998	Nottingham et al.	D476,743 S	7/2003	D'Silva
5,718,668 A	2/1998	Arnett et al.	6,589,477 B1	7/2003	Frieze et al.
5,746,595 A	5/1998	Ford	6,602,071 B1	8/2003	Ellion et al.
5,749,726 A	5/1998	Kinsel	6,632,091 B1	10/2003	Cise et al.
5,759,502 A	6/1998	Spencer et al.	D482,451 S	11/2003	Page et al.
5,779,471 A	7/1998	Tseng et al.	6,640,999 B2	11/2003	Peterson
5,779,654 A	7/1998	Foley et al.	6,647,577 B2	11/2003	Tam
5,795,153 A	8/1998	Rechmann	6,659,674 B2	12/2003	Carlucci et al.
5,796,325 A	8/1998	Lundell et al.	6,663,386 B1	12/2003	Moelsgaard
5,833,065 A	11/1998	Burgess	6,669,059 B2	12/2003	Mehta
5,836,030 A	11/1998	Hazeu et al.	D484,971 S	1/2004	Hartwein
D402,744 S	12/1998	Zuege	6,681,418 B1	1/2004	Bierend
5,851,079 A	12/1998	Horstman et al.	D486,573 S	2/2004	Callaghan et al.
D403,511 S	1/1999	Serbinski	6,689,078 B1	2/2004	Rehkemper et al.
D406,334 S	3/1999	Rosenthal et al.	6,699,208 B2	3/2004	Bachman et al.
5,876,201 A	3/1999	Wilson et al.	6,719,561 B2	4/2004	Gugel et al.
D408,511 S	4/1999	Allen et al.	D489,183 S	5/2004	Akahori et al.
5,901,397 A	5/1999	Häfele et al.	6,739,782 B1	5/2004	Rehkemper et al.
5,934,902 A	8/1999	Abahusayn	6,740,053 B2	5/2004	Kaplowitz
D413,975 S	9/1999	Maeda	D490,899 S	6/2004	Gagnon
D416,999 S	11/1999	Miyamoto	D491,728 S	6/2004	Jimenez
			D492,996 S	7/2004	Rehkemper et al.
			6,761,324 B2	7/2004	Chang
			6,766,549 B2	7/2004	Klupt
			D495,142 S	8/2004	Berde

(56)

References Cited

U.S. PATENT DOCUMENTS

D495,143 S	8/2004	Berde		D653,340 S	1/2012	Goerge et al.	
6,779,216 B2	8/2004	Davies et al.		8,113,832 B2	2/2012	Snyder et al.	
6,783,004 B1	8/2004	Rinner		D655,380 S	3/2012	Taylor	
6,783,505 B1	8/2004	Lai		D658,381 S	5/2012	Gebski	
6,796,796 B2	9/2004	Segal		D658,538 S	5/2012	Korzeniowski	
6,808,331 B2	10/2004	Hall et al.		8,220,726 B2	7/2012	Qiu et al.	
D498,643 S	11/2004	Pryor		D666,912 S	9/2012	Kawai	
6,814,259 B1	11/2004	Foster et al.		8,256,979 B2	9/2012	Hilscher et al.	
D499,885 S	12/2004	Xi		D668,339 S	10/2012	Luoto	
6,835,181 B2	12/2004	Hippensteel		D669,169 S	10/2012	Washington et al.	
D500,599 S	1/2005	Callaghan		8,297,534 B2	10/2012	Li et al.	
6,836,917 B2	1/2005	Blaustein et al.		D670,373 S	11/2012	Taylor et al.	
6,837,708 B2	1/2005	Chen et al.		D670,958 S	11/2012	Picozza et al.	
6,884,069 B2	4/2005	Goldman		D671,637 S	11/2012	Gebski et al.	
6,902,337 B1	6/2005	Kuo		D672,018 S	12/2012	Bucher	
6,907,879 B2	6/2005	Drinan et al.		8,366,024 B2	2/2013	Leber et al.	
D509,585 S	9/2005	Kling et al.		8,403,577 B2	3/2013	Khoshnevis	
D513,638 S	1/2006	Pan		8,403,665 B2	3/2013	Thomas et al.	
D515,215 S	2/2006	Wang		8,408,483 B2	4/2013	Boyd et al.	
D522,652 S	6/2006	Massey		8,418,300 B2	4/2013	Miller et al.	
7,080,980 B2	7/2006	Klupt		D686,311 S	7/2013	Mori	
D529,661 S	10/2006	Schmidt		D694,378 S	11/2013	Bates	
D530,010 S	10/2006	Luetzgen et al.		D694,398 S	11/2013	Taylor	
7,117,555 B2	10/2006	Fattori et al.		D700,343 S	2/2014	Liu	
D532,570 S	11/2006	Vizcarra		D702,819 S	4/2014	Garland	
7,131,838 B2	11/2006	Suzuki et al.		D702,821 S	4/2014	Garland	
D533,720 S	12/2006	Vu		D707,350 S	6/2014	Woodard	
7,147,468 B2	12/2006	Snyder et al.		D709,183 S	7/2014	Kemlein	
D538,474 S	3/2007	Sheppard et al.		D714,929 S	10/2014	Kim et al.	
D548,334 S	8/2007	Izumi		D714,930 S	10/2014	Kim et al.	
D550,097 S	9/2007	Lepoitevin		D717,412 S	11/2014	Bucher	
D553,980 S	10/2007	VerWeyst		D717,427 S	11/2014	Kim	
7,276,035 B2	10/2007	Lu		D717,547 S *	11/2014	Adriaenssen	D4/101
7,314,456 B2	1/2008	Shaw		D718,855 S	12/2014	Kim et al.	
D563,674 S *	3/2008	Beedham	D4/101	D719,737 S *	12/2014	Adriaenssen	D4/101
D565,175 S	3/2008	Boyd et al.		D723,387 S	3/2015	Fath	
7,344,510 B1	3/2008	Yande		D725,770 S	3/2015	Kim et al.	
D565,713 S	4/2008	Gao		D731,640 S	6/2015	Kim et al.	
7,367,803 B2	5/2008	Egeresi		D735,305 S	7/2015	Obara	
D574,952 S	8/2008	Boyd et al.		D740,936 S	10/2015	Kim et al.	
7,414,337 B2	8/2008	Wilkinson et al.		D745,329 S	12/2015	Ong	
D577,198 S	9/2008	Jimenez		D745,423 S	12/2015	Khattak	
D577,814 S	9/2008	Seki et al.		D746,975 S	1/2016	Schenck	
D581,279 S	11/2008	Oates		D747,464 S	1/2016	Taylor	
7,455,521 B2	11/2008	Fishburne, Jr.		D754,330 S	4/2016	Kim et al.	
7,469,440 B2	12/2008	Boland et al.		D756,122 S	5/2016	Taylor	
D585,132 S	1/2009	Pukall		D764,051 S	8/2016	Wang	
D588,262 S	3/2009	Pukall		D766,423 S	9/2016	Kim et al.	
7,500,584 B2	3/2009	Schutz		D772,396 S	11/2016	Kim et al.	
D590,492 S	4/2009	Powell		D772,397 S	11/2016	Kim et al.	
D592,748 S	5/2009	Boulton		D773,822 S *	12/2016	Sikora	D4/101
D595,136 S	6/2009	Canamasas Puigbo		D774,651 S	12/2016	Kaib	
D601,694 S	10/2009	Rocklin		D776,253 S	1/2017	Li	
D601,697 S	10/2009	Sobeich et al.		D782,326 S	3/2017	Fath	
D603,708 S	11/2009	Handy		D782,656 S	3/2017	Au	
D608,430 S	1/2010	Slothower		D782,657 S *	3/2017	Williams	D24/111
7,670,141 B2	3/2010	Thomas et al.		D786,422 S	5/2017	Au	
7,677,888 B1	3/2010	Halm		9,642,677 B2	5/2017	Luetzgen et al.	
D613,550 S	4/2010	Picozza et al.		D788,907 S	6/2017	Kim	
D621,949 S	8/2010	Seki et al.		D790,859 S *	7/2017	McGarry	D4/101
D622,928 S	9/2010	Griebel		D798,440 S	9/2017	Kim	
D623,376 S	9/2010	Griebel		D799,217 S *	10/2017	Massee	D4/101
D625,105 S *	10/2010	Winkler	D4/101	D802,119 S	11/2017	Kim	
D625,406 S	10/2010	Seki et al.		D809,650 S	2/2018	Kim	
7,814,585 B1	10/2010	Reich		2002/0090252 A1	7/2002	Hall et al.	
D626,647 S	11/2010	Amborn		2002/0108193 A1	8/2002	Gruber	
D629,884 S	12/2010	Stephens		2002/0119415 A1	8/2002	Bailey	
7,857,623 B2	12/2010	Greze		2002/0152565 A1	10/2002	Klupt	
7,862,536 B2	1/2011	Chen et al.		2003/0060743 A1	3/2003	Chang	
7,959,597 B2	6/2011	Baker et al.		2003/0098249 A1	5/2003	Rollock	
D640,872 S	7/2011	Nanda		2003/0162146 A1	8/2003	Shortt et al.	
D648,539 S	11/2011	Wai		2003/0204155 A1	10/2003	Egeresi	
D648,941 S *	11/2011	Leung	D4/101	2003/0213075 A1	11/2003	Hui et al.	
D651,409 S	1/2012	Papenfu		2004/0045107 A1	3/2004	Egeresi	
D651,805 S *	1/2012	Hay	D4/101	2004/0076921 A1	4/2004	Gofman et al.	
				2004/0122377 A1	6/2004	Fischer et al.	
				2004/0126730 A1	7/2004	Panagotacos	
				2004/0180569 A1	10/2004	Chiou	
				2004/0209222 A1	10/2004	Snyder	

(56)

References Cited

U.S. PATENT DOCUMENTS

2005/0049620	A1	3/2005	Chang	2010/0326536	A1	12/2010	Nan	
2005/0064371	A1	3/2005	Soukos et al.	2010/0330527	A1	12/2010	Boyd et al.	
2005/0101894	A1	5/2005	Hippensteel	2011/0027749	A1	2/2011	Syed	
2005/0102773	A1	5/2005	Obermann et al.	2011/0076090	A1	3/2011	Wu et al.	
2005/0144745	A1	7/2005	Russell	2011/0097683	A1	4/2011	Boyd et al.	
2005/0177079	A1	8/2005	Pan	2011/0139826	A1	6/2011	Hair et al.	
2005/0271531	A1	12/2005	Brown et al.	2011/0144588	A1	6/2011	Taylor et al.	
2006/0008373	A1	1/2006	Schutz	2011/0184341	A1	7/2011	Baker et al.	
2006/0010624	A1	1/2006	Cleland	2011/0307039	A1	12/2011	Cornell	
2006/0026784	A1	2/2006	Moskovich et al.	2012/0021374	A1	1/2012	Cacka et al.	
2006/0057539	A1	3/2006	Sodo	2012/0045730	A1	2/2012	Snyder et al.	
2006/0078844	A1	4/2006	Goldman et al.	2012/0064480	A1	3/2012	Hegemann	
2006/0079818	A1	4/2006	Yande	2012/0077145	A1	3/2012	Tsurukawa	
2006/0207052	A1	9/2006	Tran	2012/0141952	A1	6/2012	Snyder et al.	
2007/0082316	A1	4/2007	Zhadanov et al.	2012/0179118	A1	7/2012	Hair	
2007/0082317	A1	4/2007	Chuang	2012/0189976	A1	7/2012	McDonough et al.	
2007/0113360	A1	5/2007	Tsai	2012/0266396	A1	10/2012	Leung	
2007/0202459	A1	8/2007	Boyd et al.	2012/0277663	A1	11/2012	Millman et al.	
2007/0203439	A1	8/2007	Boyd et al.	2012/0277677	A1	11/2012	Taylor et al.	
2007/0254260	A1	11/2007	Alden	2012/0277678	A1	11/2012	Taylor et al.	
2008/0189951	A1	8/2008	Molema et al.	2012/0279002	A1	11/2012	Sokol et al.	
2008/0213719	A1	9/2008	Giniger et al.	2012/0295220	A1	11/2012	Thomas et al.	
2008/0253906	A1	10/2008	Strong	2013/0089832	A1	4/2013	Lee	
2009/0070949	A1	3/2009	Sagel et al.	2013/0295520	A1	11/2013	Hsieh	
2009/0071267	A1	3/2009	Mathus et al.	2014/0106296	A1*	4/2014	Woodard	A61C 15/046 433/80
2009/0082706	A1	3/2009	Shaw	2014/0193774	A1	7/2014	Snyder et al.	
2009/0124945	A1	5/2009	Reich et al.	2014/0259474	A1	9/2014	Sokol et al.	
2009/0139351	A1	6/2009	Reichmuth	2014/0272769	A1	9/2014	Luetzgen et al.	
2009/0163839	A1	6/2009	Alexander	2014/0272782	A1	9/2014	Luetzgen et al.	
2009/0188780	A1	7/2009	Watanabe	2014/0352088	A1	12/2014	Wu	
2009/0281454	A1	11/2009	Baker et al.	2015/0004559	A1	1/2015	Luetzgen et al.	
2010/0010524	A1	1/2010	Barrington	2015/0147717	A1	5/2015	Taylor et al.	
2010/0015566	A1	1/2010	Shaw	2015/0173850	A1	6/2015	Garrigues et al.	
2010/0049177	A1	2/2010	Boone, III et al.	2015/0182319	A1	7/2015	Wagner et al.	
2010/0190132	A1	7/2010	Taylor et al.	2015/0282909	A1	10/2015	Roberts et al.	
2010/0239998	A1	9/2010	Snyder et al.	2016/0100921	A1	4/2016	Ungar	
2010/0261134	A1	10/2010	Boyd et al.	2016/0151133	A1	6/2016	Luetzgen et al.	
2010/0261137	A1	10/2010	Boyd et al.	2017/0049530	A1	2/2017	Cacka	
				2017/0239132	A1	8/2017	Luetzgen et al.	

* cited by examiner

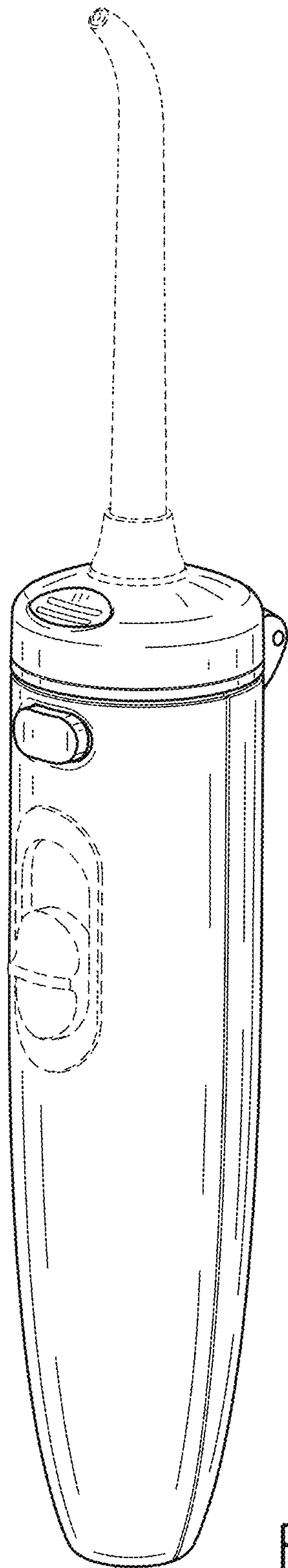


FIG. 1

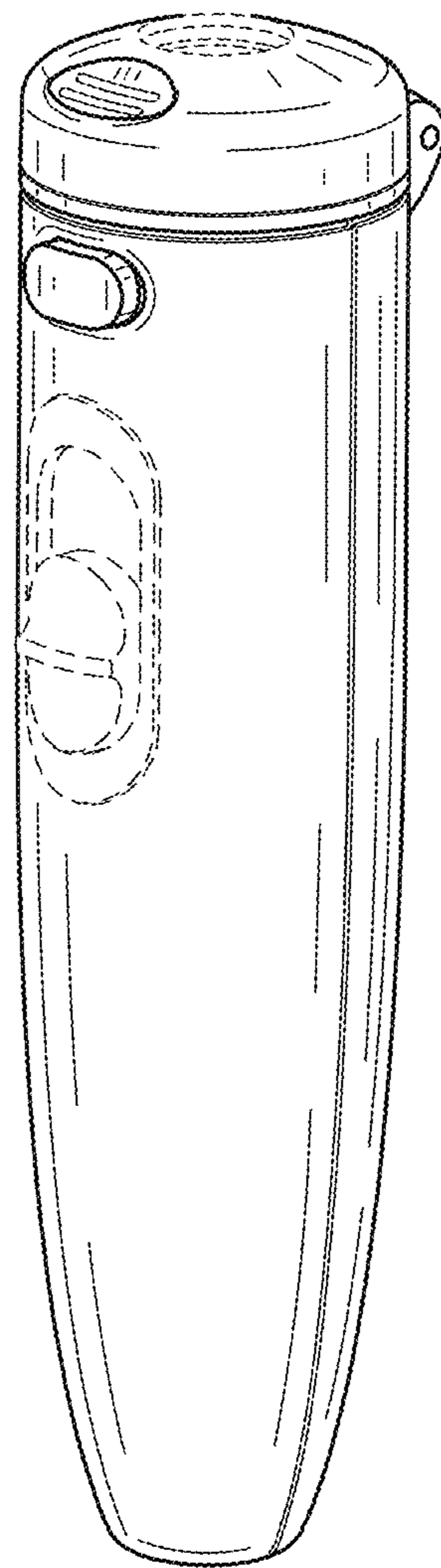


FIG. 2

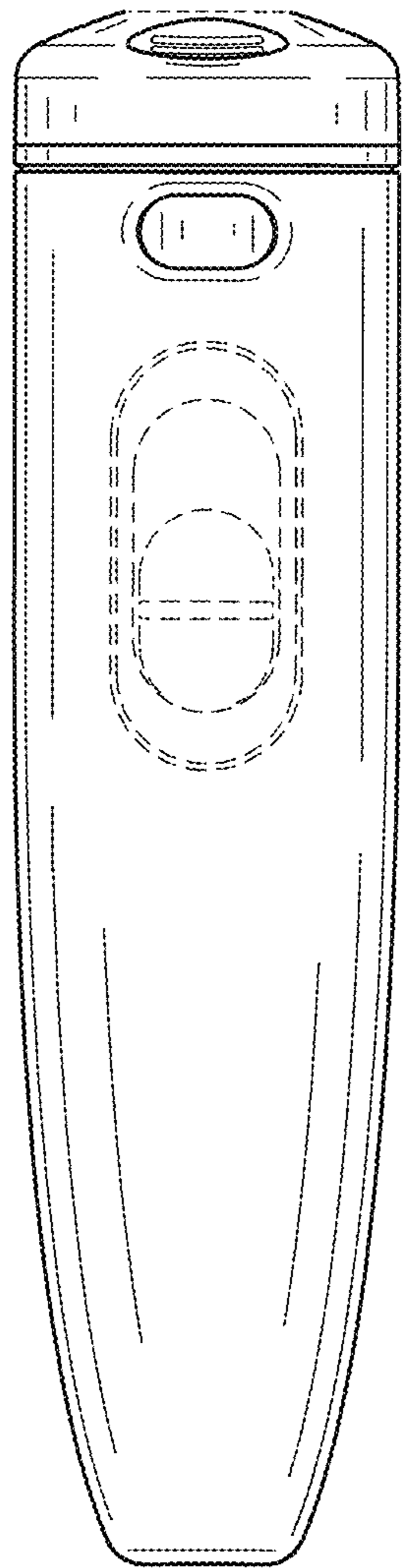


FIG. 3

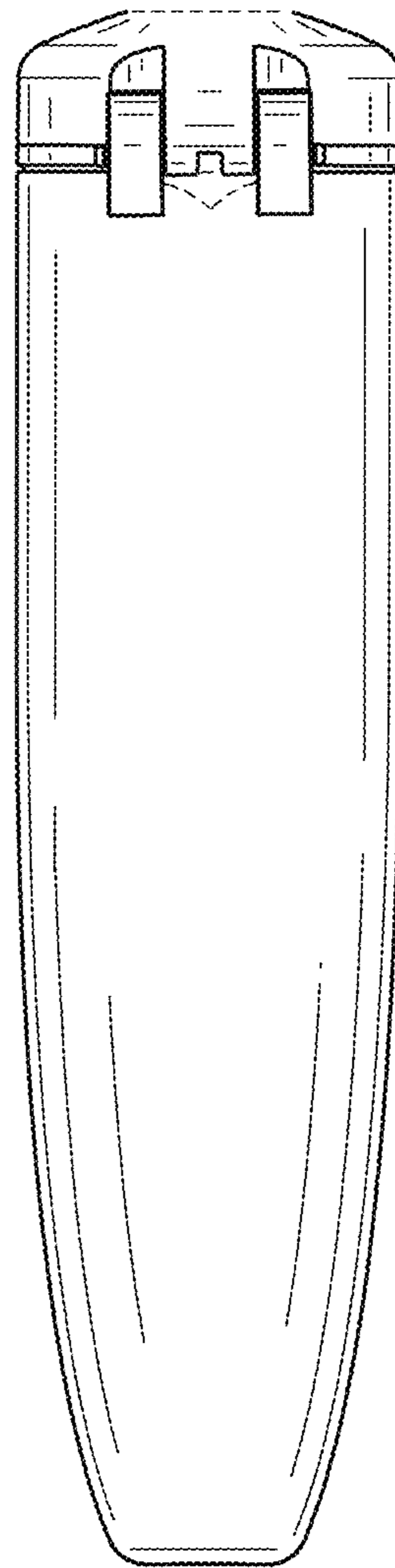


FIG. 4

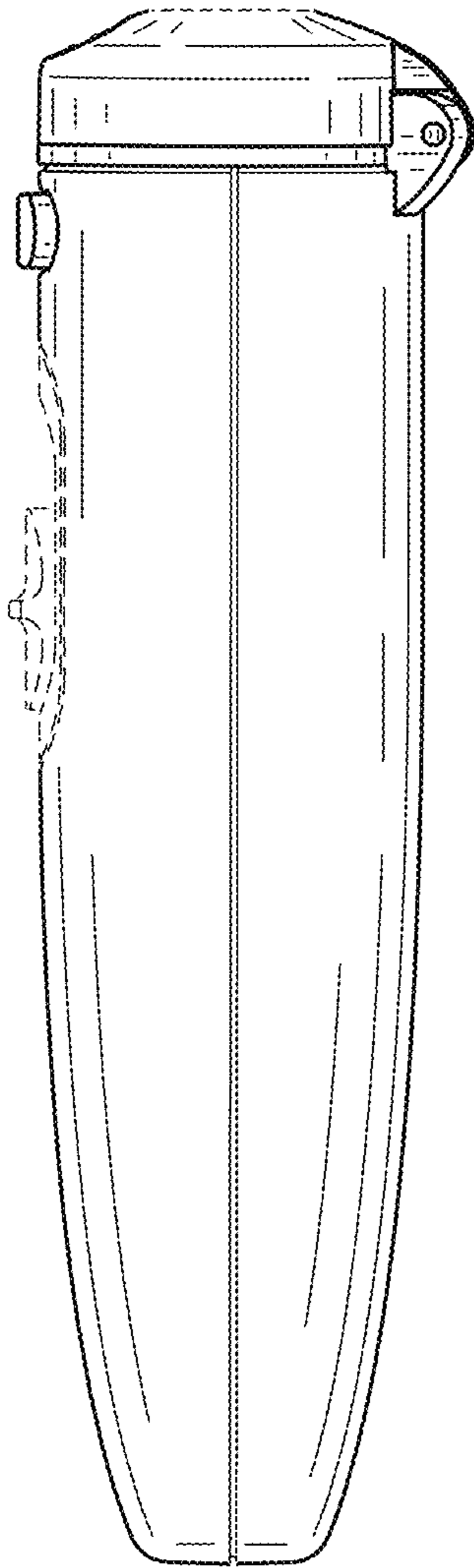


FIG. 5

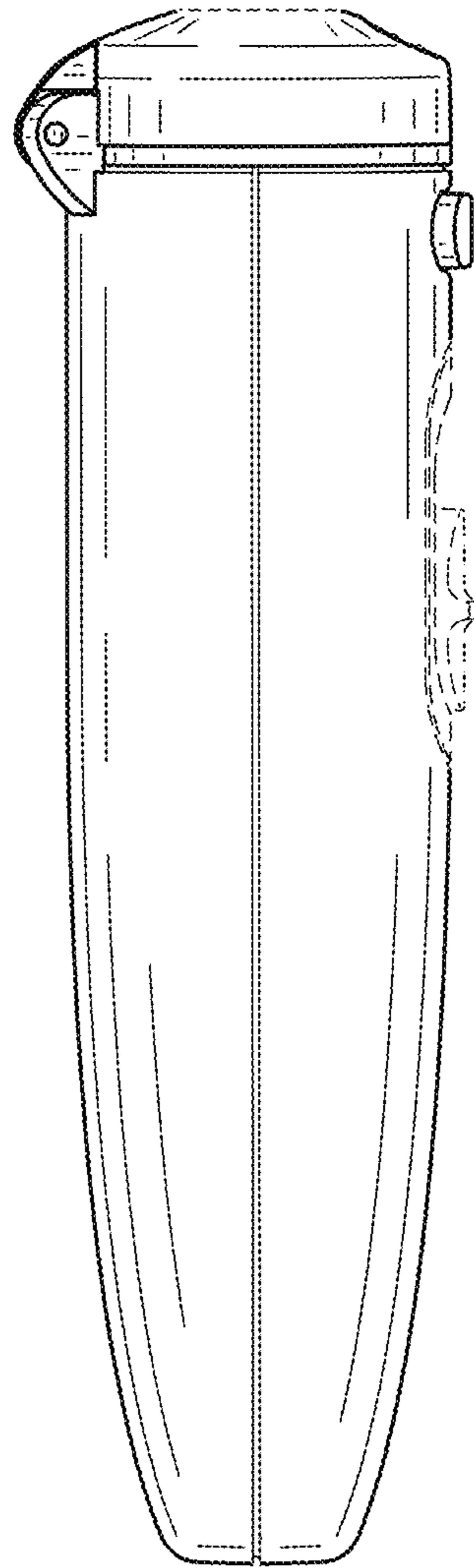


FIG. 6

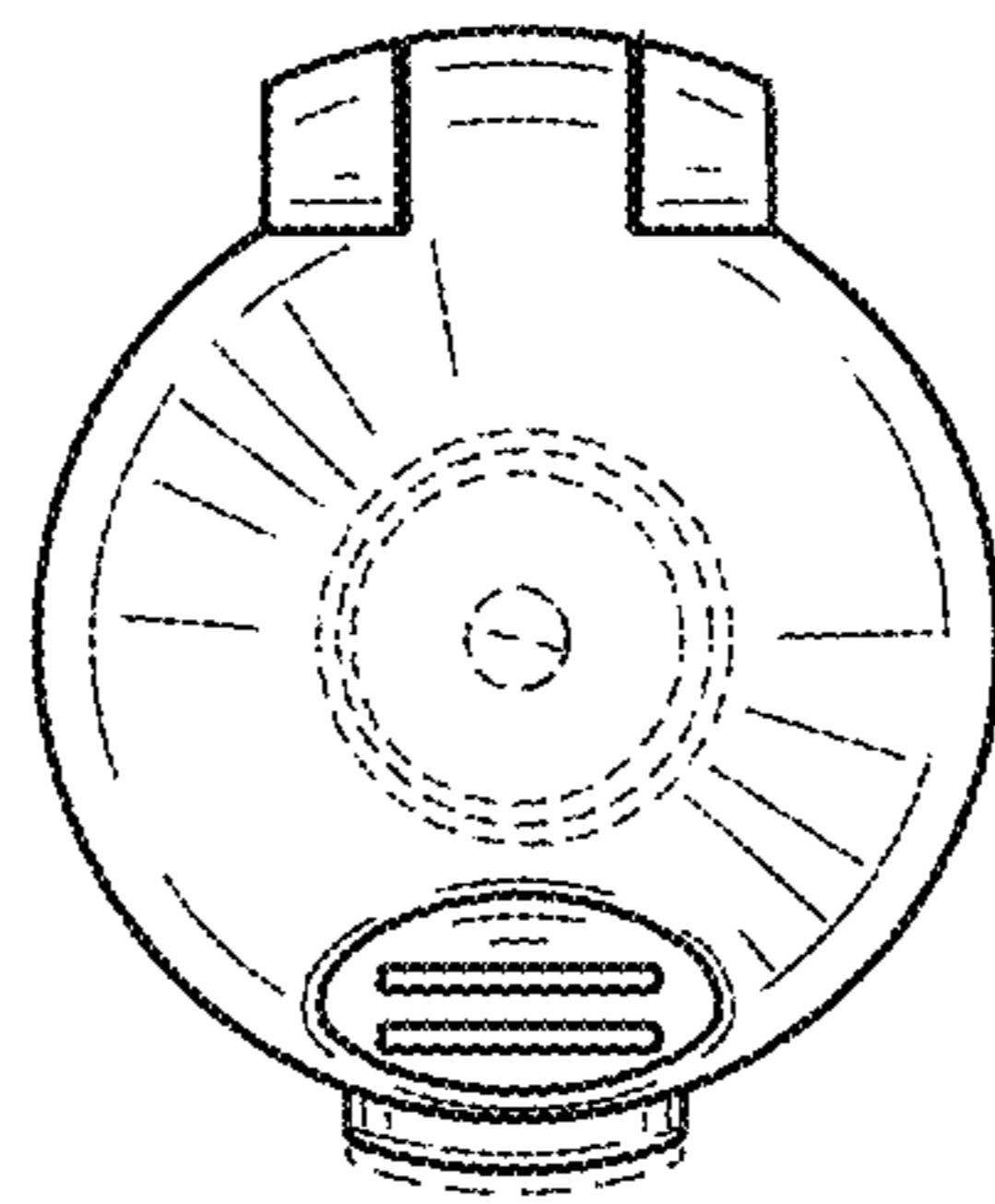


FIG. 7

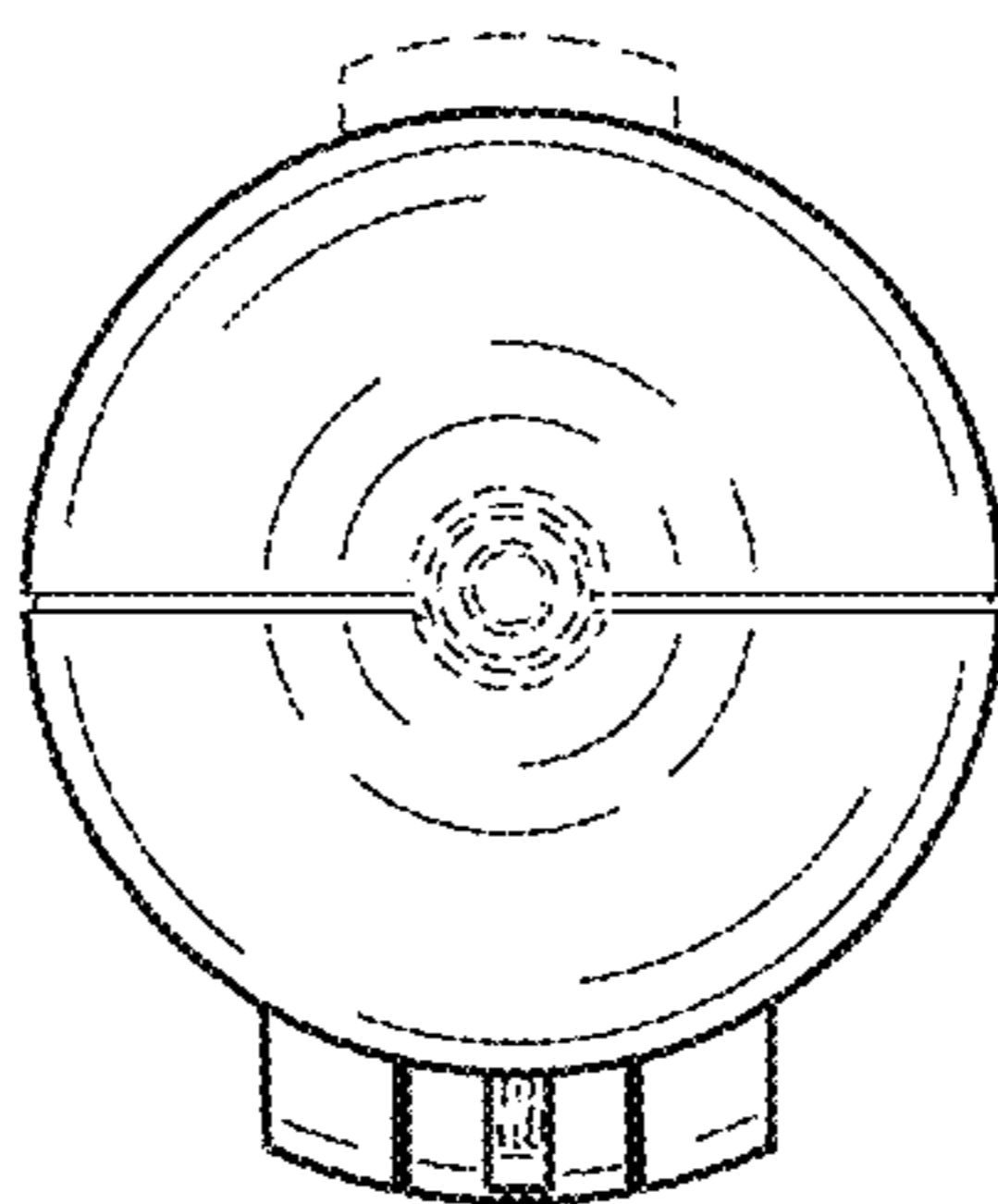


FIG. 8