



US00D870266S

(12) **United States Design Patent**  
**Bornholdt et al.**

(10) **Patent No.:** **US D870,266 S**

(45) **Date of Patent:** **\*\* Dec. 17, 2019**

- (54) **HEADGEAR FOR A PATIENT INTERFACE**
- (71) Applicant: **Fisher & Paykel Healthcare Limited**,  
Auckland (NZ)
- (72) Inventors: **Melissa Catherine Bornholdt**,  
Auckland (NZ); **Simon Mittermeier**,  
Auckland (NZ); **Dana Willfroth**,  
Auckland (NZ); **Bruce Michael Walls**,  
Auckland (NZ)
- (73) Assignee: **Fisher & Paykel Healthcare Limited**,  
Auckland (NZ)
- (\*\*) Term: **15 Years**
- (21) Appl. No.: **29/602,682**
- (22) Filed: **May 2, 2017**
- (51) **LOC (12) Cl.** ..... **29-02**
- (52) **U.S. Cl.**  
USPC ..... **D24/110.1**
- (58) **Field of Classification Search**  
USPC ..... D24/110.1–110.5, 127–128; D29/108,  
D29/122  
CPC ..... A61M 16/0622; A61M 16/0616; A61M  
16/0605; A61M 16/0644; A61M 16/0633;  
A61M 16/06; A61M 16/0683  
See application file for complete search history.

(56) **References Cited**

**U.S. PATENT DOCUMENTS**

- D693,459 S \* 11/2013 Prentice ..... D24/110.1
- D695,887 S 12/2013 Ozolins et al.
- D706,413 S \* 6/2014 Veliss ..... D24/110.1
- D740,934 S 10/2015 Formica et al.
- D769,440 S 10/2016 Amarasinghe et al.
- 9,539,403 B2 1/2017 Eves et al.
- D782,030 S \* 3/2017 Prentice ..... D24/110.4
- D782,655 S 3/2017 Blanch et al.
- D784,515 S \* 4/2017 Prentice ..... D24/110.1

- 9,744,385 B2 8/2017 Henry et al.
- D797,277 S 9/2017 Blanch et al.
- D810,277 S 2/2018 Amarasinghe et al.
- D837,971 S \* 1/2019 Prentice ..... D24/110.1
- 10,207,072 B2 \* 2/2019 Dunn ..... A61M 16/0683
- 10,335,568 B2 \* 7/2019 Amarasinghe .... A61M 16/0666
- 2014/0096774 A1 \* 4/2014 Olsen ..... A61M 16/06  
128/205.25
- 2015/0000671 A1 1/2015 Frerichs et al.
- 2016/0250436 A1 \* 9/2016 Brown ..... A61M 16/0683  
128/206.21

(Continued)

*Primary Examiner* — Lilyana Bekic

(74) *Attorney, Agent, or Firm* — Knobbe, Martens, Olson  
& Bear, LLP

(57) **CLAIM**

The ornamental design for a headgear for a patient interface,  
as shown and described.

**DESCRIPTION**

FIG. 1 is a front, top and right side perspective view of the headgear for a patient interface in a laid flat non-use configuration.

FIG. 2 is a rear view thereof.

FIG. 3 is a front view thereof.

FIG. 4 is a top view thereof.

FIG. 5 is a bottom view thereof.

FIG. 6 is a left side view thereof.

FIG. 7 is a right side view thereof.

FIG. 8 is a front, top and right side perspective view of the headgear for a patient interface of FIGS. 1 to 7 arranged in an in use configuration to wrap around a user's head.

FIG. 9 is a front view thereof.

FIG. 10 is a rear view thereof.

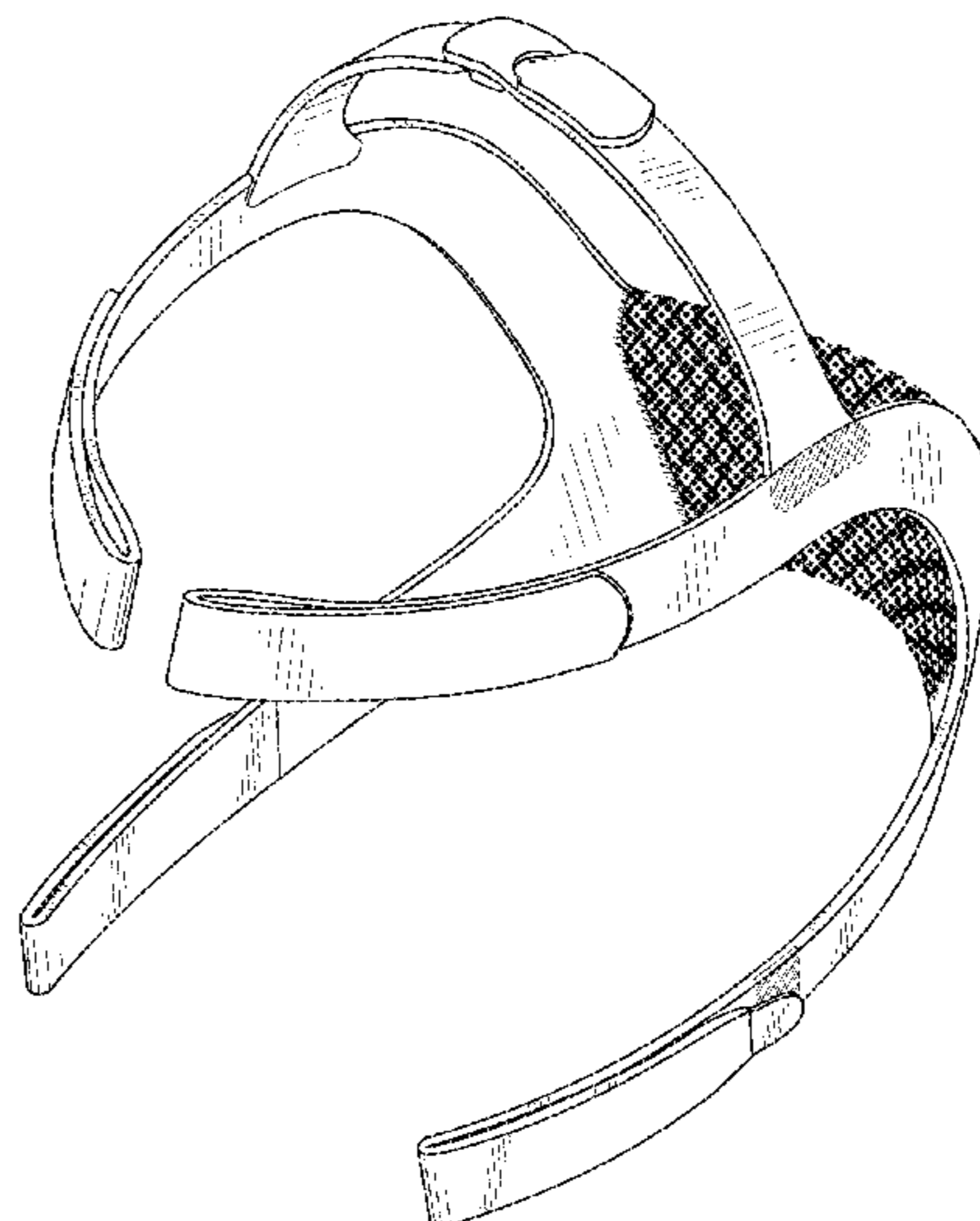
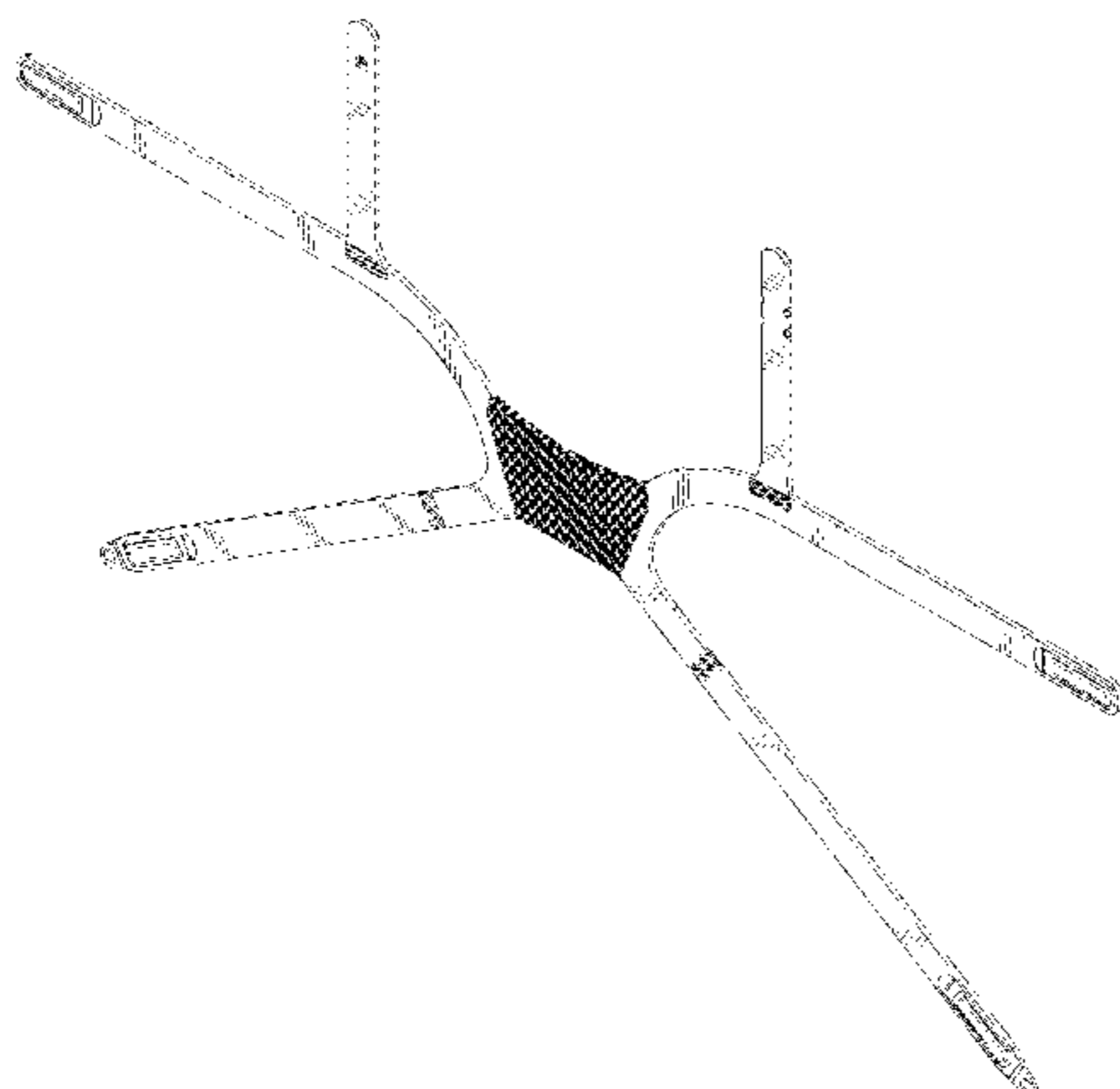
FIG. 11 is a top view thereof.

FIG. 12 is a bottom view thereof.

FIG. 13 is a left side view thereof; and,

FIG. 14 is a right side view thereof.

**1 Claim, 14 Drawing Sheets**



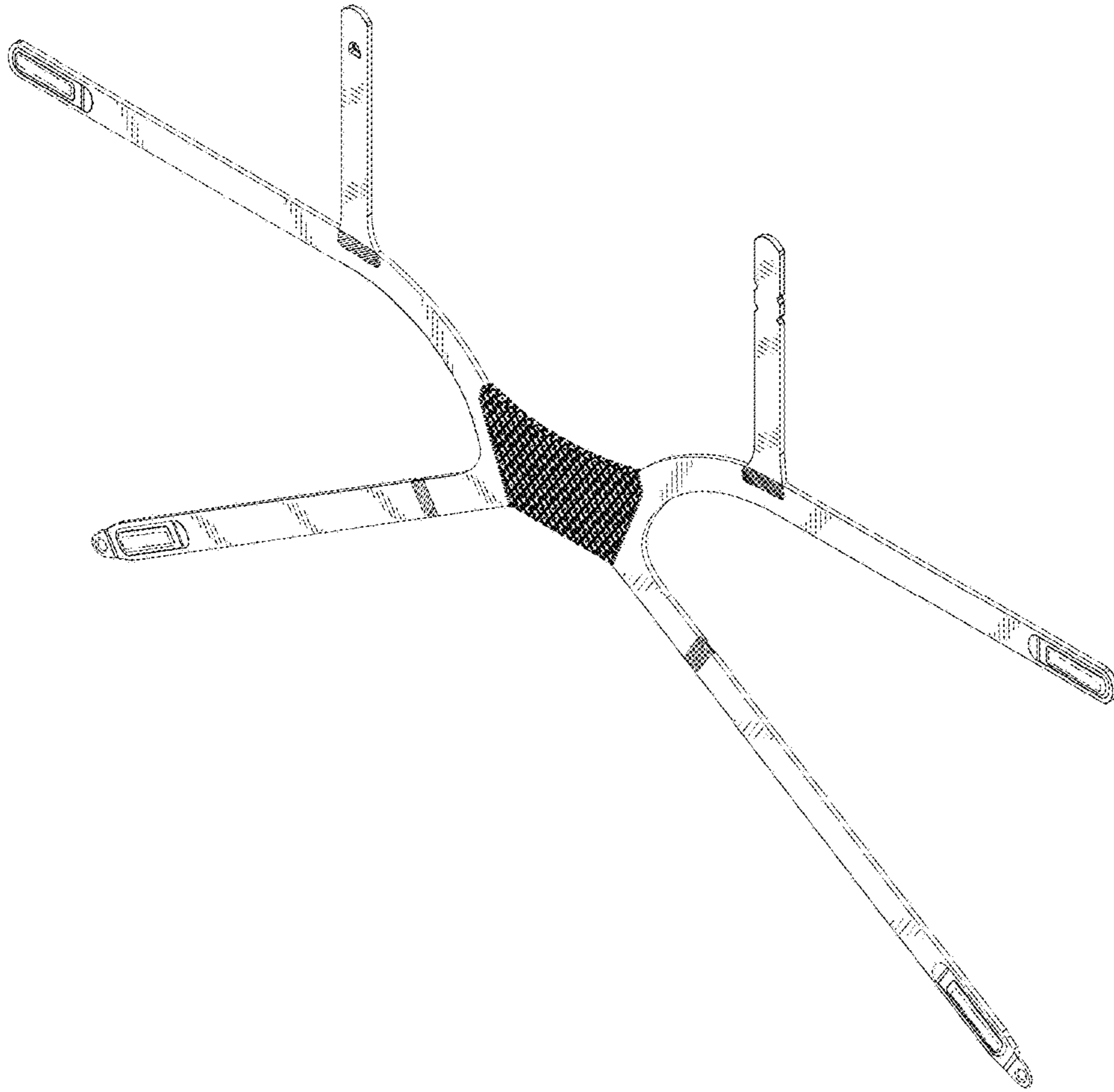
(56)

**References Cited**

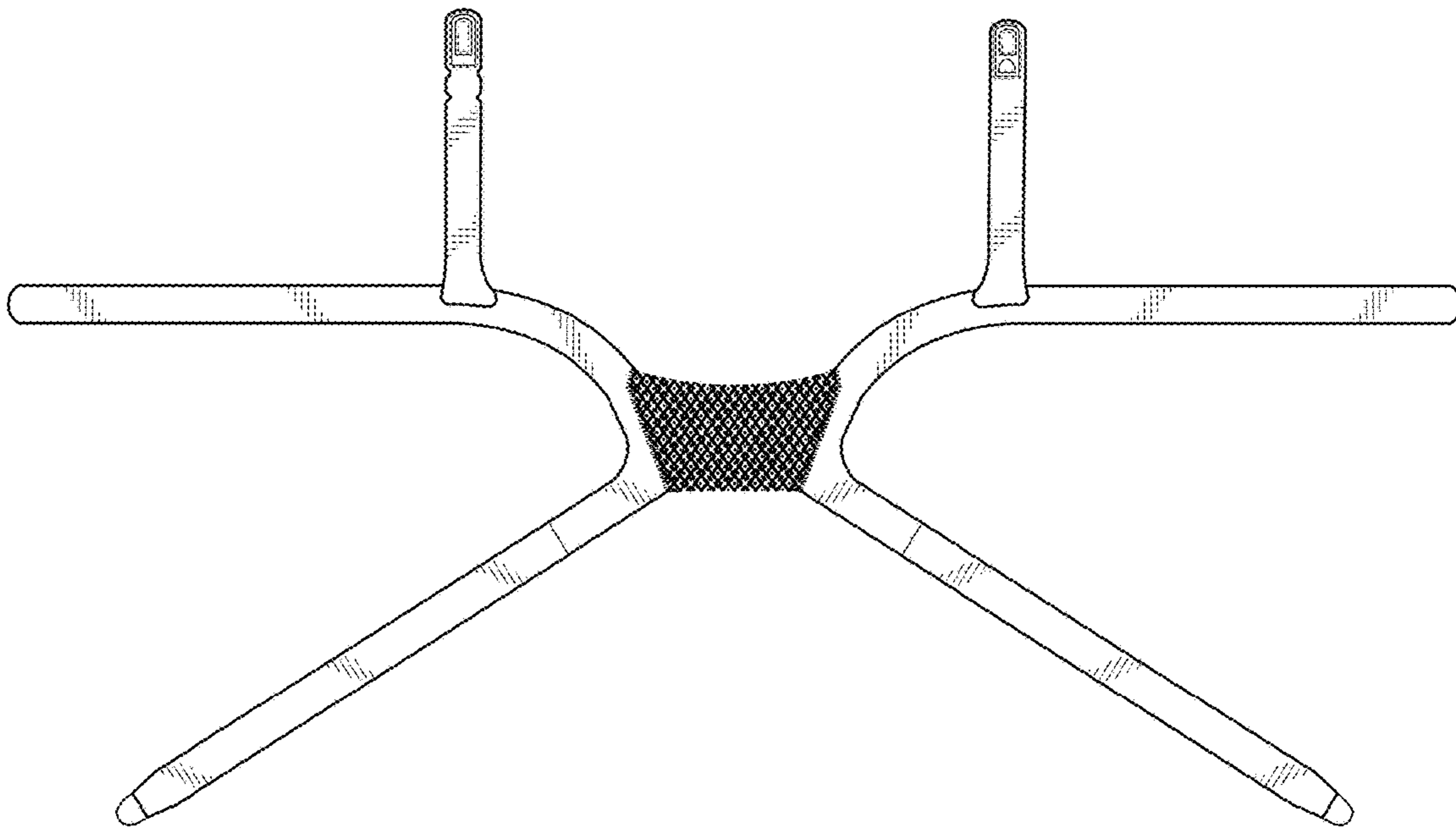
U.S. PATENT DOCUMENTS

2016/0325067 A1 11/2016 Harwood et al.  
2016/0354572 A1\* 12/2016 Lim ..... A61M 16/0616  
2017/0065786 A1\* 3/2017 Stephenson ..... A61M 16/06  
2017/0157353 A1 6/2017 Olsen et al.  
2018/0008794 A1 1/2018 Salmon et al.  
2018/0036505 A1\* 2/2018 Bornholdt ..... A61M 16/0683  
2019/0143072 A1\* 5/2019 Arrowsmith ..... A61M 16/208

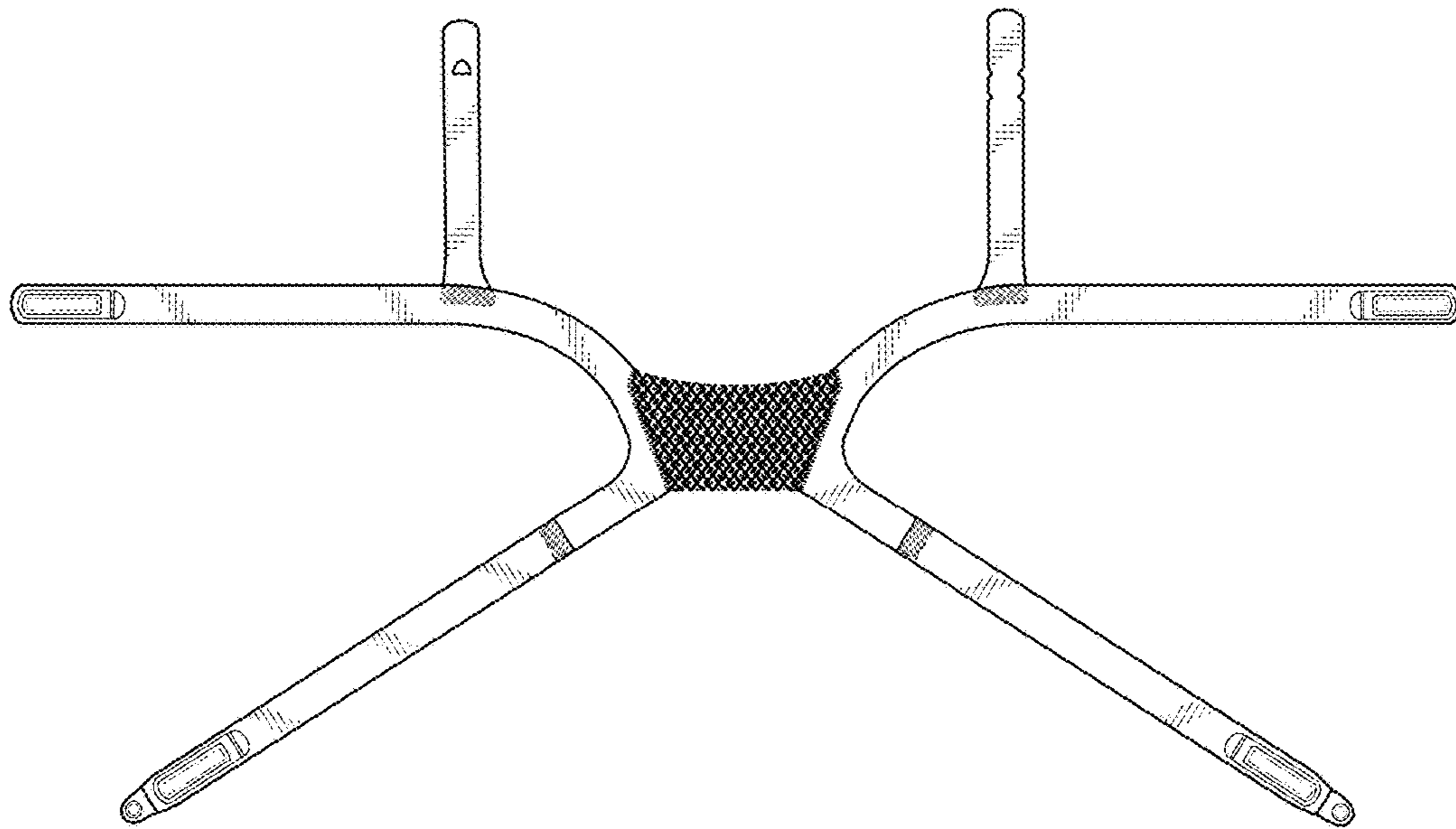
\* cited by examiner



**FIG. 1**



*FIG. 2*



*FIG. 3*



*FIG. 4*



*FIG. 5*

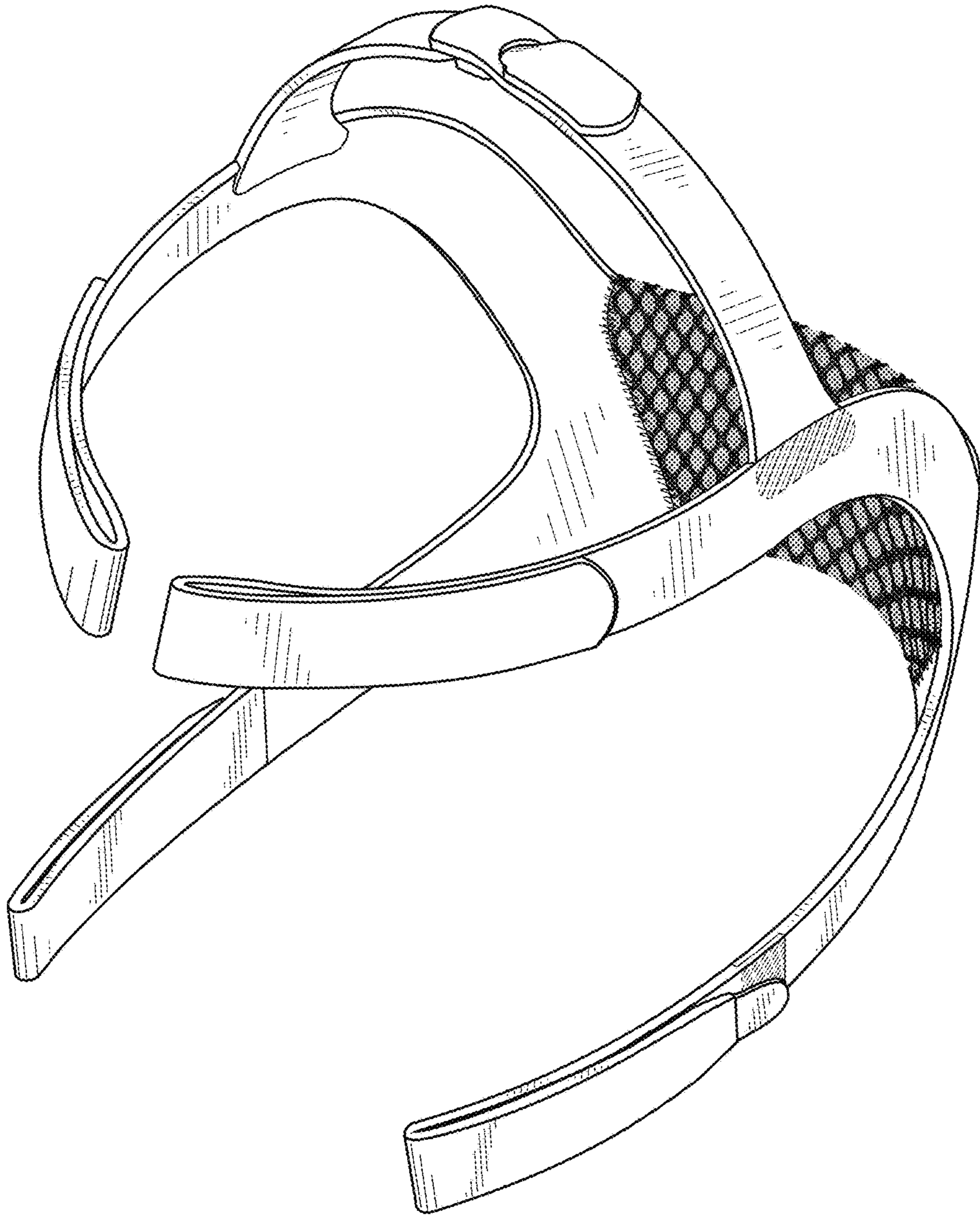


***FIG. 6***

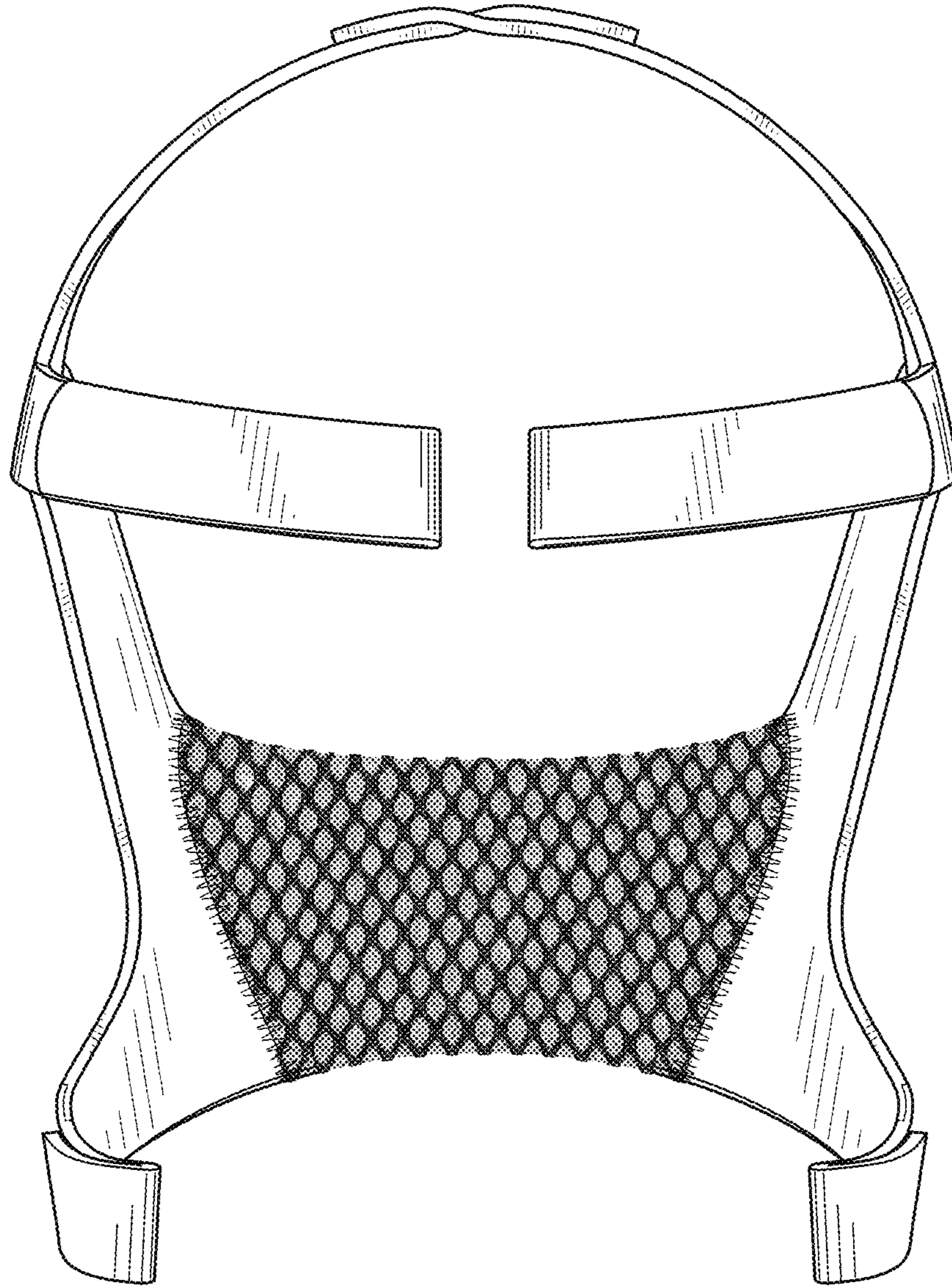




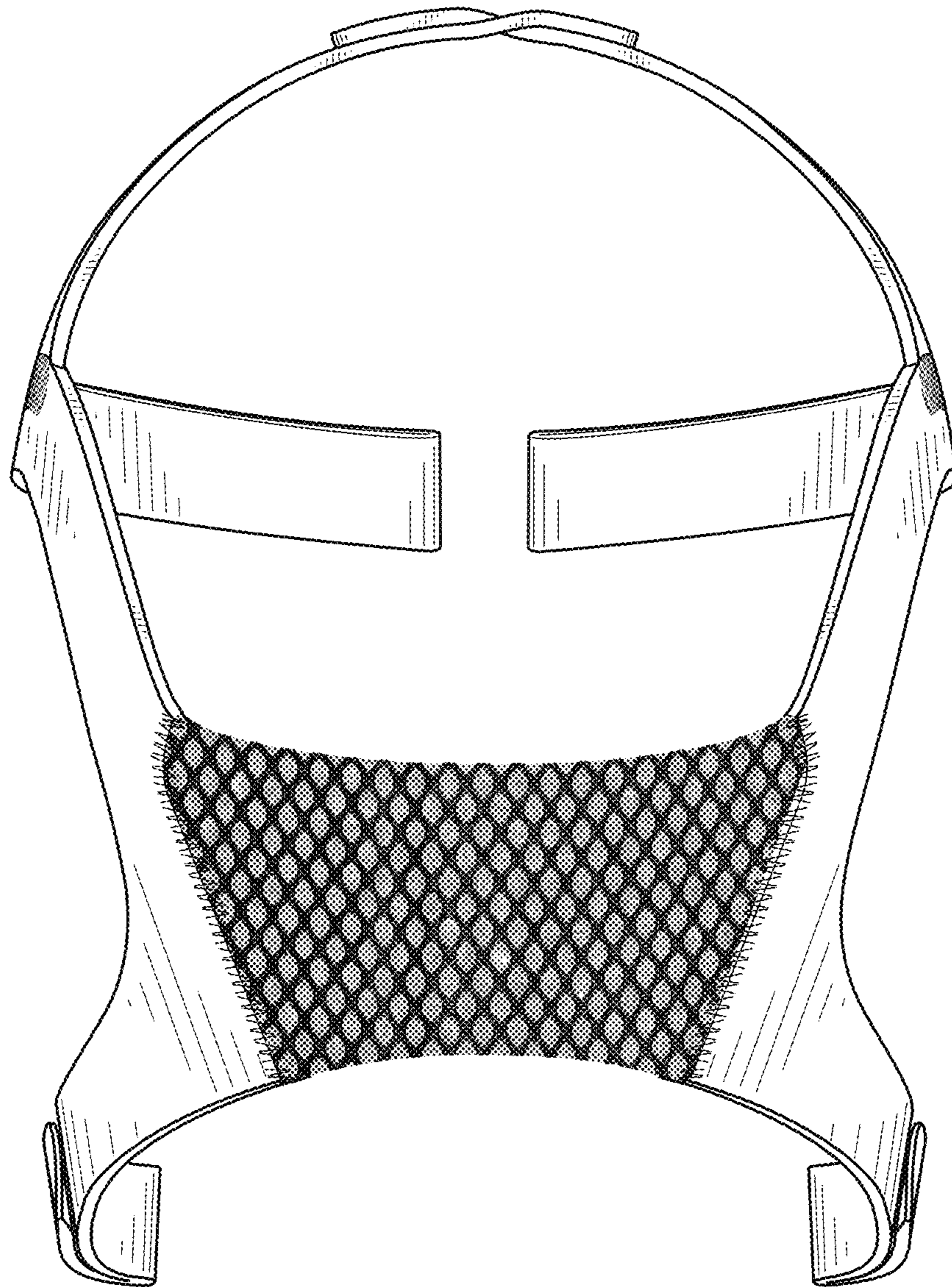
***FIG. 7***



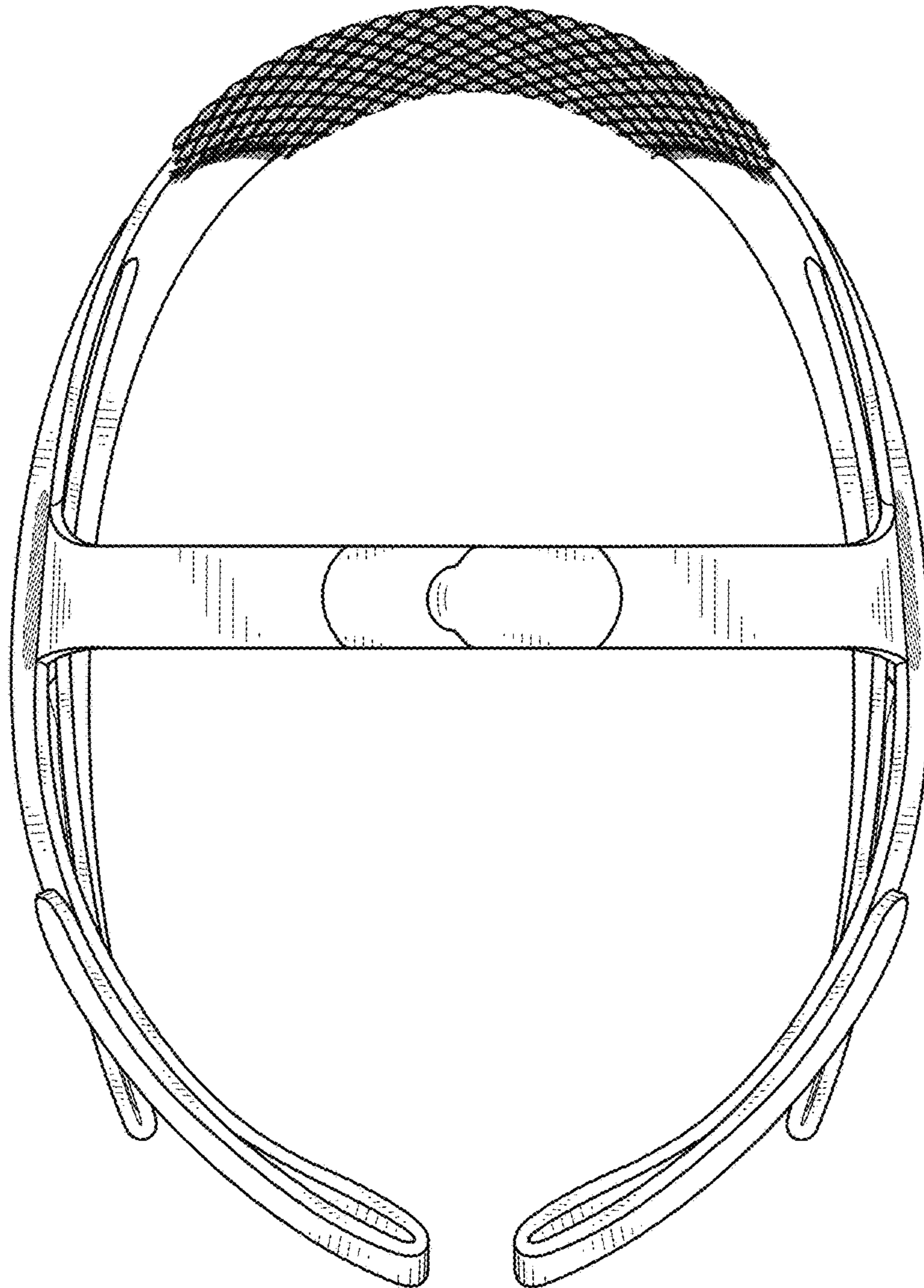
**FIG. 8**



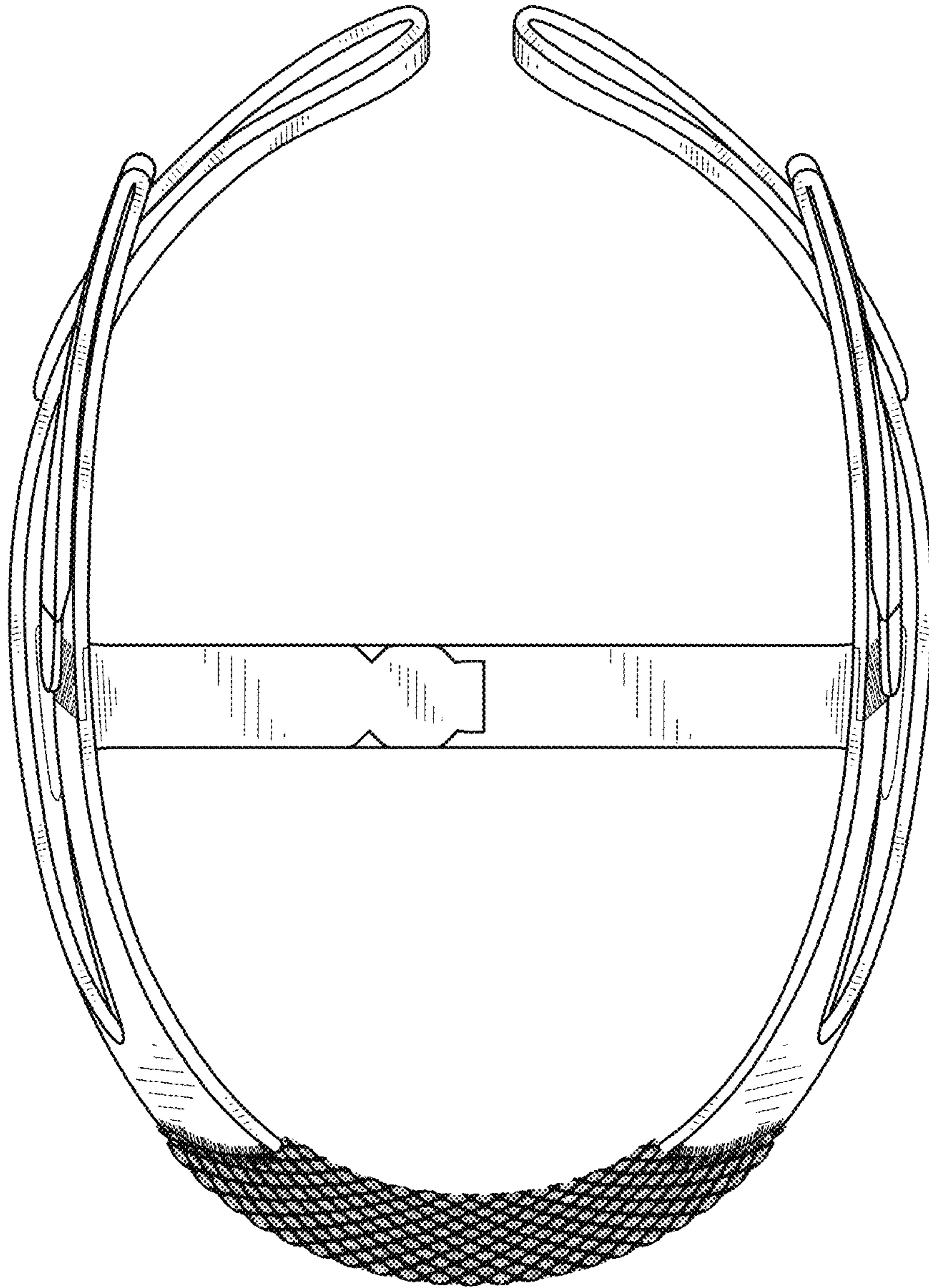
**FIG. 9**



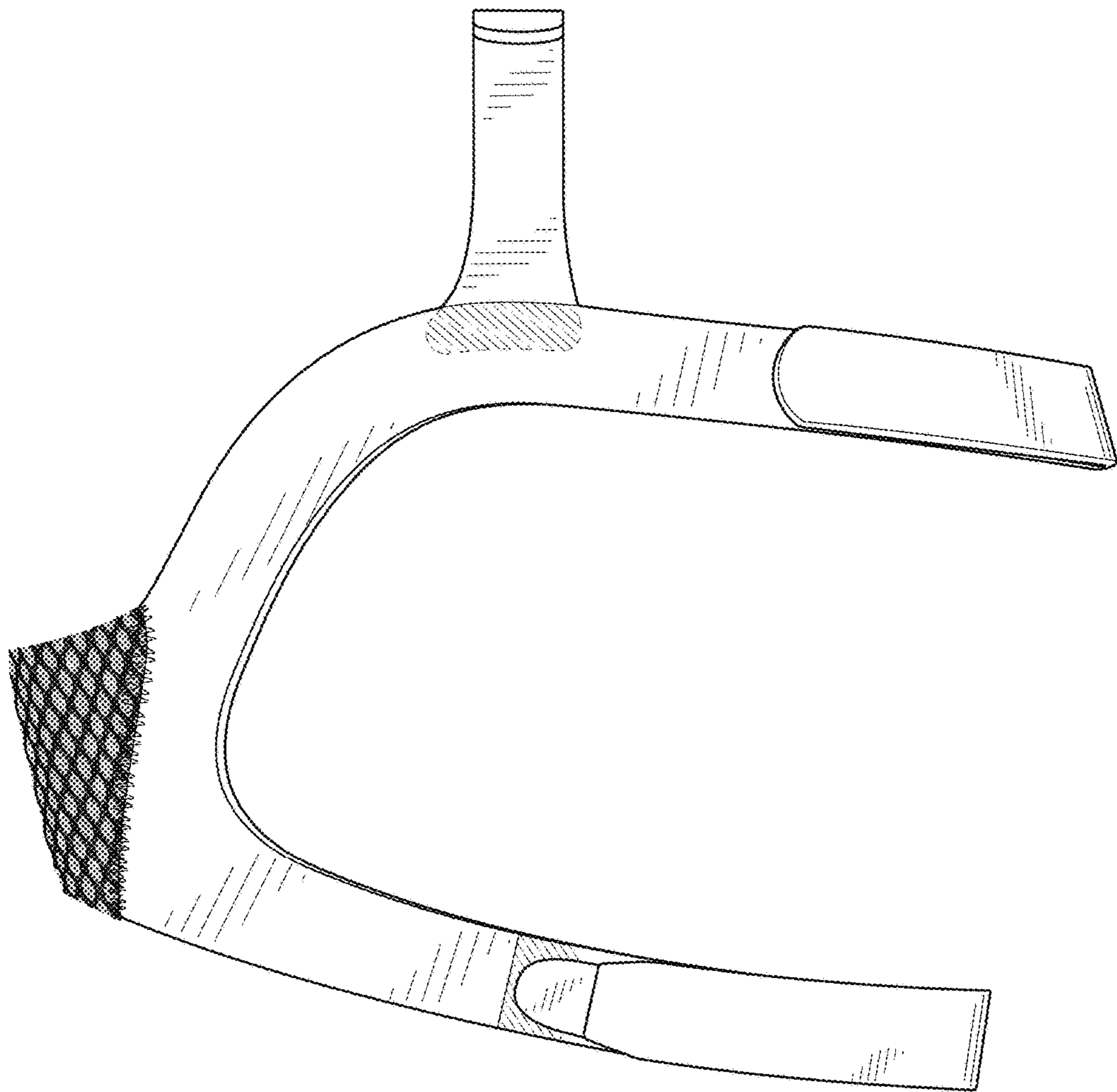
**FIG. 10**



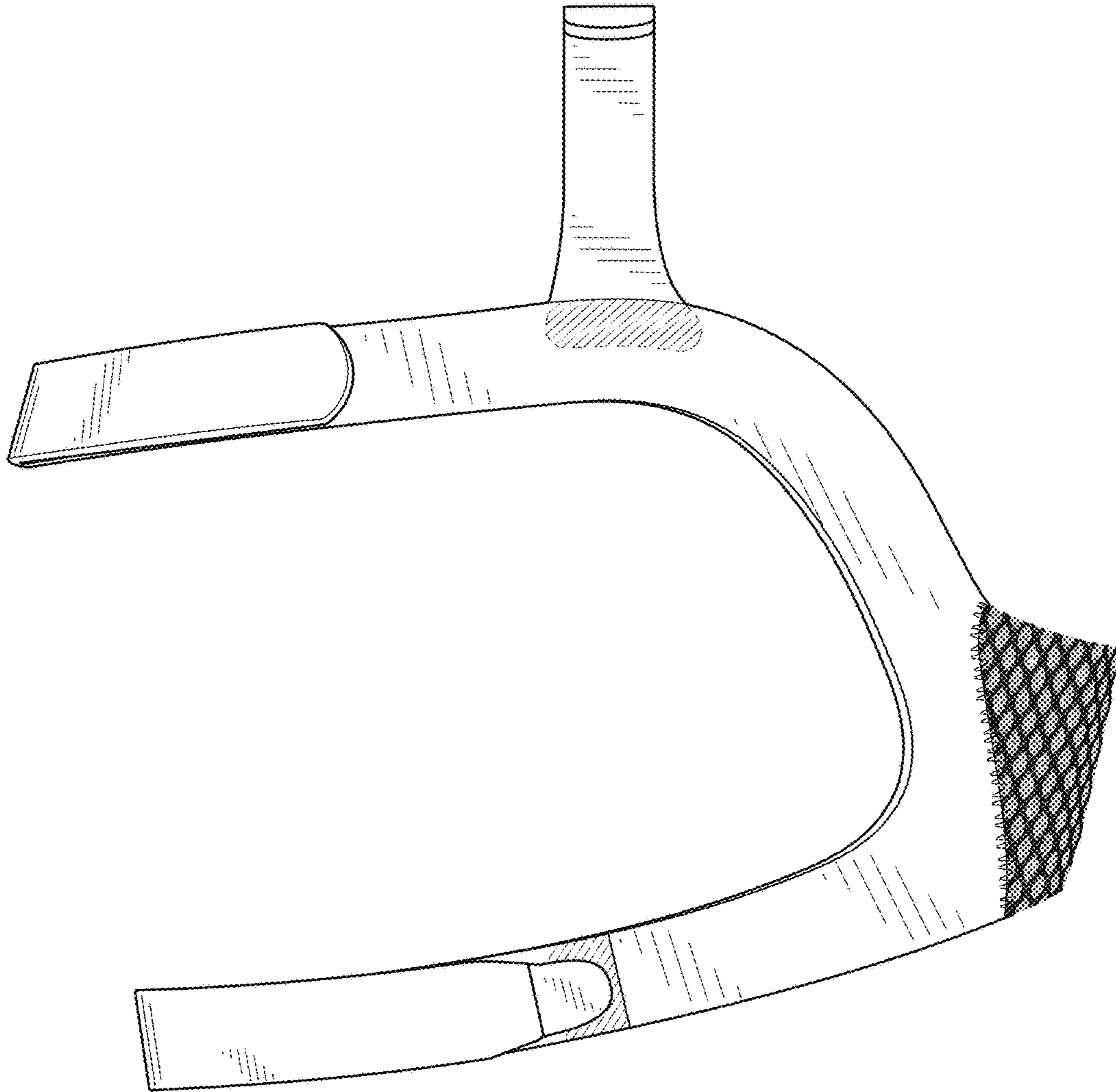
**FIG. 11**



**FIG. 12**



**FIG. 13**



**FIG. 14**