



US00D870264S

(12) **United States Design Patent** (10) **Patent No.:** **US D870,264 S**  
**Fedor et al.** (45) **Date of Patent:** **\*\* Dec. 17, 2019**

(54) **IMPLANTABLE APHERESIS PORT**

FOREIGN PATENT DOCUMENTS

(71) Applicant: **C. R. Bard, Inc.**, Murray Hill, NJ (US)

CA 1261698 A 9/1989  
CA 2318089 A1 7/1999

(72) Inventors: **Brenda L. Fedor**, Holladay, UT (US);  
**Jason R. Stats**, Layton, UT (US)

(Continued)

(73) Assignee: **C. R. Bard, Inc.**, Murray Hill, NJ (US)

OTHER PUBLICATIONS

(\*\*) Term: **15 Years**

Canaud, B. et. al. "Dialock: a new vascular access device for extracorporeal renal replacement therapy. Preliminary clinical results"—Mar. 1999.

(21) Appl. No.: **29/616,511**

(Continued)

(22) Filed: **Sep. 6, 2017**

*Primary Examiner* — David G Muller

(51) **LOC (12) Cl.** ..... **24-01**

(74) *Attorney, Agent, or Firm* — Rutan & Tucker LLP

(52) **U.S. Cl.**

(57) **CLAIM**

USPC ..... **D24/108**

The ornamental design for an implantable apheresis port, as shown and described.

(58) **Field of Classification Search**

**DESCRIPTION**

USPC ..... D24/108, 111, 155, 127–131, 112–114,  
D24/133, 186; 606/181, 185; 604/264,  
604/523–528, 272, 187, 158,  
604/164.01–164.11, 181, 184, 227;  
600/101, 139, 143; 128/200.24, 207.14,  
128/207.15

FIG. 1 is a rear perspective view of an implantable apheresis port;

CPC .. A61M 39/0208; A61M 25/00; A61M 39/00;  
A61M 27/00; A61M 25/0043; A61M  
25/0067; A61M 25/0097; A61F 2/958

FIG. 2 is a front perspective view of the implantable apheresis port illustrated in FIG. 1;

See application file for complete search history.

FIG. 3 is a top view of the implantable apheresis port illustrated in FIG. 1;

(56) **References Cited**

U.S. PATENT DOCUMENTS

3,951,147 A 4/1976 Tucker et al.  
4,184,489 A 1/1980 Burd  
4,222,374 A 9/1980 Sampson et al.  
4,400,169 A 8/1983 Stephen  
4,447,237 A 5/1984 Frisch et al.  
4,496,349 A 1/1985 Cosentino  
4,543,088 A 9/1985 Bootman et al.  
4,559,039 A 12/1985 Ash et al.

FIG. 4 is a bottom view of the implantable apheresis port illustrated in FIG. 1;

FIG. 5 is a first side view of the implantable apheresis port illustrated in FIG. 1;

FIG. 6 is a second side view of the implantable apheresis port illustrated in FIG. 1;

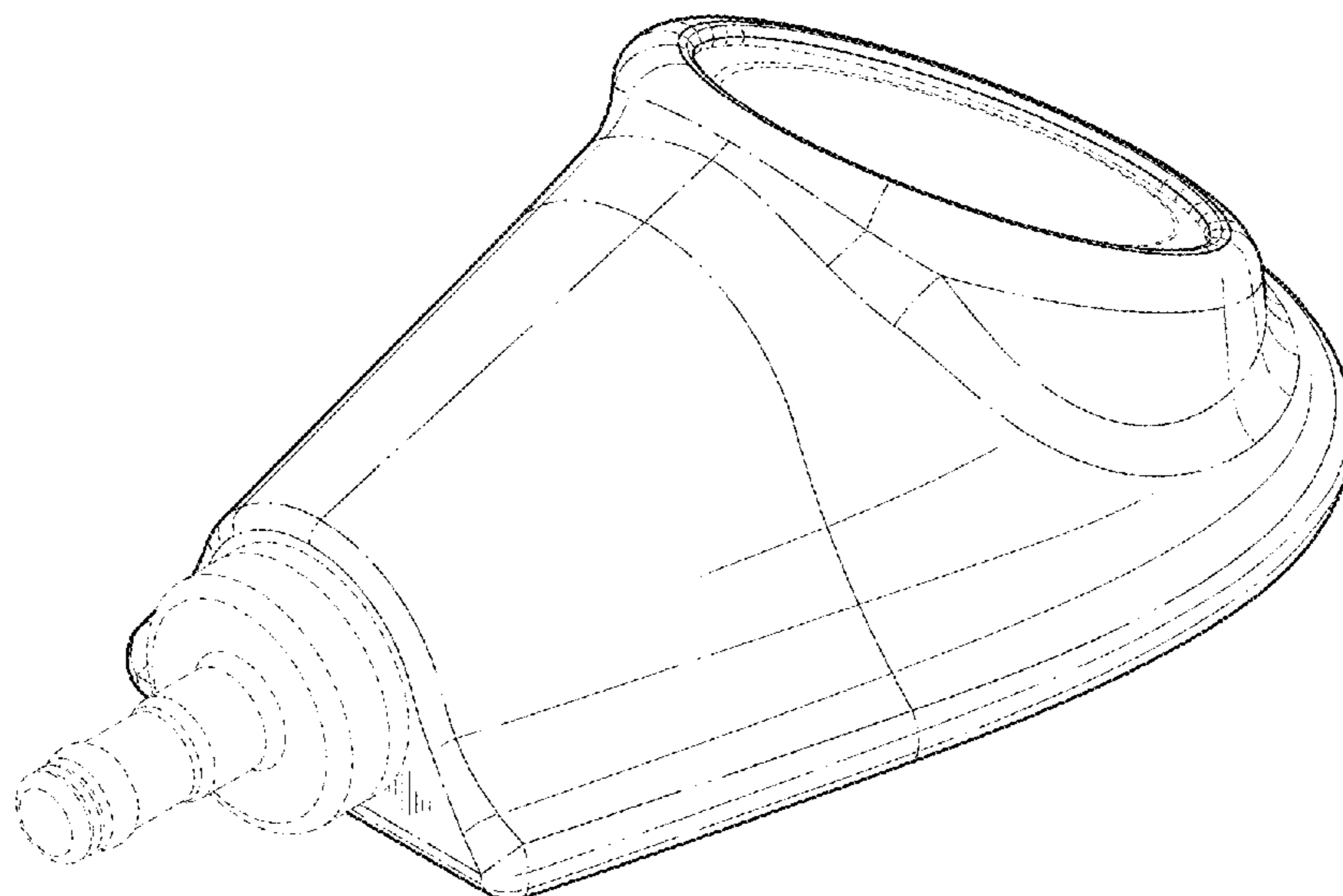
FIG. 7 is a rear view of the implantable apheresis port illustrated in FIG. 1; and,

FIG. 8 is a front view of the implantable apheresis port illustrated in FIG. 1.

The broken lines immediately adjacent the shaded areas represent the bounds of the claimed design while all other broken lines are directed to environment; the broken lines form no part of the claimed design.

(Continued)

**1 Claim, 7 Drawing Sheets**



(56)

References Cited

U.S. PATENT DOCUMENTS

4,569,675 A	2/1986	Prosl et al.	5,558,641 A	9/1996	Glantz et al.
4,673,394 A	6/1987	Fenton, Jr. et al.	5,562,617 A	10/1996	Finch, Jr. et al.
4,692,146 A	9/1987	Hilger	5,562,618 A	10/1996	Cai et al.
4,695,273 A	9/1987	Brown	5,575,770 A	11/1996	Melsky et al.
4,704,103 A	11/1987	Stober et al.	5,578,070 A	11/1996	Utterberg
4,710,174 A	12/1987	Moden et al.	5,607,393 A	3/1997	Ensminger et al.
4,762,517 A	8/1988	McIntyre et al.	5,613,945 A	3/1997	Cai et al.
4,767,410 A	8/1988	Moden et al.	5,620,419 A	4/1997	Lui et al.
4,772,270 A	9/1988	Wiita et al.	5,632,729 A	5/1997	Cai et al.
4,772,276 A	9/1988	Wiita et al.	5,647,855 A	7/1997	Trooskin
4,778,452 A	10/1988	Moden et al.	5,695,490 A	12/1997	Flaherty et al.
4,790,826 A	12/1988	Elftman	5,702,363 A	12/1997	Flaherty
4,802,885 A	2/1989	Weeks et al.	5,713,858 A	2/1998	Heruth et al.
4,804,054 A	2/1989	Howson et al.	5,718,682 A	2/1998	Tucker
4,820,273 A	4/1989	Reinicke	5,725,507 A	3/1998	Petrick
4,861,341 A	8/1989	Woodburn	5,741,228 A	4/1998	Lambrecht et al.
4,886,501 A	12/1989	Johnston et al.	5,743,873 A	4/1998	Cai et al.
4,892,518 A	1/1990	Cupp et al.	5,758,667 A	6/1998	Slettenmark
4,897,081 A	1/1990	Poirier et al.	5,769,823 A	6/1998	Otto
4,904,241 A	2/1990	Bark	5,792,104 A	8/1998	Speckman et al.
4,915,690 A	4/1990	Cone et al.	5,810,789 A	9/1998	Powers et al.
4,929,236 A	5/1990	Sampson	5,833,654 A	11/1998	Powers et al.
4,963,133 A	10/1990	Whipple	5,848,989 A *	12/1998	Villani ..... A61M 39/0208 604/288.02
4,978,338 A	12/1990	Melsky et al.	5,906,596 A	5/1999	Tallarida
5,013,298 A	5/1991	Moden et al.	5,908,414 A	6/1999	Otto et al.
5,041,098 A	8/1991	Loiterman et al.	5,913,998 A	6/1999	Butler et al.
5,045,060 A	9/1991	Melsky et al.	5,925,017 A	7/1999	Kriesel et al.
5,045,064 A	9/1991	Idriss	5,931,829 A	8/1999	Burbank et al.
5,053,013 A	10/1991	Ensminger et al.	5,944,688 A	8/1999	Lois
5,057,084 A	10/1991	Ensminger et al.	5,947,953 A	9/1999	Ash et al.
5,084,015 A	1/1992	Moriuchi	5,951,512 A	9/1999	Dalton
5,090,954 A	2/1992	Geary	5,954,687 A	9/1999	Baudino
5,108,377 A	4/1992	Cone et al.	5,954,691 A	9/1999	Prosl
5,137,529 A	8/1992	Watson et al.	5,968,011 A *	10/1999	Larsen ..... A61M 5/158 604/164.01
5,147,321 A	9/1992	Slonina et al.	5,989,206 A	11/1999	Prosl et al.
5,147,483 A	9/1992	Melsky et al.	5,989,216 A	11/1999	Johnson et al.
5,158,547 A	10/1992	Doan et al.	5,989,239 A	11/1999	Finch et al.
5,167,633 A	12/1992	Mann et al.	6,007,516 A	12/1999	Burbank et al.
5,167,638 A	12/1992	Felix et al.	6,013,051 A	1/2000	Nelson
5,171,228 A	12/1992	McDonald	6,013,058 A	1/2000	Prosl et al.
5,178,612 A	1/1993	Fenton, Jr.	6,022,335 A	2/2000	Ramadan
5,180,365 A	1/1993	Ensminger et al.	6,039,712 A	3/2000	Fogarty et al.
5,185,003 A	2/1993	Brethauer	6,042,569 A	3/2000	Finch, Jr. et al.
5,201,715 A	4/1993	Masters	6,053,901 A	4/2000	Finch, Jr. et al.
5,203,771 A	4/1993	Melker et al.	6,056,717 A	5/2000	Finch et al.
5,213,574 A	5/1993	Tucker	6,086,555 A	7/2000	Eliassen et al.
D337,637 S	7/1993	Tucker	6,090,067 A	7/2000	Carter
5,226,879 A	7/1993	Ensminger et al.	6,090,068 A *	7/2000	Chanut ..... A61M 39/0208 604/173
5,263,930 A *	11/1993	Ensminger ..... A61M 39/0208 604/175	6,102,884 A	8/2000	Squitieri
5,266,071 A	11/1993	Elftman	6,120,492 A	9/2000	Finch et al.
5,281,199 A	1/1994	Ensminger et al.	6,190,349 B1	2/2001	Ash et al.
5,281,205 A	1/1994	McPherson	6,190,352 B1	2/2001	Haarala et al.
5,318,545 A *	6/1994	Tucker ..... A61L 29/02 604/244	6,206,851 B1	3/2001	Prosl
5,336,194 A	8/1994	Polaschegg et al.	6,213,973 B1	4/2001	Eliassen et al.
5,350,360 A	9/1994	Ensminger et al.	D445,175 S	7/2001	Bertheas
5,360,407 A	11/1994	Leonard et al.	6,287,293 B1	9/2001	Jones et al.
5,387,192 A	2/1995	Glantz et al.	6,332,874 B1	12/2001	Eliassen et al.
5,395,324 A	3/1995	Hinrichs et al.	6,350,251 B1	2/2002	Prosl et al.
5,399,168 A	3/1995	Wadsworth, Jr. et al.	6,352,521 B1	3/2002	Prosl
5,405,325 A	4/1995	Labs	6,398,764 B1	6/2002	Finch, Jr. et al.
5,417,656 A	5/1995	Ensminger et al.	6,436,084 B1	8/2002	Finch et al.
5,421,814 A	6/1995	Geary	6,438,397 B1	8/2002	Bosquet et al.
5,423,334 A	6/1995	Jordan	6,459,917 B1	10/2002	Gowda et al.
5,476,451 A	12/1995	Ensminger et al.	6,478,783 B1	11/2002	Moorehead
5,503,630 A	4/1996	Ensminger et al.	6,482,197 B2	11/2002	Finch et al.
5,514,103 A	5/1996	Srisathapat et al.	6,494,867 B1	12/2002	Elver et al.
5,520,643 A	5/1996	Ensminger et al.	6,506,182 B2	1/2003	Estabrook et al.
5,527,277 A	6/1996	Ensminger et al.	6,527,754 B1	3/2003	Tallarida et al.
5,527,278 A	6/1996	Ensminger et al.	6,540,717 B2	4/2003	Sherry
5,531,684 A	7/1996	Ensminger et al.	6,582,409 B1	6/2003	Squitieri
5,542,923 A	8/1996	Ensminger et al.	6,607,504 B2	8/2003	Haarala et al.
5,554,117 A	9/1996	Ensminger et al.	6,620,118 B1	9/2003	Prosl et al.
5,556,381 A	9/1996	Ensminger et al.	6,695,832 B2	2/2004	Schon et al.
			6,699,218 B2	3/2004	Flaherty et al.
			6,719,749 B1	4/2004	Schweikert et al.
			6,726,711 B1	4/2004	Langenbach et al.

(56)

References Cited

U.S. PATENT DOCUMENTS

6,758,841 B2	7/2004	Haarala et al.	9,033,931 B2	5/2015	Young et al.
6,783,522 B2	8/2004	Fischell	9,061,129 B2	6/2015	Lauer
6,852,106 B2	2/2005	Watson et al.	9,072,880 B2	7/2015	Phillips et al.
6,881,211 B2	4/2005	Schweikert et al.	9,072,881 B2	7/2015	Dalton et al.
6,929,631 B1	8/2005	Brugger et al.	9,078,982 B2	7/2015	Lane et al.
6,960,185 B2	11/2005	Adaniya et al.	9,089,395 B2 *	7/2015	Honaryar ..... A61F 5/0056
6,962,580 B2	11/2005	Adams et al.	9,095,665 B2	8/2015	Pages et al.
6,997,914 B2	2/2006	Smith et al.	9,138,563 B2	9/2015	Glenn
7,018,374 B2	3/2006	Schon et al.	9,168,365 B2	10/2015	Bourne et al.
7,056,316 B1	6/2006	Burbank et al.	9,174,037 B2	11/2015	Schutz et al.
7,070,591 B2	7/2006	Adams et al.	9,179,901 B2	11/2015	Young et al.
7,083,648 B2	8/2006	Yu et al.	9,180,248 B2	11/2015	Moberg et al.
7,108,686 B2	9/2006	Burke et al.	9,474,888 B2 *	10/2016	Wiley ..... A61M 39/0247
7,131,962 B1	11/2006	Estabrook et al.	9,579,496 B2 *	2/2017	Evans ..... A61M 39/0208
7,223,257 B2	5/2007	Shubayev et al.	9,987,467 B2 *	6/2018	Jochum ..... A61M 39/0208
7,261,705 B2	8/2007	Edoga et al.	10,207,095 B2 *	2/2019	Barron ..... A61M 39/0208
7,311,702 B2	12/2007	Tallarida et al.	10,272,236 B2 *	4/2019	Davey ..... A61M 39/0247
7,322,953 B2	1/2008	Redinger	2001/0041870 A1	11/2001	Gillis et al.
D562,443 S	2/2008	Zinn et al.	2001/0056266 A1	12/2001	Tallarida et al.
7,347,843 B2	3/2008	Adams et al.	2003/0023208 A1	1/2003	Osyypka et al.
7,351,233 B2	4/2008	Parks	2003/0181878 A1	9/2003	Tallarida et al.
7,396,359 B1	7/2008	Derowe et al.	2004/0054352 A1	3/2004	Adams et al.
D574,950 S *	8/2008	Zawacki ..... D24/108	2004/0073196 A1	4/2004	Adams et al.
D578,203 S	10/2008	Bizup	2004/0199129 A1	10/2004	DiMatteo
7,445,614 B2	11/2008	Bunodiare et al.	2004/0204692 A1	10/2004	Eliassen
D582,032 S	12/2008	Bizup et al.	2004/0254536 A1	12/2004	Conlon et al.
7,497,850 B2	3/2009	Halili	2004/0254537 A1	12/2004	Conlon et al.
D612,479 S *	3/2010	Zawacki ..... D24/108	2005/0075614 A1	4/2005	Bunodiare et al.
7,699,821 B2	4/2010	Nowak	2005/0113806 A1	5/2005	De Carvalho et al.
7,704,225 B2	4/2010	Kantrowitz	2005/0131352 A1	6/2005	Conlon et al.
7,708,722 B2	5/2010	Glenn	2005/0148956 A1	7/2005	Conlon et al.
7,713,251 B2	5/2010	Tallarida et al.	2005/0148957 A1	7/2005	Girard et al.
7,731,680 B2	6/2010	Patton	2005/0171502 A1	8/2005	Daly et al.
7,762,999 B2	7/2010	Byrum	2005/0209573 A1	9/2005	Brugger et al.
7,824,365 B2	11/2010	Haarala et al.	2005/0256451 A1	11/2005	Adams et al.
7,846,139 B2	12/2010	Zinn et al.	2005/0277899 A1	12/2005	Conlon et al.
7,850,666 B2	12/2010	Schon et al.	2006/0084929 A1	4/2006	Eliassen
7,909,804 B2 *	3/2011	Stats ..... A61M 39/0208 604/288.01	2006/0089619 A1	4/2006	Ginggen
7,959,615 B2	6/2011	Stats et al.	2006/0100592 A1	5/2006	Eliassen
7,972,315 B2	7/2011	Birk et al.	2006/0173424 A1	8/2006	Conlon
7,981,094 B2	7/2011	Chelak	2006/0178617 A1	8/2006	Adams et al.
D650,475 S *	12/2011	Smith ..... A61M 39/0208 D24/108	2006/0178647 A1	8/2006	Stats
8,075,536 B2	12/2011	Gray et al.	2006/0184142 A1	8/2006	Schon et al.
8,079,990 B2	12/2011	Powley et al.	2006/0217659 A1	9/2006	Patton
8,147,455 B2 *	4/2012	Butts ..... A61M 39/0247 604/164.01	2006/0217673 A1	9/2006	Schulze et al.
8,152,792 B1 *	4/2012	Kornel ..... A61M 27/00 604/19	2006/0224129 A1	10/2006	Beasley et al.
8,257,325 B2	9/2012	Schweikert et al.	2006/0247584 A1	11/2006	Sheetz et al.
8,277,425 B2	10/2012	Girard et al.	2006/0264898 A1	11/2006	Beasley et al.
8,328,768 B2	12/2012	Quigley et al.	2006/0271012 A1	11/2006	Canaud et al.
8,337,464 B2	12/2012	Young et al.	2007/0049806 A1	3/2007	Adams et al.
8,337,465 B2	12/2012	Young et al.	2007/0073250 A1	3/2007	Schneiter
8,337,470 B2	12/2012	Prasad et al.	2007/0078391 A1	4/2007	Wortley et al.
8,343,108 B2 *	1/2013	Rosenberg ..... A61M 25/02 604/174	2007/0078416 A1	4/2007	Eliassen
8,364,230 B2	1/2013	Simpson et al.	2007/0083156 A1	4/2007	Muto et al.
8,377,034 B2	2/2013	Tallarida et al.	2007/0161958 A1	7/2007	Glenn
8,425,416 B2	4/2013	Brister et al.	2007/0179456 A1	8/2007	Glenn
8,425,476 B2	4/2013	Glenn	2007/0208313 A1	9/2007	Conlon et al.
8,480,560 B2	7/2013	Vendely	2007/0219510 A1	9/2007	Zinn et al.
8,550,981 B2 *	10/2013	Woodruff ..... A61F 5/0056 600/37	2007/0232997 A1	10/2007	Glenn
8,574,204 B2	11/2013	Bourne et al.	2007/0233017 A1	10/2007	Zinn et al.
RE44,639 E	12/2013	Squitieri	2007/0233018 A1	10/2007	Bizup et al.
8,622,980 B2 *	1/2014	Zinn ..... A61M 39/0208 604/288.01	2007/0233018 A1	10/2007	Bizup et al.
8,690,815 B2	4/2014	Porter et al.	2007/0255234 A1	11/2007	Haase et al.
8,690,816 B2	4/2014	Dakin et al.	2007/0270770 A1	11/2007	Bizup
8,738,151 B2 *	5/2014	Nelson ..... A61M 25/02 285/239	2007/0276344 A1	11/2007	Bizup et al.
8,979,806 B2	3/2015	Saab	2007/0282308 A1	12/2007	Bell
			2008/0048855 A1	2/2008	Berger
			2008/0086075 A1	4/2008	Isik et al.
			2008/0108942 A1	5/2008	Brister et al.
			2008/0114308 A1	5/2008	di Palma et al.
			2008/0132946 A1	6/2008	Mueller
			2008/0208236 A1	8/2008	Hobbs et al.
			2008/0281279 A1	11/2008	Hoendervoogt et al.
			2008/0319399 A1	12/2008	Schweikert et al.
			2008/0319405 A1	12/2008	Bizup
			2009/0024024 A1	1/2009	Zinn
			2009/0024098 A1	1/2009	Bizup et al.
			2009/0105688 A1	4/2009	McIntyre et al.
			2009/0118683 A1	5/2009	Hanson et al.
			2009/0156928 A1	6/2009	Evans et al.

(56)

References Cited

U.S. PATENT DOCUMENTS

2009/0192467 A1 7/2009 Hansen et al.  
 2009/0204074 A1 8/2009 Powers et al.  
 2009/0221976 A1 9/2009 Linden  
 2009/0259164 A1 10/2009 Pages et al.  
 2010/0042073 A1 2/2010 Oster et al.  
 2010/0121283 A1 5/2010 Hamatake et al.  
 2010/0298684 A1 11/2010 Leach et al.  
 2011/0118677 A1 5/2011 Wiley et al.  
 2011/0257577 A1 10/2011 Lane et al.  
 2011/0264058 A1 10/2011 Linden et al.  
 2011/0319728 A1 12/2011 Petisce et al.  
 2012/0172711 A1 7/2012 Kerr et al.  
 2012/0283518 A1 11/2012 Hart  
 2013/0030348 A1 1/2013 Lauer  
 2013/0150767 A1 6/2013 Tsyrlnykov et al.  
 2013/0150811 A1 6/2013 Horgan  
 2014/0207086 A1 7/2014 Stats et al.  
 2015/0190622 A1 7/2015 Saab  
 2015/0196704 A1 7/2015 Adler  
 2015/0250933 A1 9/2015 Kerkhoffs et al.  
 2015/0258322 A1 9/2015 Young et al.  
 2015/0265280 A1 9/2015 Blatter et al.  
 2015/0273201 A1 10/2015 Tallarida et al.  
 2015/0290446 A1 10/2015 Wiley et al.  
 2015/0306300 A1 10/2015 Phillips et al.  
 2015/0327844 A1 11/2015 Hong et al.  
 2016/0001055 A1 1/2016 Bourne et al.  
 2018/0078751 A1 3/2018 Fedor et al.

FOREIGN PATENT DOCUMENTS

CA 2551680 A1 7/2005  
 CN 102271737 A 12/2011  
 EP 0229729 A2 7/1987  
 EP 0366814 A1 5/1990  
 EP 0 809 523 A1 12/1997  
 EP 1047473 A1 11/2000  
 EP 1056506 A1 12/2000  
 EP 2948121 B1 11/2017  
 JP H05-506591 A 9/1993  
 JP H07-148206 A 6/1995  
 JP H08-501008 A 2/1996  
 JP 2008-531226 A 8/2008  
 WO 1991/012838 A1 9/1991  
 WO 1993/005730 A1 4/1993  
 WO 1994/005246 A1 3/1994  
 WO 96/25196 A1 8/1996  
 WO 1996/029112 A1 9/1996  
 WO 1997/001370 A1 1/1997  
 WO 1997/006845 A1 2/1997  
 WO 1998/017337 A1 4/1998  
 WO 1999/034859 A1 7/1999  
 WO 1999/042166 A1 8/1999  
 WO 2000/033901 A1 6/2000  
 WO 2000/044424 A1 8/2000  
 WO 2000/053245 A1 9/2000  
 WO 2001/026713 A1 4/2001  
 WO 01/80926 A2 11/2001  
 WO 2002/038460 A1 5/2002  
 WO 2002/066595 A1 8/2002  
 WO 2003/066126 A2 8/2003  
 WO 2004/004800 A2 1/2004  
 WO 2004/071555 A2 8/2004  
 WO 2004/091434 A2 10/2004  
 WO 2004/093970 A1 11/2004  
 WO 2005/068009 A1 7/2005  
 WO 2006/064753 A1 6/2006

WO 2006/078915 A2 7/2006  
 WO 2006/096686 A1 9/2006  
 WO 2006/116438 A2 11/2006  
 WO 2006/130133 A1 12/2006  
 WO 2006/134100 A1 12/2006  
 WO 2007/079024 A2 7/2007  
 WO 2007/082003 A2 7/2007  
 WO 2007/087460 A2 8/2007  
 WO 2007/092210 A1 8/2007  
 WO 2007/094898 A2 8/2007  
 WO 2007/098771 A2 9/2007  
 WO 2007/109164 A2 9/2007  
 WO 2007/126645 A2 11/2007  
 WO 2007/136538 A2 11/2007  
 WO 2008/048361 A1 4/2008  
 WO 2008/063226 A2 5/2008  
 WO 2008/140901 A1 11/2008  
 WO 2008/157763 A1 12/2008  
 WO 2009/002839 A1 12/2008  
 WO 2009/012385 A1 1/2009  
 WO 2009/035582 A1 3/2009  
 WO 2009/046439 A2 4/2009  
 WO 2009/108669 A1 9/2009  
 WO 2012/064881 A2 5/2012  
 WO 2014/017986 A1 1/2014  
 WO 2014/116810 A1 7/2014  
 WO 2015/179862 A1 11/2015

OTHER PUBLICATIONS

CN 201480005902.2 filed Jul. 23, 2015 Office Action dated Jan. 20, 2016.  
 CN 201480005902.2 filed Jul. 23, 2015 Office Action dated Jul. 19, 2016.  
 CN 201480005902.2 filed Jul. 23, 2015 Office Action dated May 12, 2017.  
 EP 14743846.9 filed Aug. 12, 2015 Extended European Search Report dated Oct. 10, 2016.  
 EP 14743846.9 filed Aug. 12, 2015 Intent to Grant dated Jun. 26, 2017.  
 Goldstein, D. J. et. al. "Implantable Left Ventricular Assist Devices" (Nov. 19, 1998).  
 JP 2015-555266 filed Jul. 22, 2015 Office Action dated Oct. 12, 2017.  
 Moran, J. E. "Subcutaneous Vascular Access Devices" (Nov. 1, 2001).  
 PCT/US2014/012721 filed Jan. 23, 2014 International Search Report and Written Opinion dated Apr. 14, 2014.  
 Rosenblatt, M. et. al. "Efficacy and Safety Results with the LifeSite Hemodialysis Access System versus the Tesio-Cath Hemodialysis Catheter at 12 Months"—Mar. 2006.  
 Sandhu, J. Dialysis Ports: A New Totally Implantable Option for Hemodialysis Access—Jun. 2002.  
 U.S. Appl. No. 14/162,113, filed Jan. 23, 2014 Final Office Action dated May 25, 2017.  
 U.S. Appl. No. 14/162,113, filed Jan. 23, 2014 Non-Final Office Action dated Dec. 11, 2017.  
 U.S. Appl. No. 14/162,113, filed Jan. 23, 2014 Non-Final Office Action dated May 4, 2016.  
 U.S. Appl. No. 14/162,113, filed Jan. 23, 2014 Non-Final Office Action dated Nov. 22, 2016.  
 JP 2015-555266 filed Jul. 22, 2015 Office Action dated May 2, 2018.  
 PCT/US2017/061179 filed Nov. 10, 2017 International Search Report and Written Opinion dated Jan. 22, 2018.  
 U.S. Appl. No. 14/162,113, filed Jan. 23, 2014 Final Office Action dated Jul. 2, 2018.

\* cited by examiner

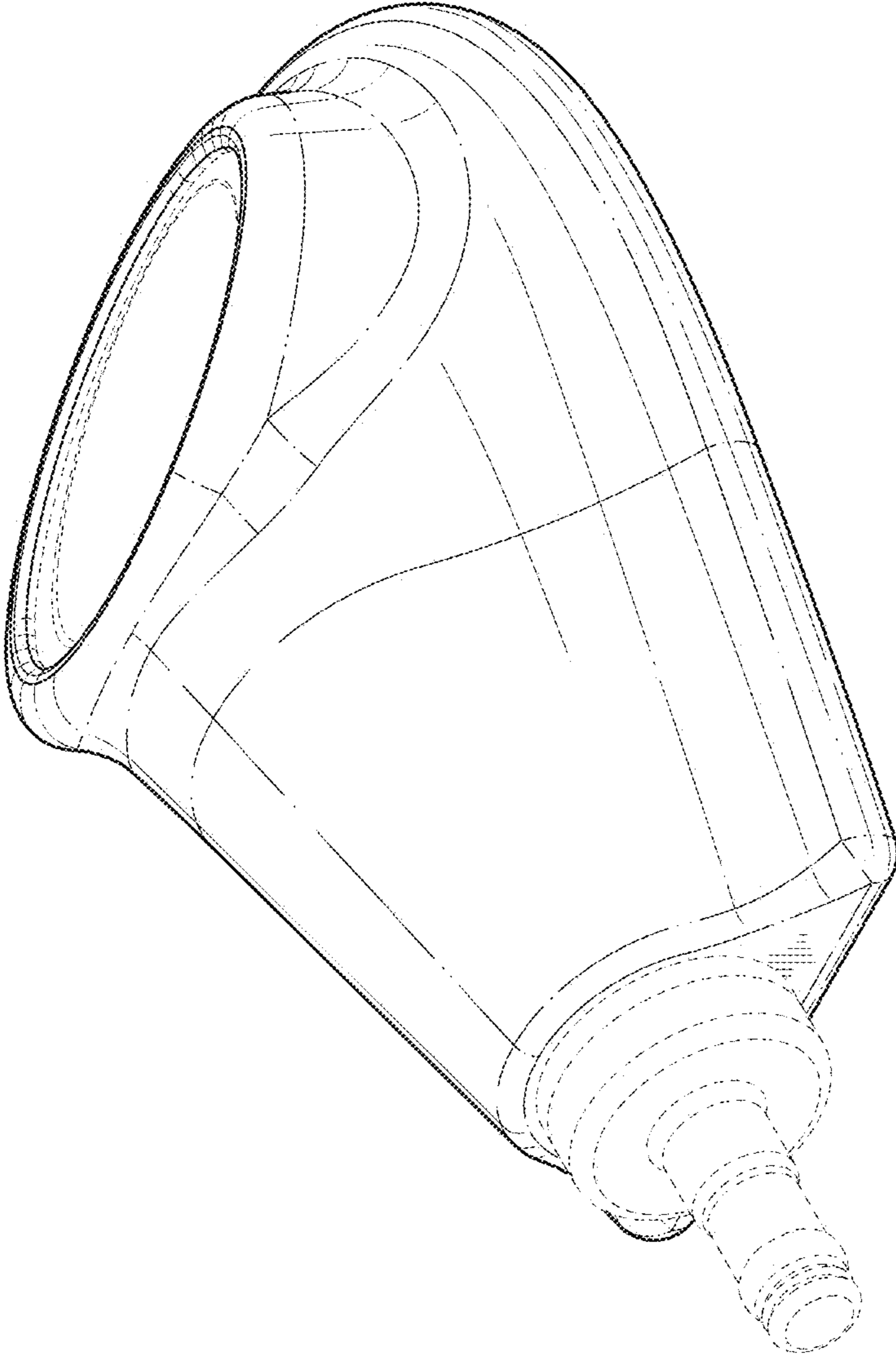


FIG. 1

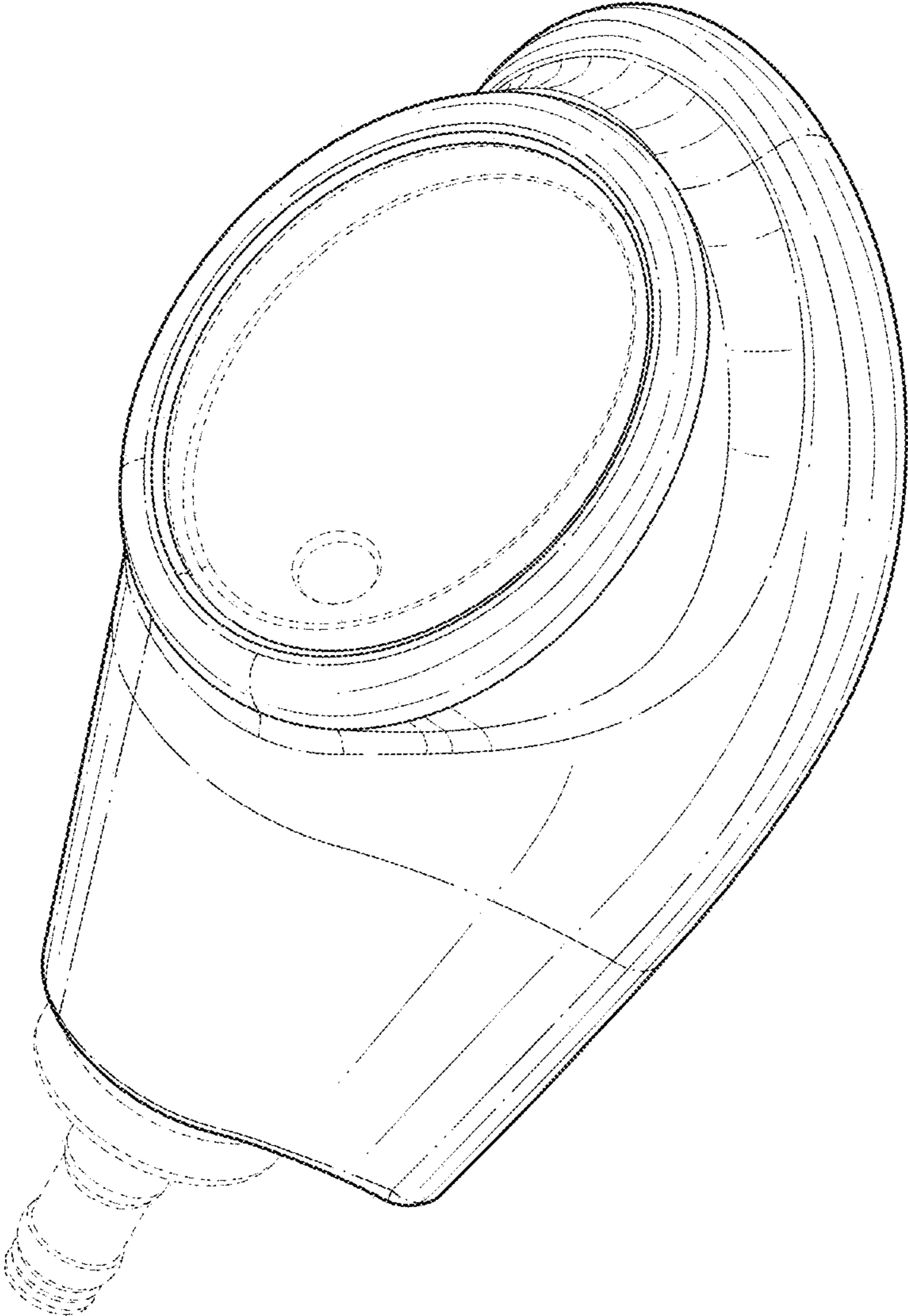


FIG. 2

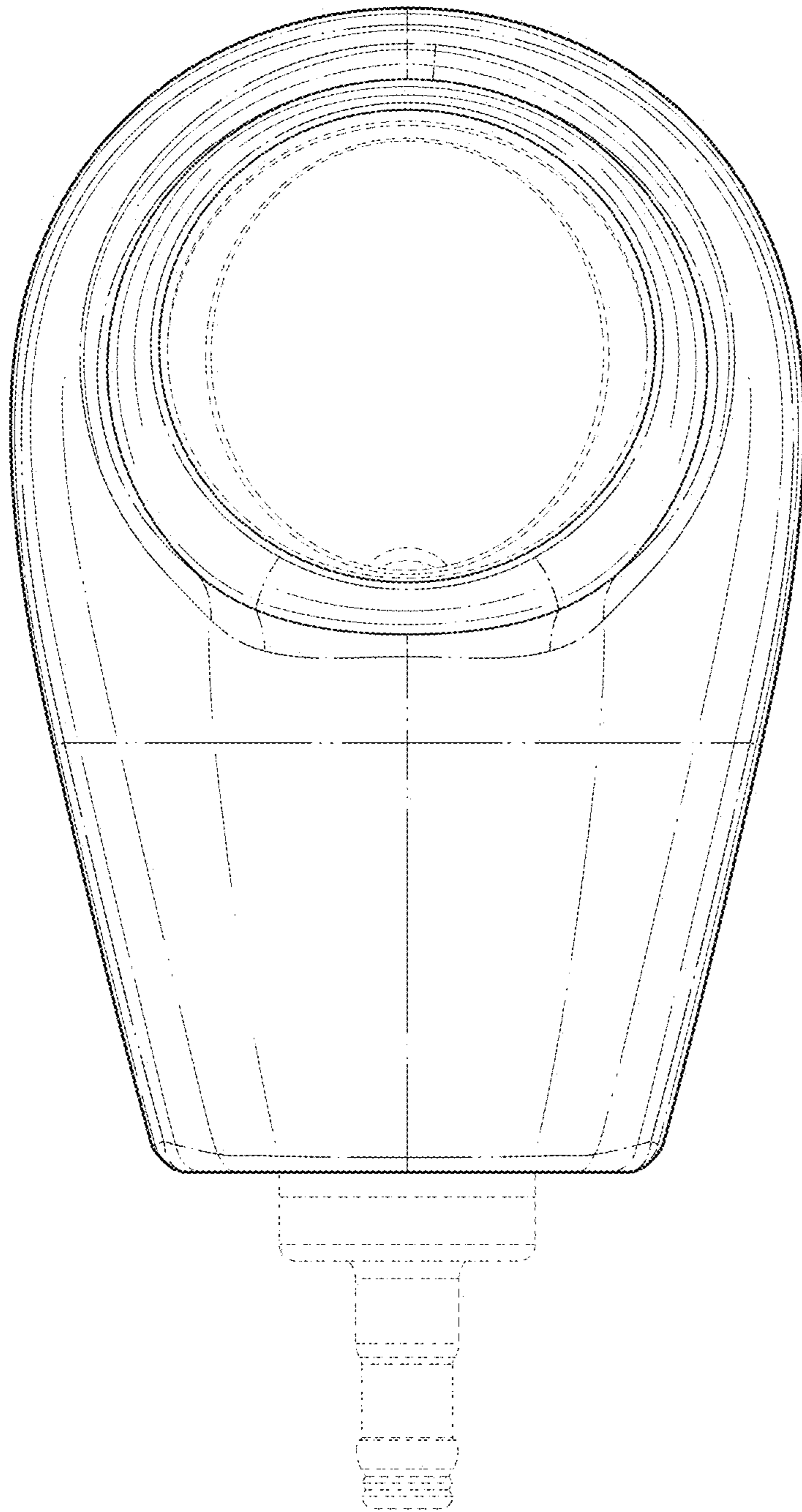


FIG. 3



FIG. 4



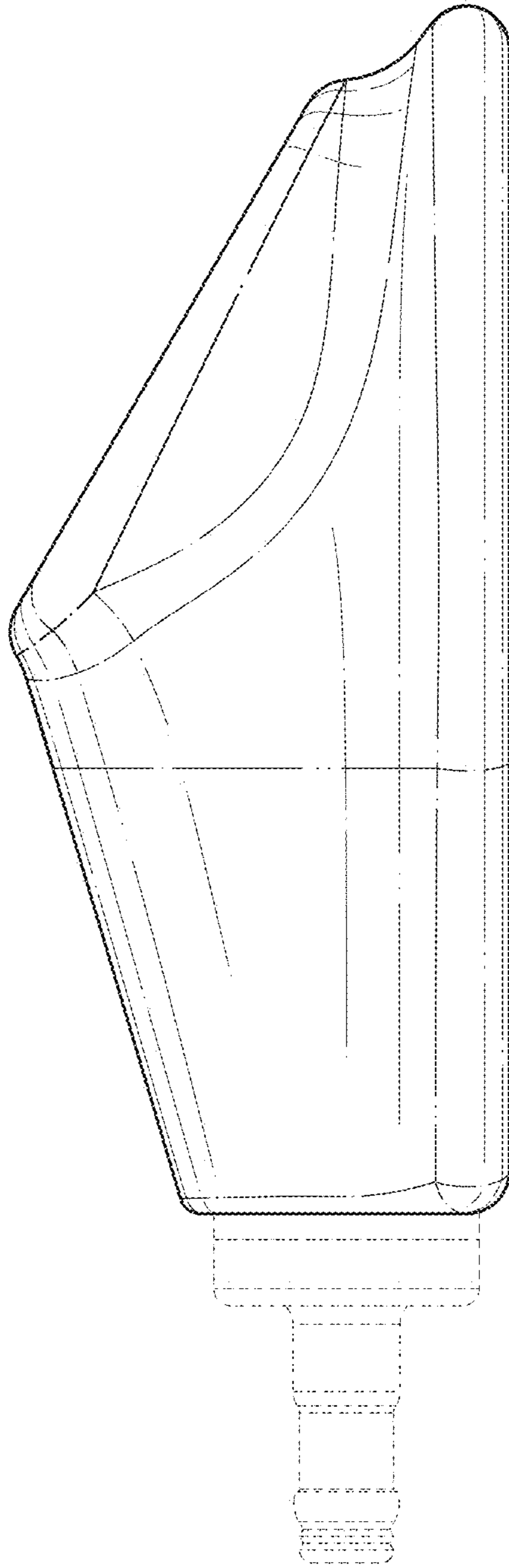


FIG. 5

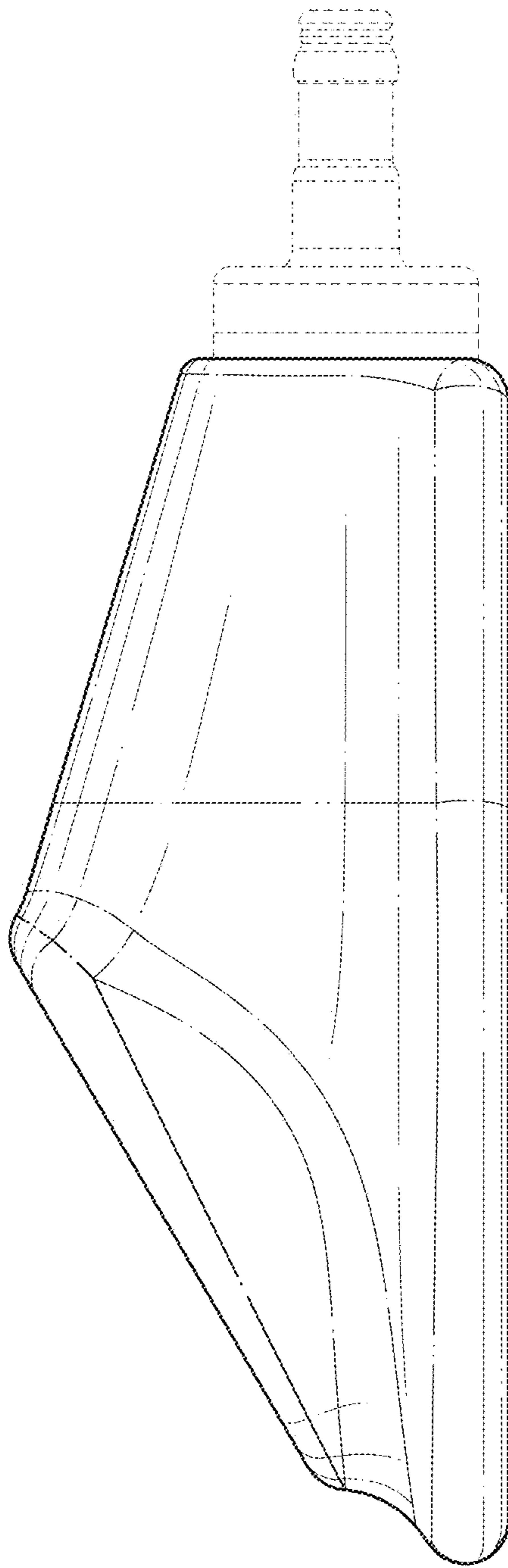


FIG. 6

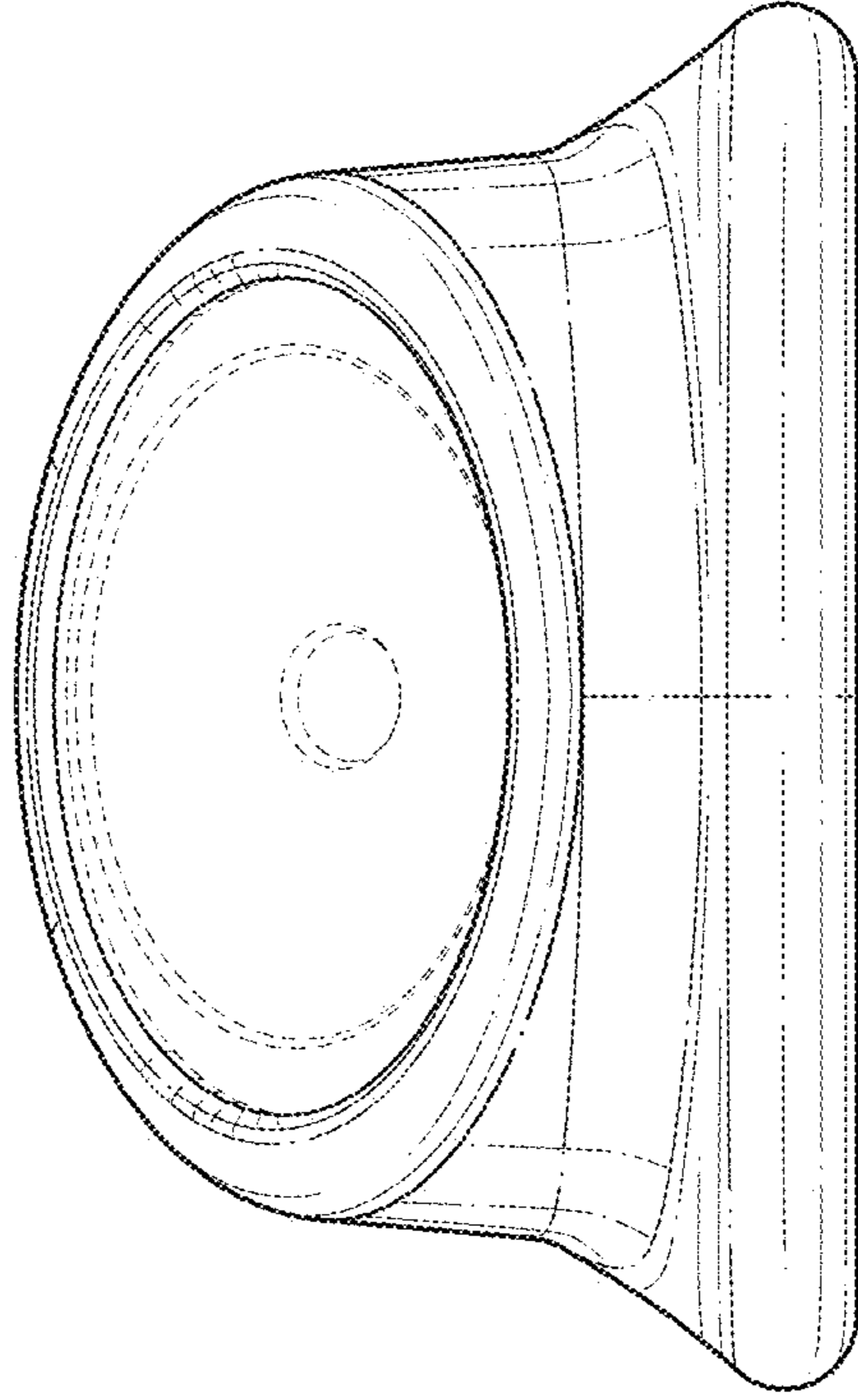


FIG. 7

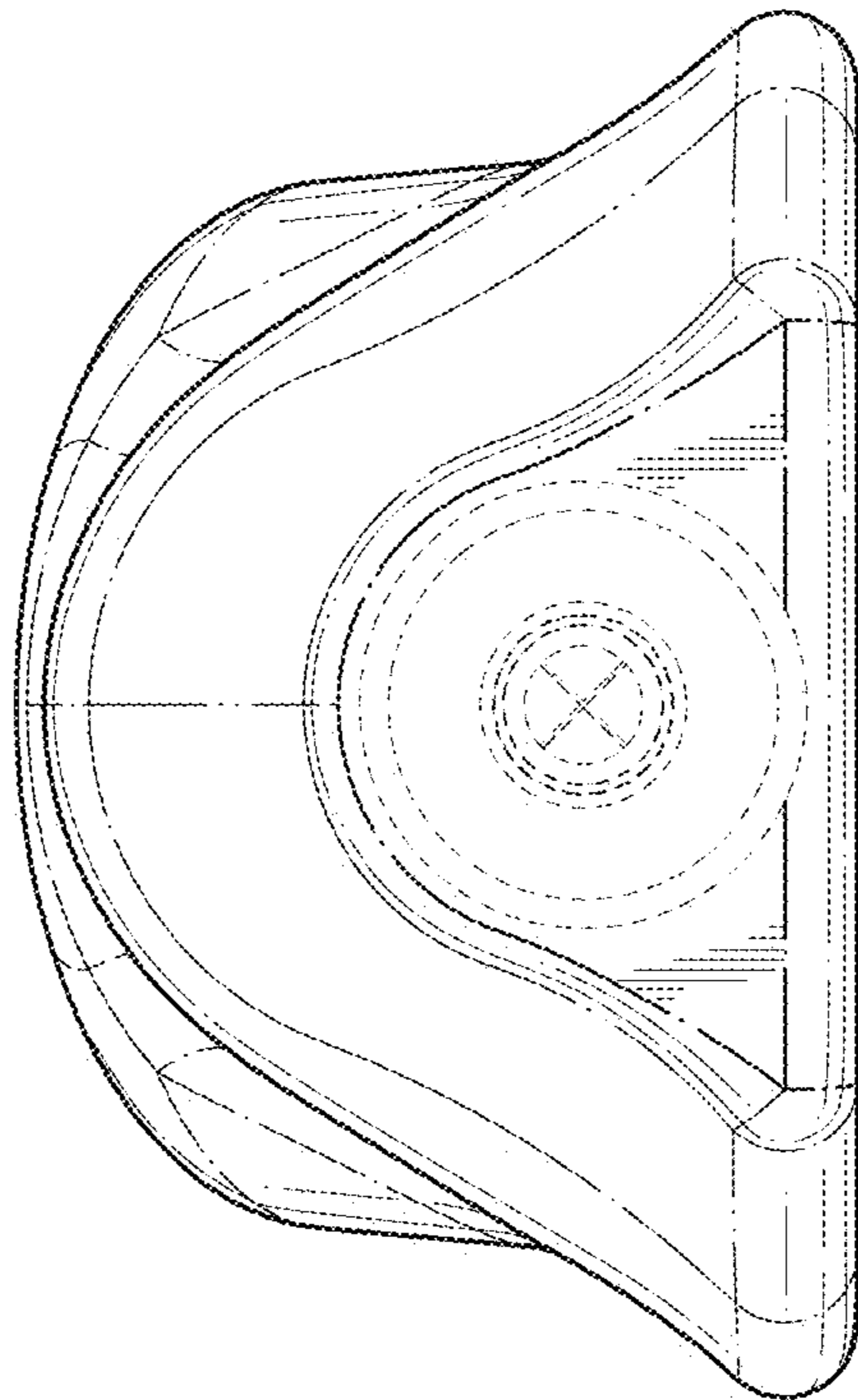


FIG. 8