



US00D870263S

(12) **United States Design Patent** (10) **Patent No.:** **US D870,263 S**  
**Adams et al.** (45) **Date of Patent:** **\*\* Dec. 17, 2019**

(54) **INFUSION SET**

(71) Applicant: **Smiths Medical ASD, Inc.**, Plymouth, MN (US)

(72) Inventors: **Grant A. Adams**, Anoka, MN (US); **James Bryan Drost**, Woodbury, MN (US); **Christopher Allen Lacy**, Arden Hills, MN (US); **Jonathan Sanborn**, St. Louis Park, MN (US); **Daniel L. Adamson**, Blaine, MN (US); **Harshad Borgaonkar**, Shoreview, MN (US); **Sameer Pai**, Plymouth, MN (US); **Sean Riley**, Minneapolis, MN (US)

(73) Assignee: **Smiths Medical ASD, Inc.**, Plymouth, MN (US)

(\*\*) Term: **15 Years**

(21) Appl. No.: **29/611,887**

(22) Filed: **Jul. 26, 2017**

(51) **LOC (12) Cl.** ..... **24-01**

(52) **U.S. Cl.**  
USPC ..... **D24/108; D24/129**

(58) **Field of Classification Search**  
USPC ..... D24/108, 111, 127-129, 169  
CPC ..... A61M 5/158; A61M 2005/1587; A61M 5/162; A61M 5/14; A61M 39/10; A61M 5/1413; A61M 39/28  
See application file for complete search history.

(56) **References Cited**

**U.S. PATENT DOCUMENTS**

4,537,561 A \* 8/1985 Xanthopoulos ..... A61M 5/142  
128/DIG. 12  
4,756,706 A 7/1988 Kerns et al.  
5,364,364 A 11/1994 Kasvikis et al.  
5,425,173 A \* 6/1995 Moss ..... A61M 5/142  
29/402.08

D367,527 S 2/1996 Marston et al.  
D371,194 S \* 6/1996 Marston ..... D24/111  
D390,654 S 2/1998 Alsberg et al.  
5,954,485 A 9/1999 Johnson et al.  
D455,489 S \* 4/2002 Beck ..... D24/111  
D501,924 S \* 2/2005 Cise ..... D24/111  
D504,507 S \* 4/2005 Ziegler ..... D24/111  
D507,647 S \* 7/2005 Beck ..... D24/111  
D523,553 S \* 6/2006 Beck ..... D24/111  
D536,783 S \* 2/2007 Cise ..... D24/111  
D586,463 S 2/2009 Evans et al.  
D626,647 S \* 11/2010 Amborn ..... D24/111  
7,967,773 B2 \* 6/2011 Amborn ..... A61M 5/14244  
417/477.2  
D642,677 S \* 8/2011 Boaz ..... D24/111

(Continued)

**FOREIGN PATENT DOCUMENTS**

WO WO 2010/023915 3/2010

*Primary Examiner* — Lilyana Bekic

(74) *Attorney, Agent, or Firm* — Patterson Thuent Pedersen, P.A.

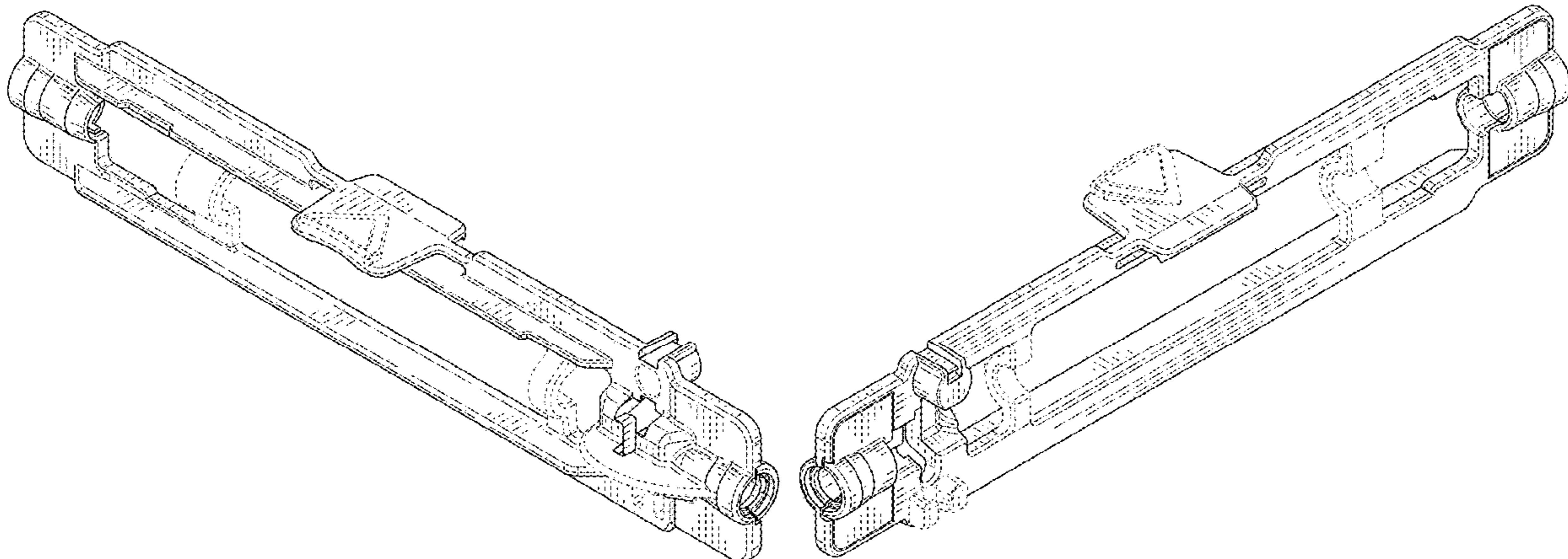
(57) **CLAIM**

We claim the ornamental design for an infusion set, as shown and described.

**DESCRIPTION**

FIG. 1 is a front perspective view of an infusion set.  
FIG. 2 is a front elevation view thereof.  
FIG. 3 is a rear elevation view thereof.  
FIG. 4 is a right side elevation view thereof.  
FIG. 5 is a left side elevation view thereof.  
FIG. 6 is a top plan view thereof.  
FIG. 7 is a bottom plan view thereof; and,  
FIG. 8 is a rear perspective view thereof.  
Items shown in dash-dash broken lines depict portions of the infusion set that form no part of the claimed invention. The dash-dot broken lines represent the bounds of the claimed design and form no part thereof.

**1 Claim, 5 Drawing Sheets**





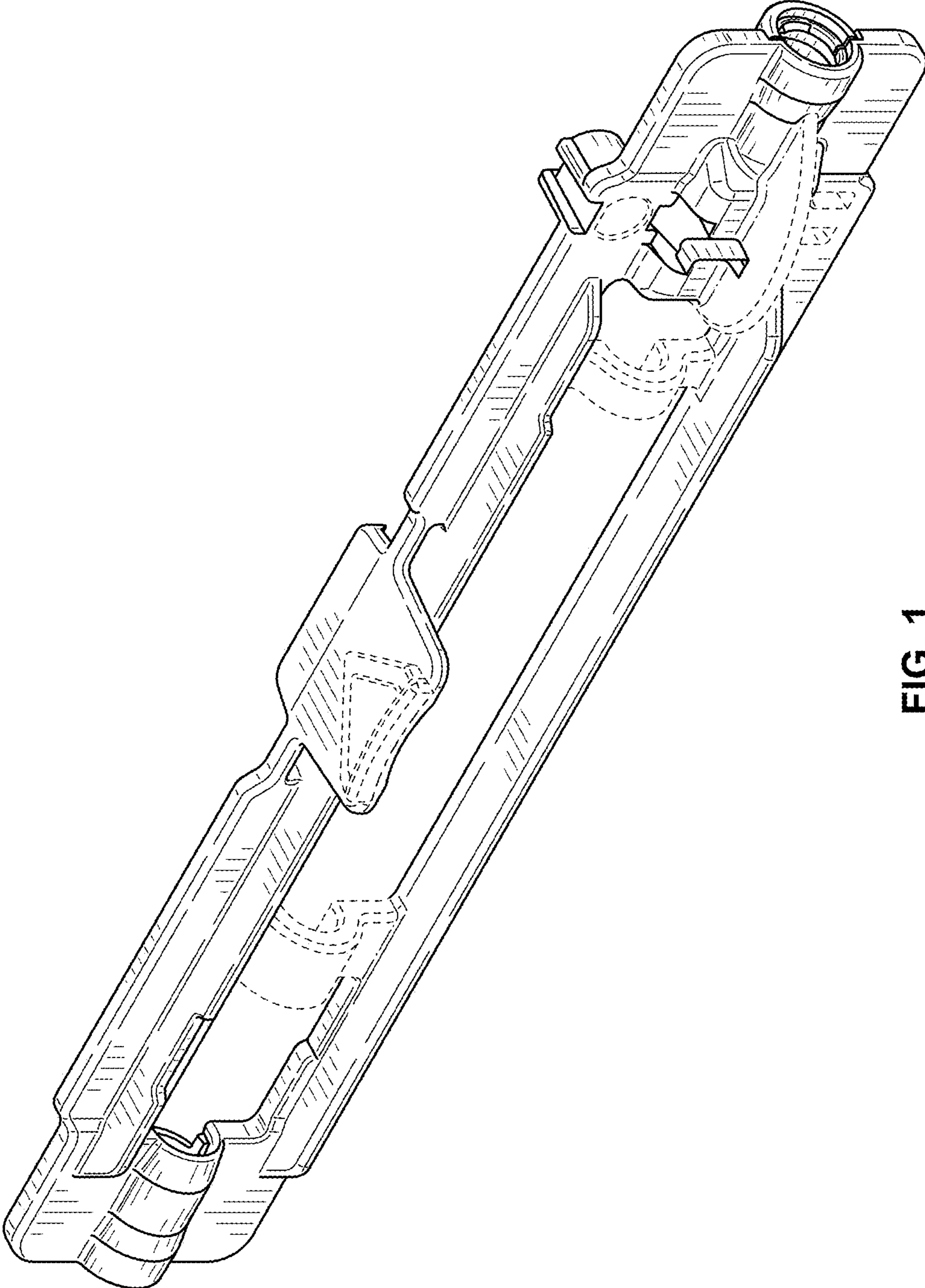


FIG. 1

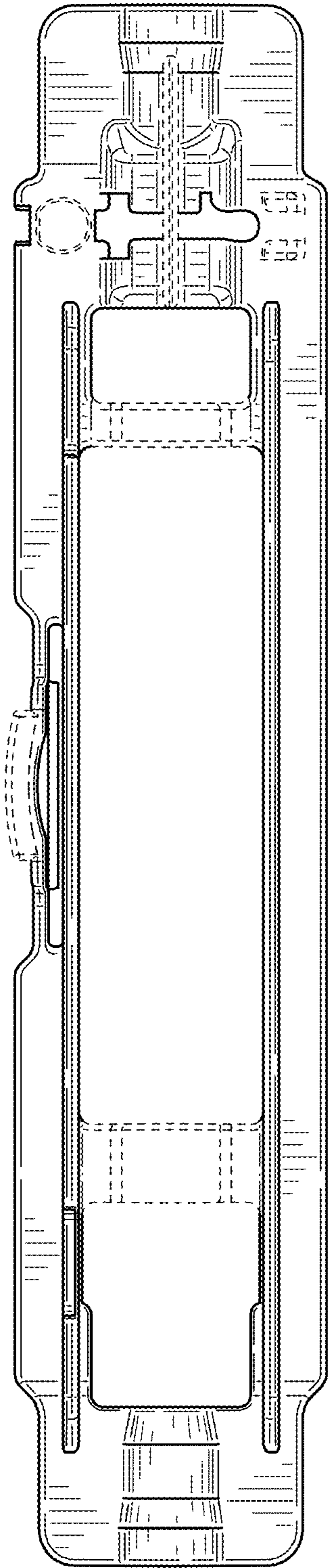


FIG. 2

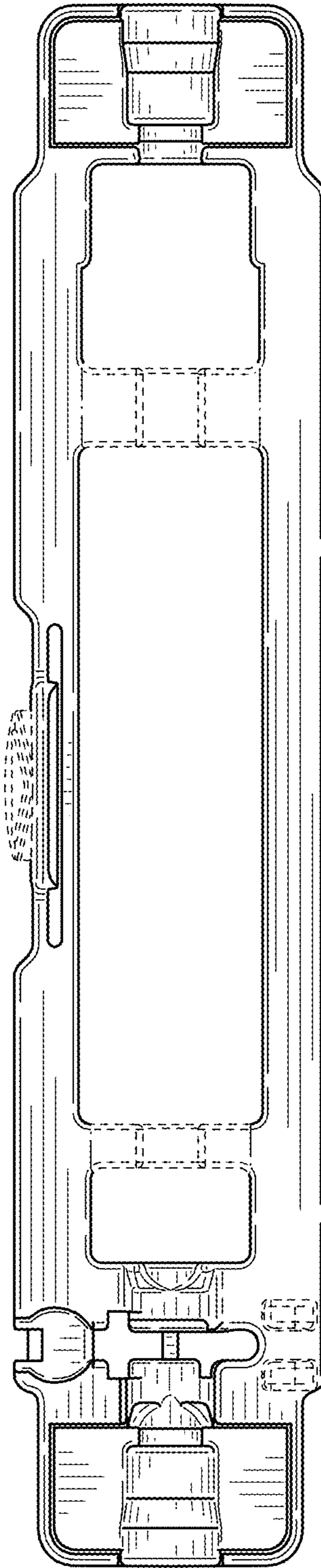


FIG. 3

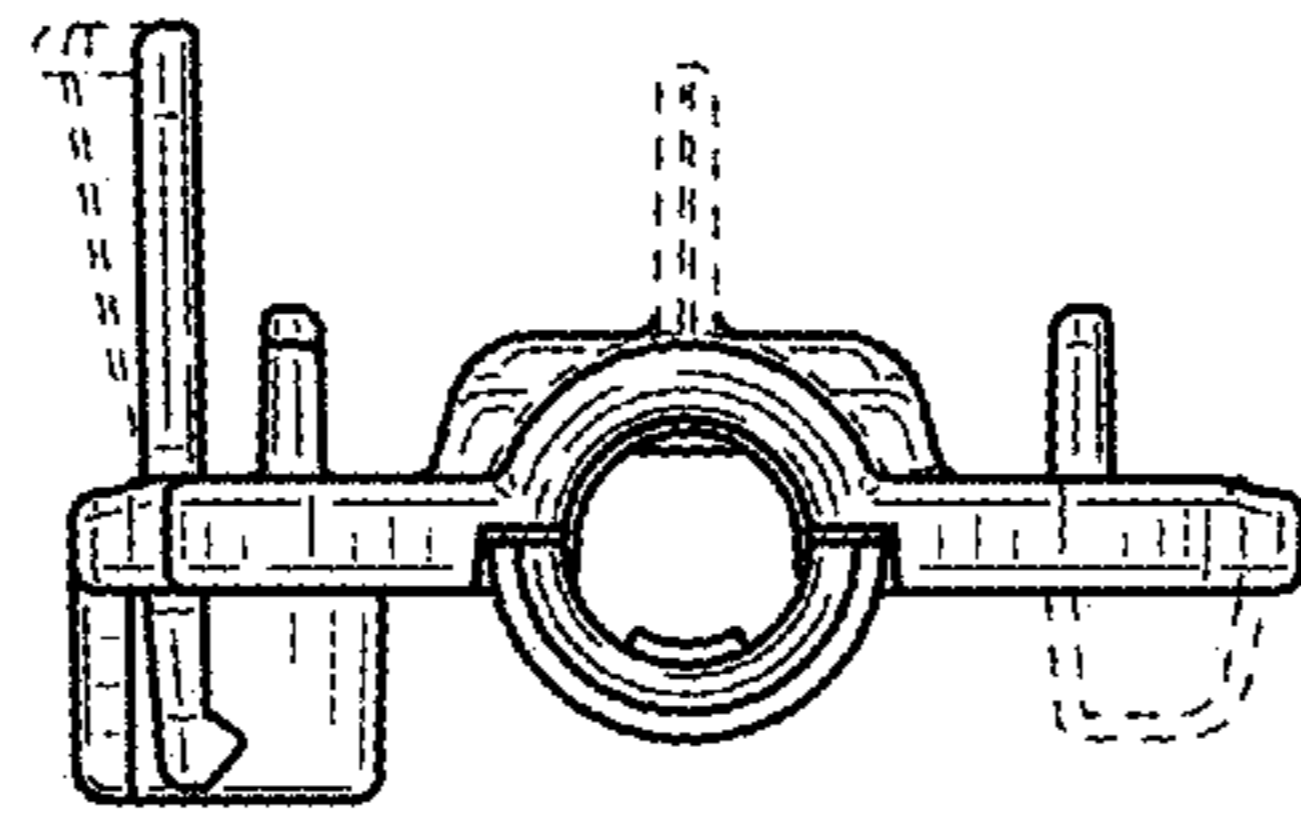


FIG. 5

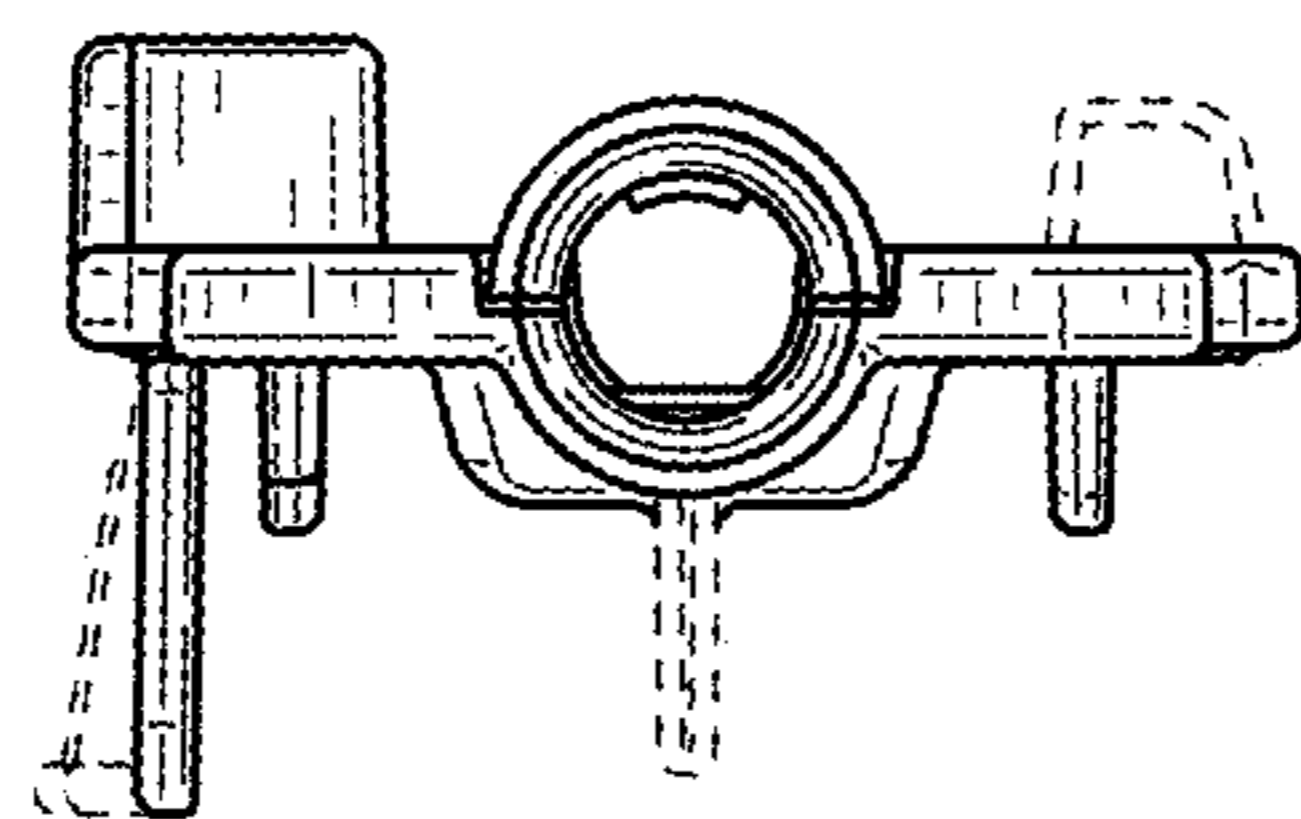


FIG. 4

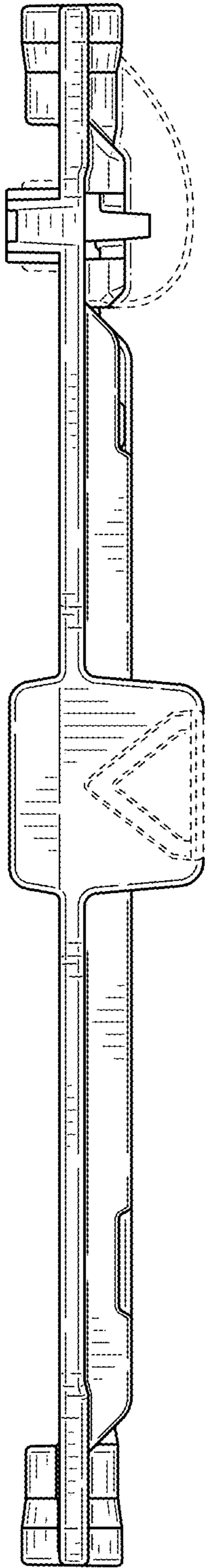


FIG. 6

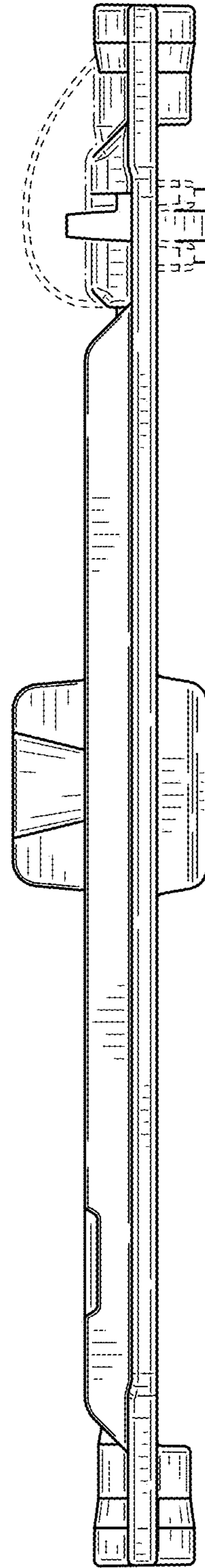


FIG. 7

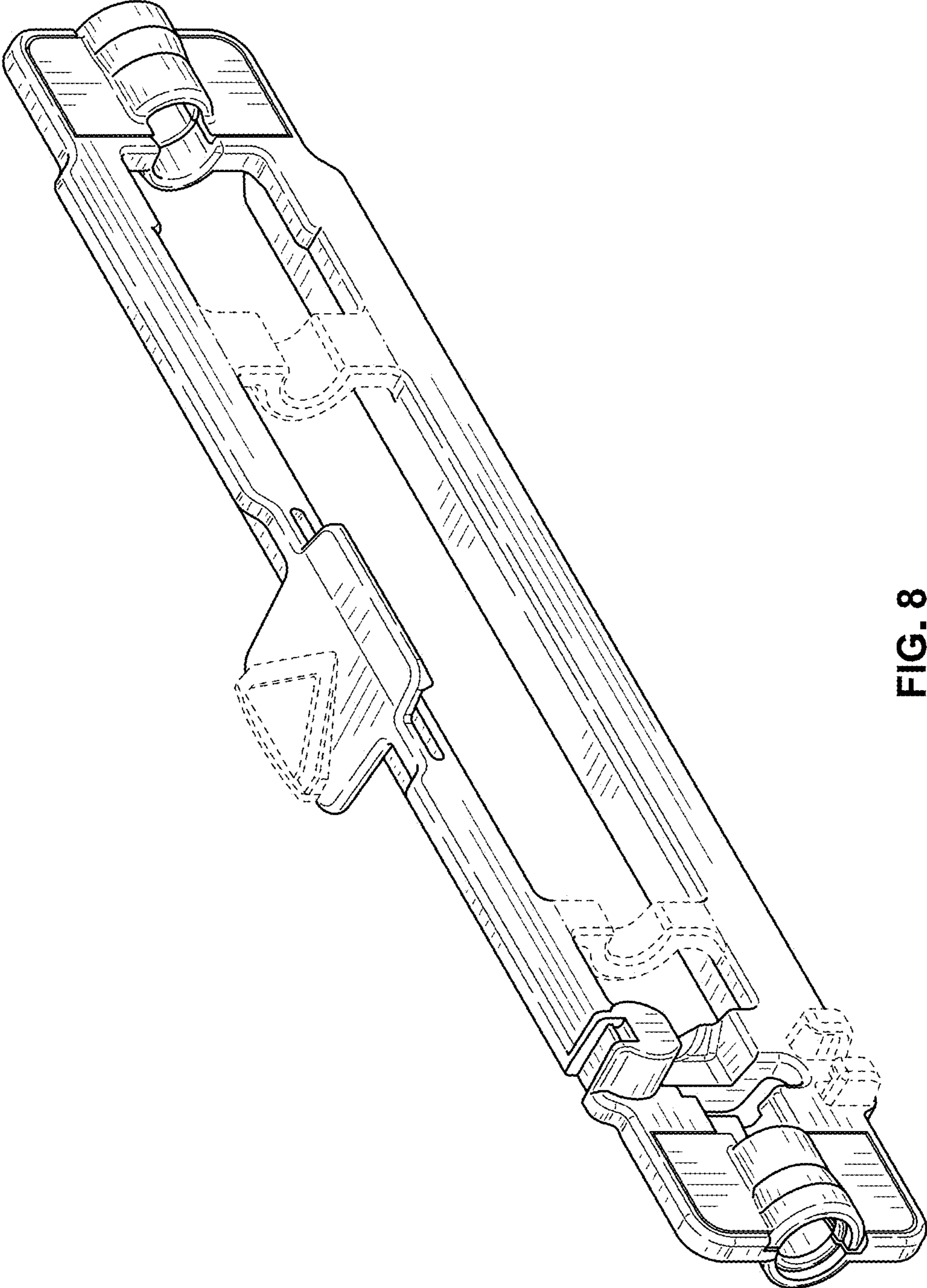


FIG. 8