



US00D870259S

(12) **United States Design Patent**  
**Hidalgo**

(10) **Patent No.:** **US D870,259 S**

(45) **Date of Patent:** **\*\* Dec. 17, 2019**

(54) **FAN WITH CAGE**

(71) Applicant: **Minka Lighting, Inc.**, Corona, CA  
(US)

(72) Inventor: **Rolando Hidalgo**, Yorba Linda, CA  
(US)

(73) Assignee: **Minka Lighting, Inc.**, Corona, CA  
(US)

(\*\*) Term: **15 Years**

(21) Appl. No.: **29/672,170**

(22) Filed: **Dec. 3, 2018**

**Related U.S. Application Data**

(63) Continuation of application No. 29/650,775, filed on Jun. 8, 2018, now Pat. No. Des. 835,252.

(51) **LOC (12) Cl.** ..... **23-04**

(52) **U.S. Cl.**  
USPC ..... **D23/382; D23/385**

(58) **Field of Classification Search**  
USPC ..... D23/370-379, 381-385, 411-414, 360,  
D23/314, 335, 332; D26/59  
CPC ..... F04D 5/00; F04D 27/00; F24H 3/04  
See application file for complete search history.

(56) **References Cited**

**U.S. PATENT DOCUMENTS**

D196,397 S \* 9/1963 Knapp ..... D23/411  
D329,696 S \* 9/1992 Ediger ..... D23/411

D429,810 S \* 8/2000 Lee ..... D23/411  
D489,809 S \* 5/2004 Gajewski ..... D23/411  
D523,550 S \* 6/2006 Hidalgo ..... D23/411  
D591,842 S \* 5/2009 Young ..... D23/380  
D594,965 S \* 6/2009 Bucher ..... D23/411  
D737,949 S \* 9/2015 He ..... D23/382  
D737,950 S \* 9/2015 He ..... D23/382  
D773,633 S \* 12/2016 Wang ..... D23/385  
D808,510 S \* 1/2018 Gajewski ..... D23/377  
D835,252 S \* 12/2018 Hidalgo ..... D23/382  
D835,253 S \* 12/2018 Hidalgo ..... D23/382  
D835,256 S \* 12/2018 Hidalgo ..... D23/411  
2008/0286114 A1 \* 11/2008 Young ..... F04D 29/601  
416/244 R

\* cited by examiner

*Primary Examiner* — Janice Hallmark

(74) *Attorney, Agent, or Firm* — Seyfarth Shaw LLP

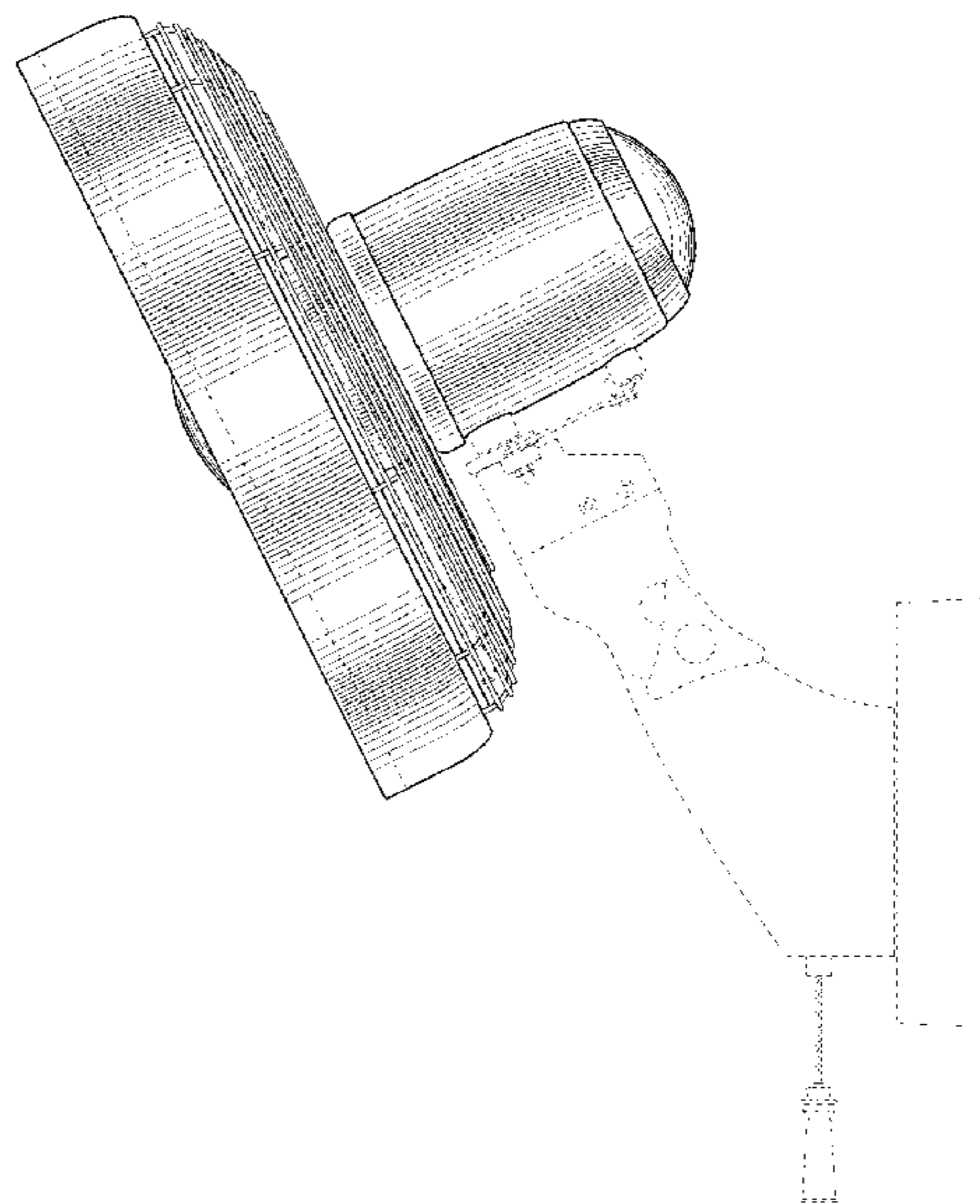
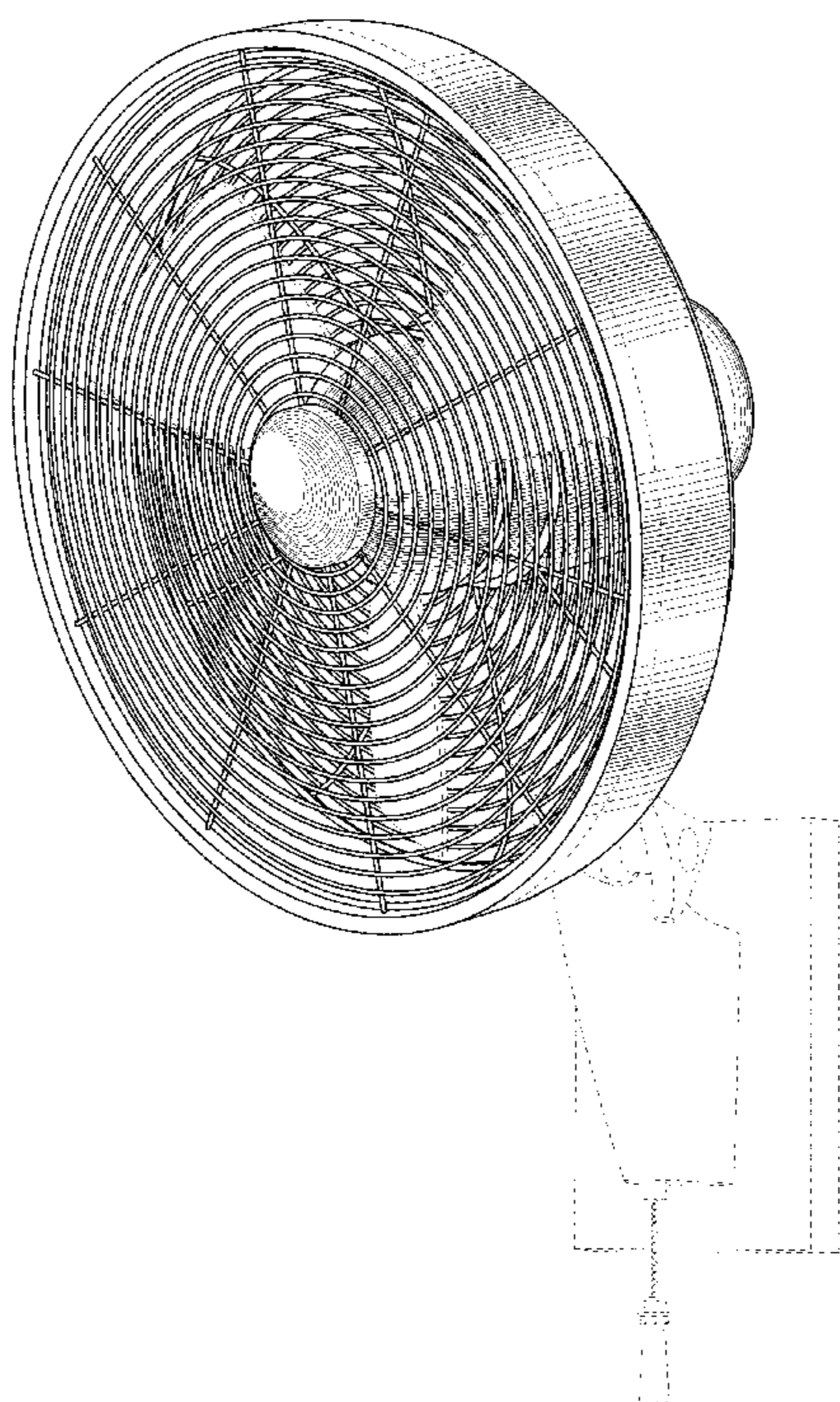
(57) **CLAIM**

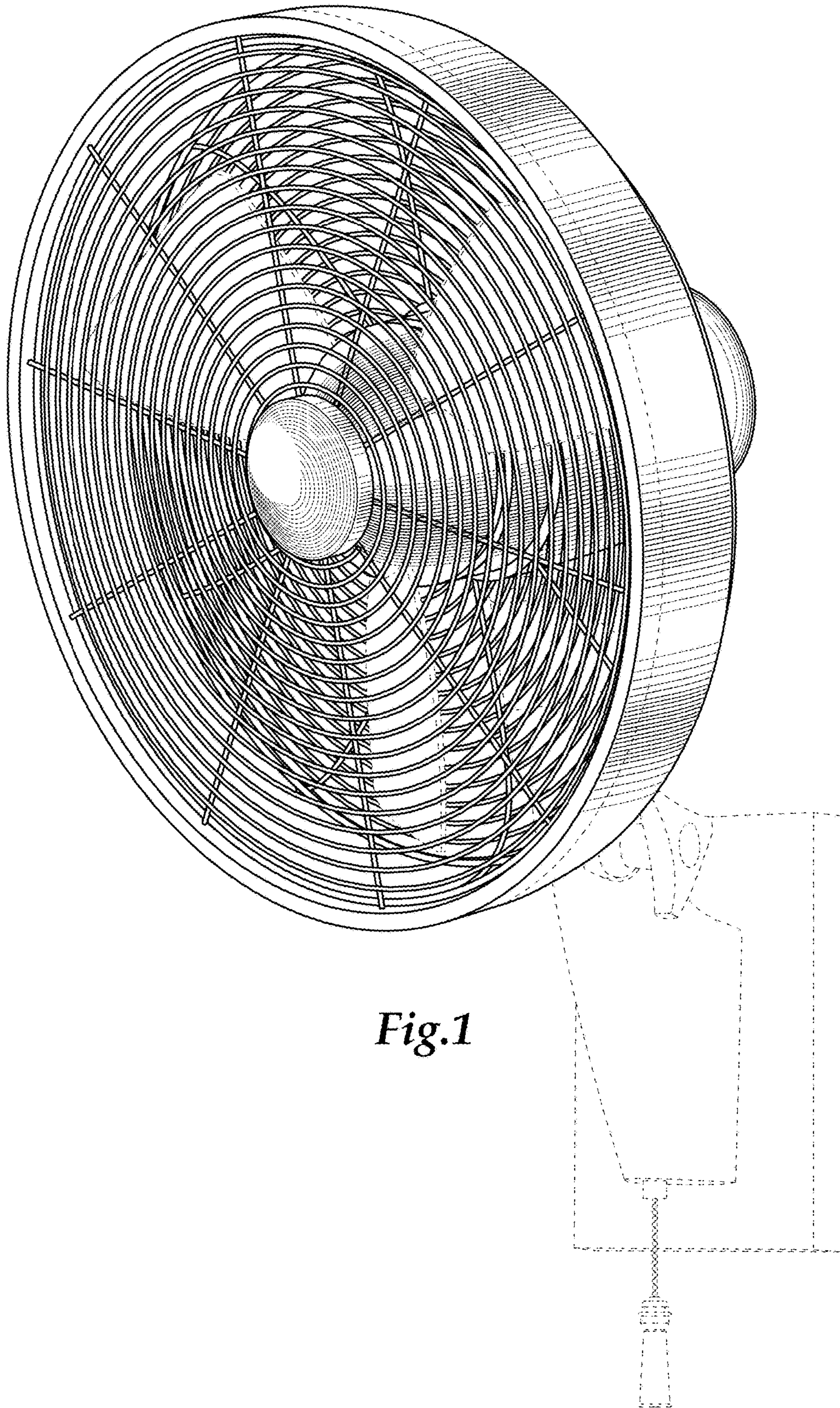
The ornamental design for a fan with cage, as shown and described.

**DESCRIPTION**

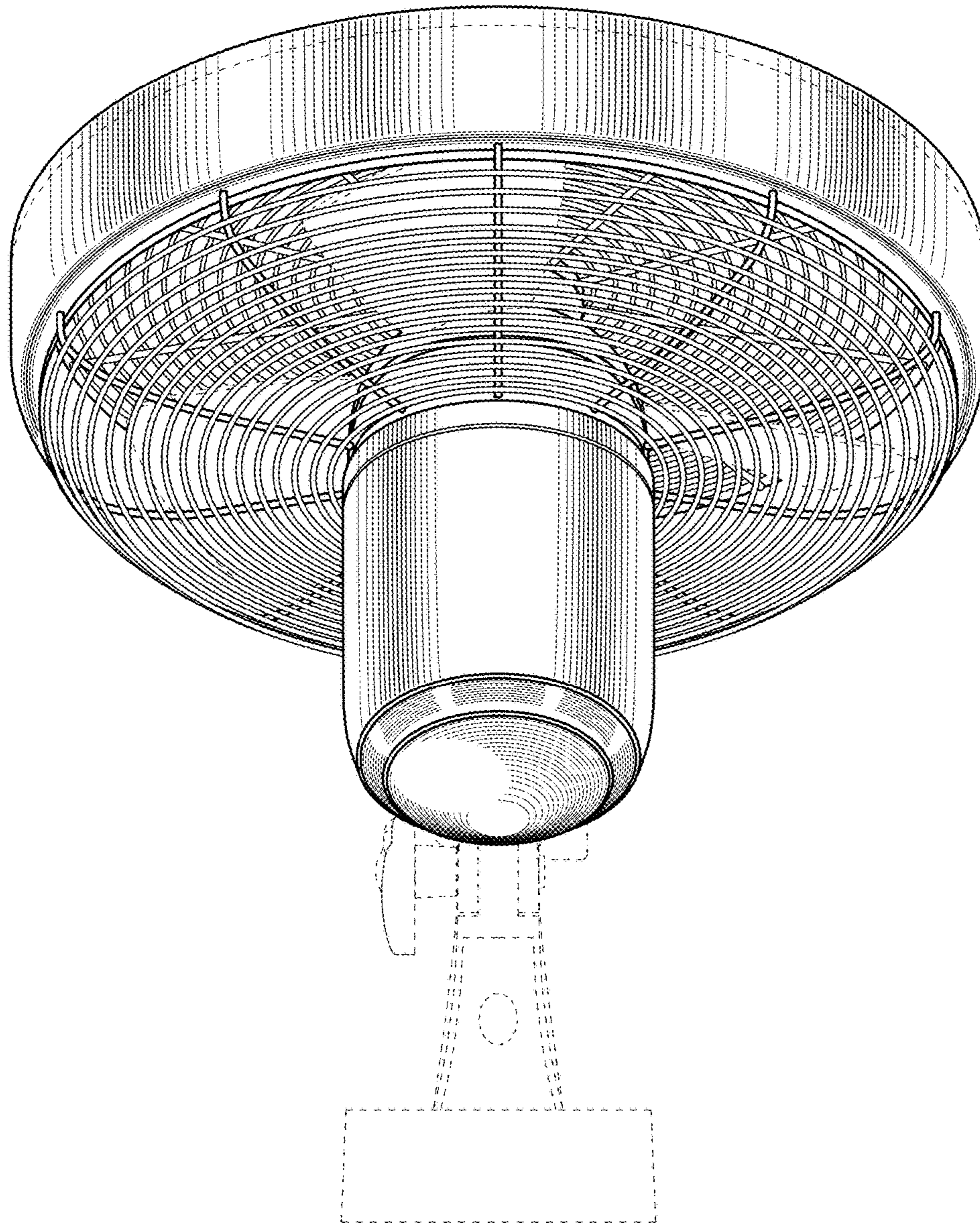
FIG. 1 is a perspective view of a fan with cage in accordance with my design;  
FIG. 2 is a top plan view thereof;  
FIG. 3 is a bottom plan view thereof;  
FIG. 4 is a front elevation view thereof;  
FIG. 5 is a rear elevation view thereof;  
FIG. 6 is a left elevation view thereof; and,  
FIG. 7 is a right elevation view thereof.  
The broken lines in the drawings illustrate portions of a fan that form no part of the claimed design.

**1 Claim, 7 Drawing Sheets**

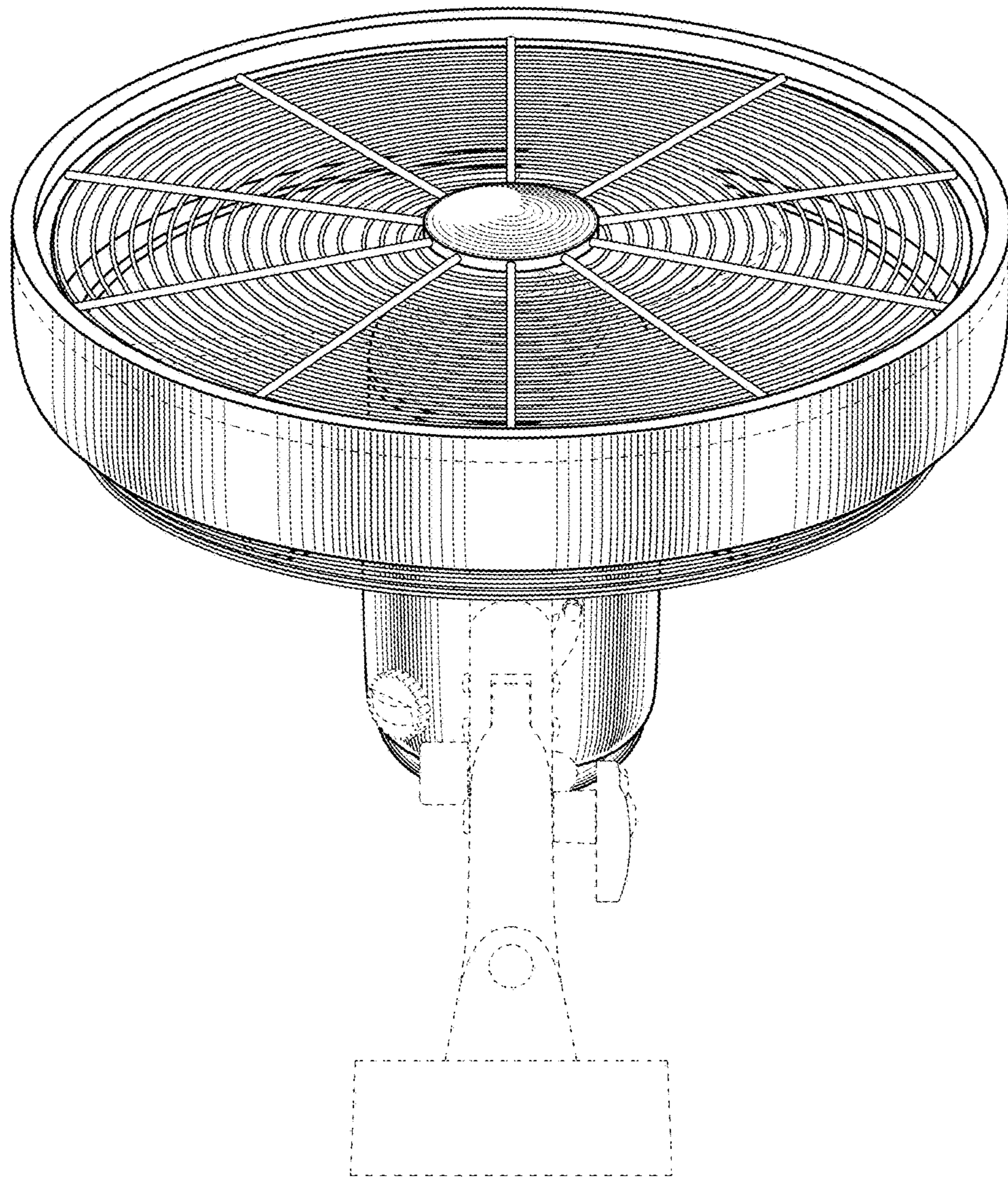




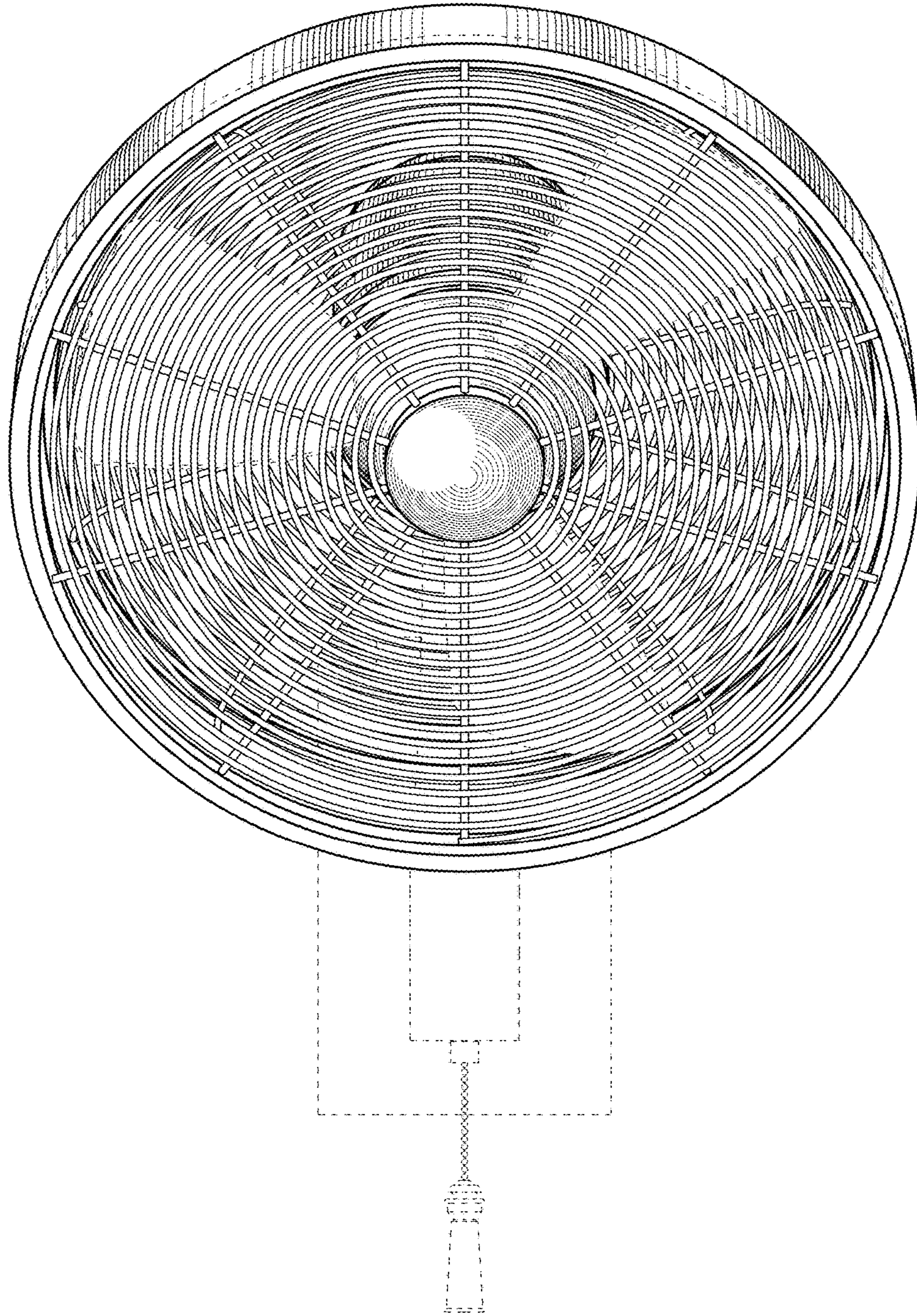
*Fig.1*



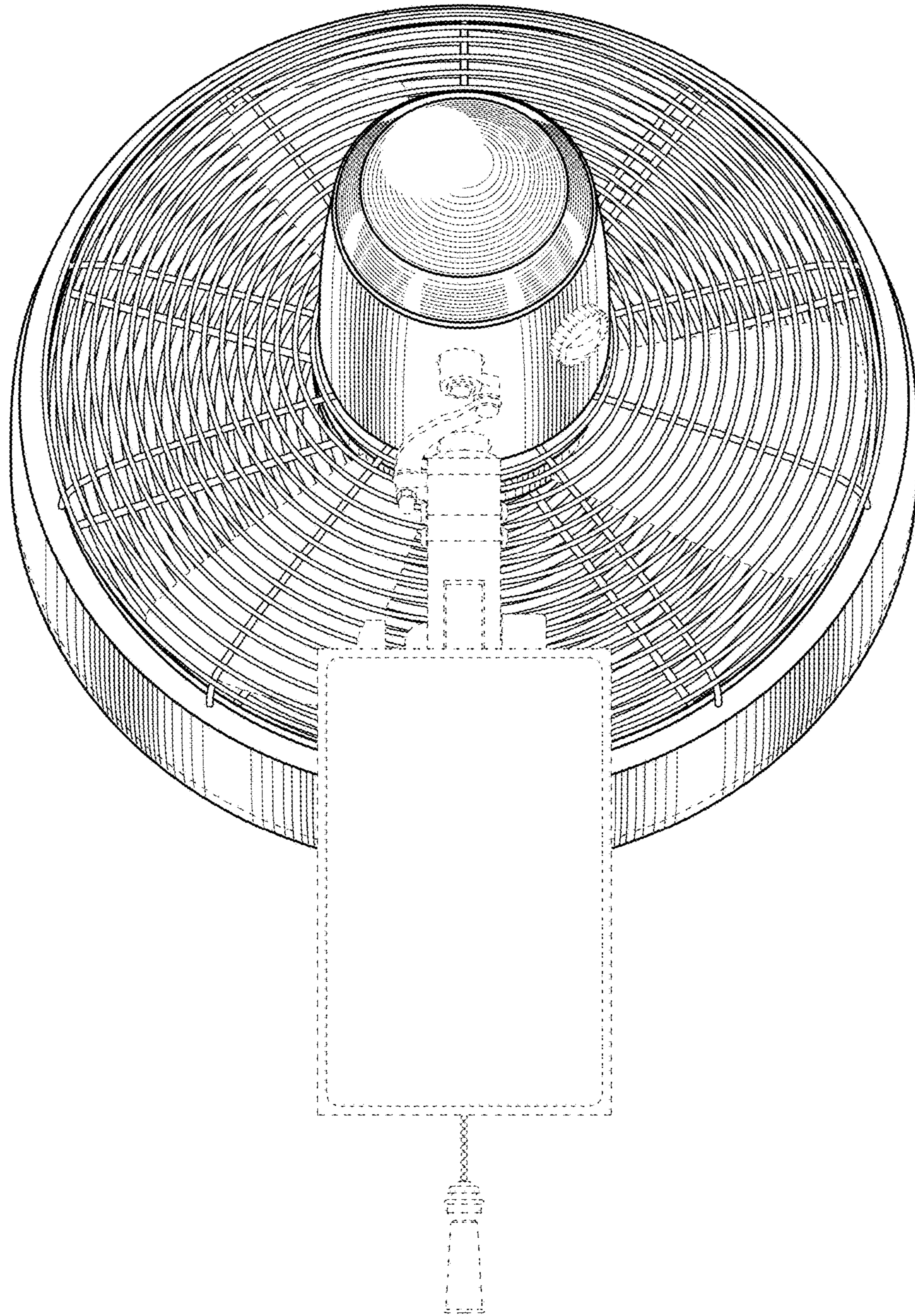
*Fig.2*



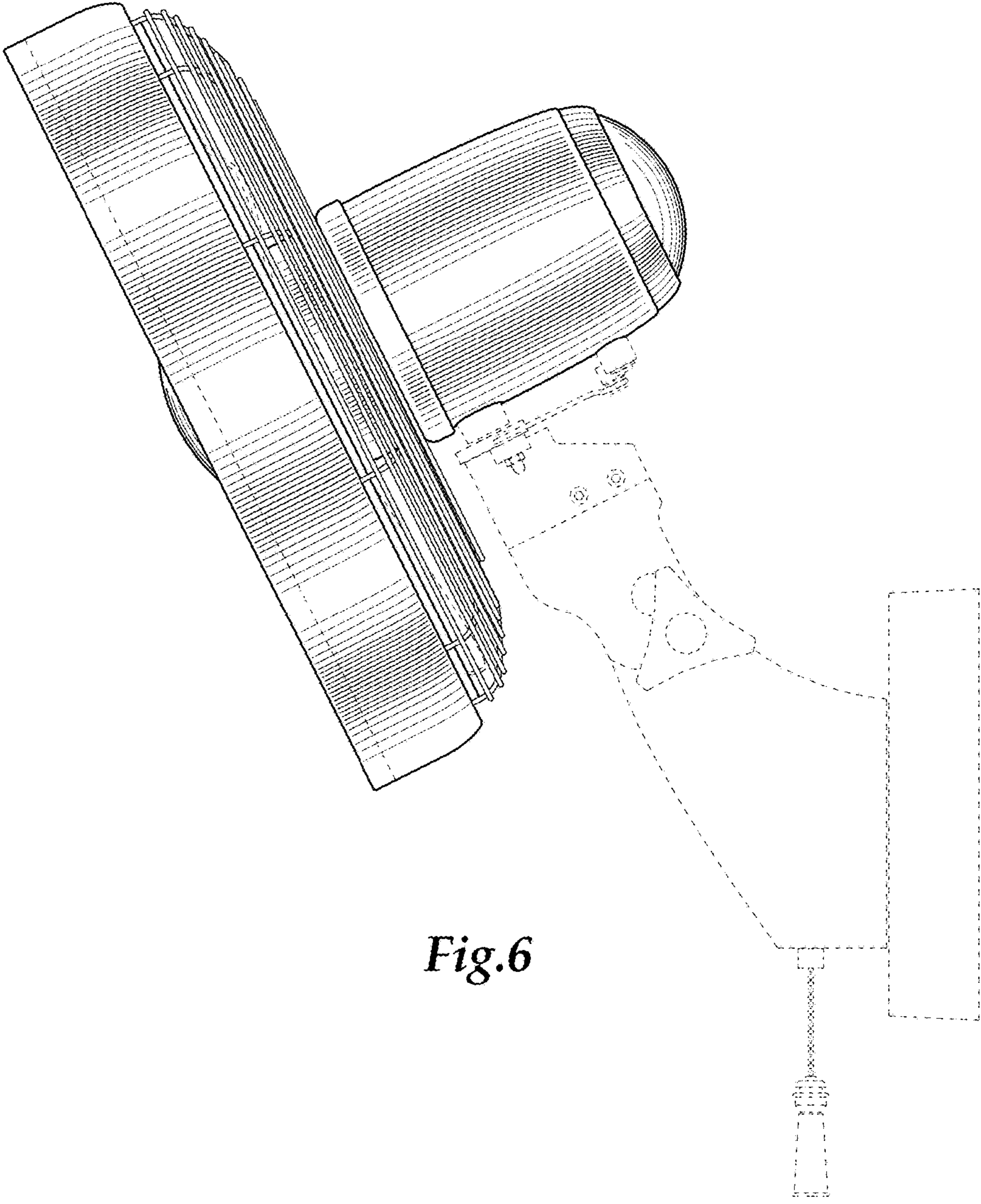
*Fig.3*



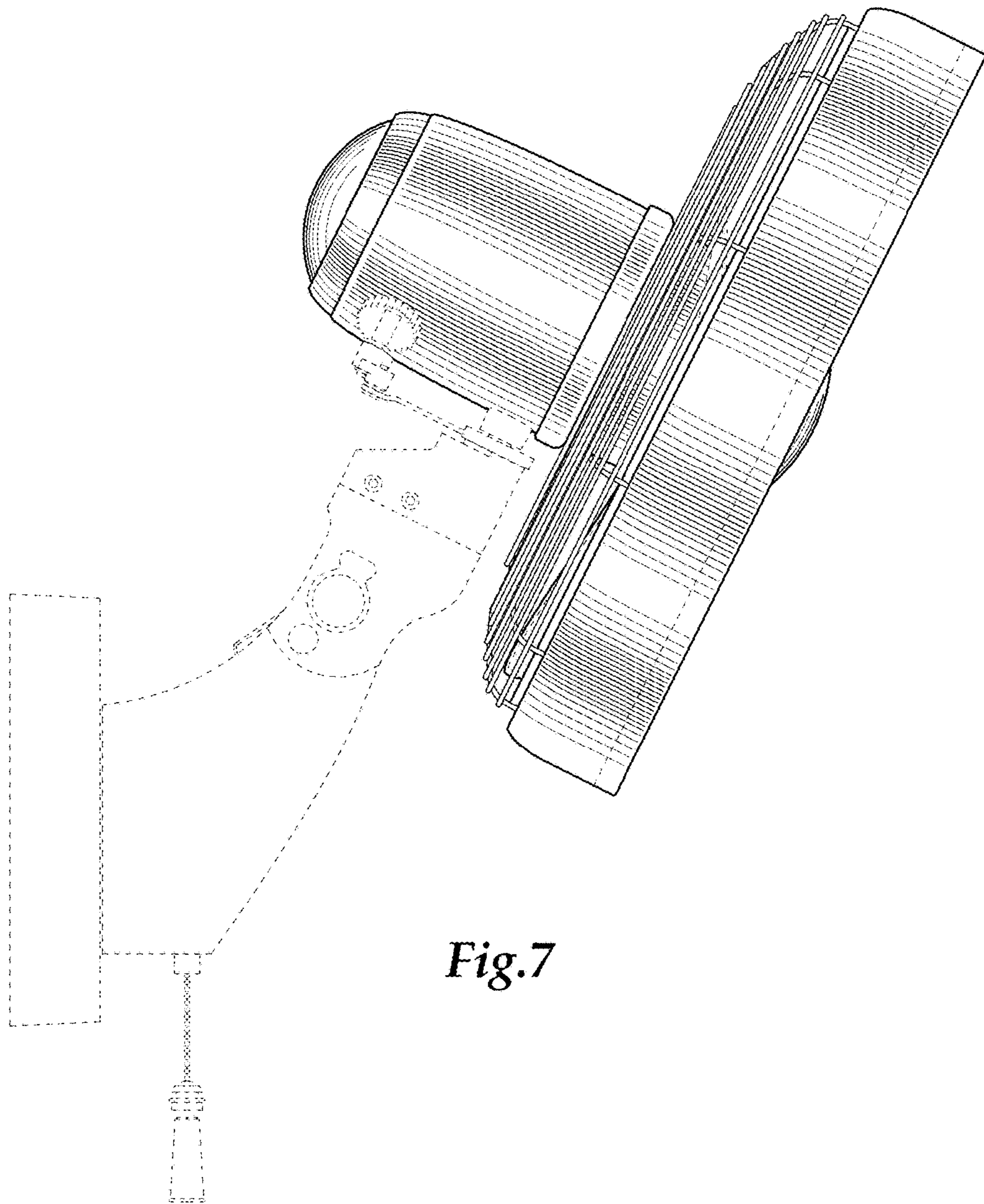
*Fig.4*



*Fig.5*



*Fig.6*



*Fig.7*