

US00D870255S

(12) **United States Design Patent** (10) **Patent No.:** **US D870,255 S**
Ao (45) **Date of Patent:** **** Dec. 17, 2019**

(54) **AIR PURIFIER**

(71) Applicant: **SHENZHEN XILUO TECHNOLOGY CO., LTD.**, Shenzhen, Guangdong (CN)

(72) Inventor: **Chengqian Ao**, Guangdong (CN)

(73) Assignee: **SHENZHEN XILUO TECHNOLOGY CO., LTD.**, Shenzhen (CN)

(**) Term: **15 Years**

(21) Appl. No.: **29/613,561**

(22) Filed: **Aug. 11, 2017**

(51) **LOC (12) Cl.** **23-04**

(52) **U.S. Cl.**
USPC **D23/364**

(58) **Field of Classification Search**
USPC D23/355-366, 352, 369, 332, 333, 335, D23/336, 342, 351; 422/120, 122; 55/356, 473, 504; 96/97; 261/DIG. 17, 261/DIG. 65, DIG. 88, DIG. 31
CPC A61L 9/16; A61L 9/22; B01D 2259/4508; B03C 3/155; B03C 3/368; F24F 3/16; F24F 13/20; F24F 2001/0096; F24F 3/1405; F24F 3/1603; F24F 13/222
See application file for complete search history.

(56) **References Cited**

U.S. PATENT DOCUMENTS

D406,331 S * 3/1999 Chan D23/332
D630,719 S * 1/2011 Wu D23/366

D684,250 S * 6/2013 Hubert D23/356
D700,959 S * 3/2014 Sickinger D23/355
D707,337 S * 6/2014 McDonnell D23/356
D720,446 S * 12/2014 Ellis D23/355
D728,770 S * 5/2015 Dyson D23/342
D746,425 S * 12/2015 Dyson D23/356
9,249,809 B2 * 2/2016 Nock B03C 3/32
D770,022 S * 10/2016 Breit D23/328
D770,023 S * 10/2016 Bertani D23/332
D771,786 S * 11/2016 Canipe D23/328
D831,813 S * 10/2018 Davis D23/366

* cited by examiner

Primary Examiner — David G Muller

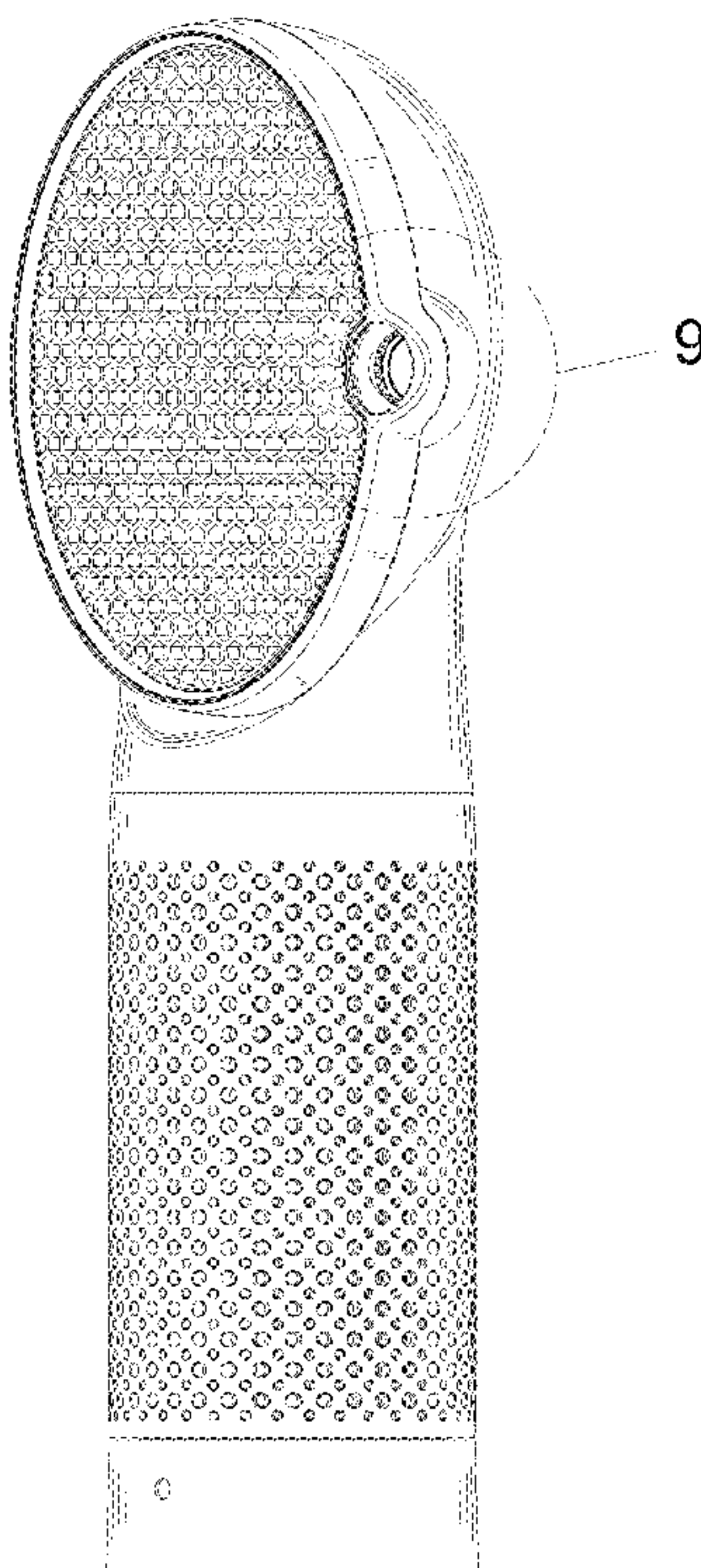
(57) **CLAIM**

The ornamental design for an air purifier, as shown and described.

DESCRIPTION

FIG. 1 is a first perspective view of an air purifier showing my new design;
FIG. 2 is a second perspective view thereof;
FIG. 3 is a front elevational view thereof;
FIG. 4 is a rear elevational view thereof;
FIG. 5 is a left side view thereof;
FIG. 6 is a right side view thereof;
FIG. 7 is a top plan view thereof;
FIG. 8 is a bottom plan view thereof;
FIG. 9 is an enlarged view of portion 9 of FIG. 1; and,
FIG. 10 is an enlarged view of portion 10 of FIG. 8.
The broken lines in the drawings illustrate portions of the air purifier which form no part of the claimed design.

1 Claim, 10 Drawing Sheets



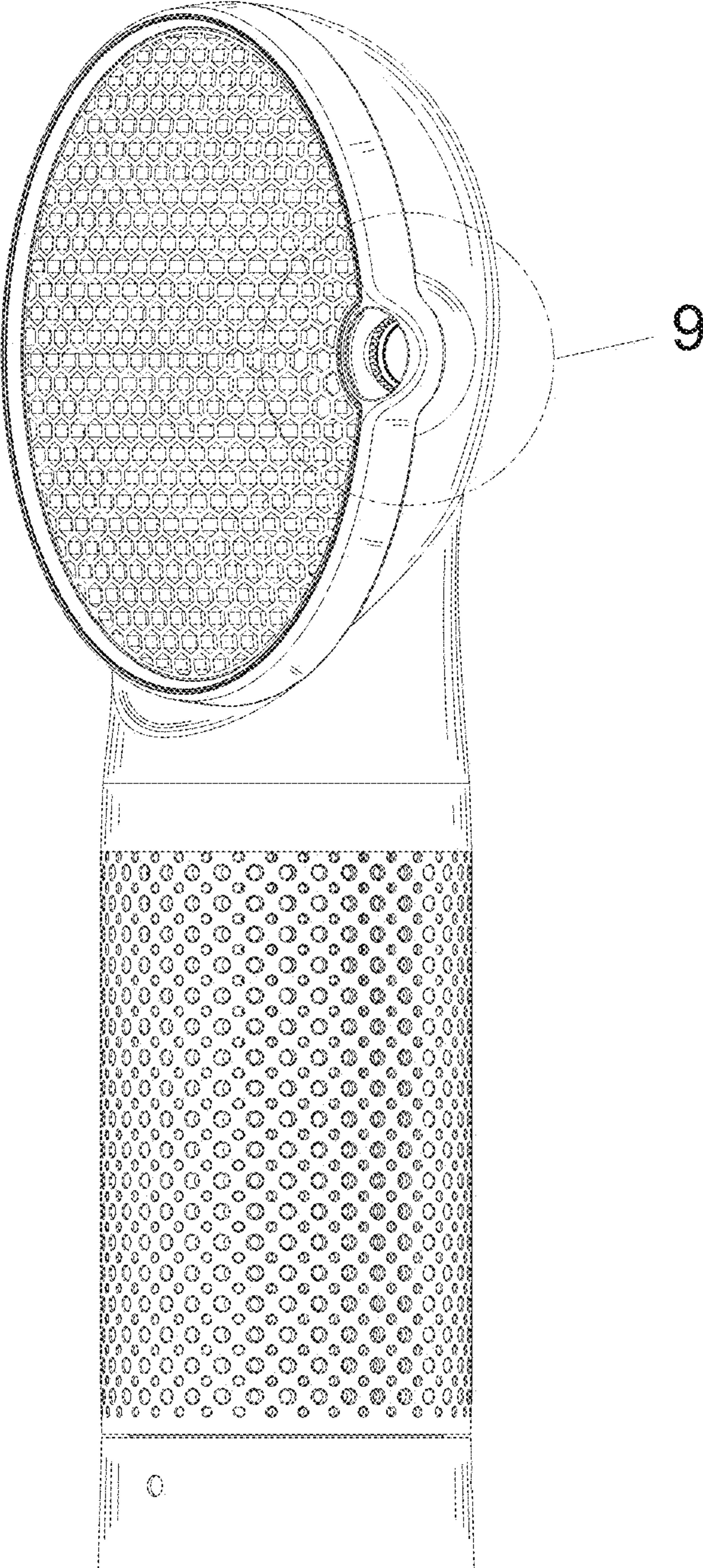


Fig. 1

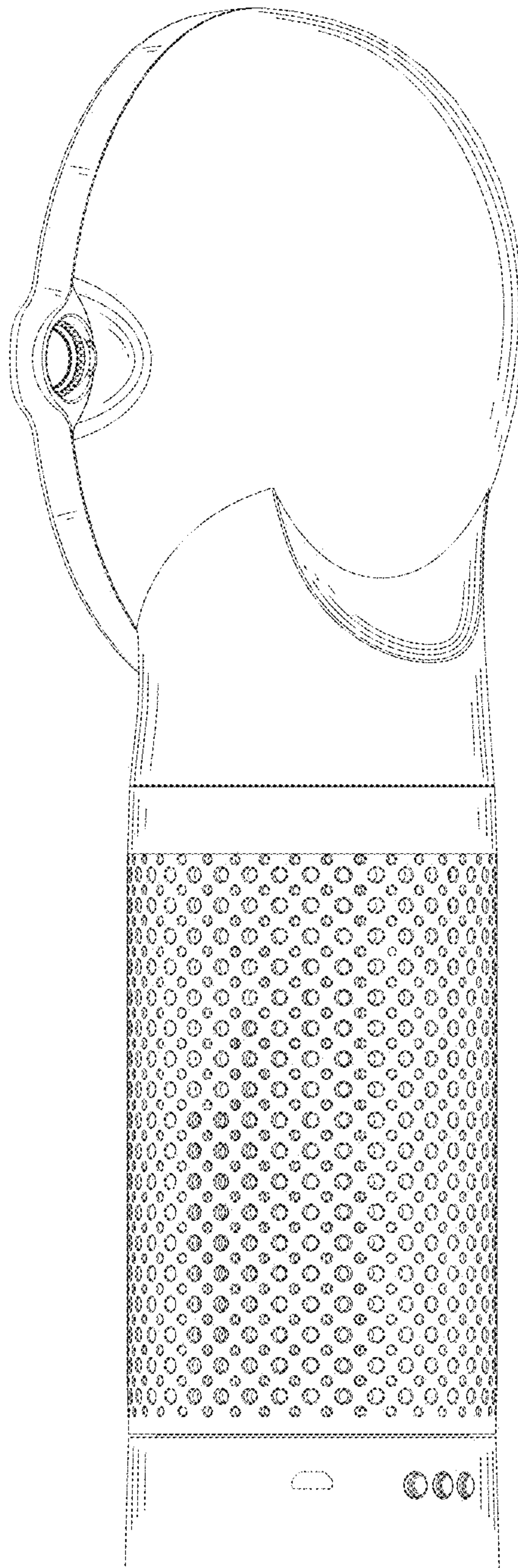


Fig. 2

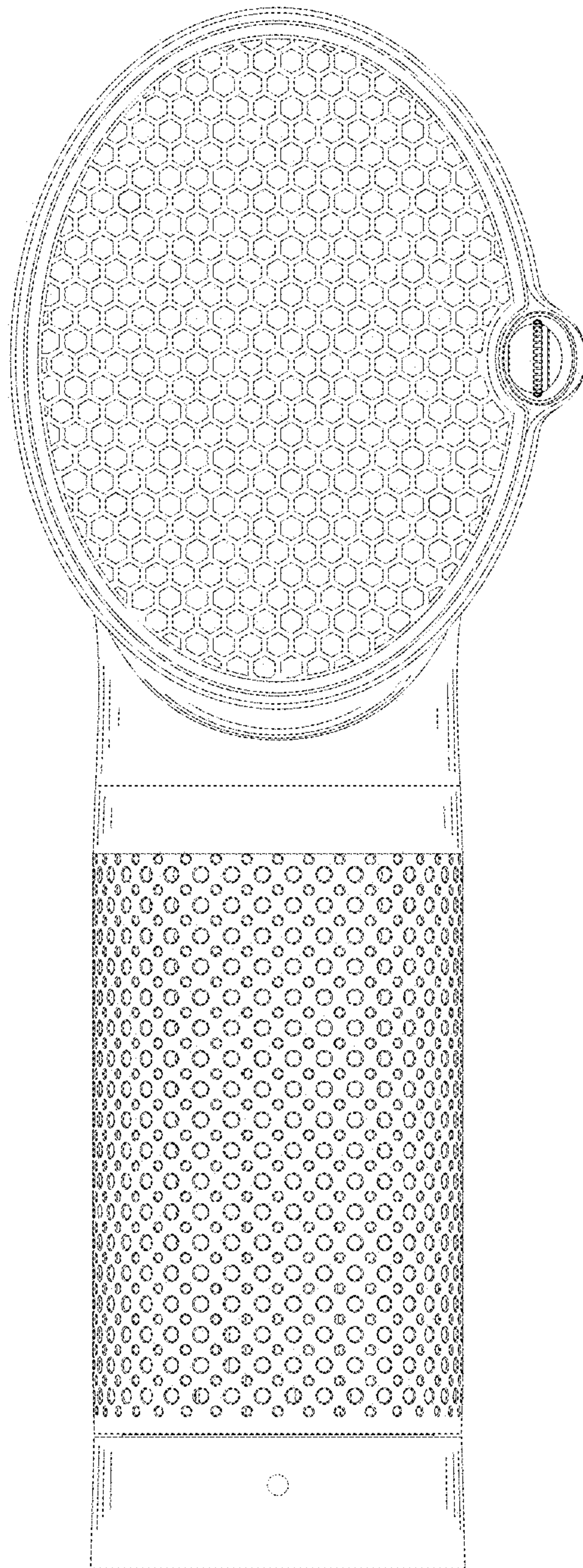


Fig. 3

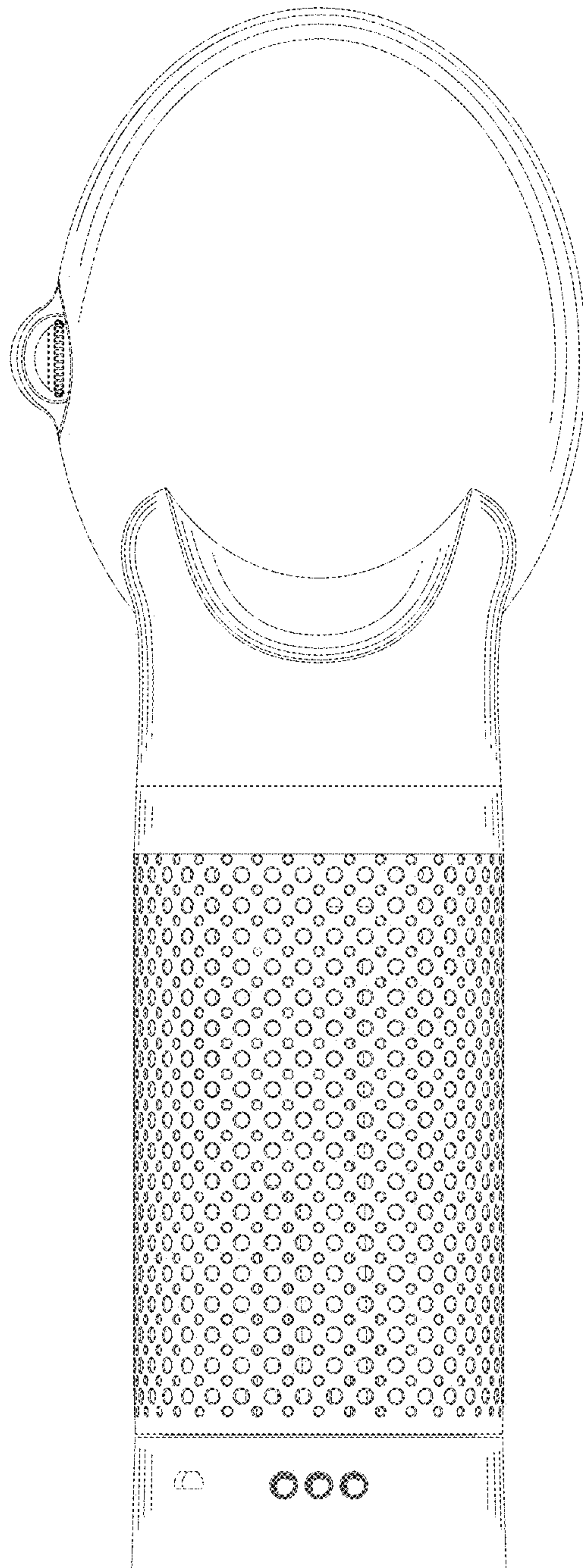


Fig. 4

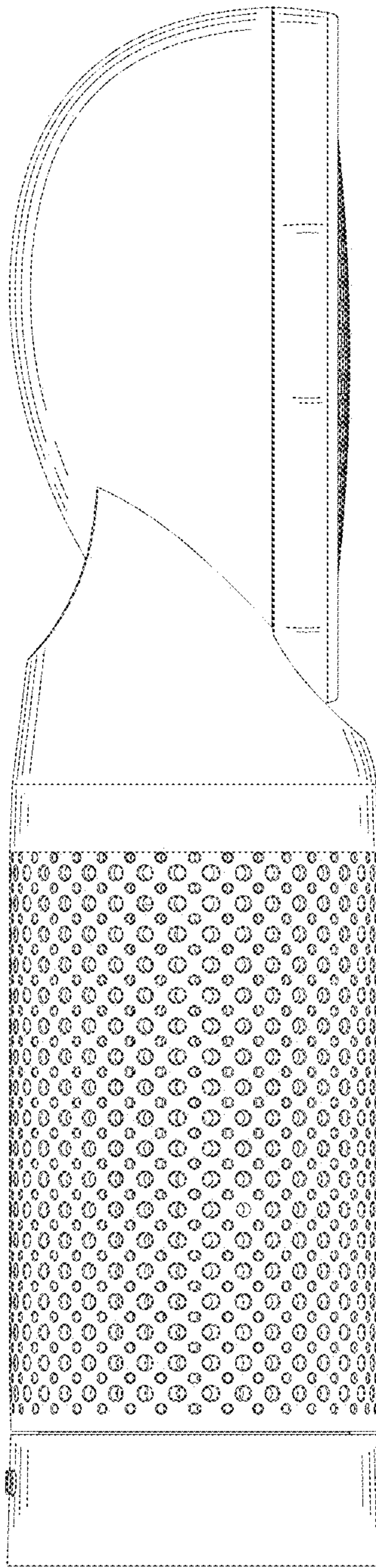


Fig. 5

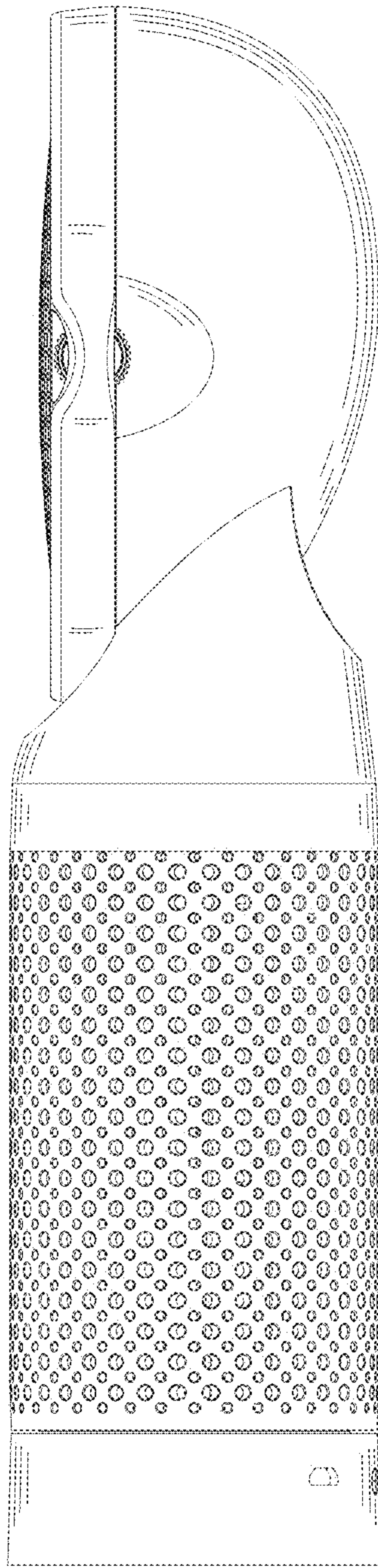


Fig. 6

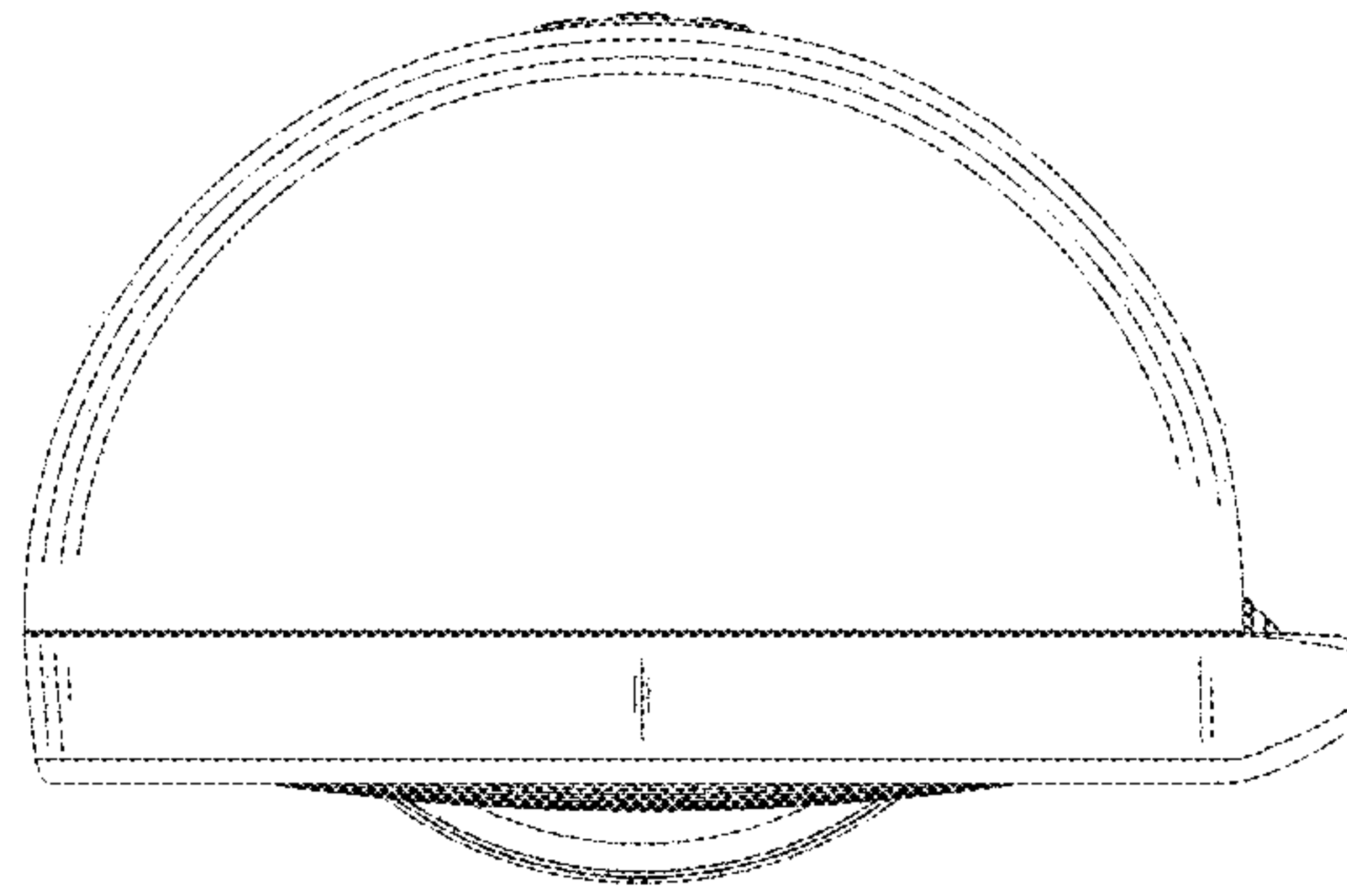


Fig. 7

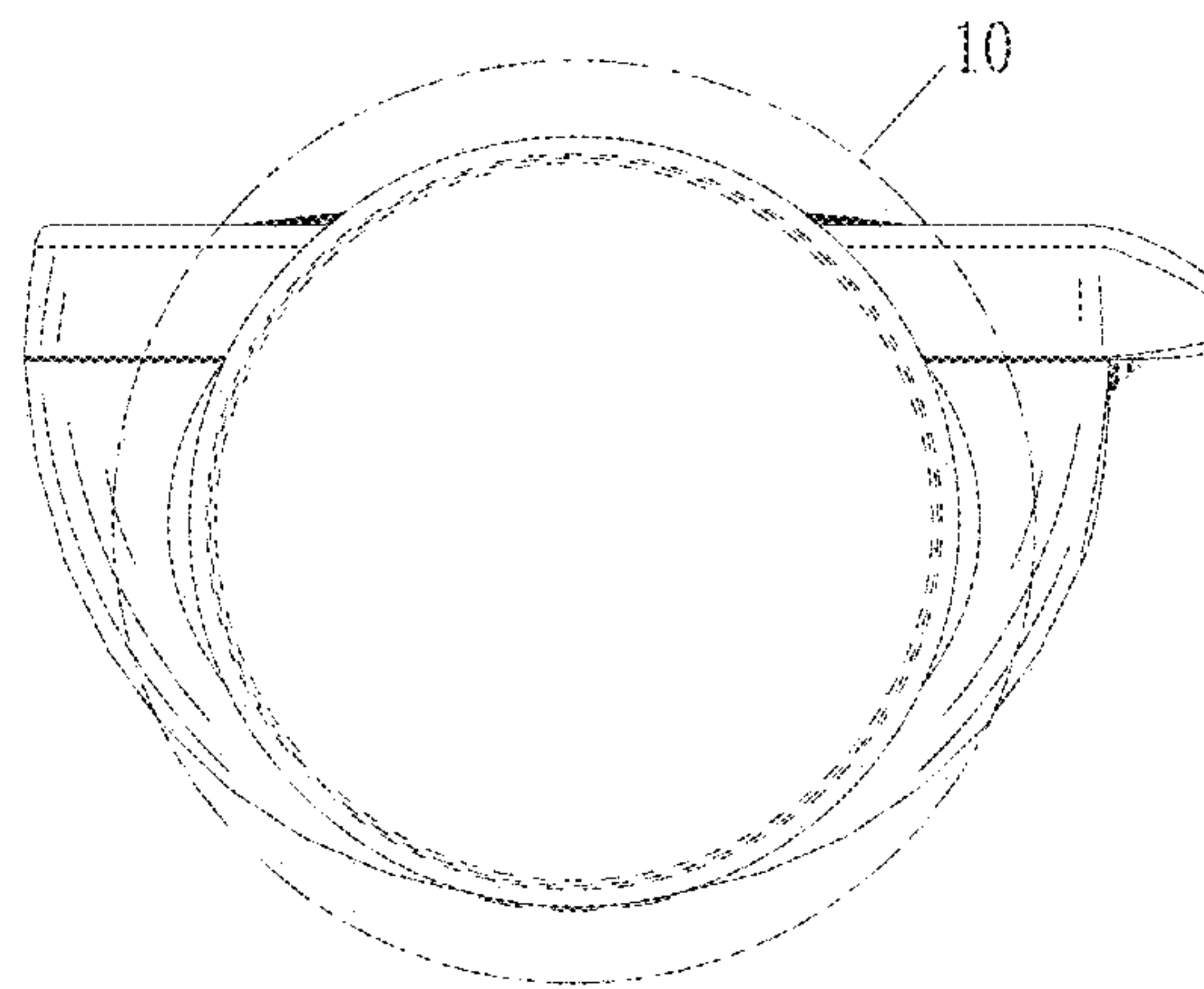


Fig. 8

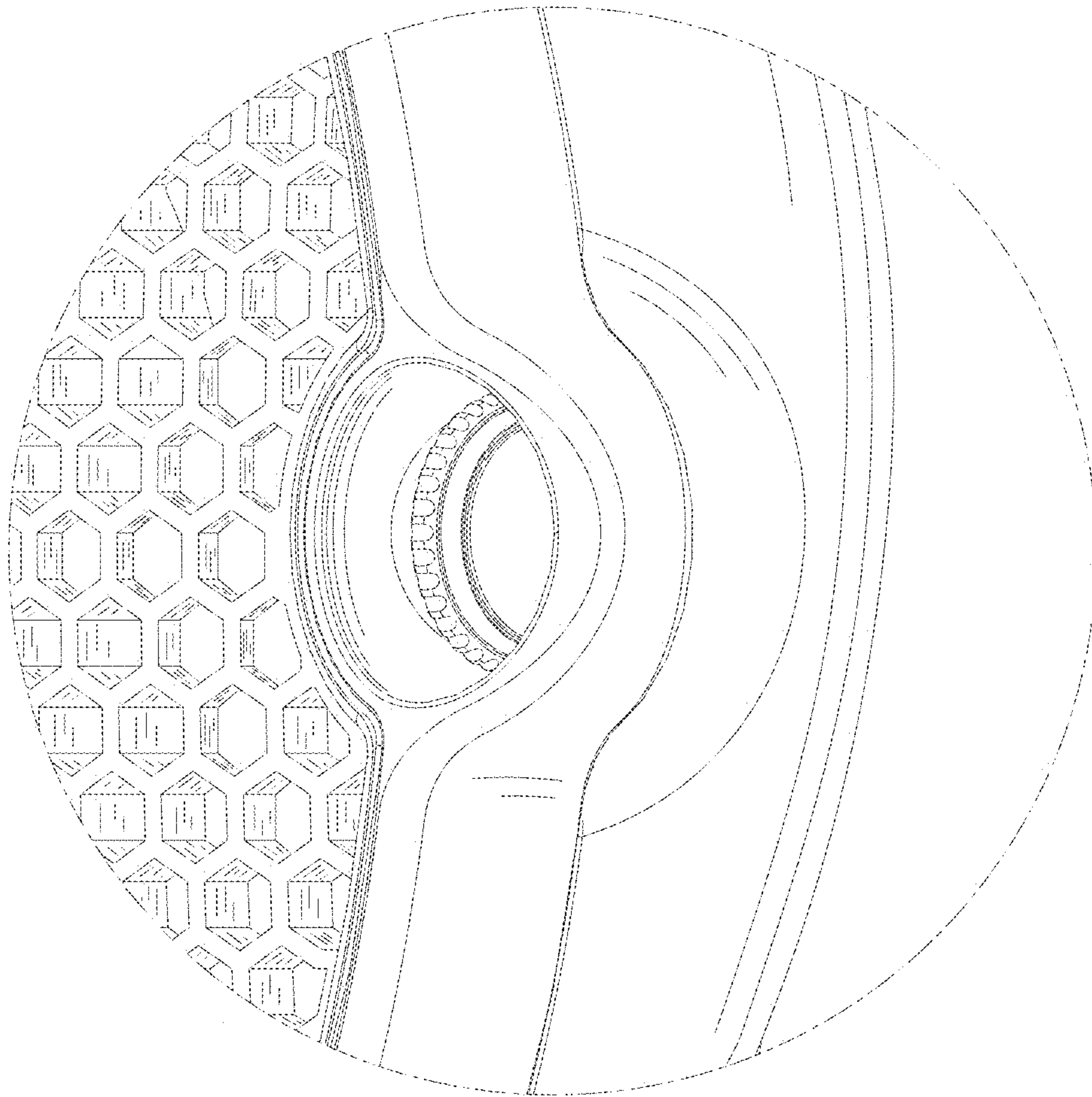


Fig. 9

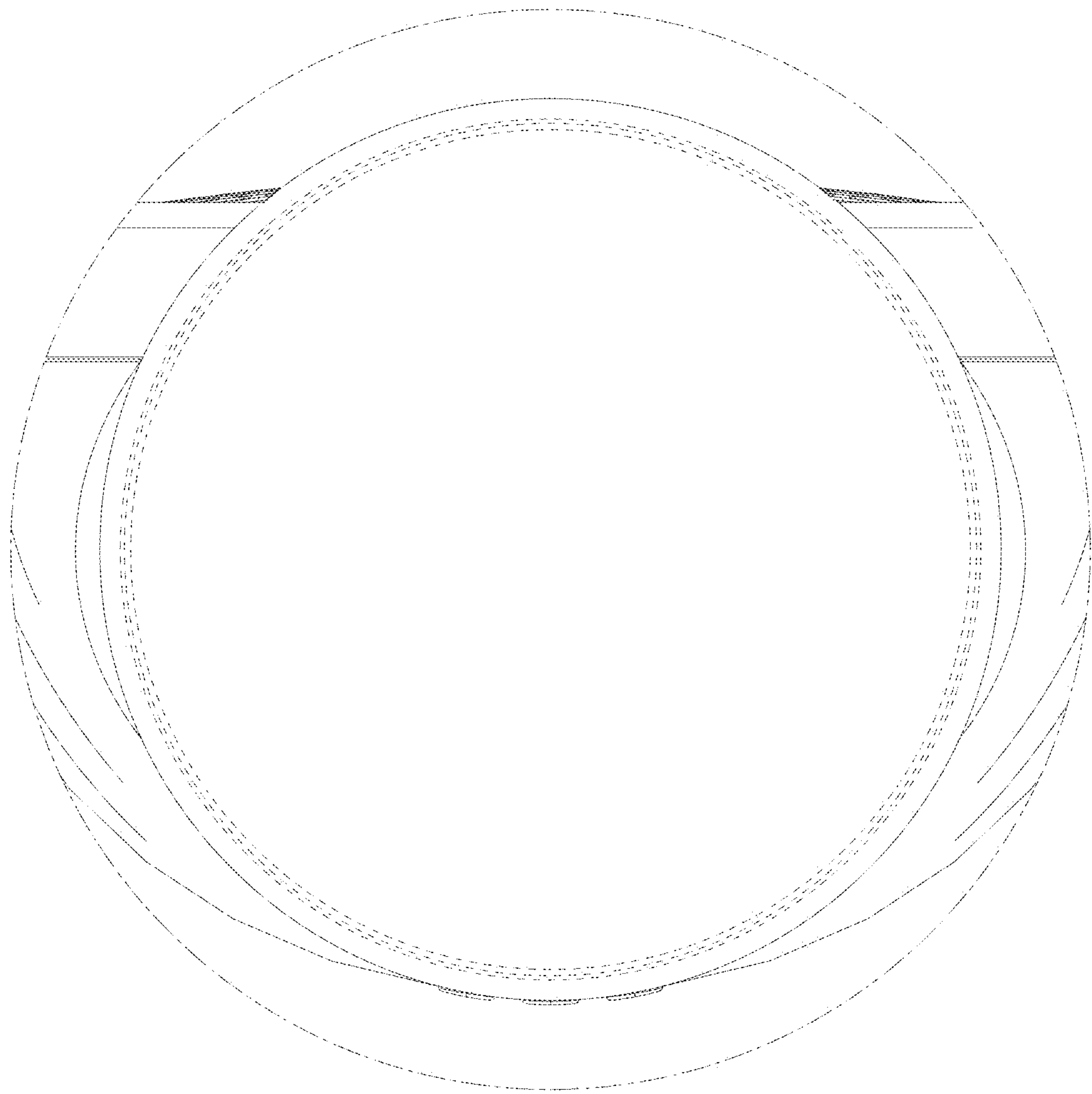


Fig.10