



US00D870253S

(12) **United States Design Patent** (10) **Patent No.:** **US D870,253 S**
Jang et al. (45) **Date of Patent:** **** Dec. 17, 2019**

(54) **WATER HEATER**

(56) **References Cited**

(71) Applicant: **LG ELECTRONICS INC.**, Seoul (KR)

U.S. PATENT DOCUMENTS

(72) Inventors: **Yunseo Jang**, Seoul (KR); **Seungho Baek**, Seoul (KR); **Yoojeung Han**, Seoul (KR); **Chinsoo Hyon**, Seoul (KR)

D301,733 S *	6/1989	Mansfield	D23/318
D326,712 S *	6/1992	Fabrizio	D23/318
D605,263 S *	12/2009	Nelson	D23/318
D638,528 S *	5/2011	Zhou	D23/318
D646,104 S *	10/2011	Zhou	D23/318
D799,650 S *	10/2017	Humphrey	D23/318
D825,724 S *	8/2018	Humphrey	D23/318
D859,617 S *	9/2019	Humphrey	D23/318
D860,418 S *	9/2019	Zheng	D23/318

(73) Assignee: **LG Electronics Inc.**, Seoul (KR)

(**) Term: **15 Years**

* cited by examiner

(21) Appl. No.: **35/506,625**

Primary Examiner — Khawaja Anwar

(22) Filed: **Aug. 22, 2018**

(74) *Attorney, Agent, or Firm* — Birch, Stewart, Kolasch & Birch, LLP

(80) **Hague Agreement Data**

Int. Filing Date: **Aug. 22, 2018**
Int. Reg. No.: **DM/102802**
Int. Reg. Date: **Aug. 22, 2018**
Int. Reg. Pub. Date: **Feb. 22, 2019**

(57) **CLAIM**

The ornamental design for water heater, as shown and described.

(30) **Foreign Application Priority Data**

DESCRIPTION

Apr. 3, 2018 (KR) 30-2018-0015642

(51) **LOC (12) Cl.** **23-01**

(52) **U.S. Cl.**
USPC **D23/318**

(58) **Field of Classification Search**
USPC D23/314, 316, 318, 319, 322, 323, 329,
D23/330, 332, 341

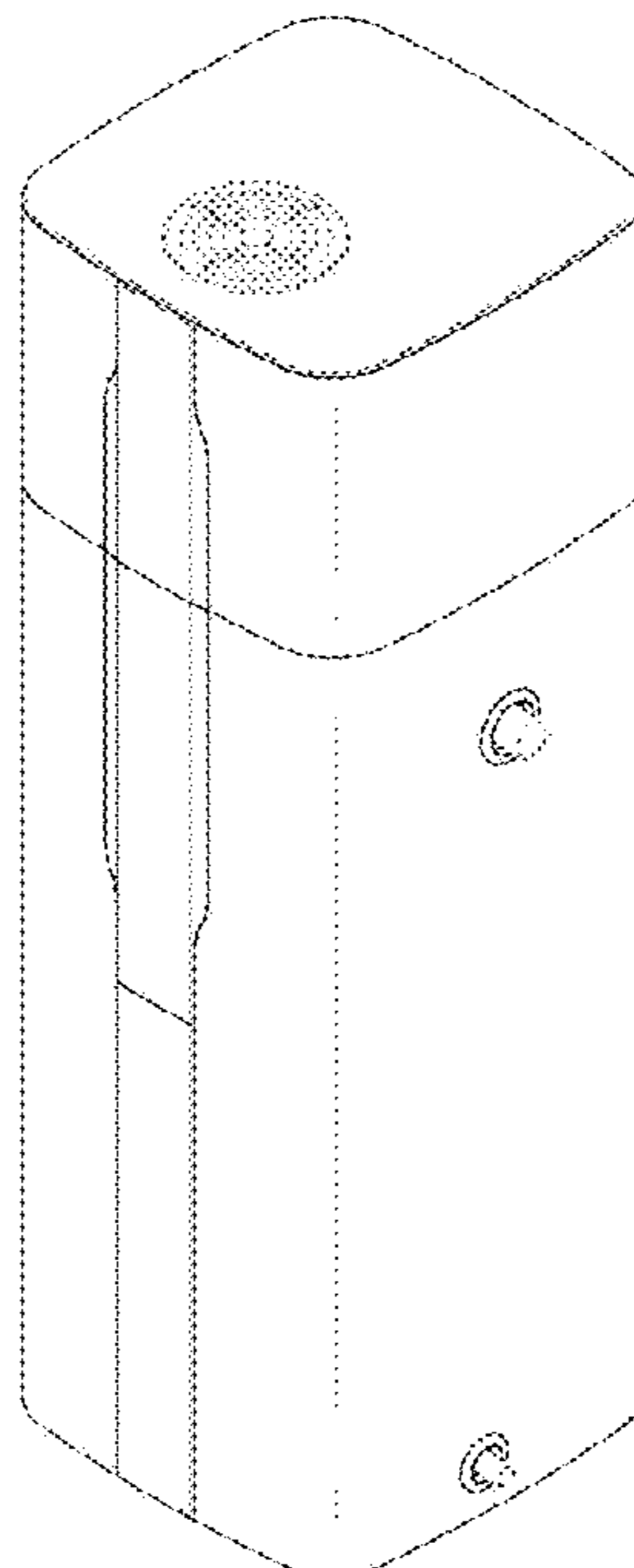
CPC F04B 17/03; F04B 2203/0201; F04B
2203/0203; F04B 2203/0207; F04B
2203/0209; F04B 47/04; F04B 49/06;
F04B 49/20

See application file for complete search history.

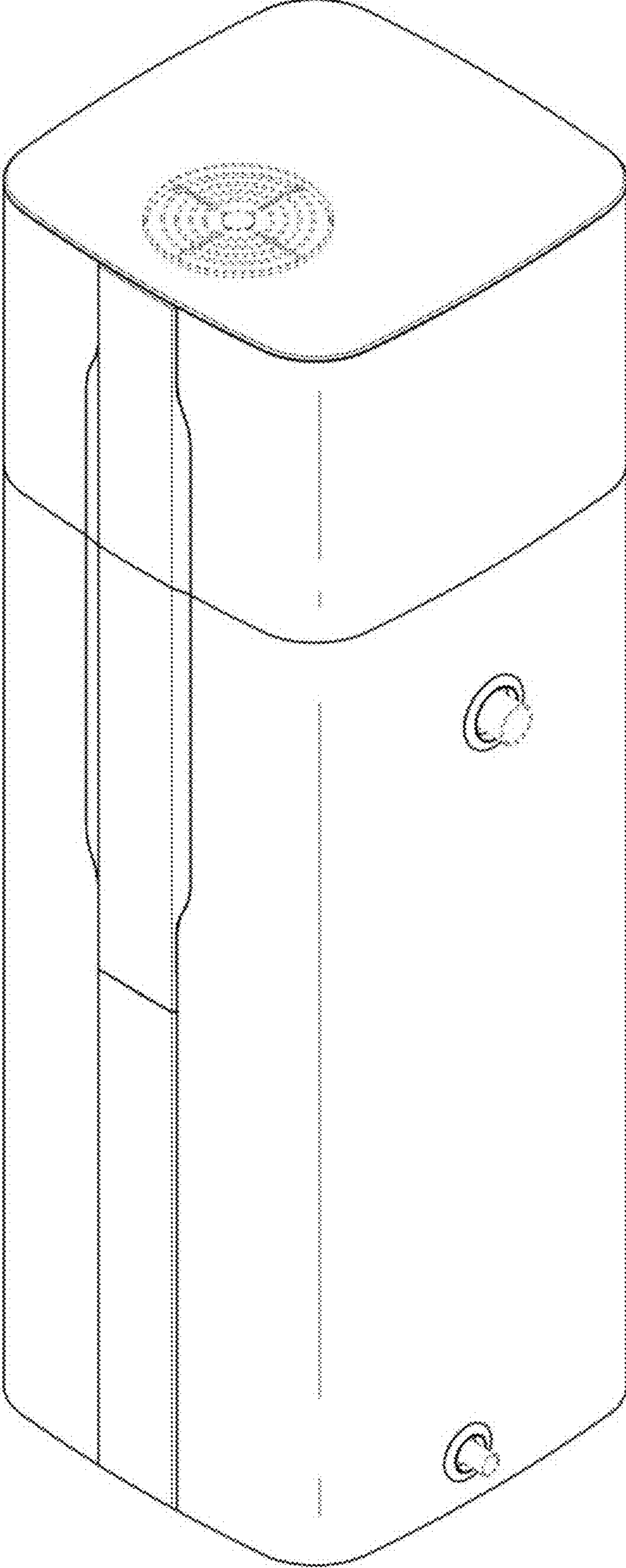
- 1. Water heater
- 1.1 : Perspective
- 1.2 : Front
- 1.3 : Back
- 1.4 : Left
- 1.5 : Right
- 1.6 : Top
- 1.7 : Bottom

The broken lines indicate unclaimed portions of the article that form no part of the claimed design.

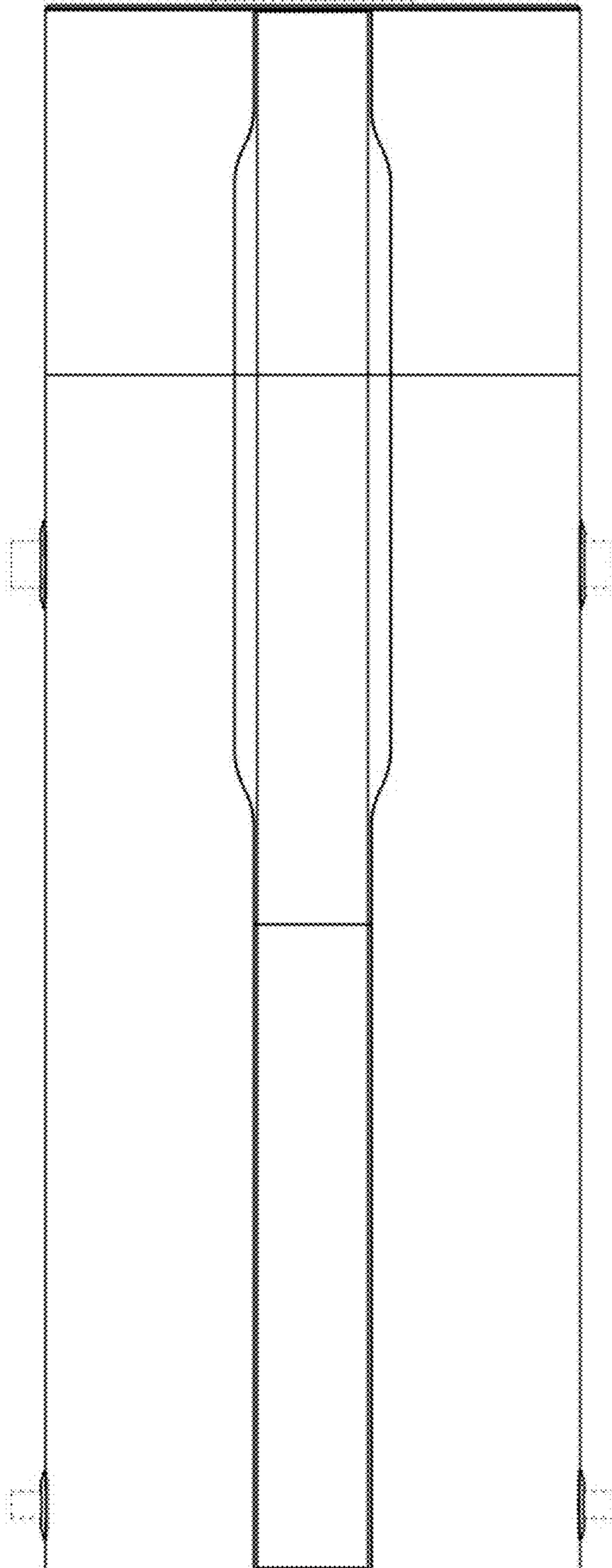
1 Claim, 7 Drawing Sheets



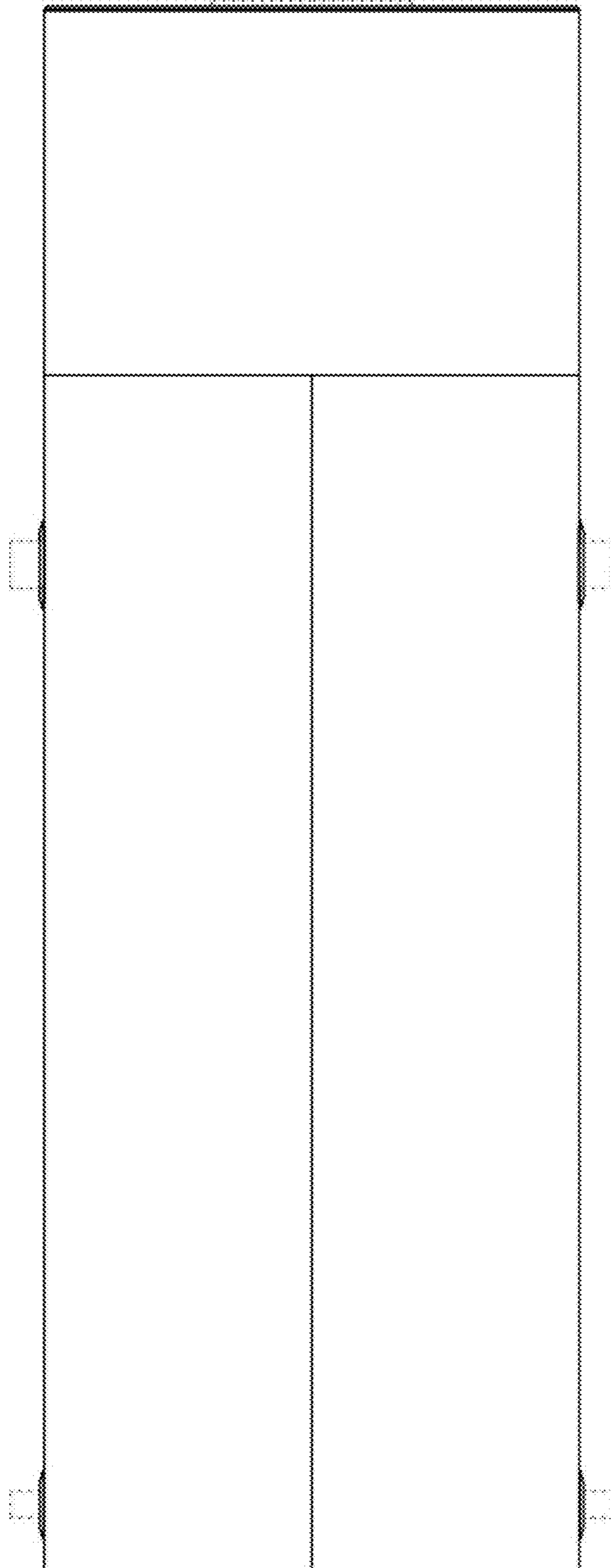
1.1



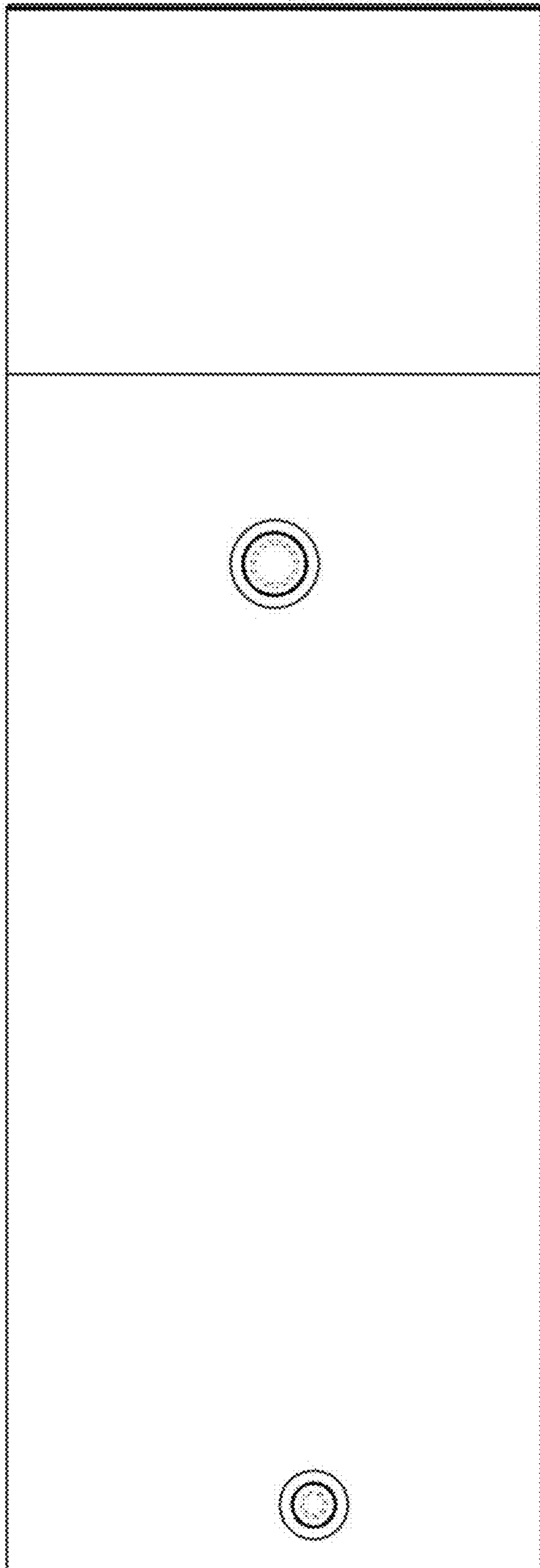
1.2



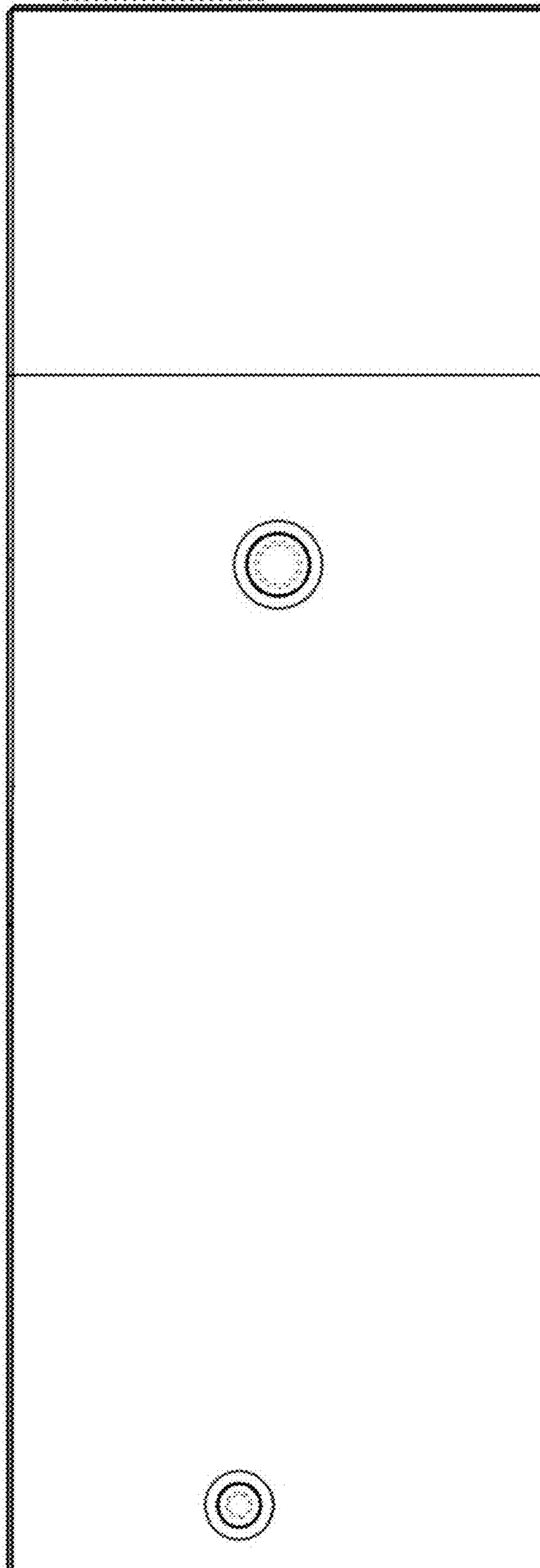
1.3



1.4



1.5



1.6



1.7

