



US00D870251S

(12) **United States Design Patent** (10) **Patent No.:** **US D870,251 S**
Vostal (45) **Date of Patent:** **** Dec. 17, 2019**

(54) **FORCED AIR WARMING UNIT**
(71) Applicant: **3M INNOVATIVE PROPERTIES COMPANY**, St. Paul, MN (US)
(72) Inventor: **Michael J. Vostal**, Minneapolis, MN (US)
(73) Assignee: **3M INNOVATIVE PROPERTIES COMPANY**, Saint Paul, MN (US)
(**) Term: **15 Years**
(21) Appl. No.: **29/639,561**
(22) Filed: **Mar. 7, 2018**
(51) **LOC (12) Cl.** **23-03**
(52) **U.S. Cl.**
USPC **D23/317; D23/314**
(58) **Field of Classification Search**
USPC D23/314, 317, 318, 319, 320, 321, 322, D23/323, 329, 330, 331, 332, 334, 335, D23/333, 336, 337, 338, 339, 340, 341, D23/342, 370, 378, 411, 412, 356, 358, D23/359, 363, 328; D24/127, 128, 129, D24/163, 200, 206, 207, 209, 210, 211; D13/184
CPC F24H 3/00; F24H 3/0411; F24H 3/0417; F24H 9/0063; F24H 9/0073; F24H 9/02; F24H 3/082; F24H 9/2071; F24H 3/002; F24H 3/02; F24H 3/04; F04D 17/04; F04D 25/08; F04D 25/10; F04D 5/00; H05B 3/008; A61F 2007/0098; A61F 7/0097; A61F 7/0085; A61F 7/00
See application file for complete search history.

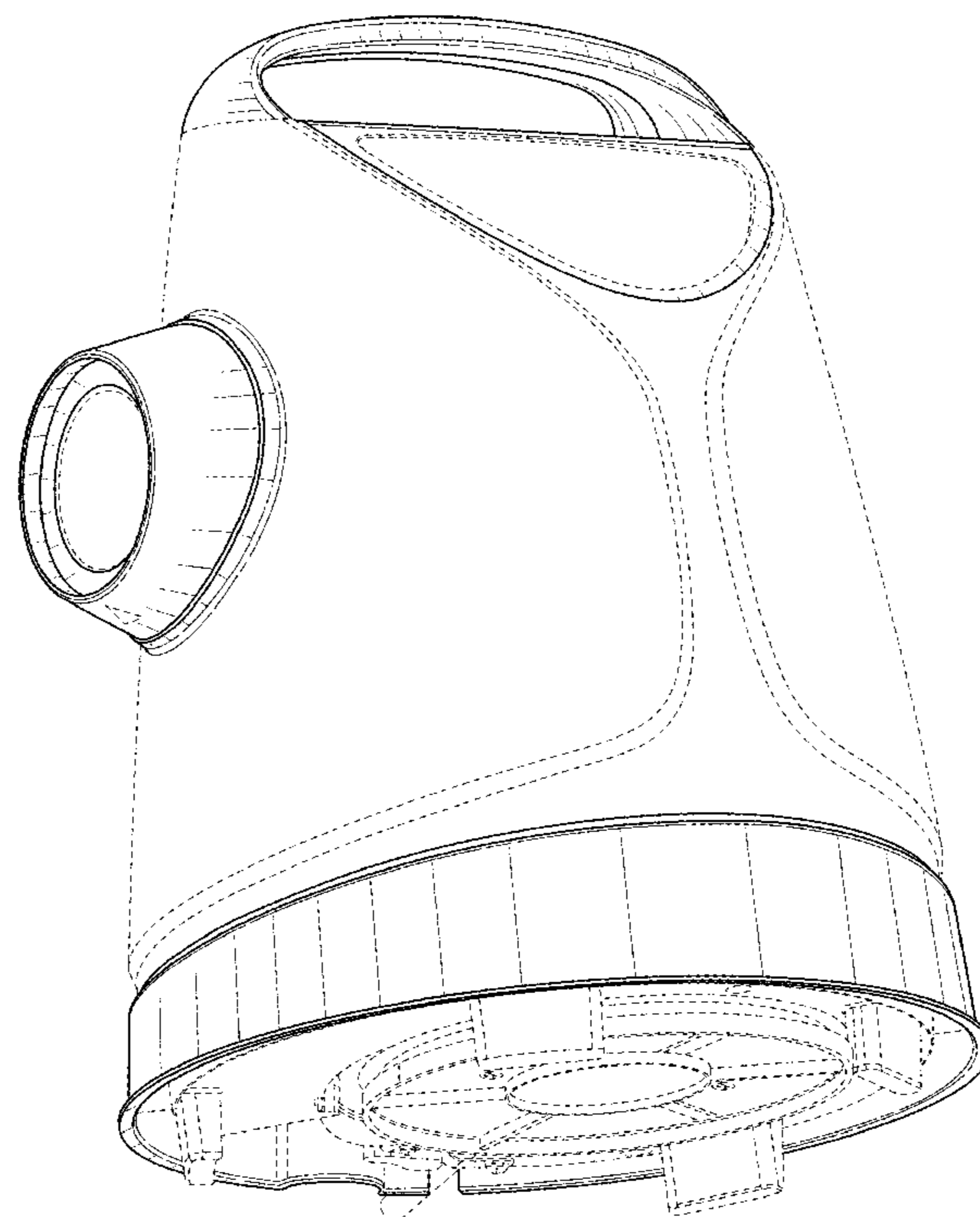
(56) **References Cited**
U.S. PATENT DOCUMENTS
D445,117 S * 7/2001 Heber D15/79
D652,185 S * 1/2012 Mu D32/21
D676,205 S * 2/2013 Theising D32/21
D771,786 S * 11/2016 Canipe D23/328
2014/0165639 A1* 6/2014 Canipe F24F 5/0035
62/259.4

* cited by examiner
Primary Examiner — T Chase Nelson
Assistant Examiner — Ania Aman
(74) *Attorney, Agent, or Firm* — 3M Innovative Properties Company; Jonathan V. Sry

(57) **CLAIM**
The ornamental design for a forced air warming unit, as shown and described.

DESCRIPTION
FIG. 1 is a perspective view showing the new design of a forced air warming unit;
FIG. 2 is a front view thereof;
FIG. 3 is a back view thereof;
FIG. 4 is a left side view thereof;
FIG. 5 is a right side view thereof;
FIG. 6 is a top view thereof; and,
FIG. 7 is a bottom view thereof.
The portions of the forced air warming unit in FIGS. 1-7 shown in broken lines are included to show features that form no part of the claimed design.

1 Claim, 7 Drawing Sheets



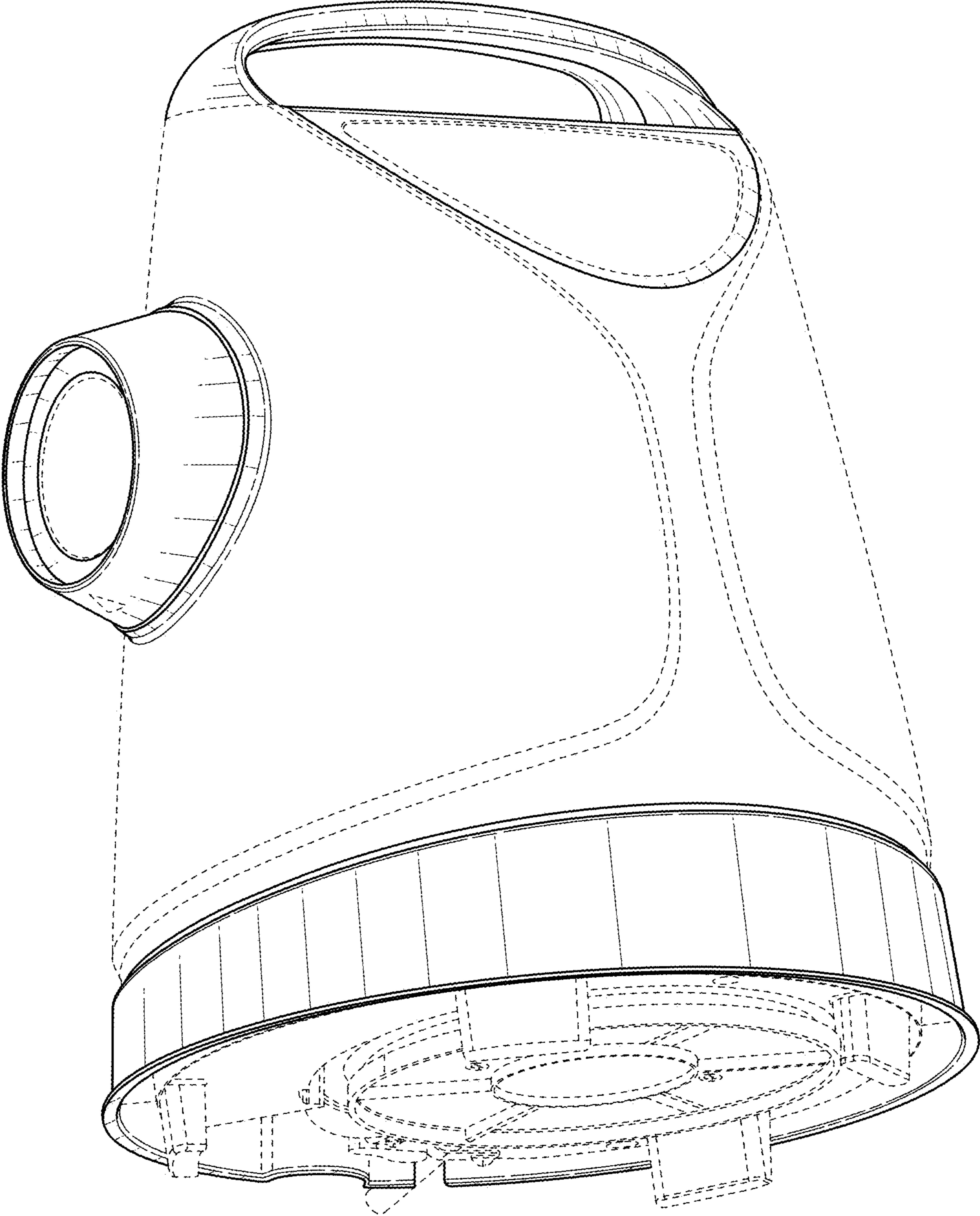


FIG. 1

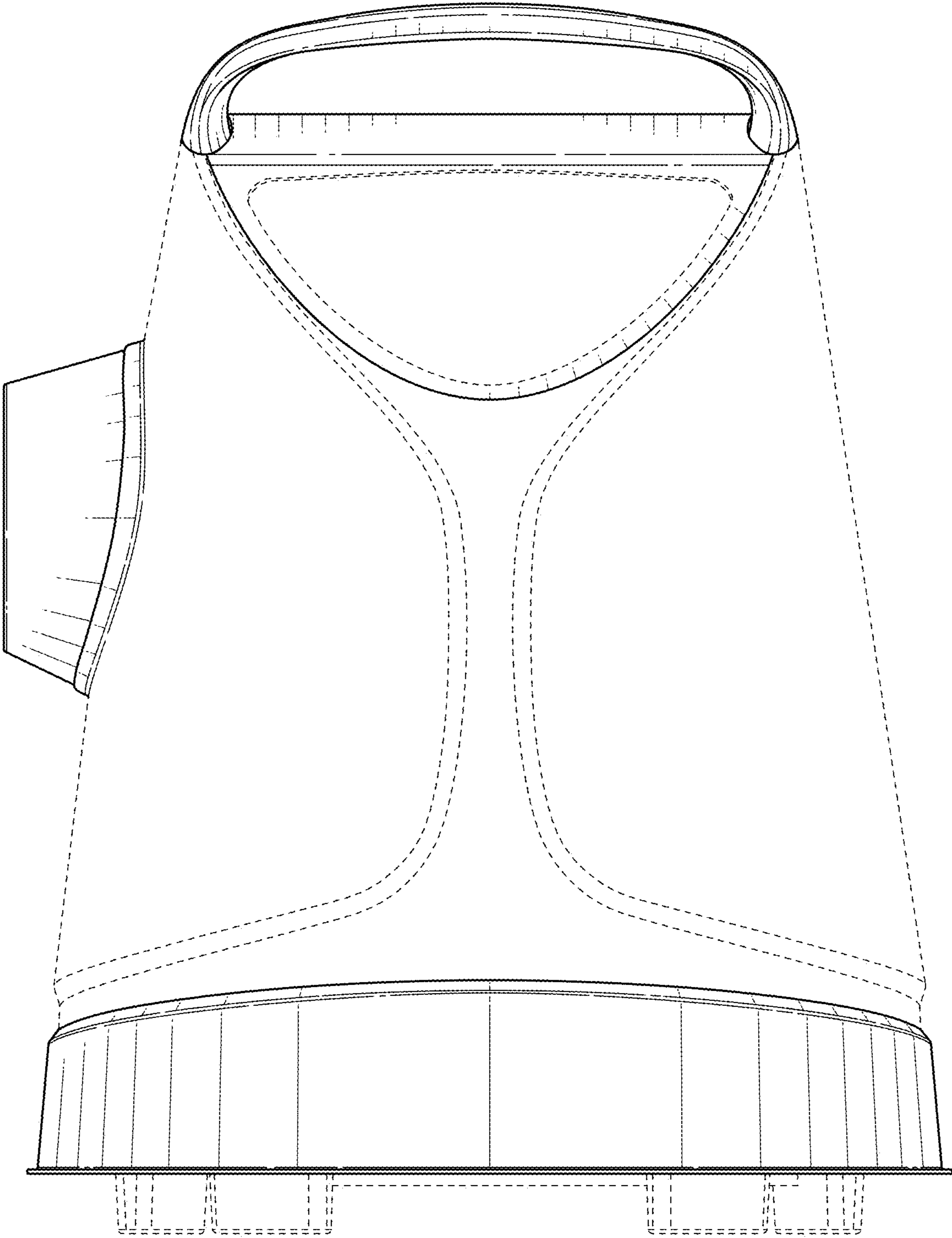


FIG. 2

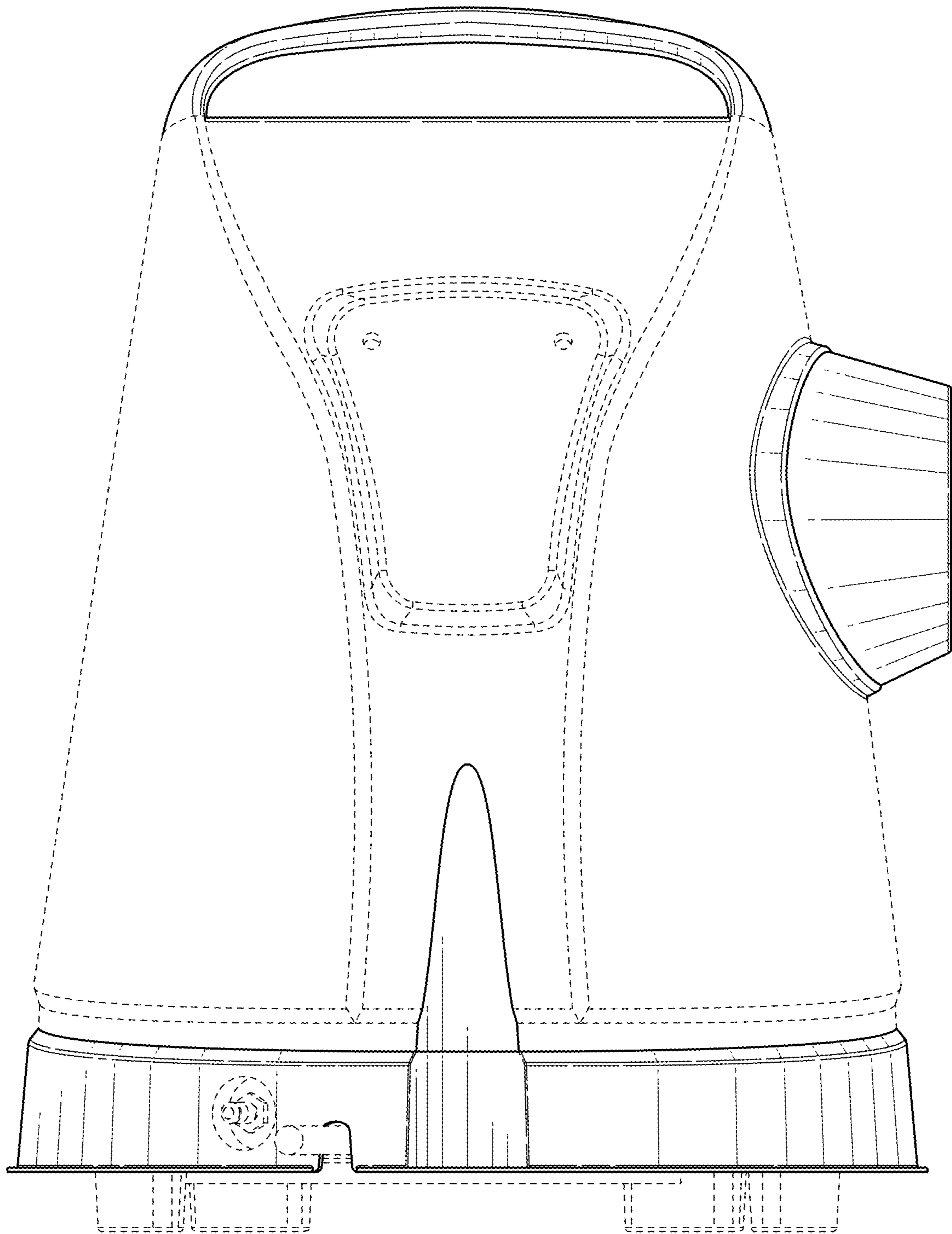


FIG. 3

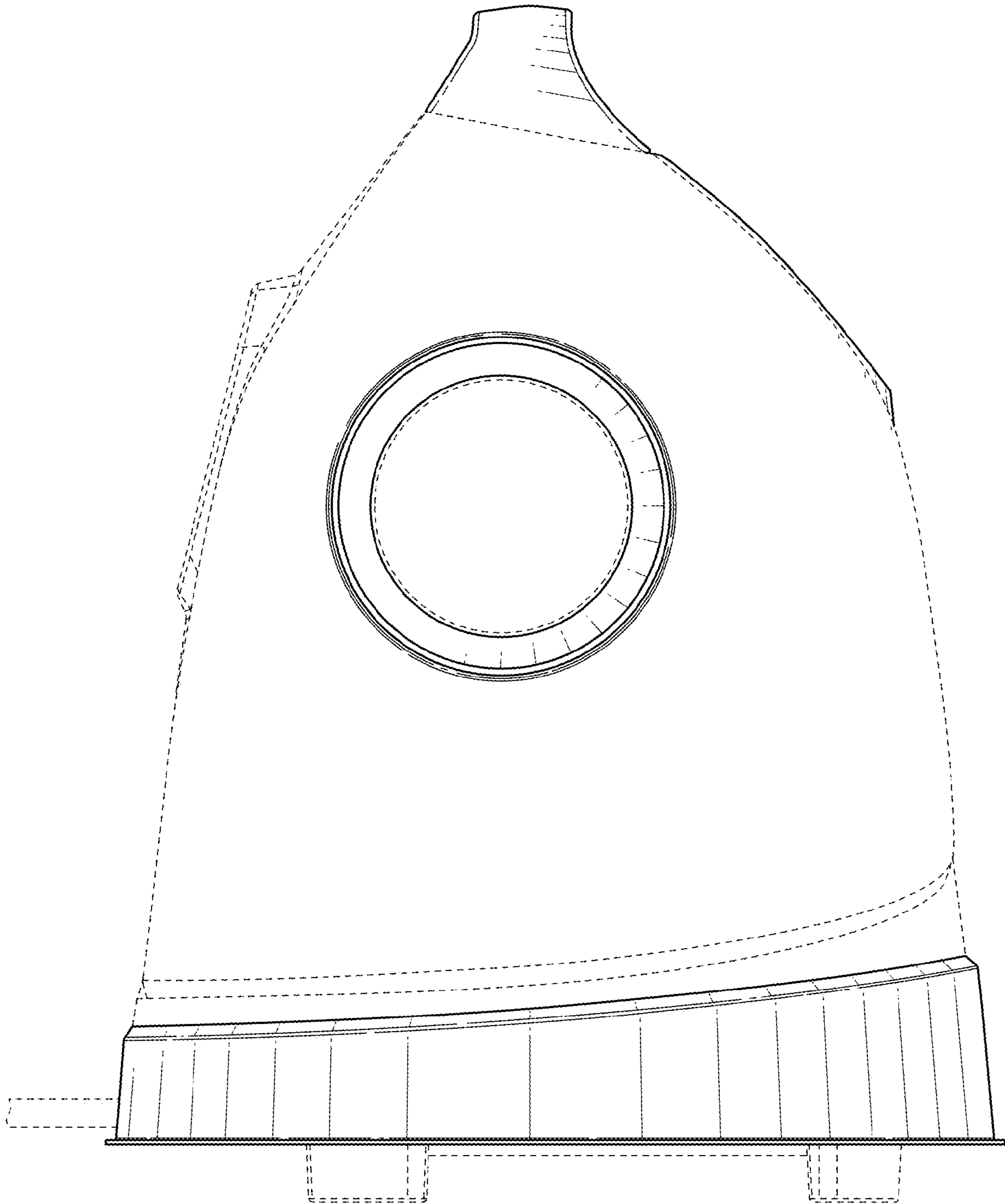


FIG. 4

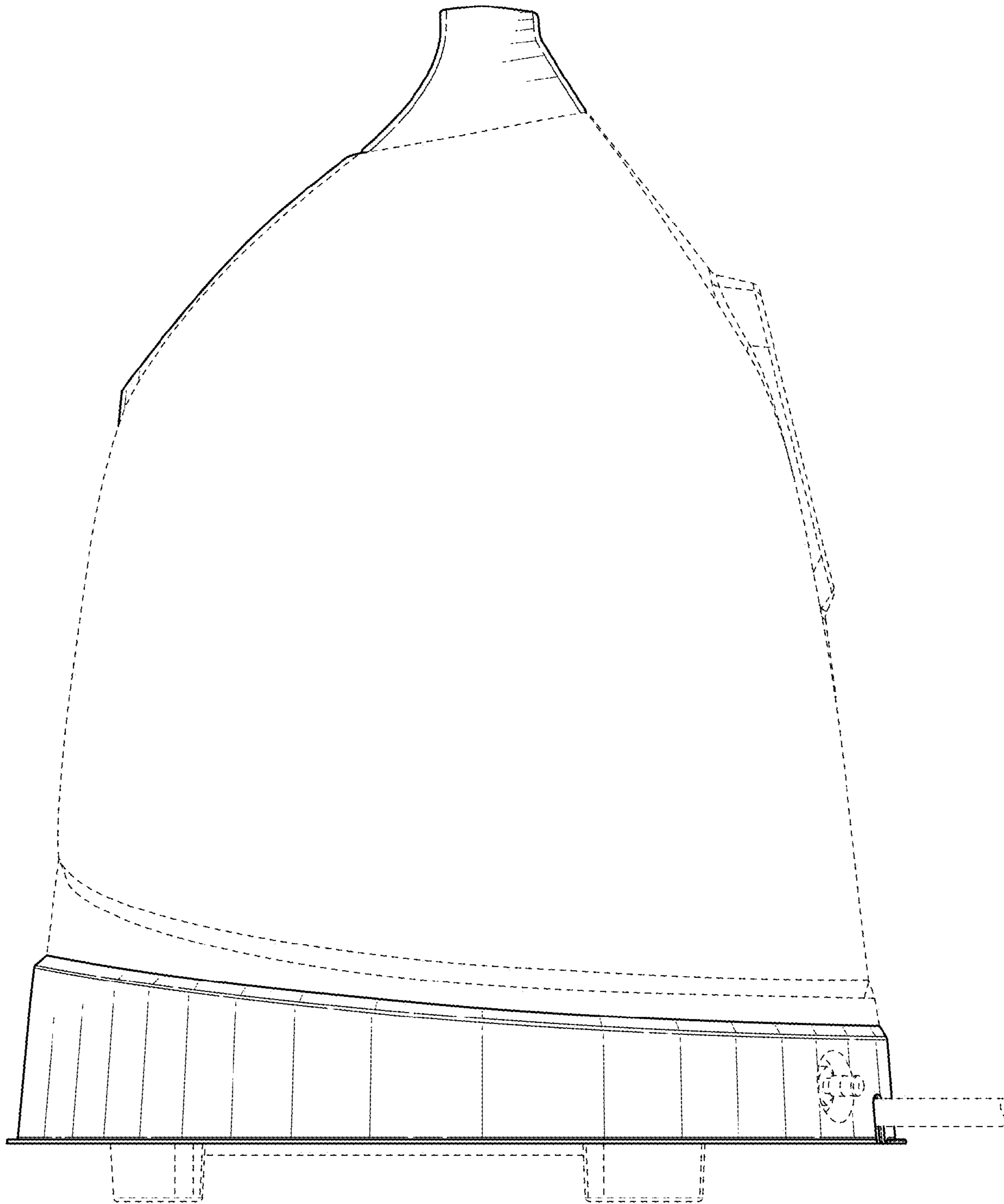


FIG. 5

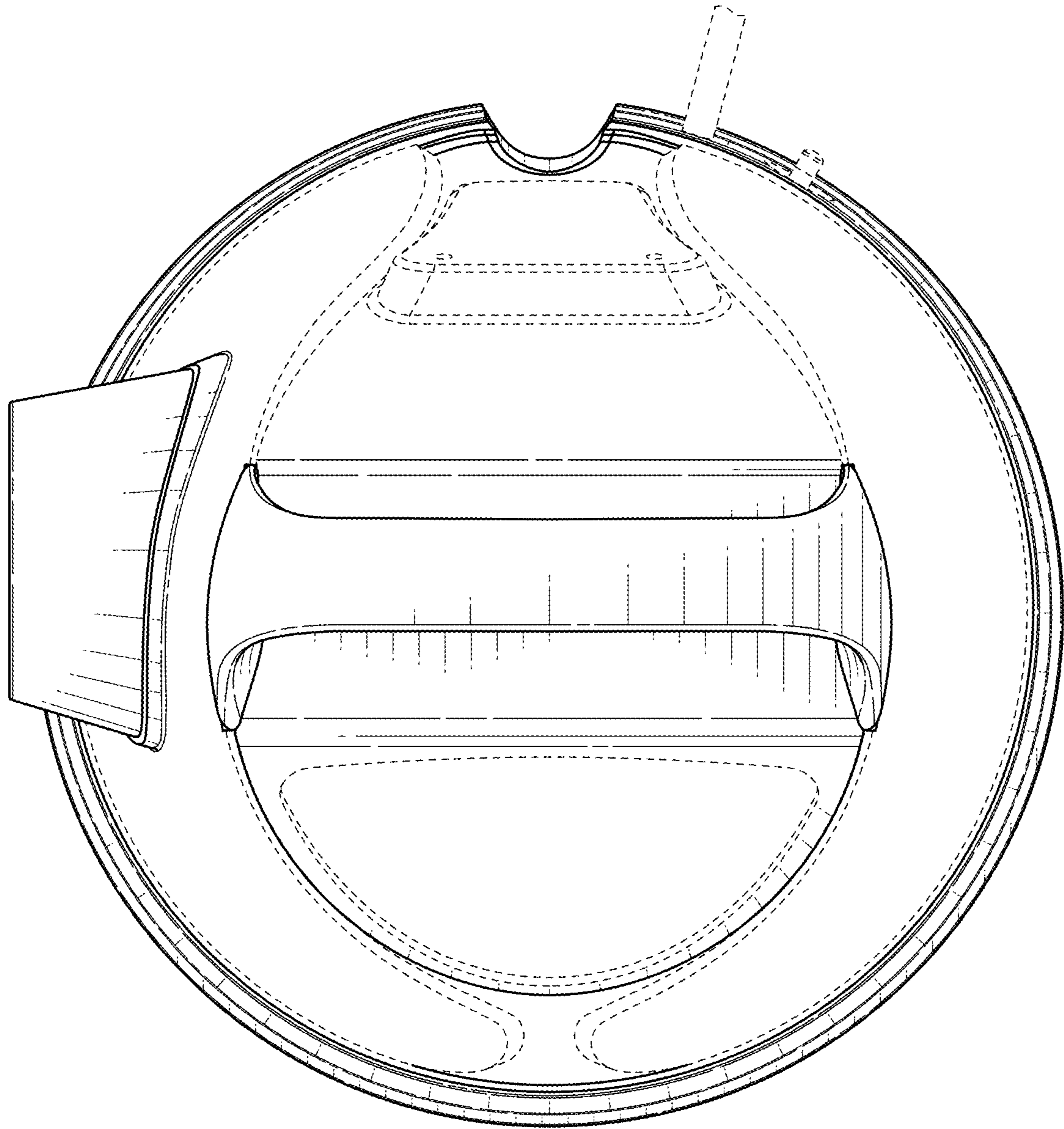


FIG. 6

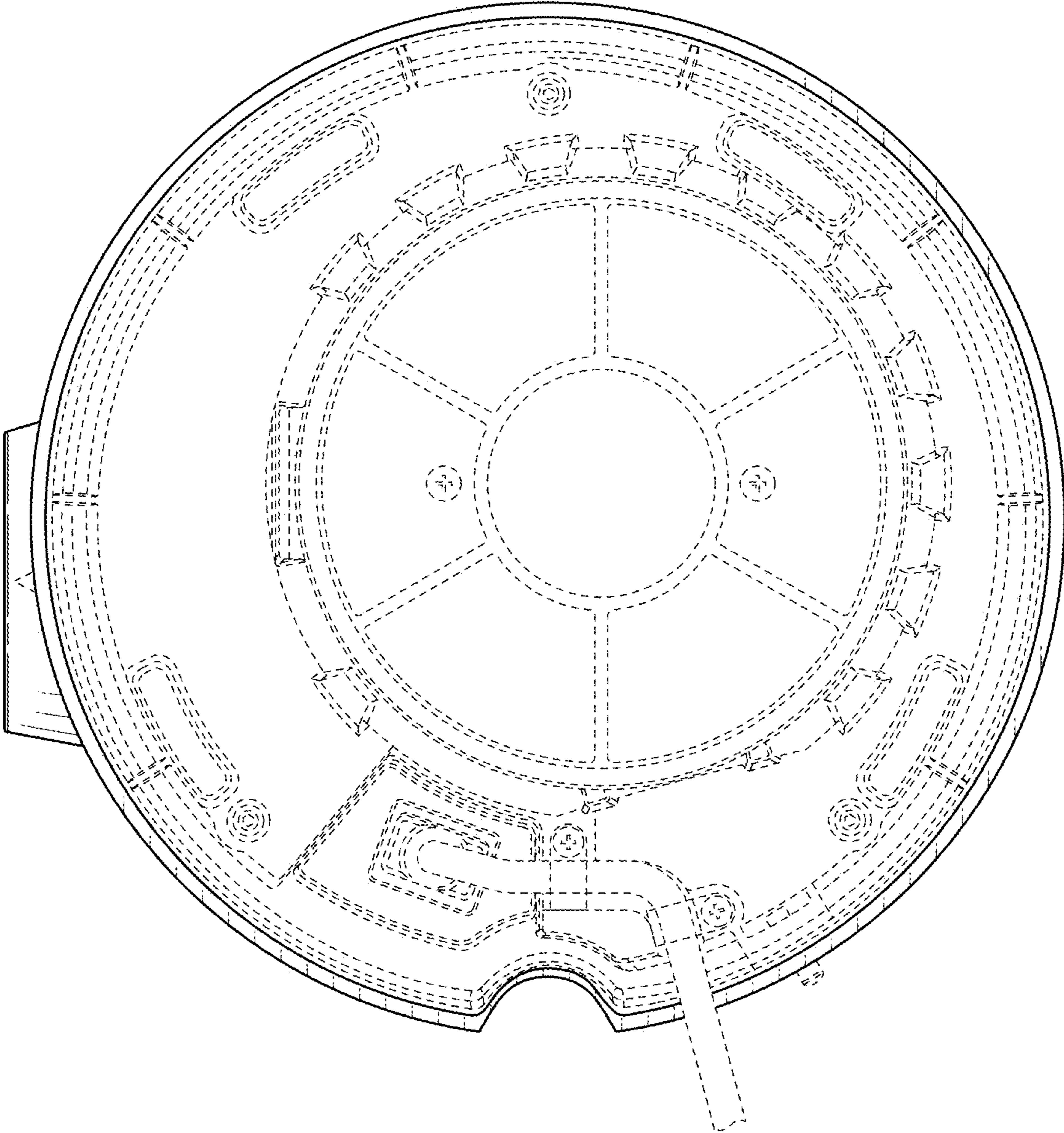


FIG. 7