



US00D870250S

(12) **United States Design Patent** (10) **Patent No.:** **US D870,250 S**  
**Rheume et al.** (45) **Date of Patent:** **\*\* Dec. 17, 2019**

(54) **AIRCRAFT LAVATORY CABINET AND MONUMENTS**

(71) Applicant: **BOMBARDIER INC.**, Dorval (CA)

(72) Inventors: **Michel Rheume**, St-Hippolyte (CA);  
**Elia Massimo Ruggi**, Laval (CA)

(73) Assignee: **BOMBARDIER INC.**, Dorval (CA)

(\*\*) Term: **15 Years**

(21) Appl. No.: **29/669,661**

(22) Filed: **Nov. 9, 2018**

8,882,035	B2	11/2014	France	
D730,804	S *	6/2015	Cuddy	D12/345
9,321,533	B2	4/2016	Cuddy	
D766,790	S *	9/2016	Sethapun	D12/195
9,840,329	B2 *	12/2017	Godecker	B64D 11/04
2005/0116098	A1 *	6/2005	Martens	B64C 1/1469 244/118.5
2007/0102579	A1	5/2007	Krieglsteiner	
2011/0210203	A1	9/2011	Chua	
2012/0248245	A1 *	10/2012	Schliwa	B61D 35/00 244/118.5
2012/0261509	A1	10/2012	Grant	
2013/0206906	A1	8/2013	Burrows	
2013/0247590	A1 *	9/2013	Lu	F25B 21/02 62/3.6

(Continued)

**Related U.S. Application Data**

(62) Division of application No. 29/565,146, filed on May 18, 2016, now Pat. No. Des. 837,348.

(51) **LOC (12) Cl.** ..... **23-02**

(52) **U.S. Cl.**  
USPC ..... **D23/270**; D12/345

(58) **Field of Classification Search**  
USPC ..... D23/270-274; D12/345, 395; D6/332  
CPC ..... B64D 11/02; B64D 11/04; B64D 11/0606;  
B64D 35/002; B64D 35/005; B64D 35/00  
See application file for complete search history.

(56) **References Cited**

**U.S. PATENT DOCUMENTS**

5,150,863	A *	9/1992	Hozumi	B64D 11/02 244/118.5
D455,391	S *	4/2002	Granzeier	D12/345
D486,565	S *	2/2004	Itakura	D23/274
D487,137	S	2/2004	Itakura	
D529,432	S *	10/2006	Boren	D12/345
7,934,679	B2	5/2011	Bock	
7,984,875	B2 *	7/2011	Koehn	B64C 1/1469 244/118.5
8,573,537	B2	11/2013	Bock	

**OTHER PUBLICATIONS**

Aircraft Cabin Management, [www.aircraftcabinmanagement.com](http://www.aircraftcabinmanagement.com), accessed on Apr. 26, 2016.

*Primary Examiner* — Robert A Delehanty

(74) *Attorney, Agent, or Firm* — Norton Rose Fulbright Canada LLP

(57) **CLAIM**

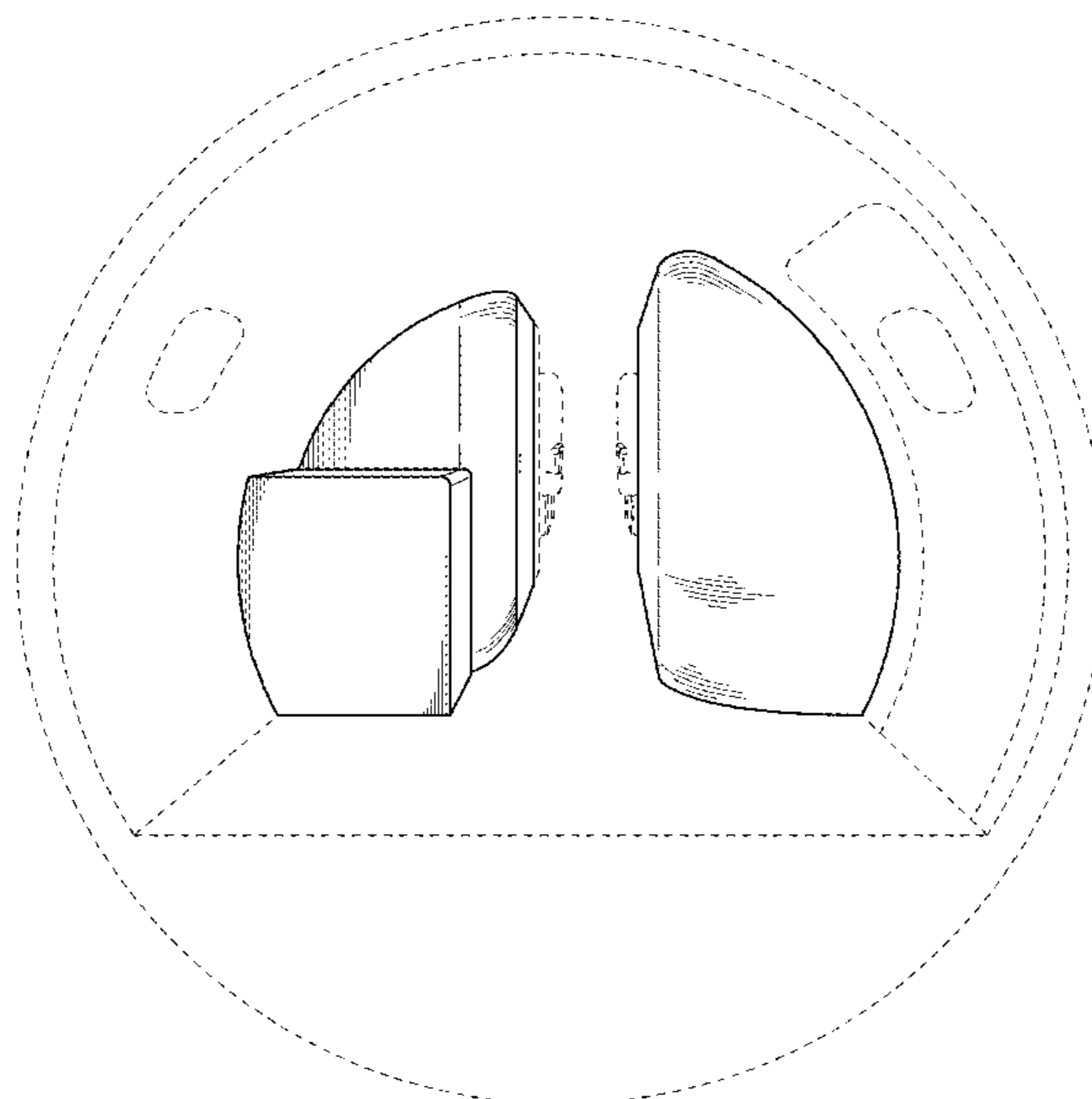
We claim the ornamental design for an aircraft lavatory cabinet and monuments, as shown and described.

**DESCRIPTION**

FIG. 1 is a perspective view of a aircraft lavatory cabinet and monuments showing our new design; FIG. 2 is a front view thereof; and, FIG. 3 is a top view thereof.

The broken lines immediately adjacent the shaded areas represent the bounds of the claimed design while all other broken lines are directed to environment and are for illustrative purposes only; the broken lines form no part of the claimed design.

**1 Claim, 3 Drawing Sheets**



(56)

**References Cited**

U.S. PATENT DOCUMENTS

2014/0353425	A1 *	12/2014	Boren, Jr. ....	B64D 11/02 244/118.5
2014/0355282	A1 *	12/2014	Cuddy .....	B64D 11/04 362/471
2014/0359934	A1	12/2014	Schliwa	
2015/0008285	A1	1/2015	Zuardy	
2016/0052632	A1	2/2016	Mbanefo	
2016/0059966	A1	3/2016	Dryburgh	

\* cited by examiner

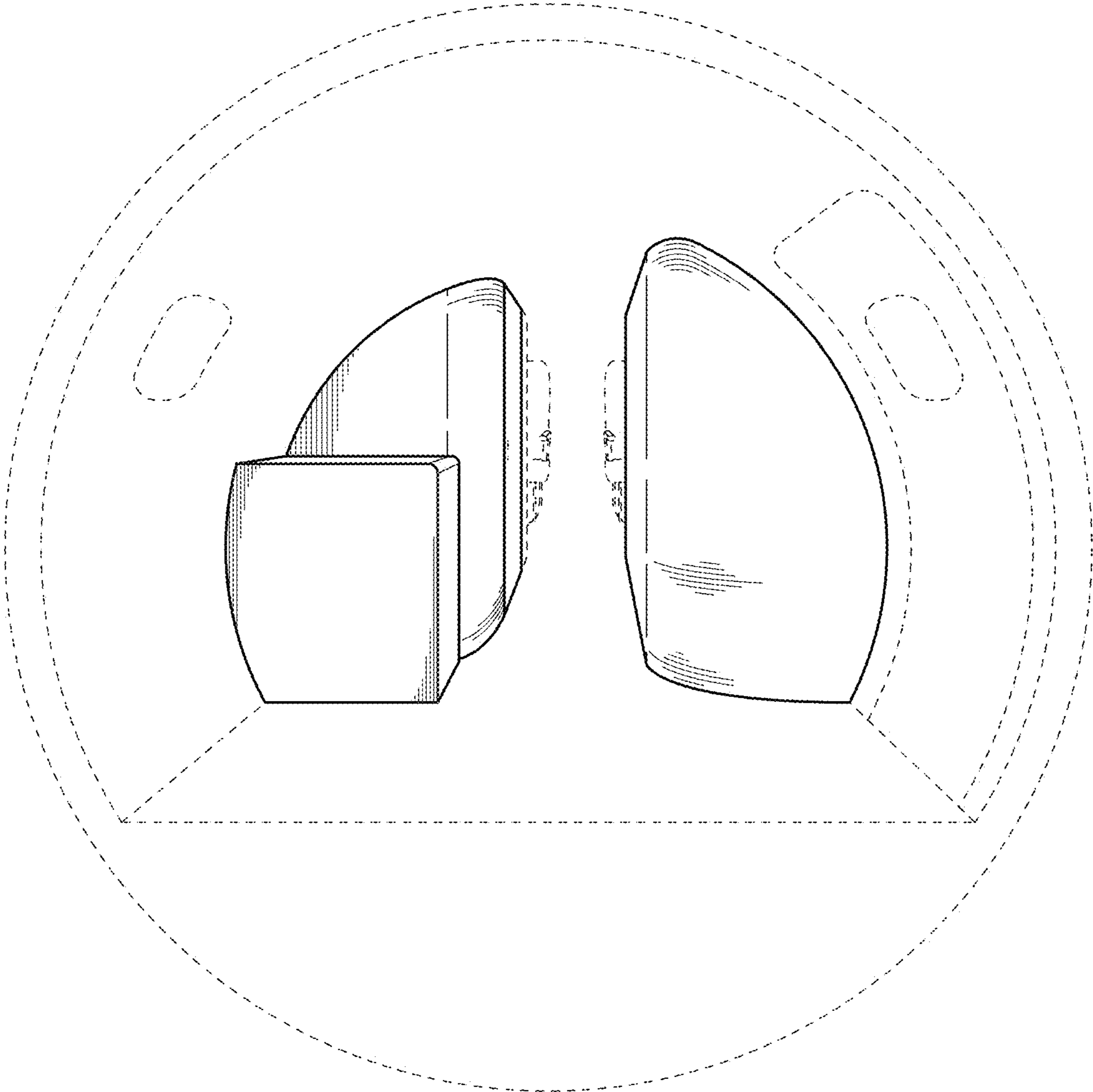
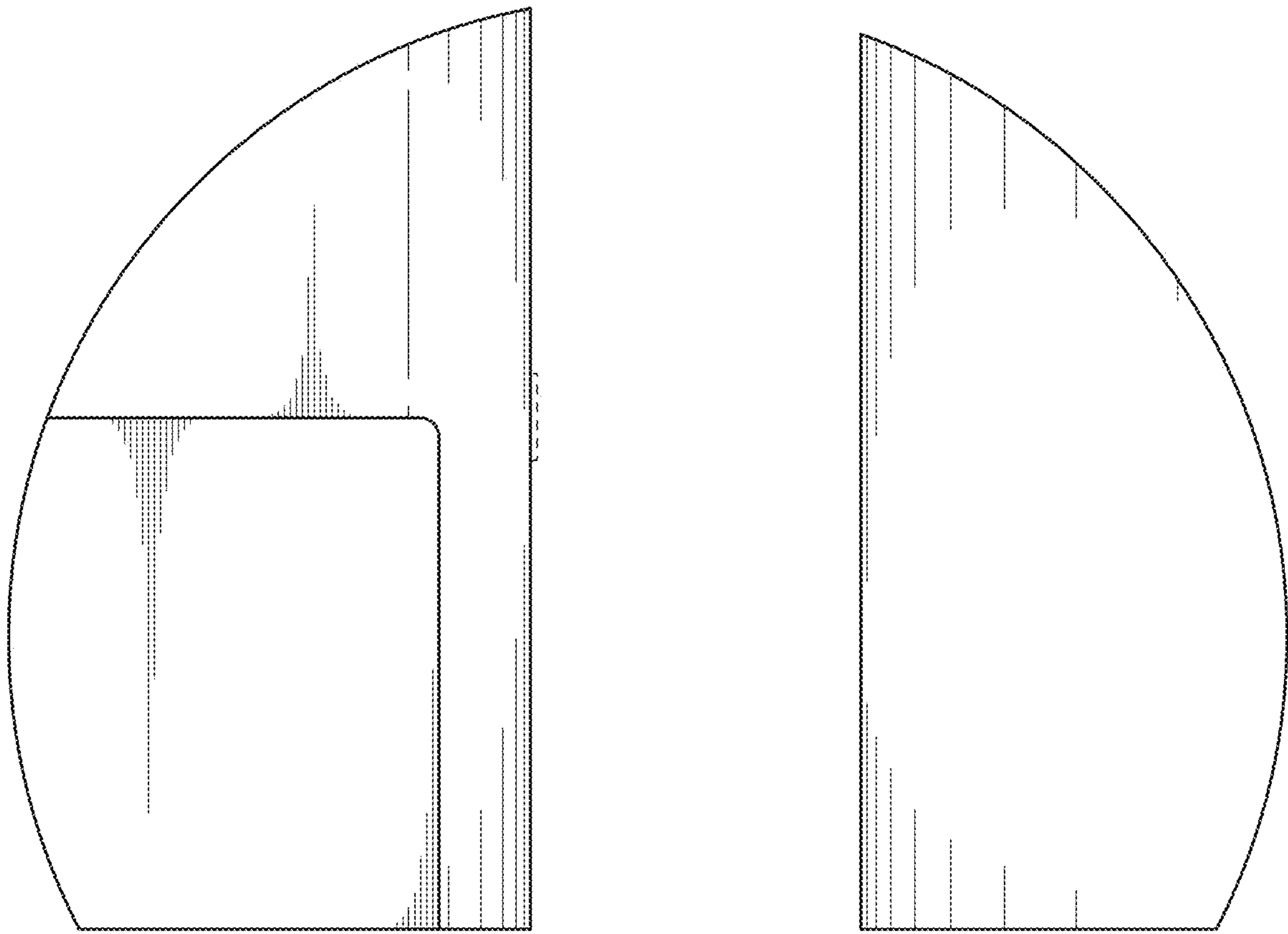
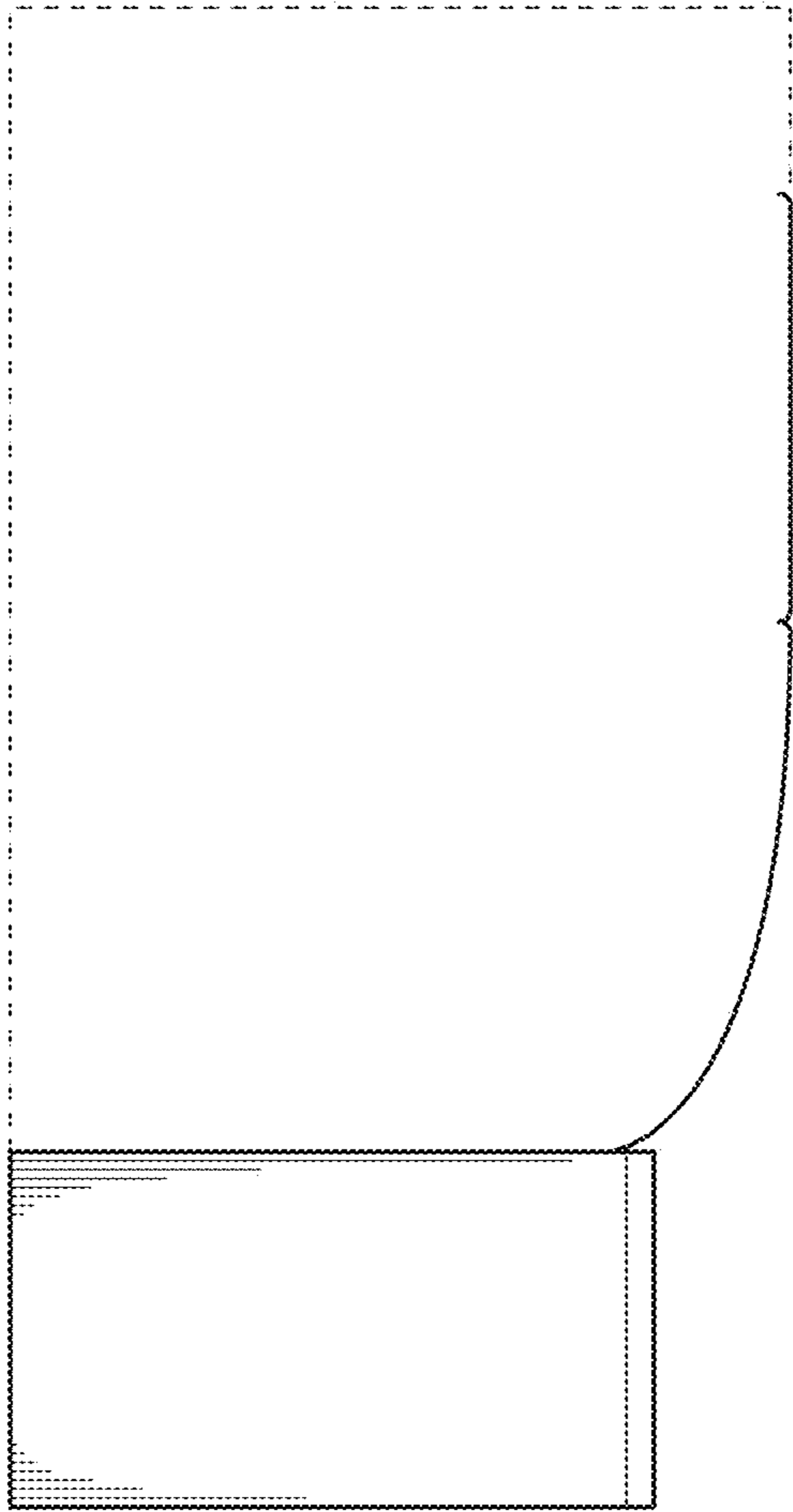


FIG. 1



**FIG. 2**



**FIG. 3**