



US00D870249S

(12) **United States Design Patent** (10) **Patent No.:** **US D870,249 S**  
**Johansen** (45) **Date of Patent:** **\*\* Dec. 17, 2019**

(54) **DRAIN CHANNEL**

(71) Applicant: **BLUCHER METAL A/S**, Vildbjerg (DK)

(72) Inventor: **Per Thanning Johansen**, Silkeborg (DK)

(73) Assignee: **BLUCHER METAL A/S**, Vildbjerg (DK)

(\*\*) Term: **15 Years**

(21) Appl. No.: **29/573,229**

(22) Filed: **Aug. 3, 2016**

(56) **References Cited**

U.S. PATENT DOCUMENTS

D261,312 S	10/1981	Schmidt	
D317,513 S	6/1991	Miller et al.	
D318,139 S	7/1991	Miller et al.	
D345,498 S	3/1994	Fraser et al.	
D347,071 S	5/1994	Tanikawa	
D417,607 S	12/1999	Vining	
6,341,458 B1	1/2002	Burt	
D489,463 S	5/2004	Barnett	
D525,371 S	7/2006	Levi-Senigaglia	
D557,429 S	12/2007	Bullock, Jr.	
D578,619 S *	10/2008	Rattenbury .....	D23/261
D614,267 S *	4/2010	Breda .....	D23/261
D621,915 S *	8/2010	Fima .....	D23/261
D638,142 S	5/2011	Van Camp et al.	
D652,569 S	1/2012	Trzesniowski	
D665,055 S *	8/2012	Yanagisawa .....	D23/261

(Continued)

**Related U.S. Application Data**

(62) Division of application No. 29/510,370, filed on Nov. 26, 2014, now Pat. No. Des. 777,886.

**Foreign Application Priority Data**

May 27, 2014 (EM) ..... 002471276-0001  
 May 27, 2014 (EM) ..... 002471276-0002  
 May 27, 2014 (EM) ..... 002471276-0003

(51) **LOC (12) Cl.** ..... **23-01**

(52) **U.S. Cl.**  
USPC ..... **D23/261**

(58) **Field of Classification Search**

USPC ..... D23/259-263, 266-269, 233; 251/215,  
 251/216; 285/369, 372, 373, 417, 133.11,  
 285/133.3, 133.21, 133.4, 133.5, 133.6;  
 137/347, 347.41, 347.51; D25/119  
 CPC ..... F16L 11/00; F16L 37/252; F16L 41/007;  
 E03C 1/26; E03C 1/262; E03C 1/28;  
 E03F 5/04; A61B 5/00; A61M 25/09016

See application file for complete search history.

**OTHER PUBLICATIONS**

U.S. Appl. No. 29/510,370, filed Nov. 26, 2014, Johansen.

(Continued)

*Primary Examiner* — Sandra S Snapp

(74) *Attorney, Agent, or Firm* — Berg Hill Greenleaf Ruscitt, LLP.

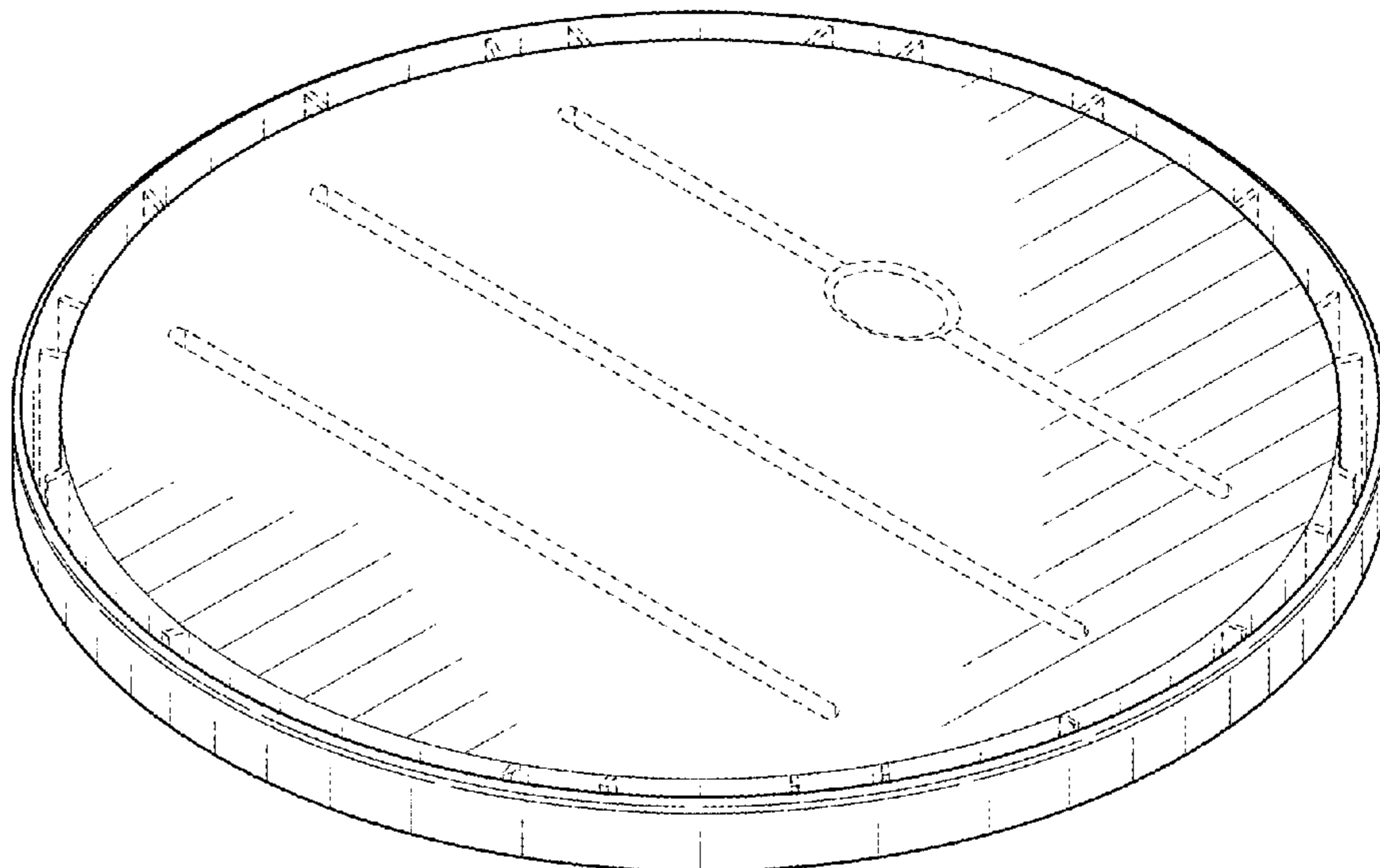
(57) **CLAIM**

The ornamental design for a drain channel, as shown and described.

**DESCRIPTION**

FIG. 1 is a perspective view of the invention;  
 FIG. 2 is a top plan view of FIG. 1;  
 FIG. 3 is a bottom plan view of FIG. 1; and,  
 FIG. 4 is a front side view of FIG. 1, a rear side view being a mirror image thereof.  
 The broken lines, shown in the drawings, depict portions of the drain channel and form no part of the claimed design.

**1 Claim, 3 Drawing Sheets**



(56)

**References Cited**

U.S. PATENT DOCUMENTS

D720,838 S \* 1/2015 Yamagishi ..... D23/261  
D728,078 S \* 4/2015 Scott ..... D23/261  
D732,644 S \* 6/2015 Yamagishi ..... D23/261  
D745,192 S 12/2015 Suciu et al.

OTHER PUBLICATIONS

U.S. Appl. No. 29/573,232, filed Aug. 3, 2016, Johansen.  
Official Action for U.S. Appl. No. 29/510,370, dated Jun. 23, 2016,  
5 pages, Restriction Requirement.  
Notice of Allowance for U.S. Appl. No. 29/510,370, dated Sep. 19,  
2016, 10 pages.

\* cited by examiner

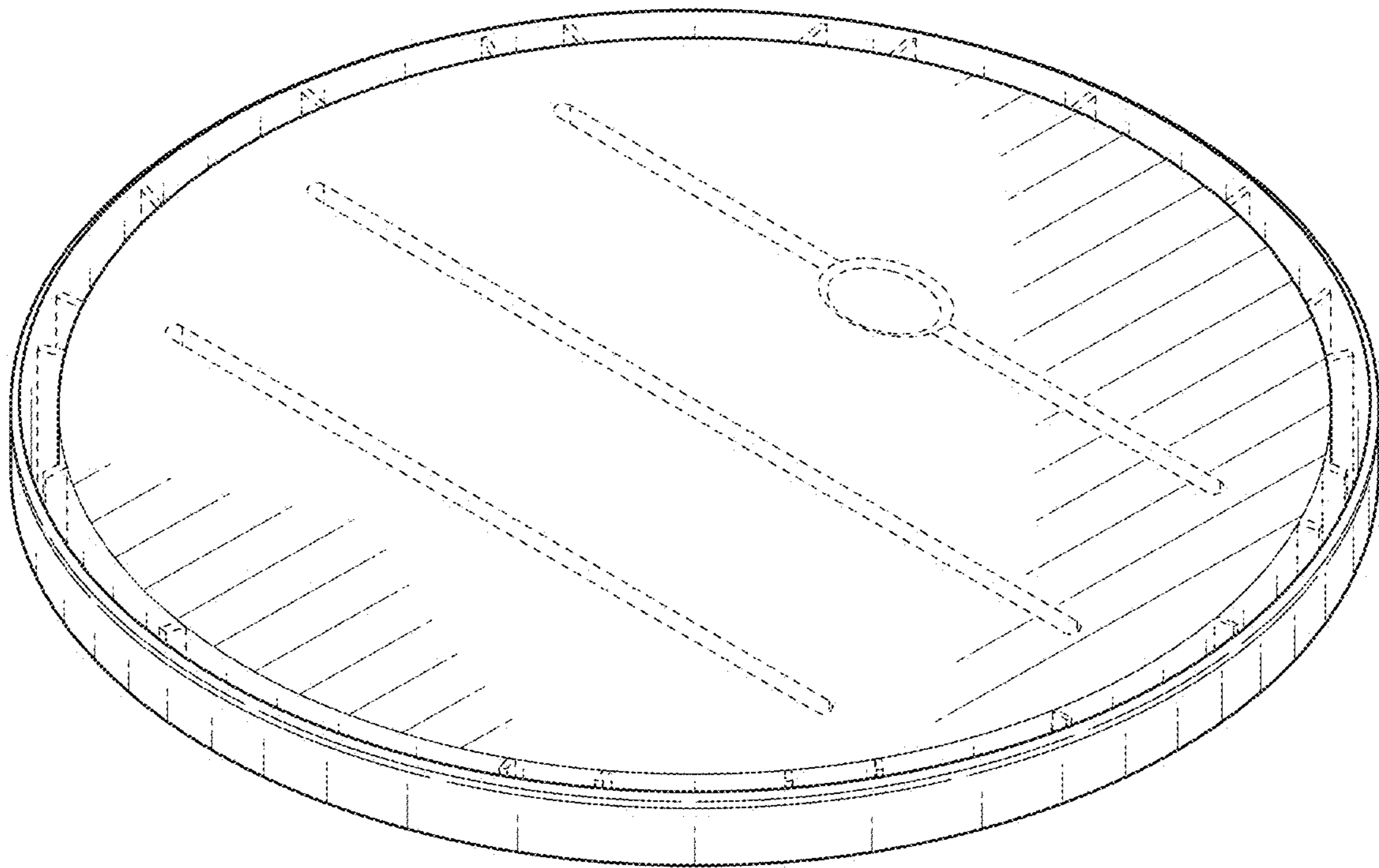


FIG. 1

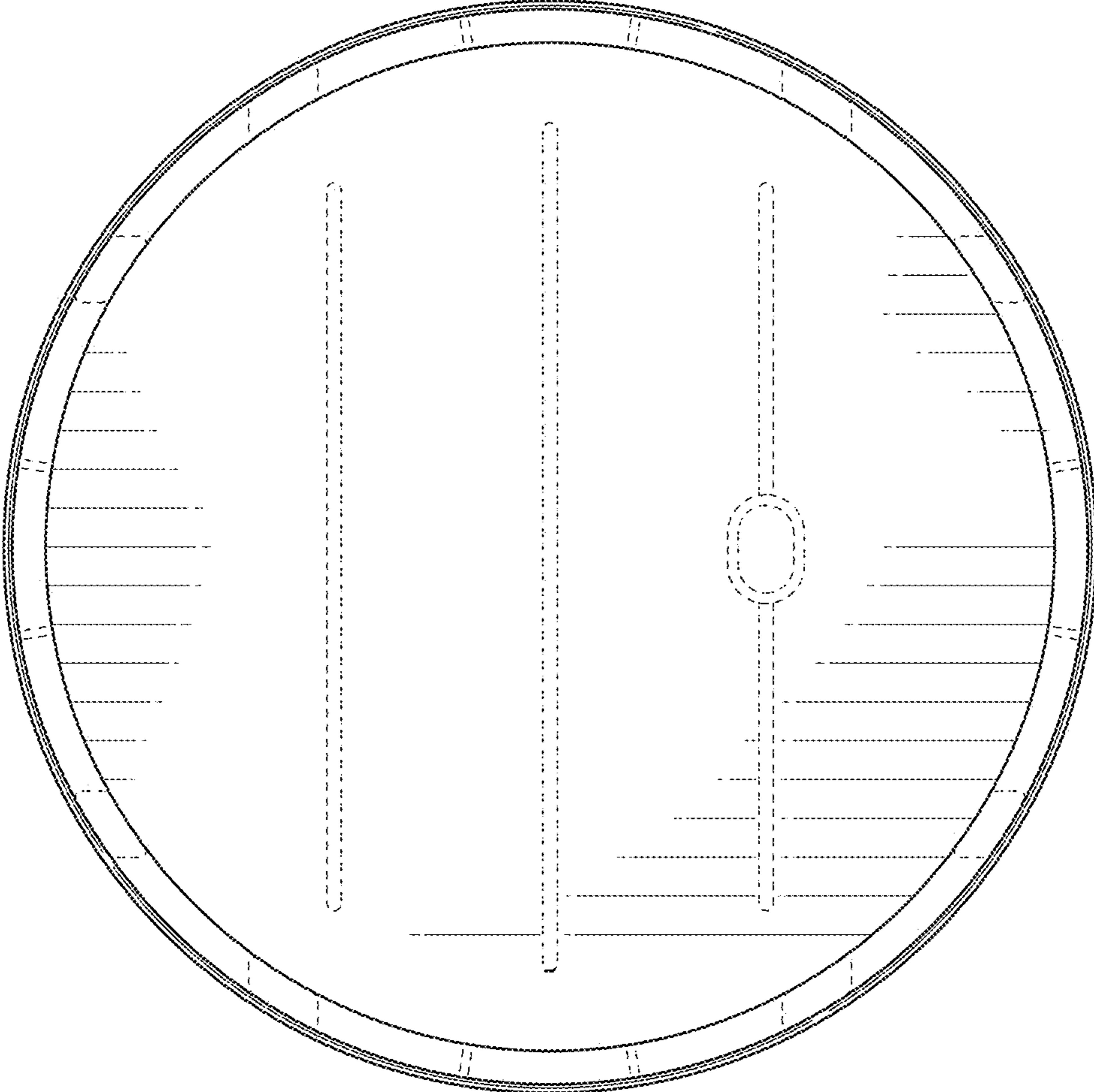


FIG. 2

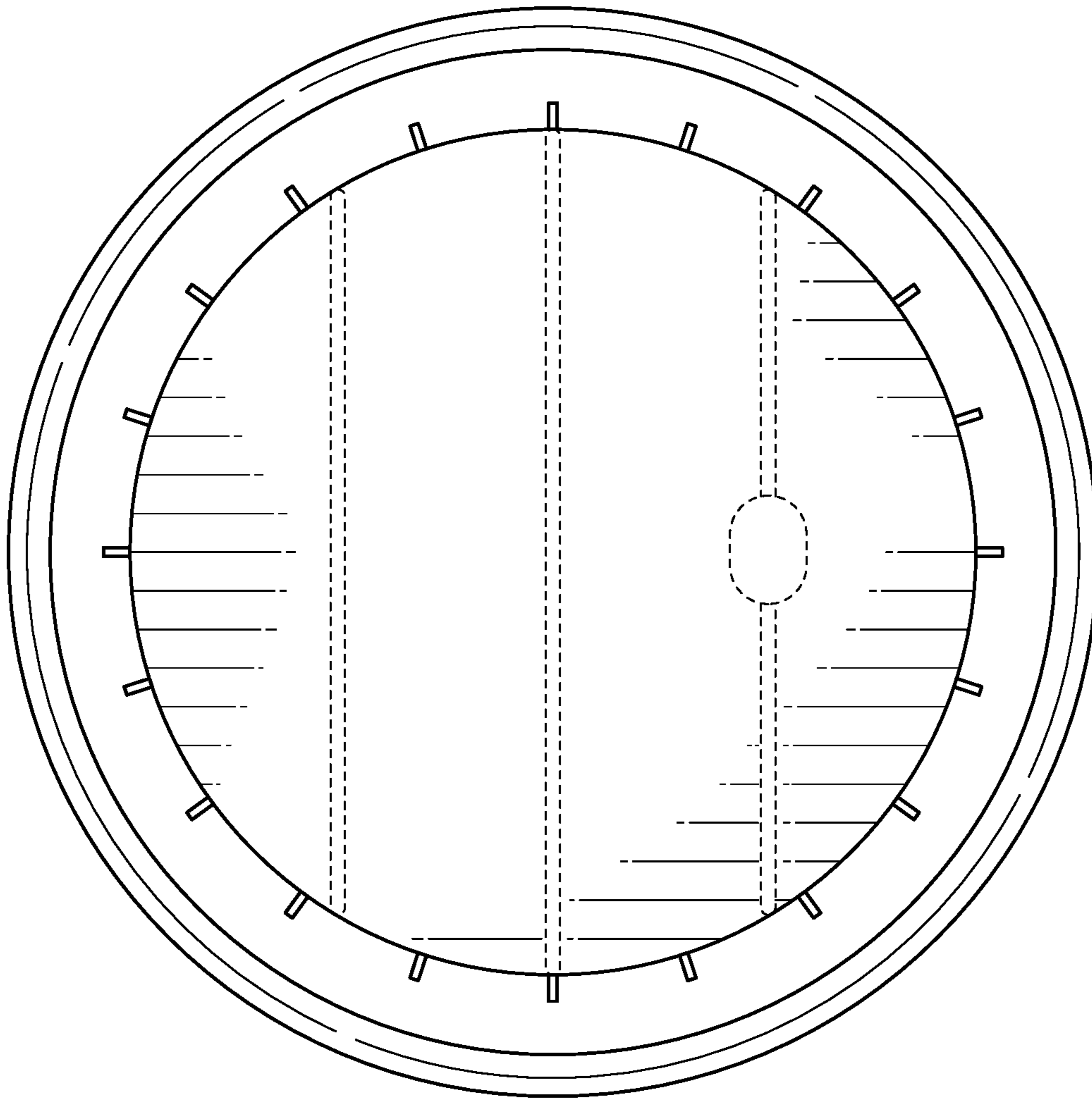


FIG. 3

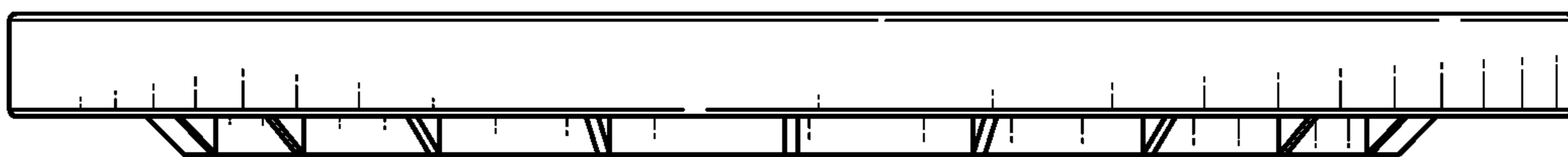


FIG. 4