



US00D870248S

(12) **United States Design Patent** (10) **Patent No.:** **US D870,248 S**  
**Spangler** (45) **Date of Patent:** **\*\* Dec. 17, 2019**

(54) **TUB SPOUT**

OTHER PUBLICATIONS

(71) Applicant: **DELTA FAUCET COMPANY**,  
Indianapolis, IN (US)  
(72) Inventor: **Anthony G. Spangler**, Indianapolis, IN  
(US)  
(73) Assignee: **DELTA FAUCET COMPANY**,  
Indianapolis, IN (US)  
(\*\*) Term: **15 Years**

Amazon, Kingston Brass Tub Spout, posted Apr. 21, 2012, [online],  
[visited Aug. 22, 2019]. Internet, URL: [https://www.amazon.co.uk/Kingston-Brass-K187A5-Rubbed-Bronze/dp/B0042G2C72/ref=olp\\_product\\_details?\\_encoding=UTF8&me=](https://www.amazon.co.uk/Kingston-Brass-K187A5-Rubbed-Bronze/dp/B0042G2C72/ref=olp_product_details?_encoding=UTF8&me=) (Year: 2012).\*  
Amazon, Delta Tesla Diverter Tub Spout, posted Feb. 7, 2017,  
[online], [visited Aug. 22, 2019]. Internet, URL: [https://www.amazon.co.uk/Delta-Faucet-RP78735PN-Diverter-Polished/dp/B015Z4BOZA/ref=olp\\_product\\_details?\\_encoding=UTF8&me=](https://www.amazon.co.uk/Delta-Faucet-RP78735PN-Diverter-Polished/dp/B015Z4BOZA/ref=olp_product_details?_encoding=UTF8&me=) (Year: 2017).\*  
Amazon, Danze Mid-Town Tub Spout with Diverter, posted Dec.  
13, 2017, [online], [visited Aug. 22, 2019]. Internet, URL: [https://www.amazon.co.uk/Danze-Mid-Town-Collection-Diverter-Chrome/dp/B01M1E9FP9/ref=olp\\_product\\_details?\\_encoding=UTF8&me=](https://www.amazon.co.uk/Danze-Mid-Town-Collection-Diverter-Chrome/dp/B01M1E9FP9/ref=olp_product_details?_encoding=UTF8&me=) (Year: 2017).\*

(21) Appl. No.: **29/631,863**

\* cited by examiner

(22) Filed: **Jan. 3, 2018**

(51) **LOC (12) Cl.** ..... **23-01**

*Primary Examiner* — Sheryl Lane

(52) **U.S. Cl.**

*Assistant Examiner* — Samantha N Wood

USPC ..... **D23/257**

(74) *Attorney, Agent, or Firm* — Edgar A. Zarins; Nirav  
D. Parikh

(58) **Field of Classification Search**

USPC ..... D23/257, 249, 254, 259, 255, 233, 234,  
D23/235, 236, 237, 238, 239, 240, 241,  
D23/242, 243, 244, 245, 246, 247, 248,  
D23/250, 251, 252, 253, 256

(57) **CLAIM**

The ornamental design for a tub spout, as shown and  
described.

CPC ..... E03C 1/01; E03C 1/0409; E03C 1/025;  
E03C 1/0408; Y10T 137/5339; Y10T  
137/6014; Y10T 137/6021

**DESCRIPTION**

See application file for complete search history.

FIG. 1 is a perspective view of a tub spout showing my new  
design;  
FIG. 2 is a top plan view thereof;  
FIG. 3 is a bottom view thereof;  
FIG. 4 is a left side view thereof, the opposite side being a  
mirror image of the side shown;  
FIG. 5 is a front end view thereof; and,  
FIG. 6 is a rear end view thereof.

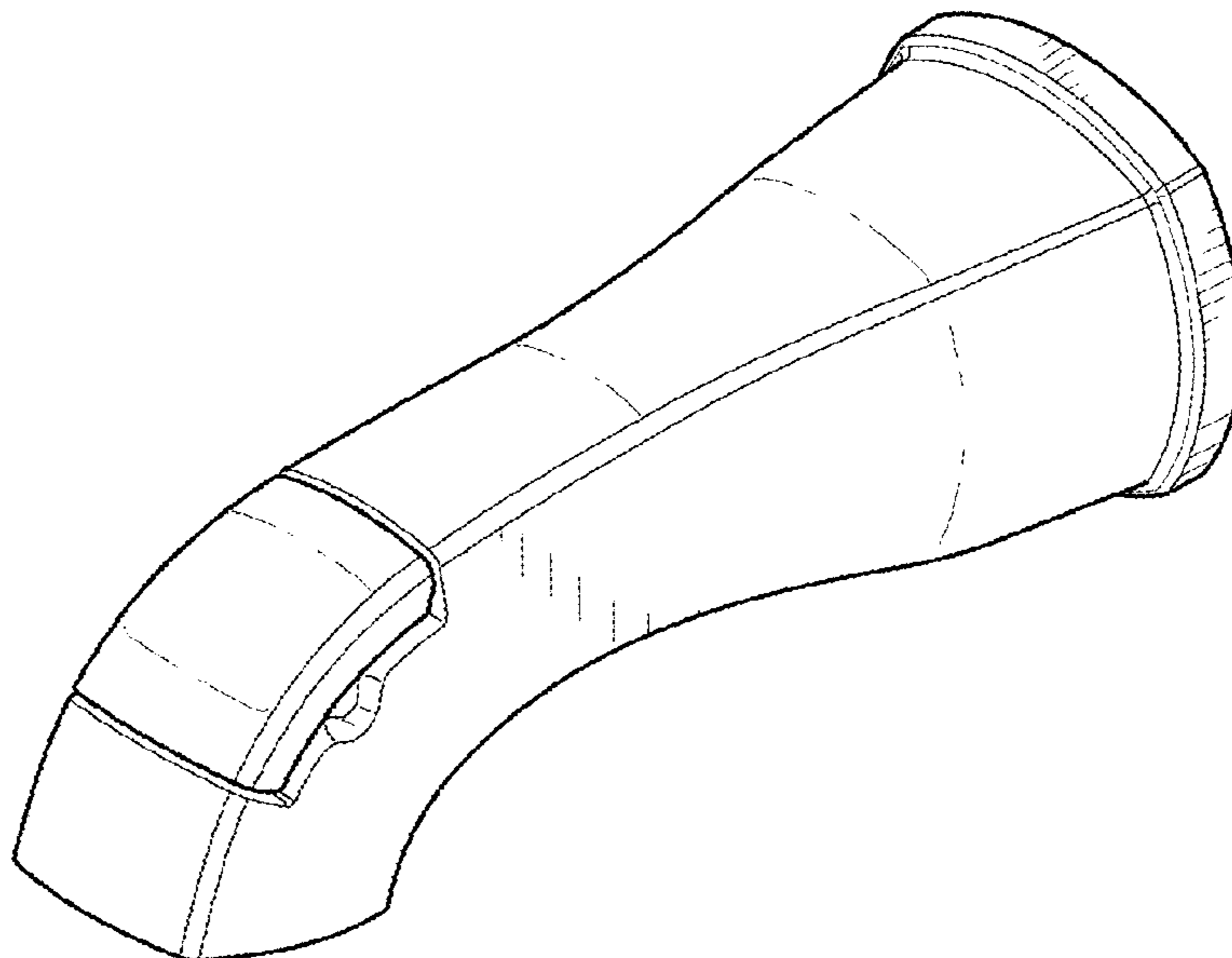
(56) **References Cited**

U.S. PATENT DOCUMENTS

D295,664 S \* 5/1988 Kohler, Jr. .... D23/255  
D529,589 S \* 10/2006 Veltz ..... D23/255  
D530,793 S \* 10/2006 Sutopo ..... D23/255  
D551,326 S \* 9/2007 Zhu ..... D23/255  
D656,585 S \* 3/2012 McKeone ..... D23/238  
D687,520 S \* 8/2013 Lord ..... D23/255  
D791,282 S \* 7/2017 Bahler ..... D23/255

The broken lines showing portions of the tub spout are  
included for the purpose of illustrating the environmental  
structure and form no part of the claimed design.

**1 Claim, 2 Drawing Sheets**



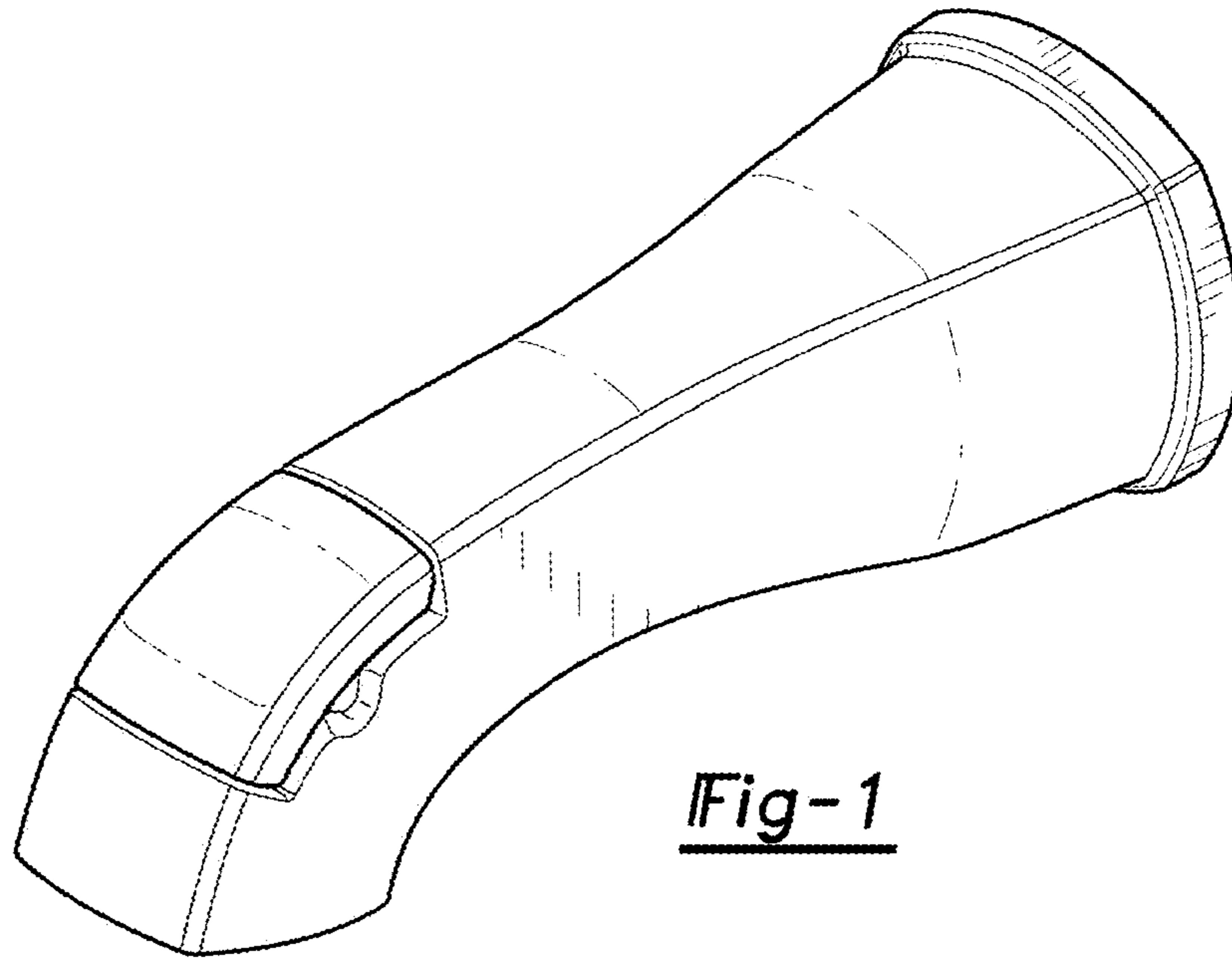


Fig-1

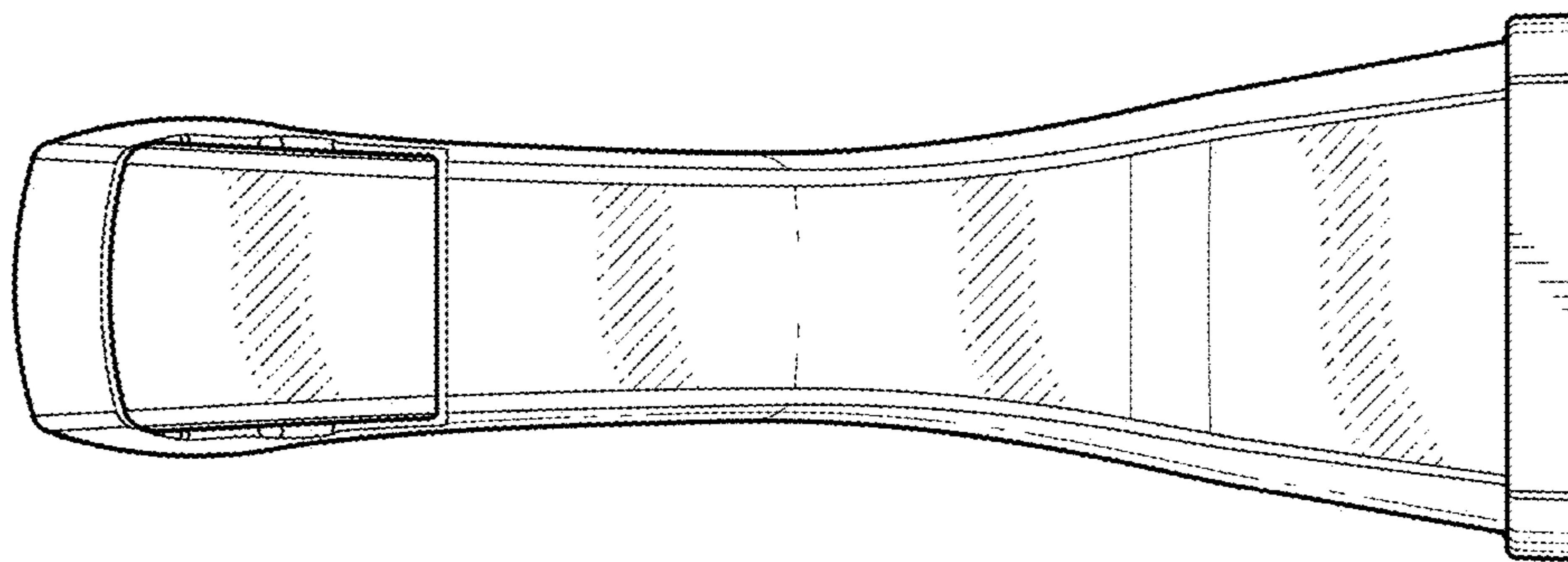


Fig-2

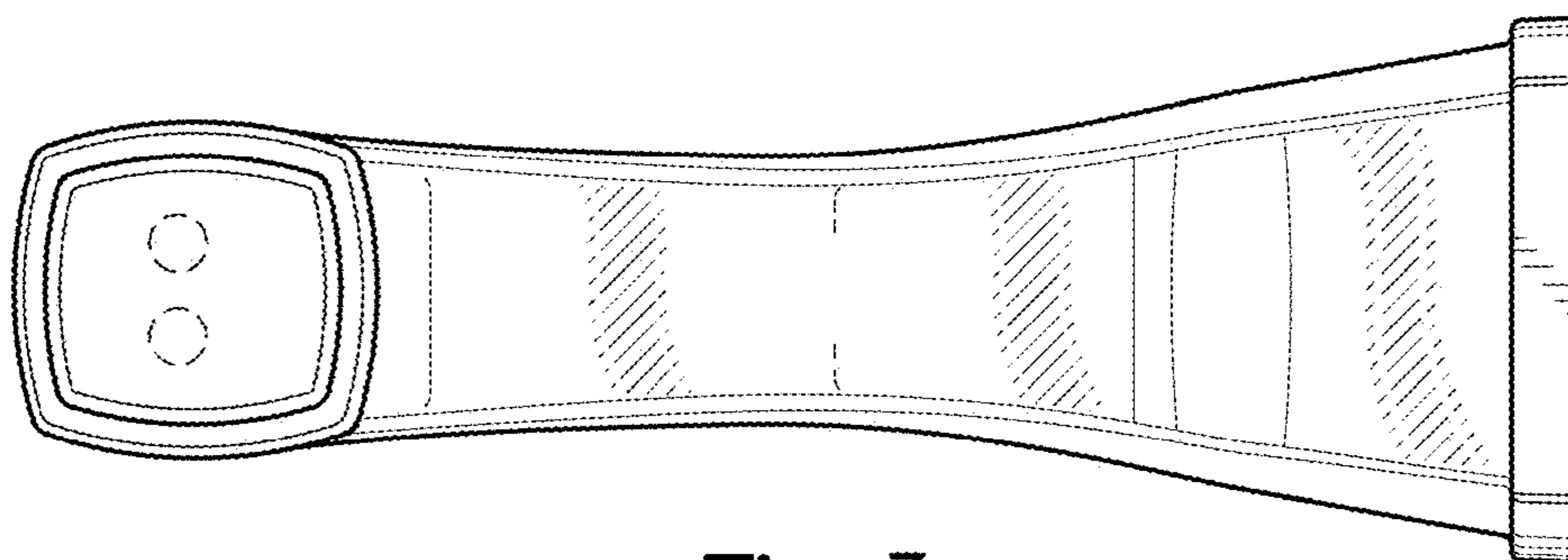


Fig-3

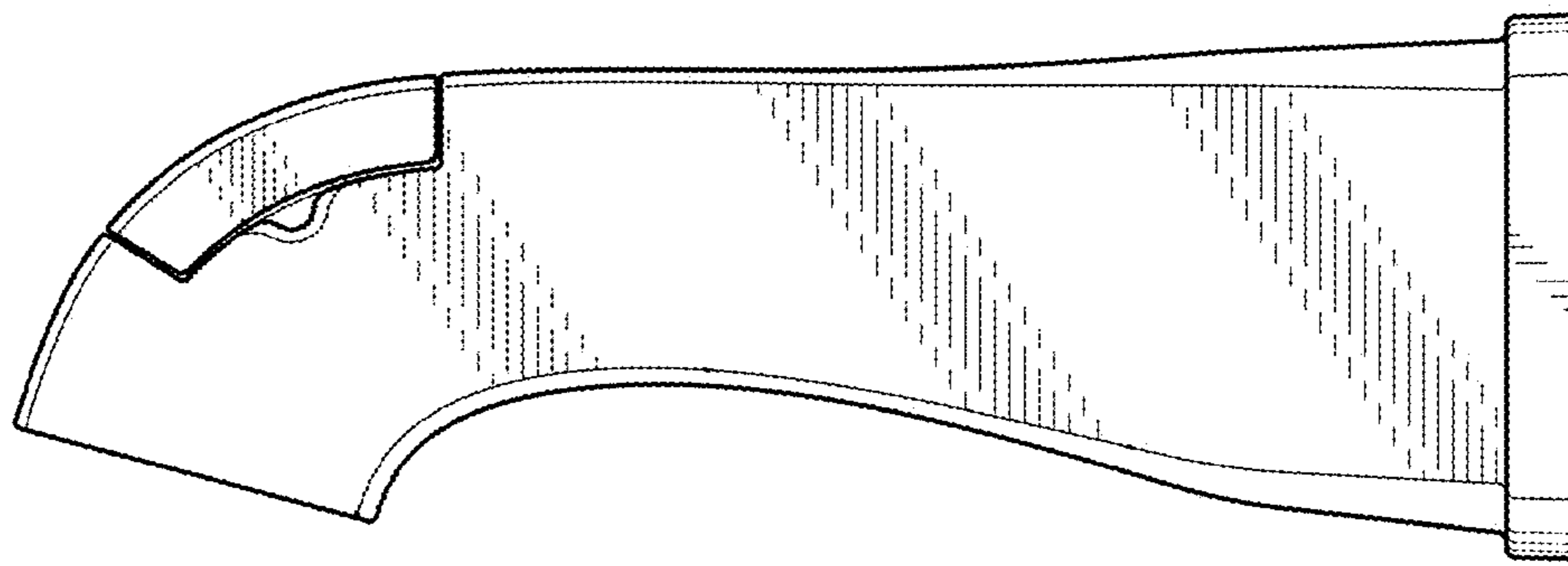


Fig-4

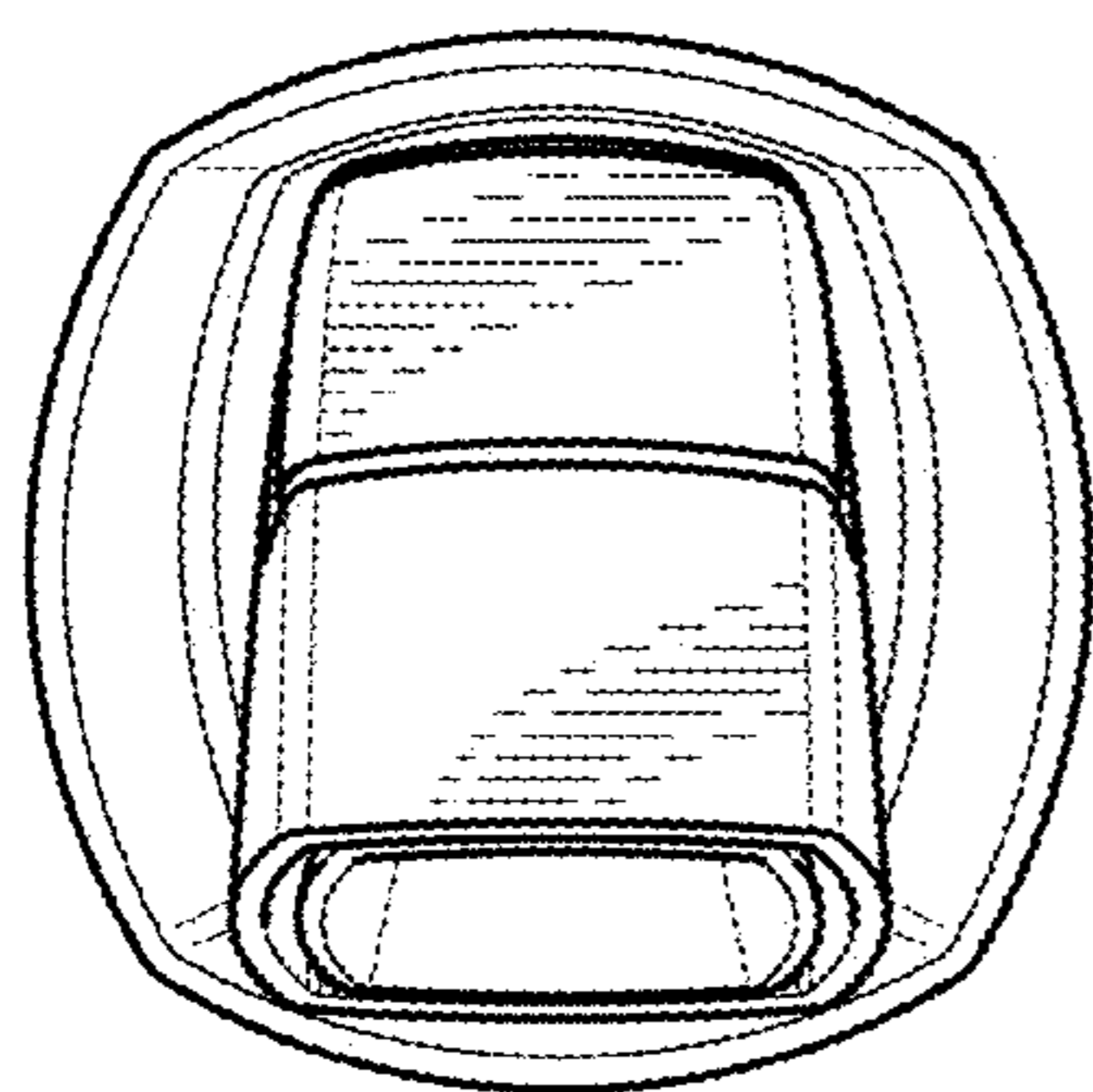


Fig-5

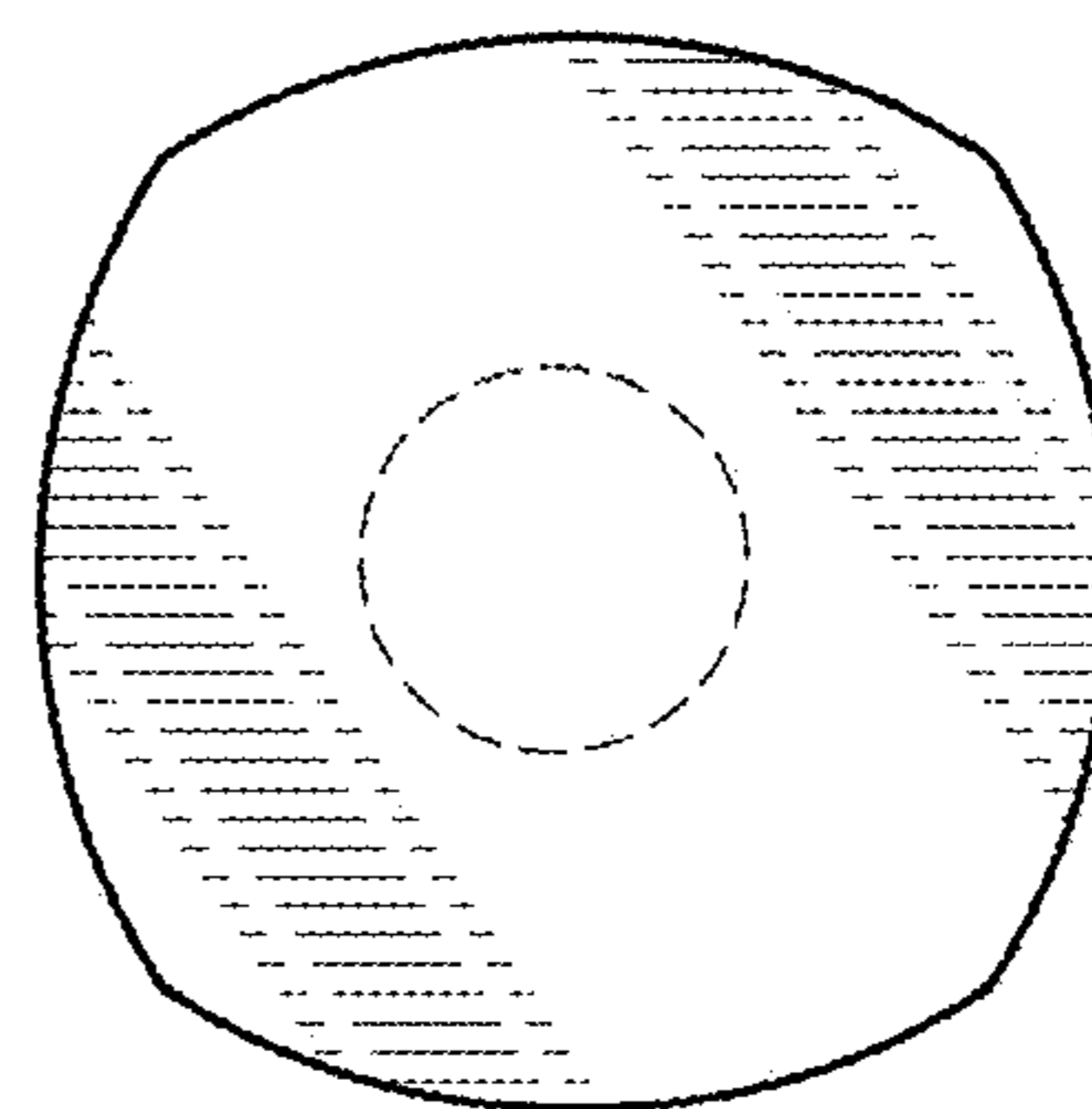


Fig-6