



US00D870246S

(12) **United States Design Patent** (10) **Patent No.:** **US D870,246 S**
Spangler (45) **Date of Patent:** **** Dec. 17, 2019**

(54) **VALVE**
(71) Applicant: **DELTA FAUCET COMPANY**,
Indianapolis, IN (US)
(72) Inventor: **Anthony G. Spangler**, Indianapolis, IN
(US)
(73) Assignee: **DELTA FAUCET COMPANY**,
Indianapolis, IN (US)
(**) Term: **15 Years**
(21) Appl. No.: **29/632,387**
(22) Filed: **Jan. 8, 2018**
(51) **LOC (12) Cl.** **23-01**
(52) **U.S. Cl.**
USPC **D23/254**
(58) **Field of Classification Search**
USPC D23/257, 249, 254, 259, 255, 233, 234,
D23/235, 236, 237, 238, 239, 240, 241,
D23/242, 243, 244, 245, 246, 247, 248,
D23/250, 251, 252, 253, 256; D8/308,
D8/307, 321
CPC E03C 1/01; E03C 1/0409; E03C 1/025;
E03C 1/0408; Y10T 137/5339; Y10T
137/6014; Y10T 137/6021
See application file for complete search history.

D655,397 S * 3/2012 Huang D23/252
D668,745 S * 10/2012 Citterio D23/253
D712,518 S * 9/2014 Citterio D23/253
D789,492 S * 6/2017 Dube D23/254
D827,103 S * 8/2018 Spangler D23/254

OTHER PUBLICATIONS

Amazon, iBathUK Mixer Shower Valve, posted Aug. 18, 2016,
[online], [visited Aug. 23, 2019]. Internet, URL: https://www.amazon.co.uk/iBathUK-Traditional-Thermostatic-Concealed-Diverter/dp/B00FL0V1Y8/ref=olp_product_details?_encoding=UTF8&me= (Year: 2016).*
Amazon, Aqualisa Chrome Control Knob, posted Jul. 20, 2011,
[online], [visited Aug. 23, 2019]. Internet, URL: https://www.amazon.co.uk/Aqualisa-Chrome-Control-Knob-164402/dp/B005DKBDW6/ref=olp_product_details?_encoding=UTF8&me= (Year: 2011).*

(Continued)

Primary Examiner — Sheryl Lane
Assistant Examiner — Samantha N Wood
(74) *Attorney, Agent, or Firm* — Edgar A. Zarins; Nirav
D. Parikh

(57) **CLAIM**

The ornamental design for a valve, as shown and described.

DESCRIPTION

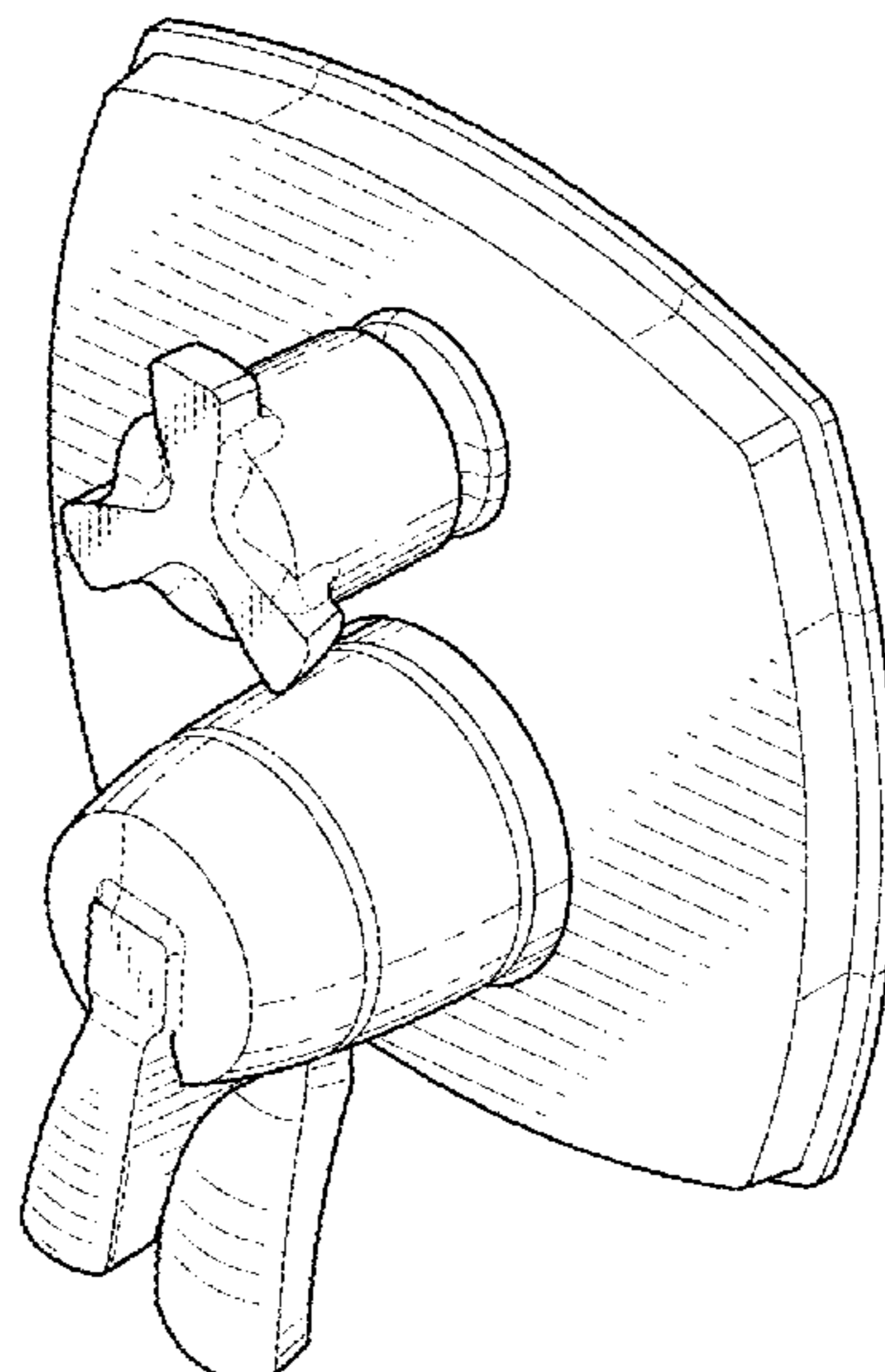
FIG. 1 is a perspective view of a valve showing my new design;
FIG. 2 is a top plan view thereof;
FIG. 3 is a front elevational view thereof;
FIG. 4 is a bottom view thereof;
FIG. 5 is a right side view thereof, the opposite side being
a mirror image of the side shown; and,
FIG. 6 is a rear view thereof.
The broken lines showing portions of the valve are included
for the purpose of illustrating the environmental structure
and form no part of the claimed design.

1 Claim, 3 Drawing Sheets

(56) **References Cited**

U.S. PATENT DOCUMENTS

D87,511 S * 8/1932 Duncan D23/253
D199,555 S * 11/1964 Doman D23/252
3,533,436 A * 10/1970 Parkison F16K 11/00
137/359
D316,747 S * 5/1991 Fleischmann D23/252
D416,609 S * 11/1999 Mullenmeister D23/252
D417,906 S * 12/1999 Mullenmeister D23/238
D434,475 S * 11/2000 Meda D23/252
D443,037 S * 5/2001 Burns D23/254



(56)

References Cited

OTHER PUBLICATIONS

Amazon, hansgrohe Thermostatic mixer, posted Nov. 29, 2014, [online], [visited Aug. 23, 2019]. Internet, URL: https://www.amazon.co.uk/hansgrohe-thermostatic-integrated-diverter-15708000/dp/B00NP2E11Y/ref=olp_product_details?_encoding=UTF8&me= (Year: 2014).*

* cited by examiner

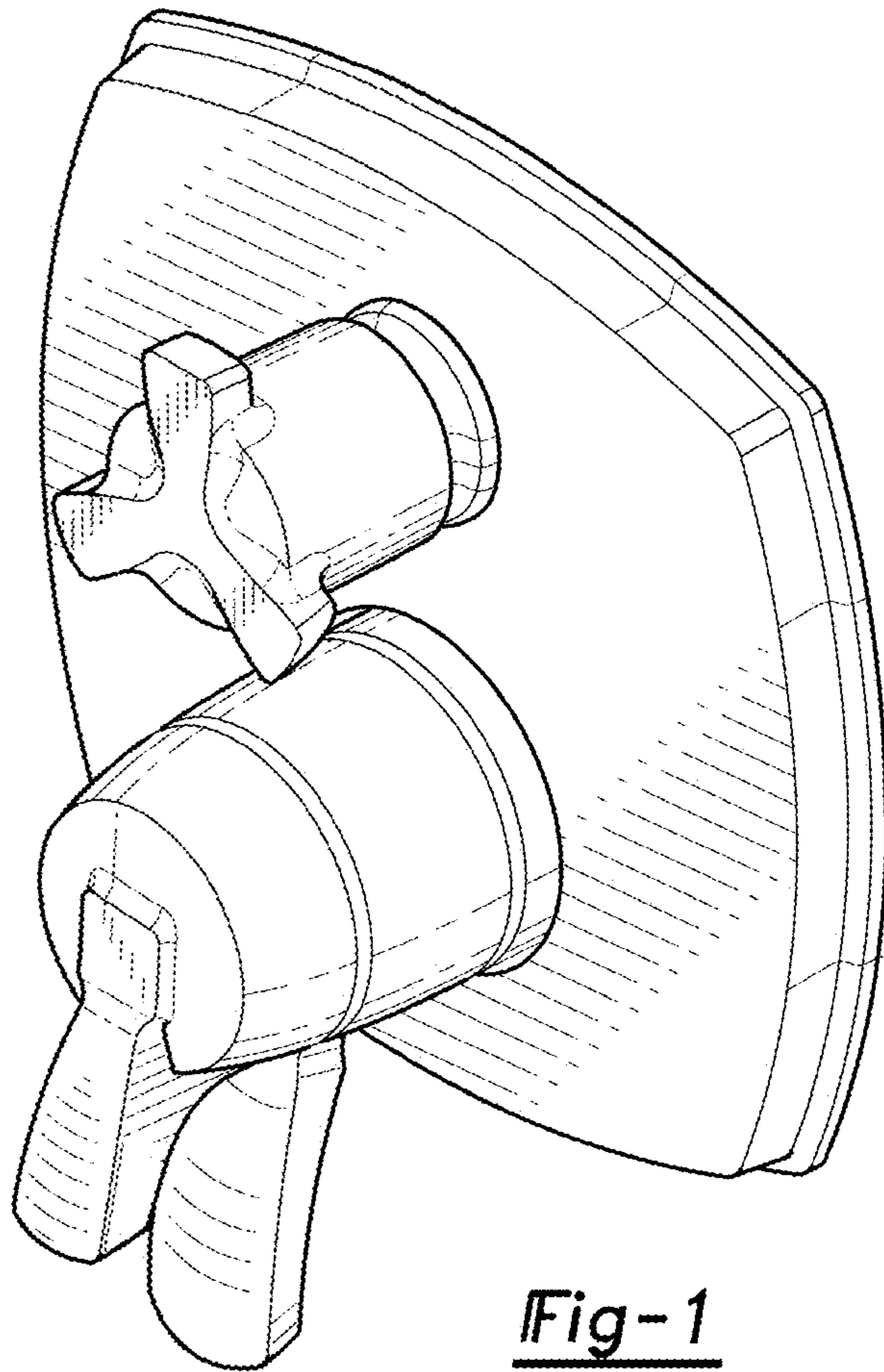


Fig-1

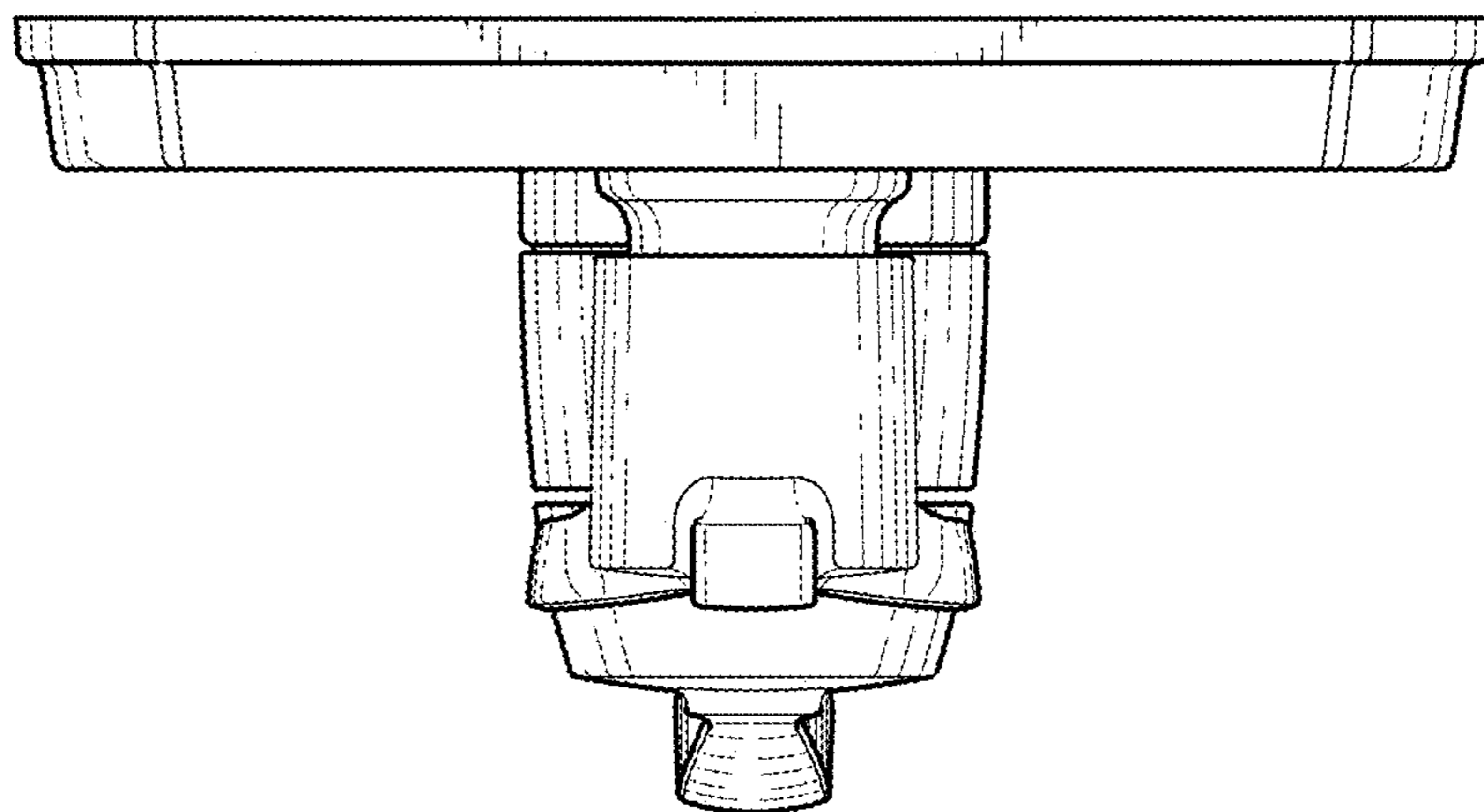


Fig-2

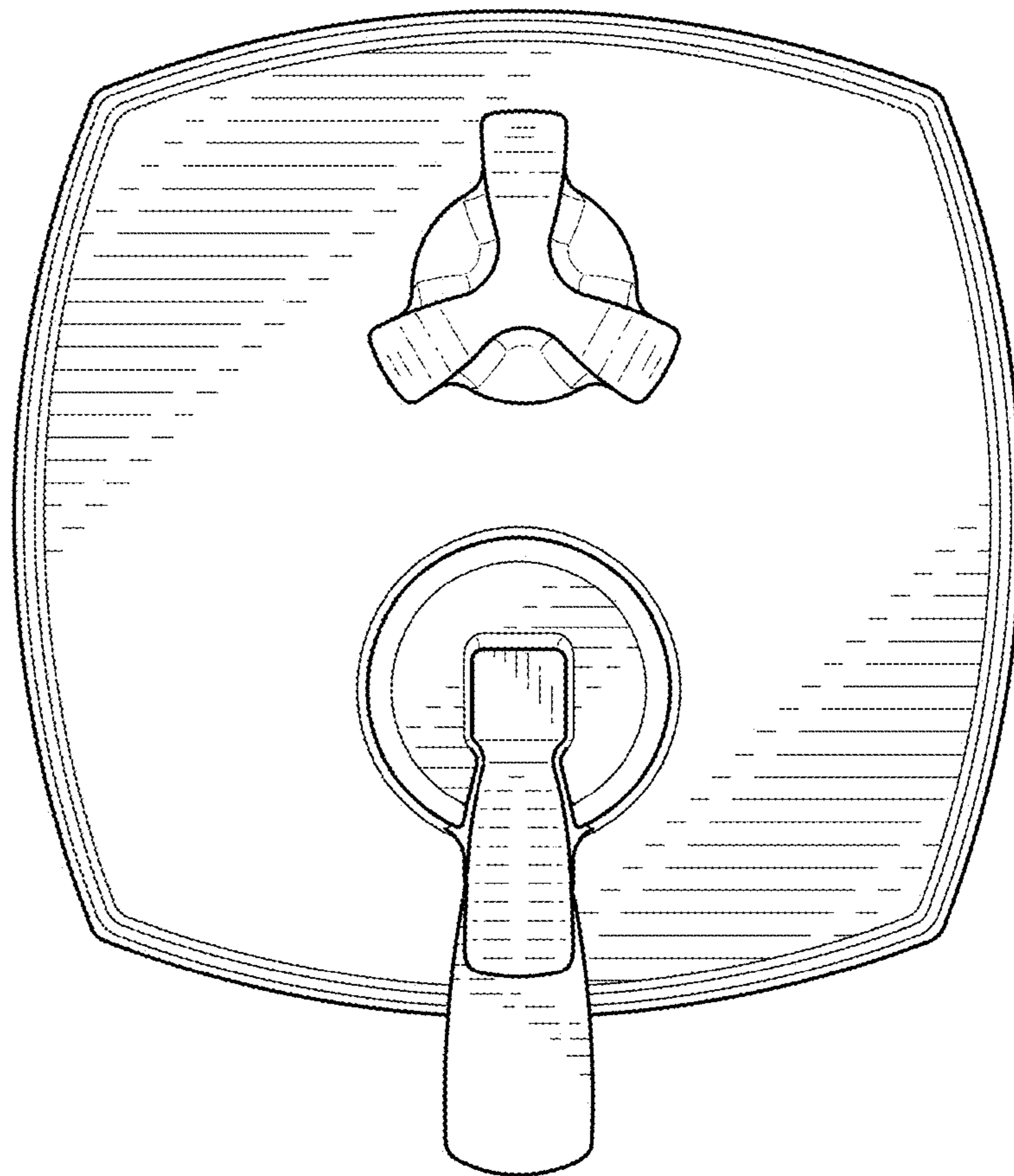


Fig-3

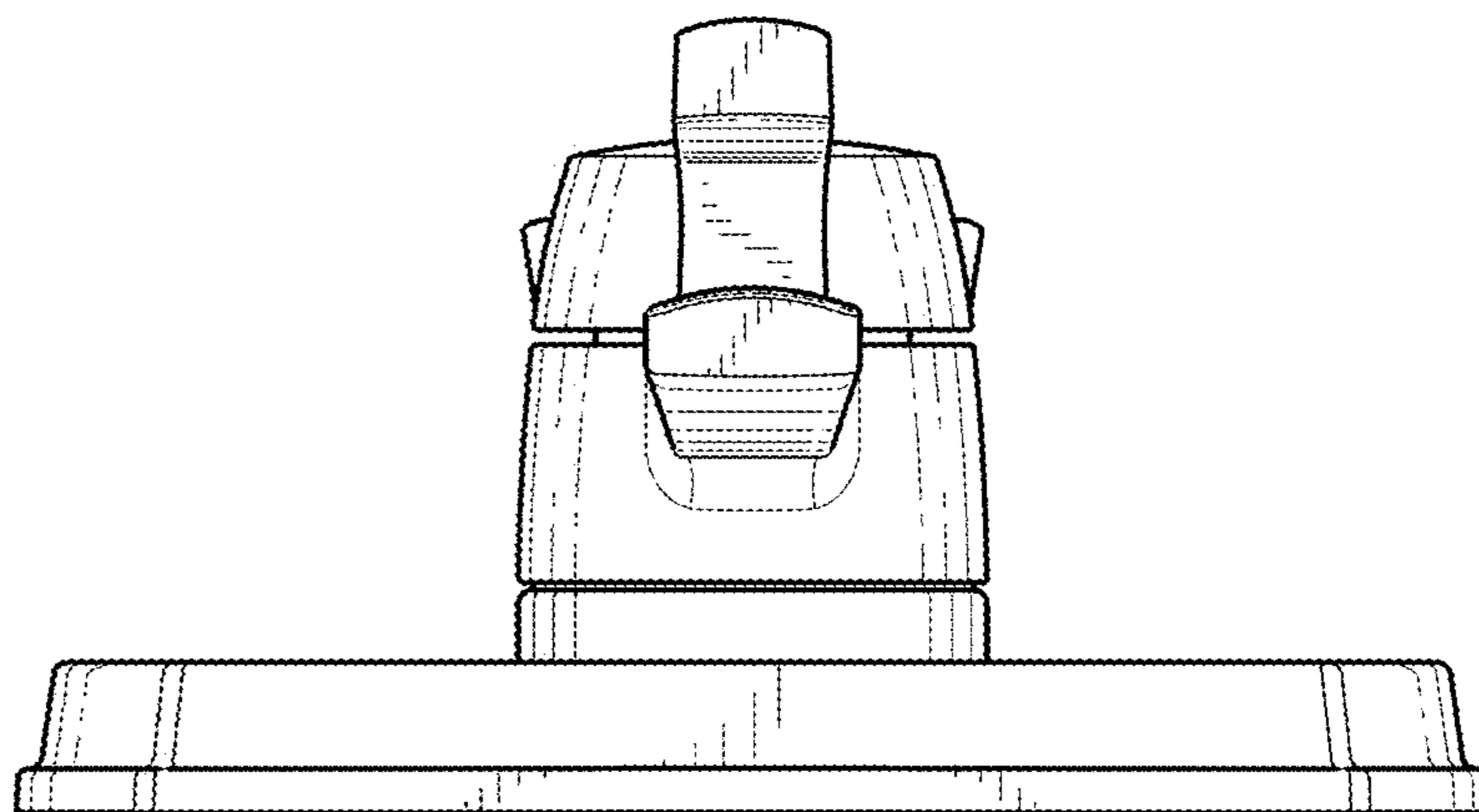


Fig-4

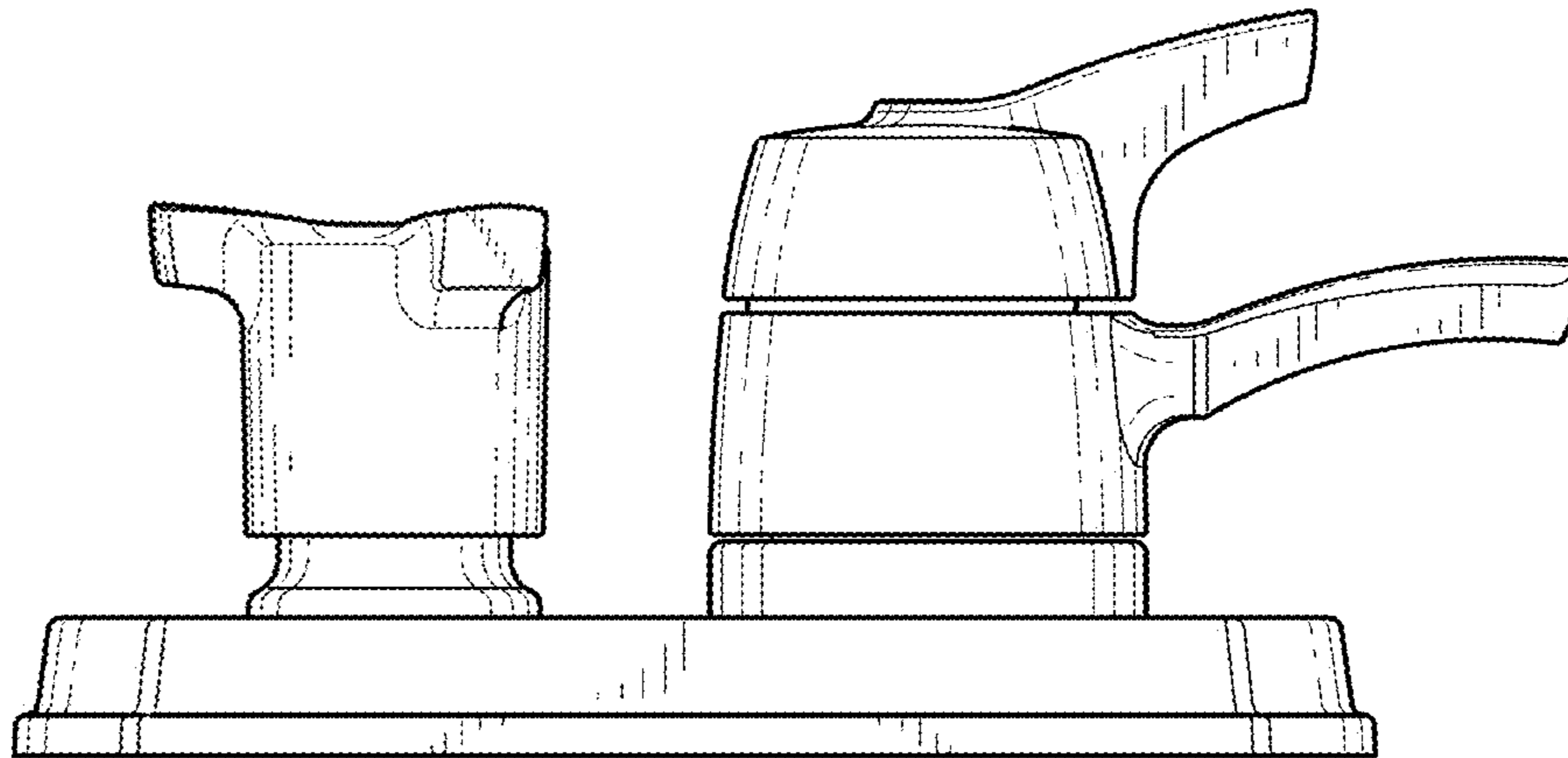


Fig-5

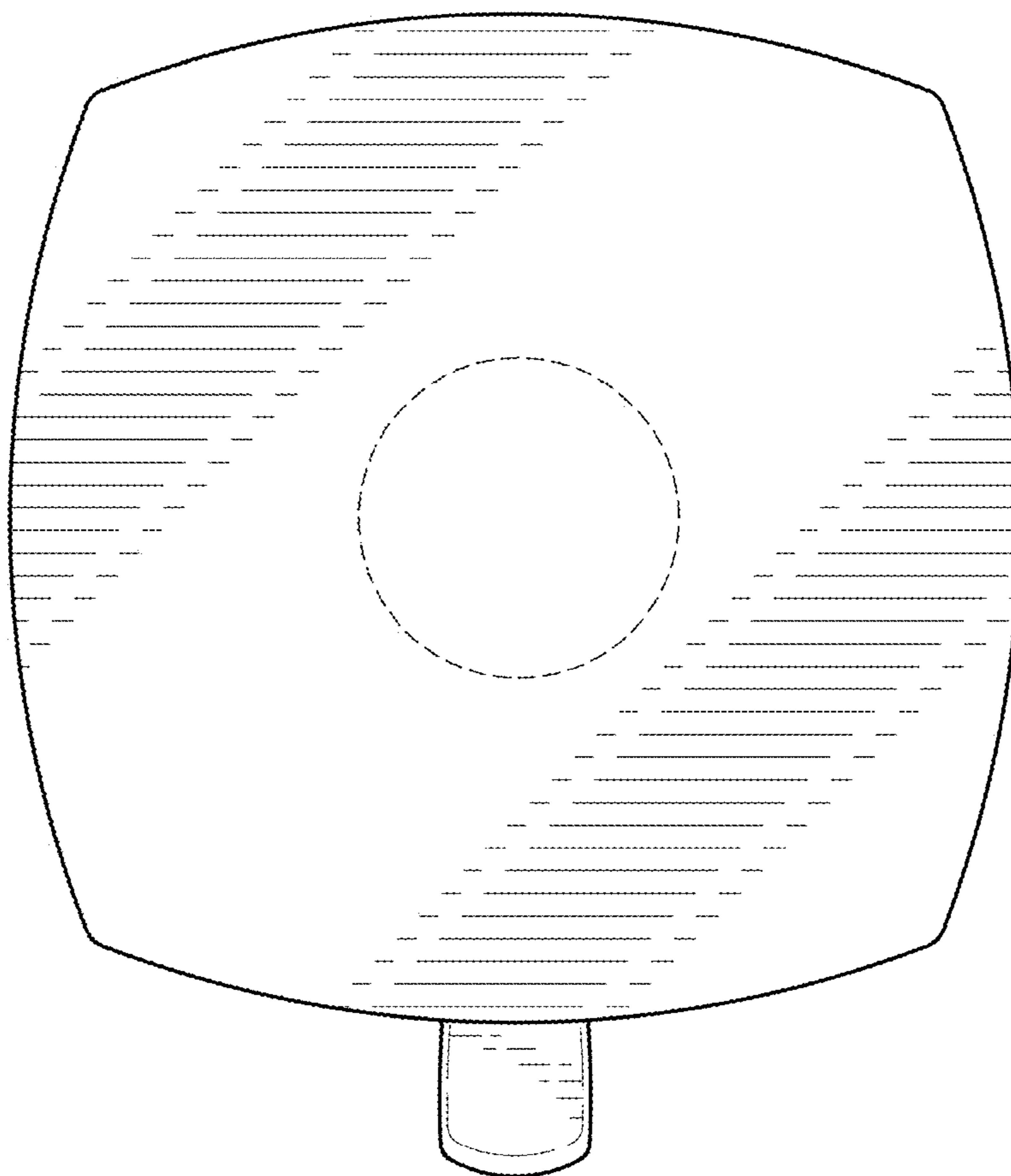


Fig-6