



US00D870245S

(12) **United States Design Patent** (10) **Patent No.:** **US D870,245 S**
Stoler (45) **Date of Patent:** **** *Dec. 17, 2019**

(54) **FAUCET HANDLE**

(71) Applicant: **DELTA FAUCET COMPANY,**
Indianapolis, IN (US)

(72) Inventor: **Benjamin David Stoler,** Carmel, IN
(US)

(73) Assignee: **DELTA FAUCET COMPANY,**
Indianapolis, IN (US)

(*) Notice: This patent is subject to a terminal disclaimer.

(**) Term: **15 Years**

(21) Appl. No.: **29/643,976**

(22) Filed: **Apr. 13, 2018**

(51) **LOC (12) Cl.** **23-01**

(52) **U.S. Cl.**
USPC **D23/252**

(58) **Field of Classification Search**
USPC D23/238-243, 249, 250, 252, 254, 255,
D23/257, 245, 309; D8/300, 307, 308;
D7/394, 622, 395, 545, 398
CPC Y10T 137/9464
See application file for complete search history.

(56) **References Cited**

U.S. PATENT DOCUMENTS

D519,608 S * 4/2006 Fritz D23/241
D520,117 S * 5/2006 Fritz D23/241

D522,626 S * 6/2006 Fritz D23/252
D526,052 S * 8/2006 Lord D23/252
D596,712 S * 7/2009 Schoenherr D23/252
2004/0050434 A1* 3/2004 Chen E03C 1/0404
137/801
2006/0118188 A1* 6/2006 Hsu E03C 1/04
137/801

* cited by examiner

Primary Examiner — Sheryl Lane

Assistant Examiner — Samantha N Wood

(74) *Attorney, Agent, or Firm* — Edgar A. Zarins; Nirav D. Parikh

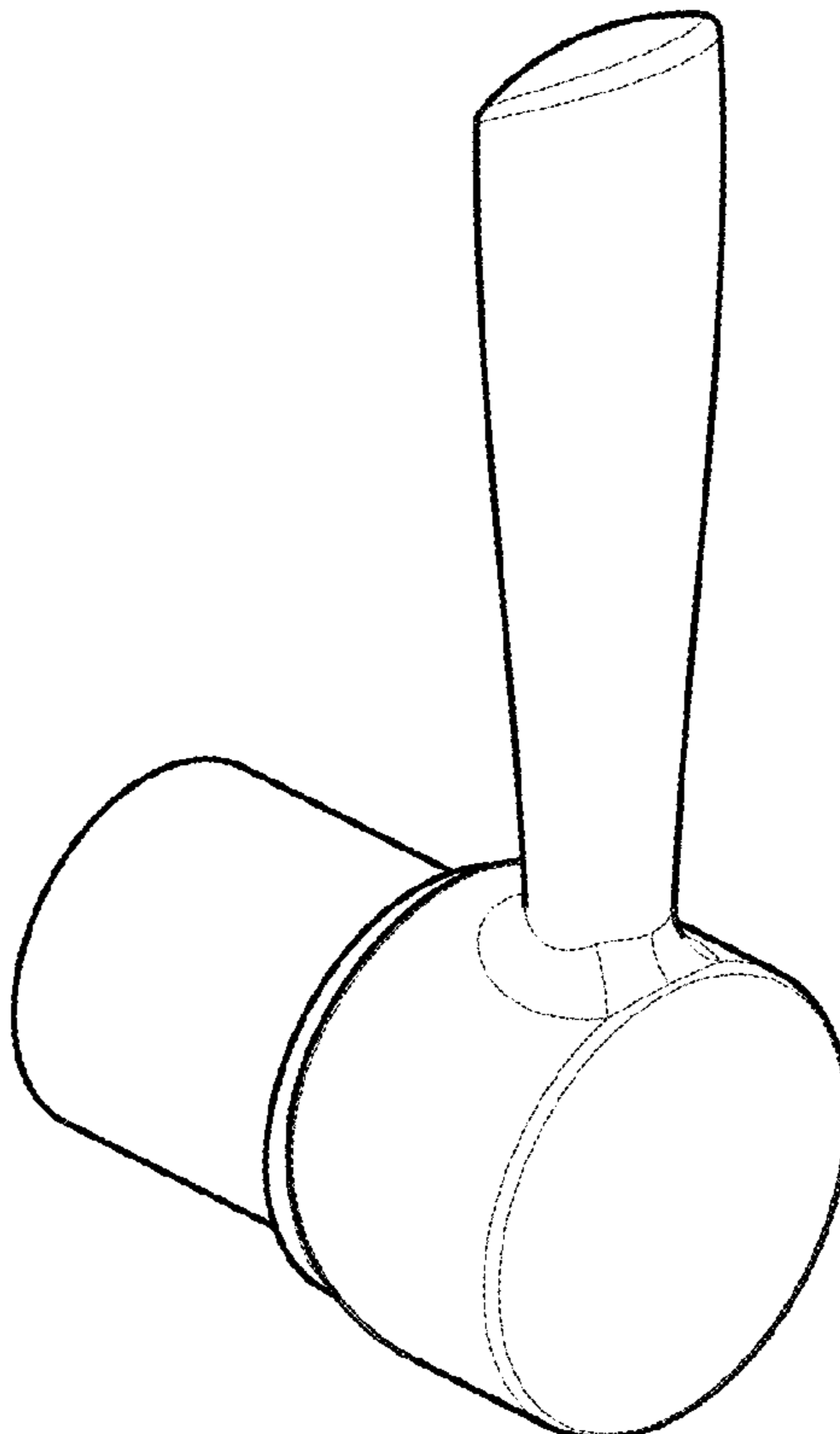
(57) **CLAIM**

The ornamental design for a faucet handle, as shown and described.

DESCRIPTION

FIG. 1 is a first perspective view of a faucet handle showing my new design;
FIG. 2 is a second perspective view thereof;
FIG. 3 is a front elevational view thereof;
FIG. 4 is a left side view thereof;
FIG. 5 is a rear view thereof;
FIG. 6 is a right side view thereof;
FIG. 7 is a top plan view thereof; and,
FIG. 8 is a bottom view thereof.
Portions of the article shown in broken lines form no part of the claimed design.

1 Claim, 4 Drawing Sheets



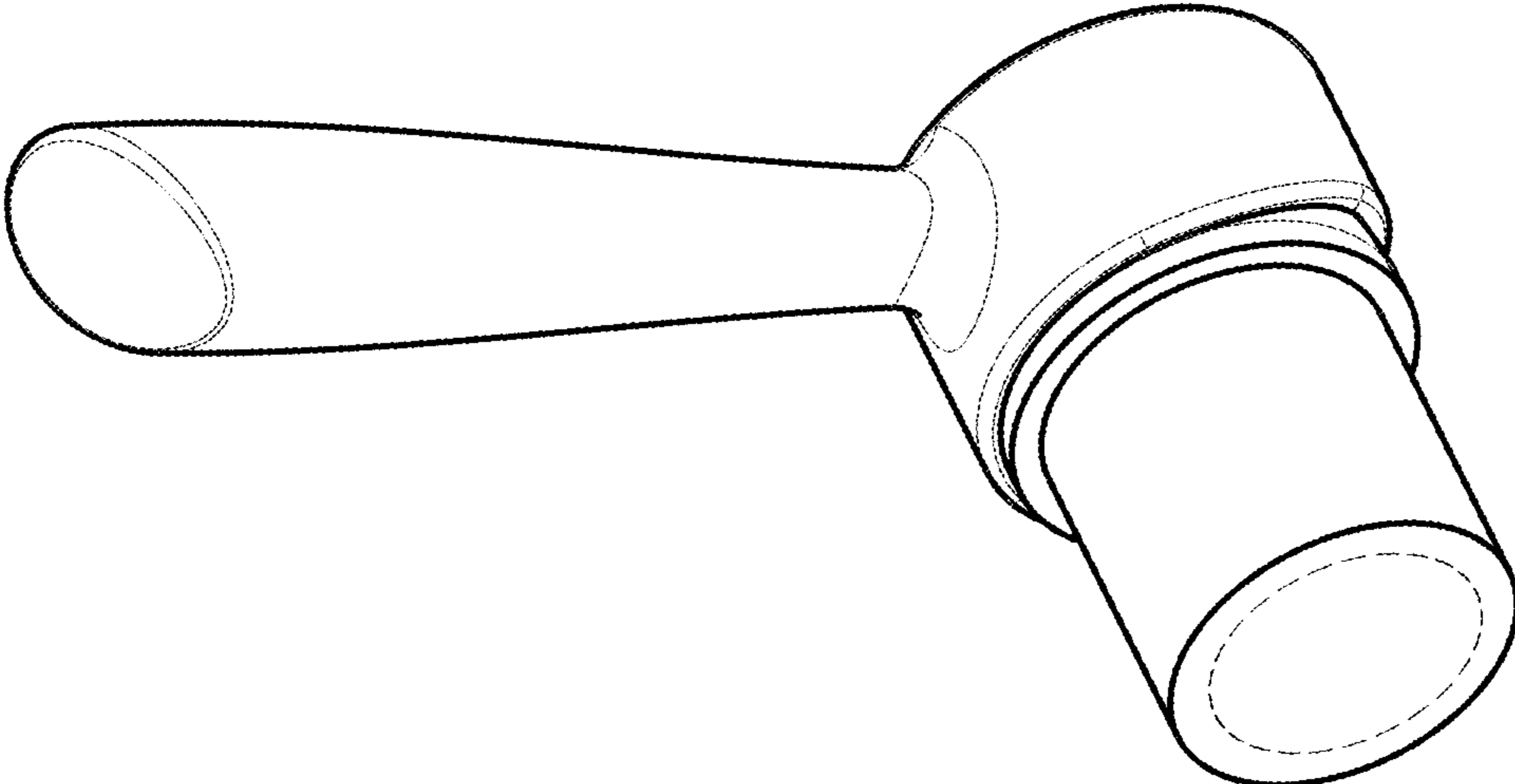


Fig. 2

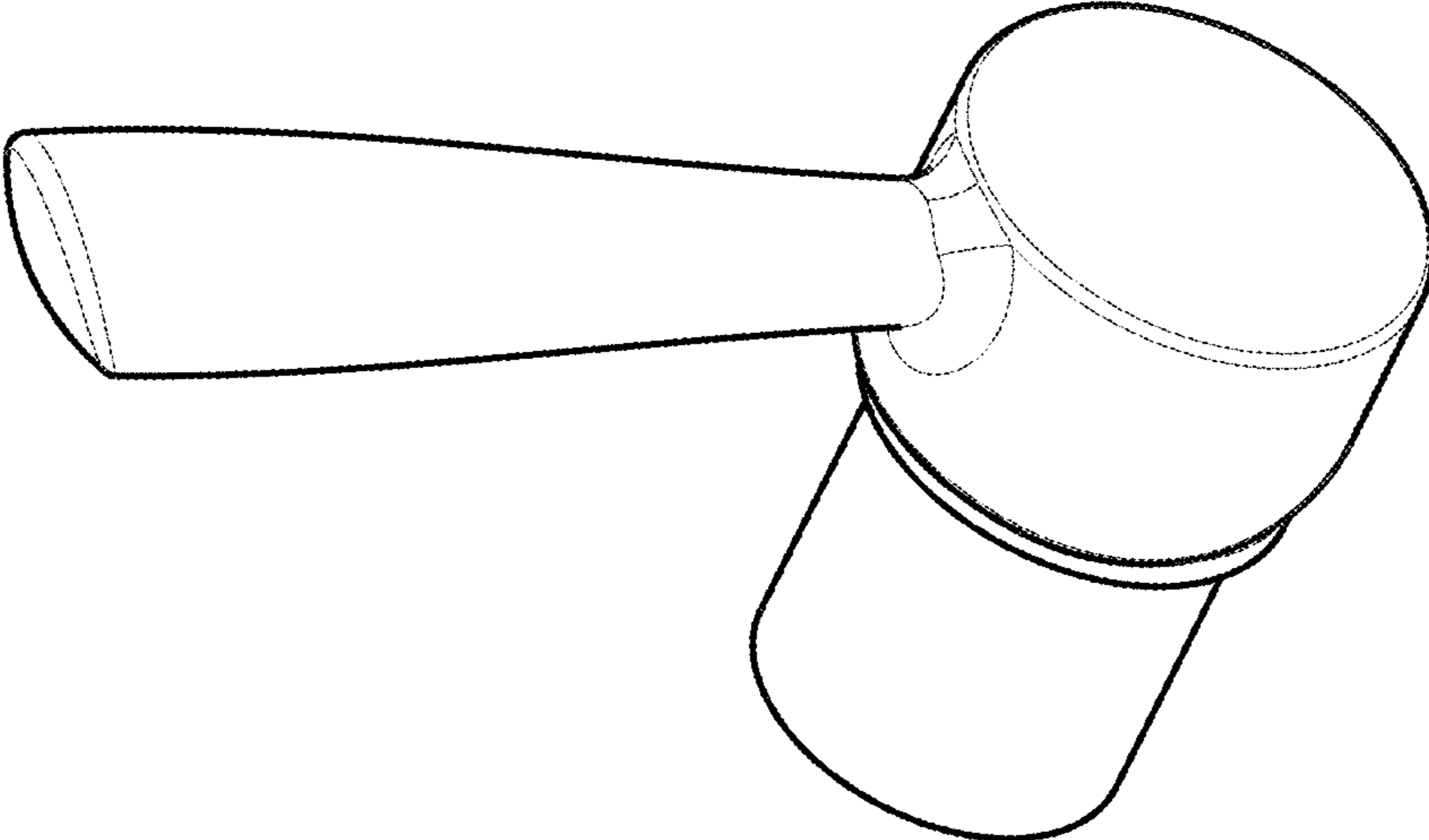


Fig. 1

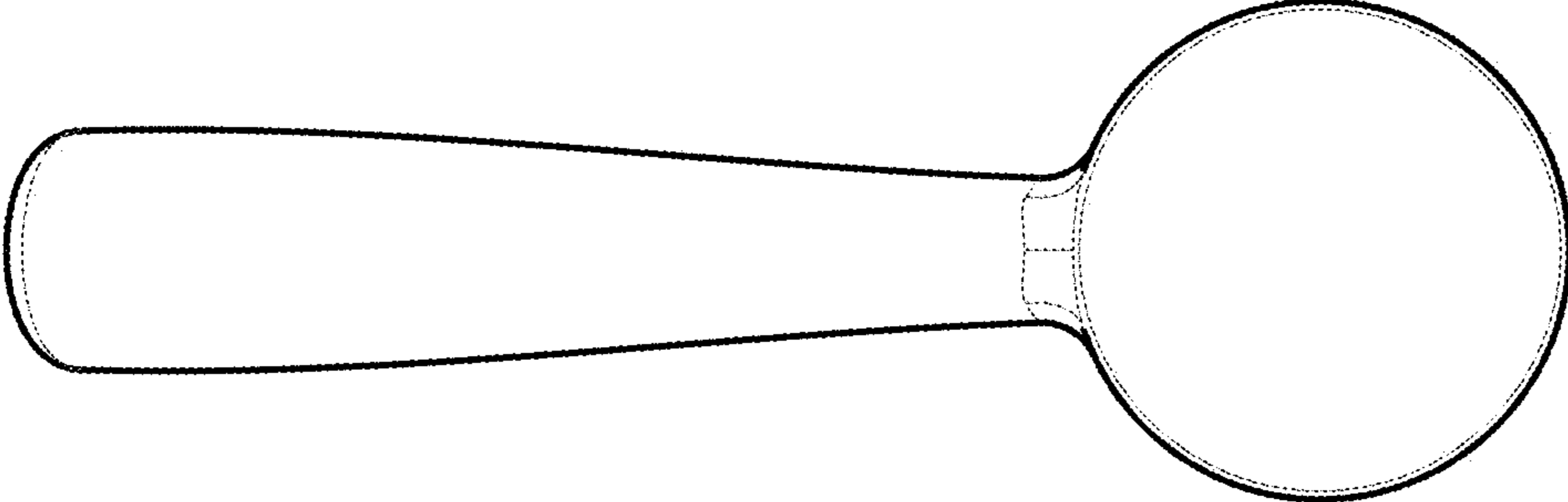


Fig. 4

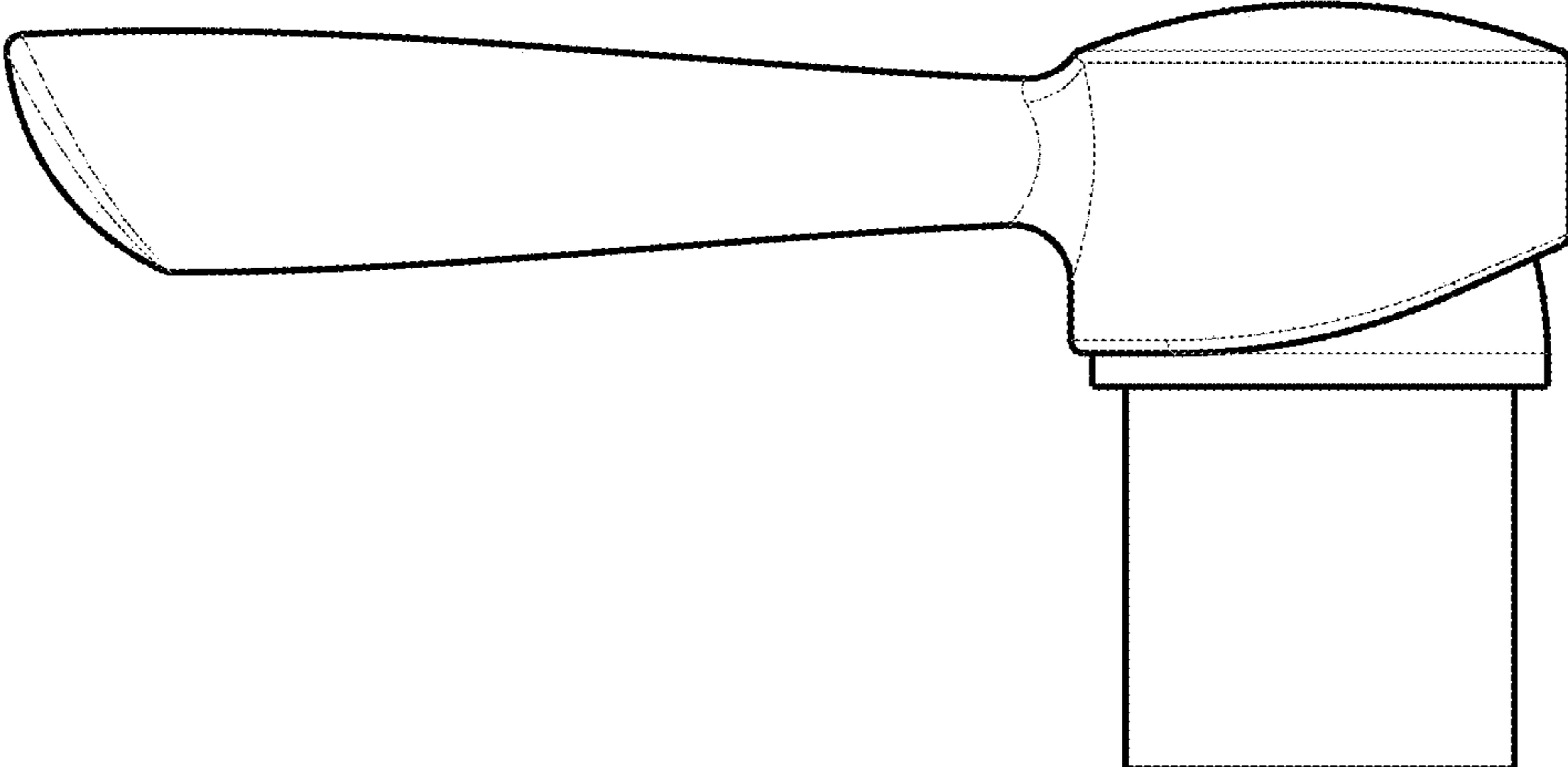


Fig. 3

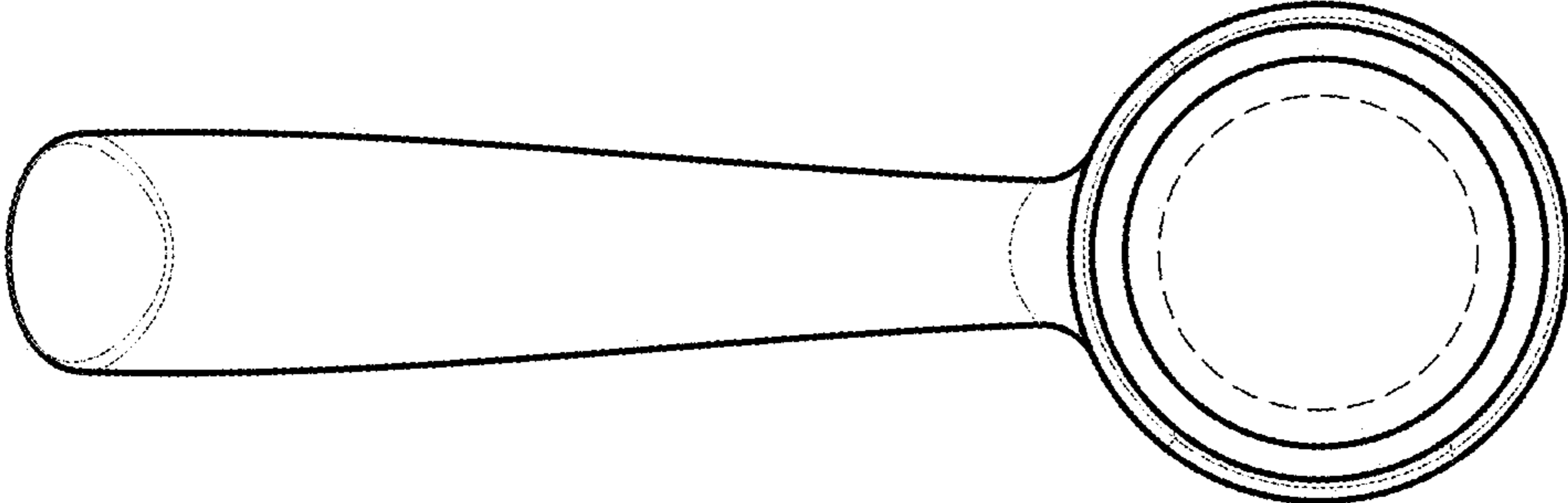


Fig. 6

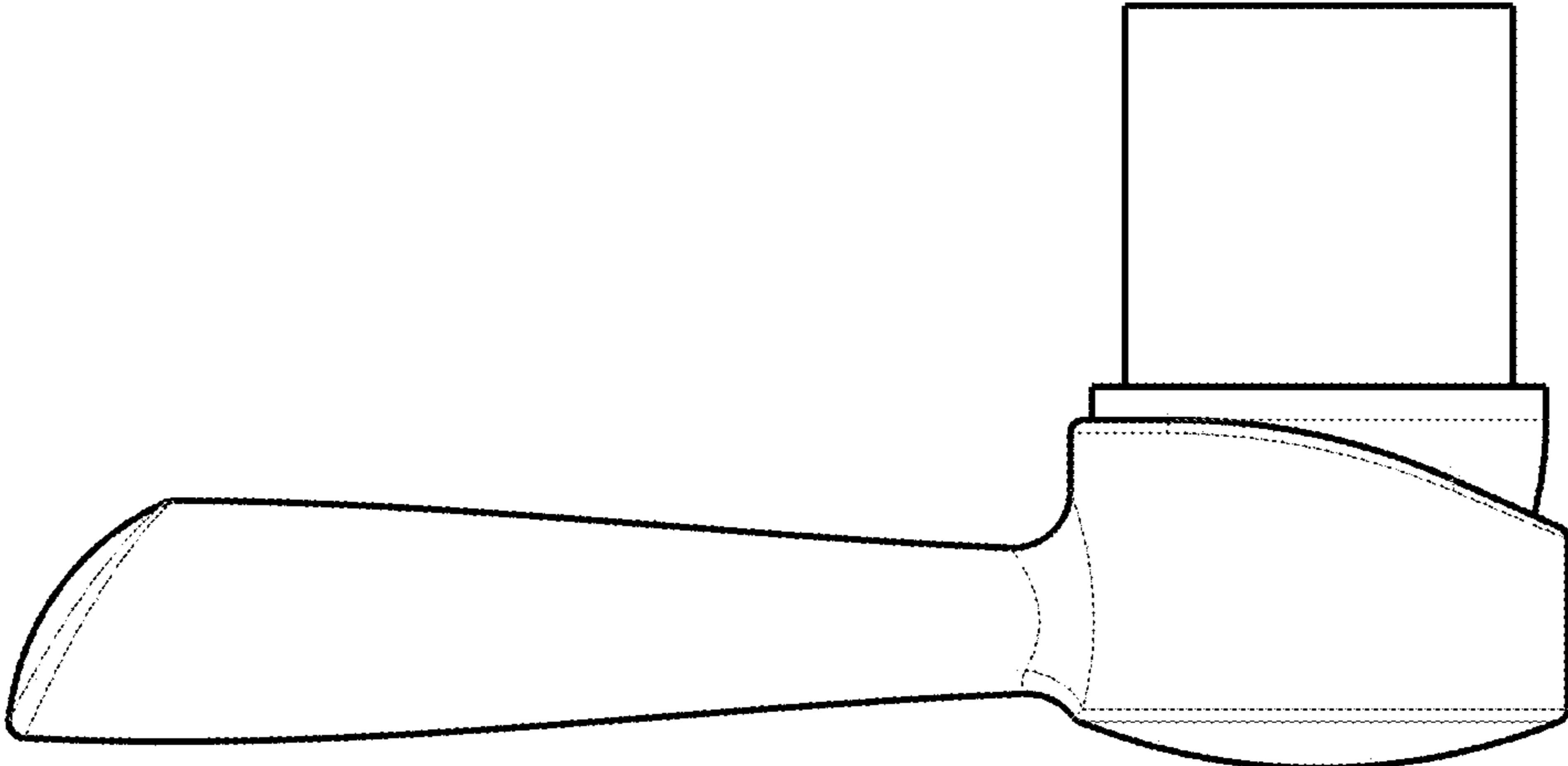


Fig. 5

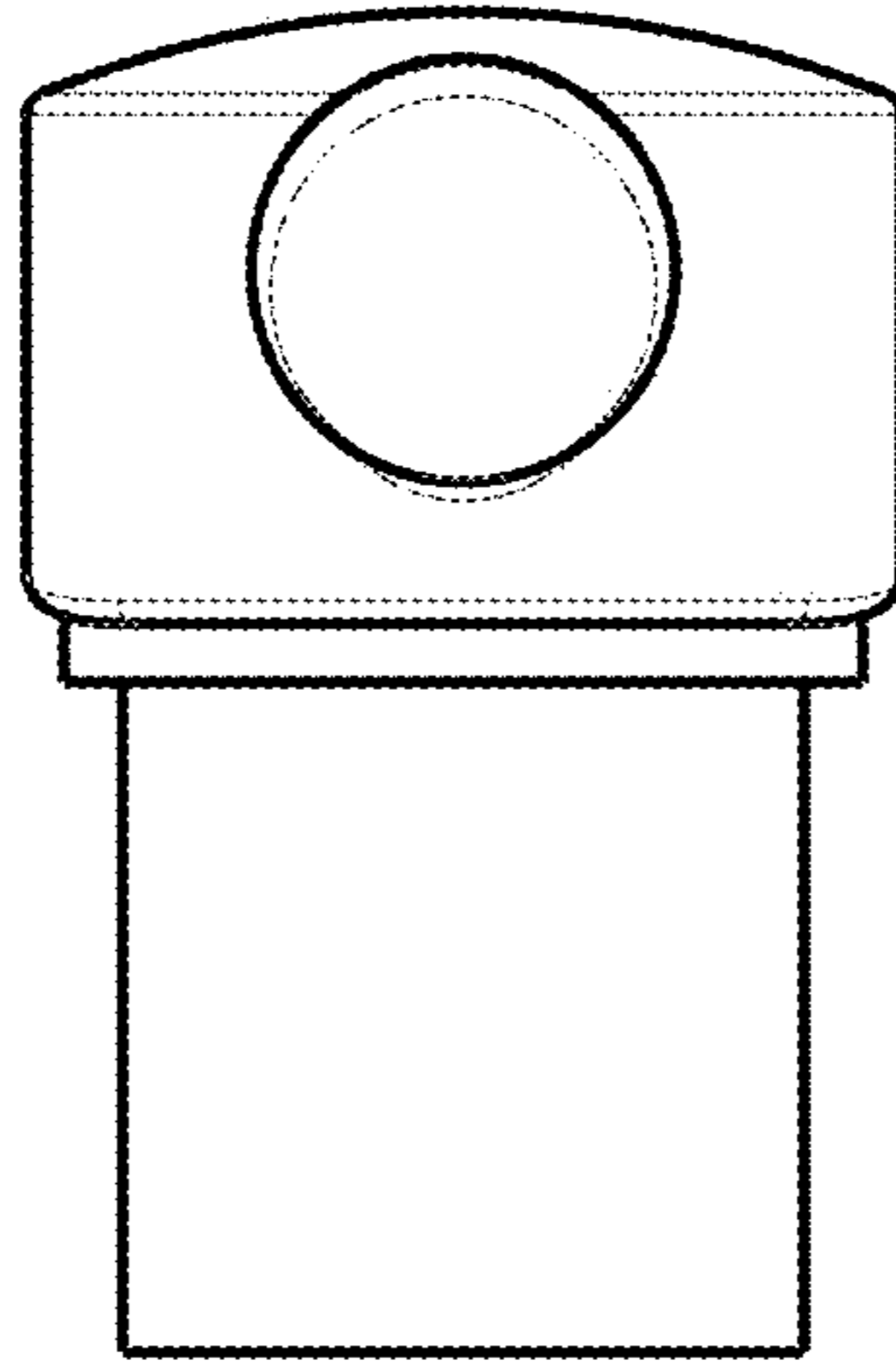


Fig. 7

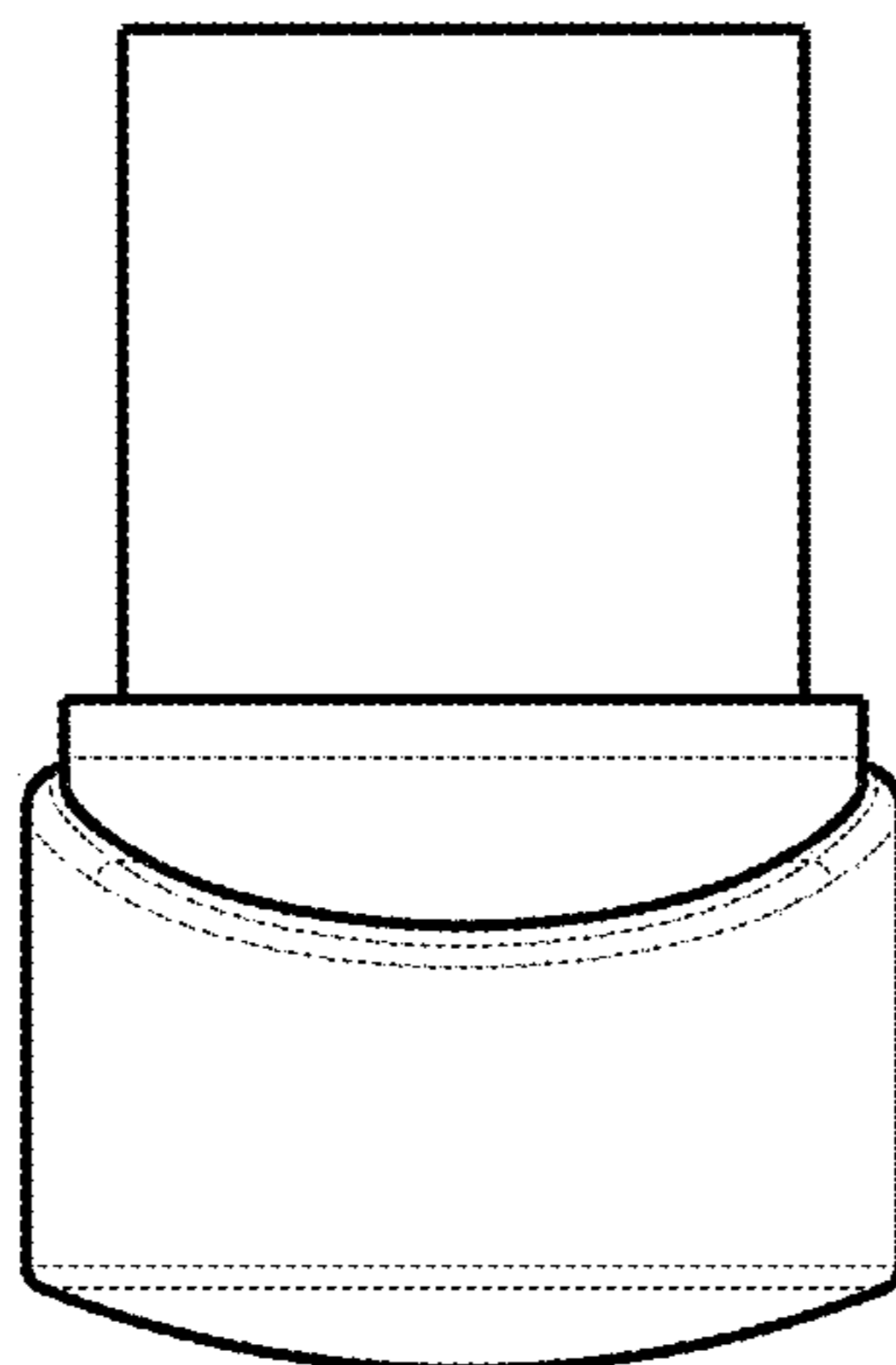


Fig. 8