



US00D870243S

(12) **United States Design Patent**
Eads et al.

(10) **Patent No.:** **US D870,243 S**

(45) **Date of Patent:** **** Dec. 17, 2019**

(54) **FAUCET HANDLE**

(71) Applicant: **DELTA FAUCET COMPANY,**
Indianapolis, IN (US)

(72) Inventors: **Thad Eads,** Urbana, IN (US); **Michael Scot Rosko,** Greenwood, IN (US)

(73) Assignee: **DELTA FAUCET COMPANY,**
Indianapolis, IN (US)

(**) Term: **15 Years**

(21) Appl. No.: **29/638,136**

(22) Filed: **Feb. 24, 2018**

(51) **LOC (12) Cl.** **23-01**

(52) **U.S. Cl.**
USPC **D23/250**

(58) **Field of Classification Search**
USPC D23/238-243, 249, 250-255, 257, 309;
D8/300, 307, 308
CPC Y10T 137/9464; E03C 1/04; E03C 1/0412
See application file for complete search history.

(56) **References Cited**

U.S. PATENT DOCUMENTS

D287,164 S * 12/1986 Piesco D23/252
D287,271 S * 12/1986 Piesco D23/255

D318,907 S * 8/1991 Kohler, Jr. D23/257
D444,855 S * 7/2001 Green D23/252
D607,545 S * 1/2010 Obara D23/255
D622,822 S * 8/2010 Obara D23/255
D632,369 S * 2/2011 Kulig D23/252
D648,828 S * 11/2011 Meyer D23/252
D741,984 S * 10/2015 Bahler D23/252

* cited by examiner

Primary Examiner — Sheryl Lane

Assistant Examiner — Samantha N Wood

(74) *Attorney, Agent, or Firm* — Edgar A. Zarins; Nirav D. Parikh

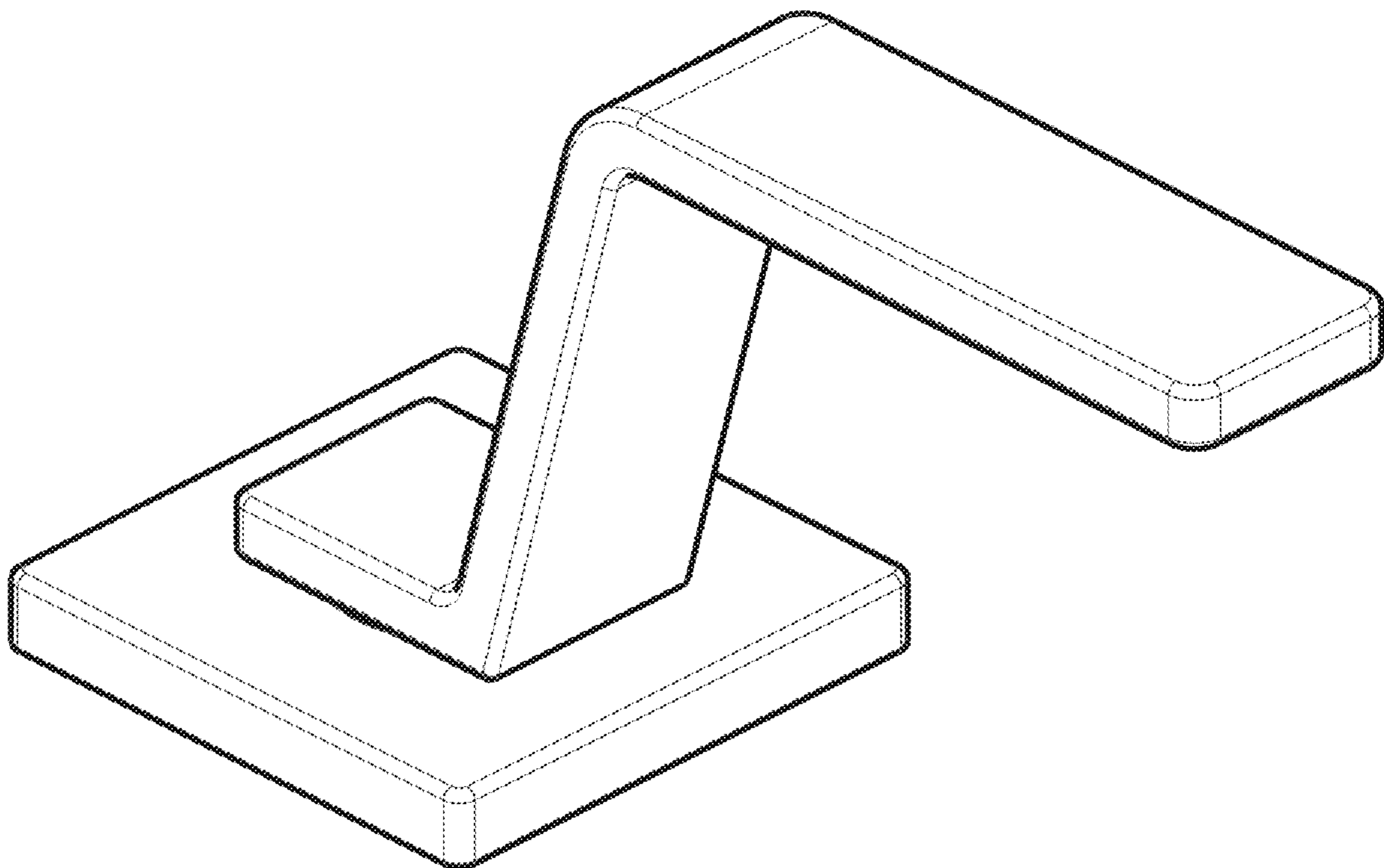
(57) **CLAIM**

The ornamental design for a faucet handle, as shown and described.

DESCRIPTION

FIG. 1 is a first perspective view of a faucet handle showing our new design;
FIG. 2 is a second perspective view thereof;
FIG. 3 is a front view thereof;
FIG. 4 is a left side view thereof;
FIG. 5 is a rear view thereof;
FIG. 6 is a right side view thereof; and,
FIG. 7 is a top plan view thereof.

1 Claim, 4 Drawing Sheets



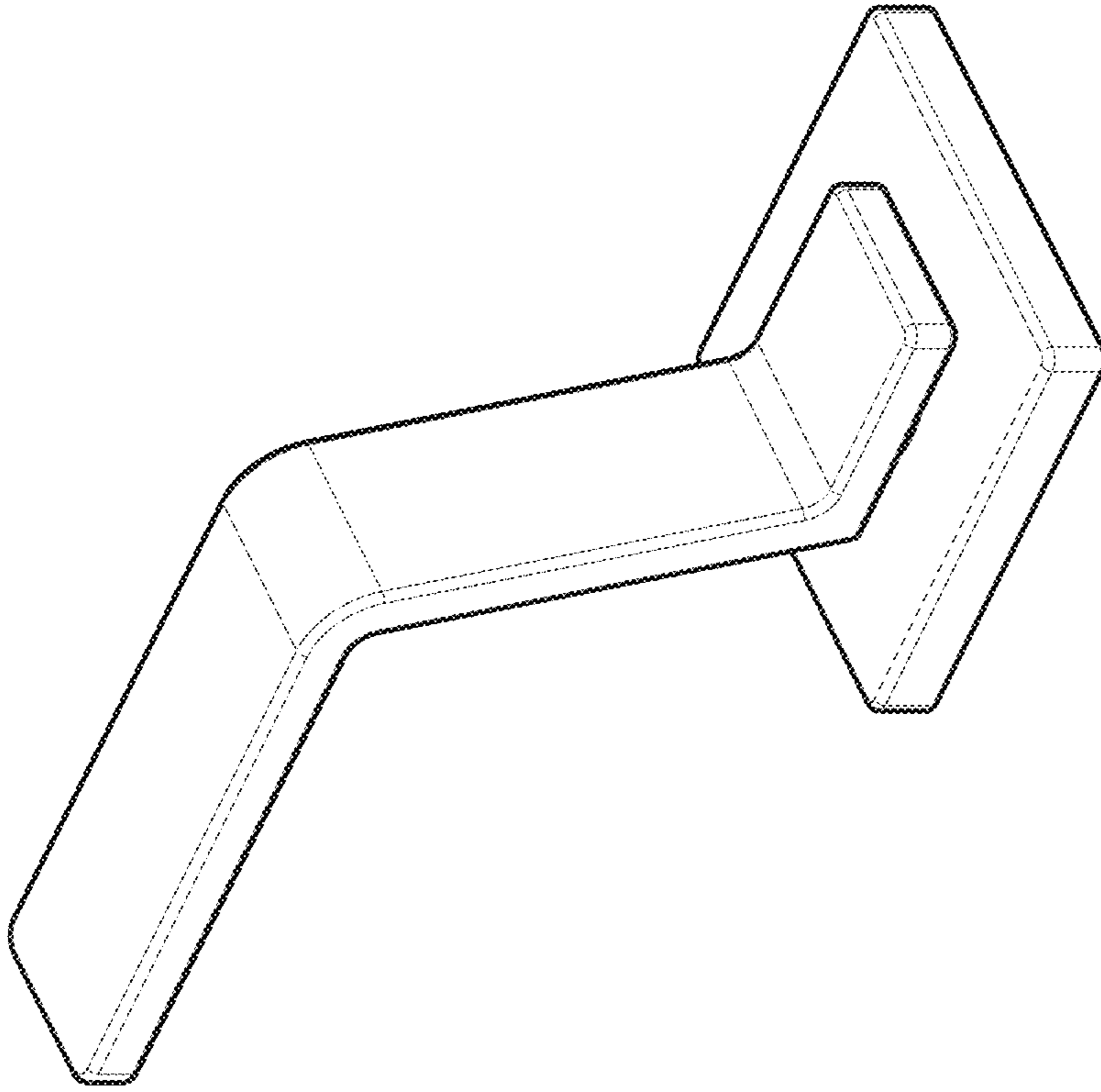


Fig. 2

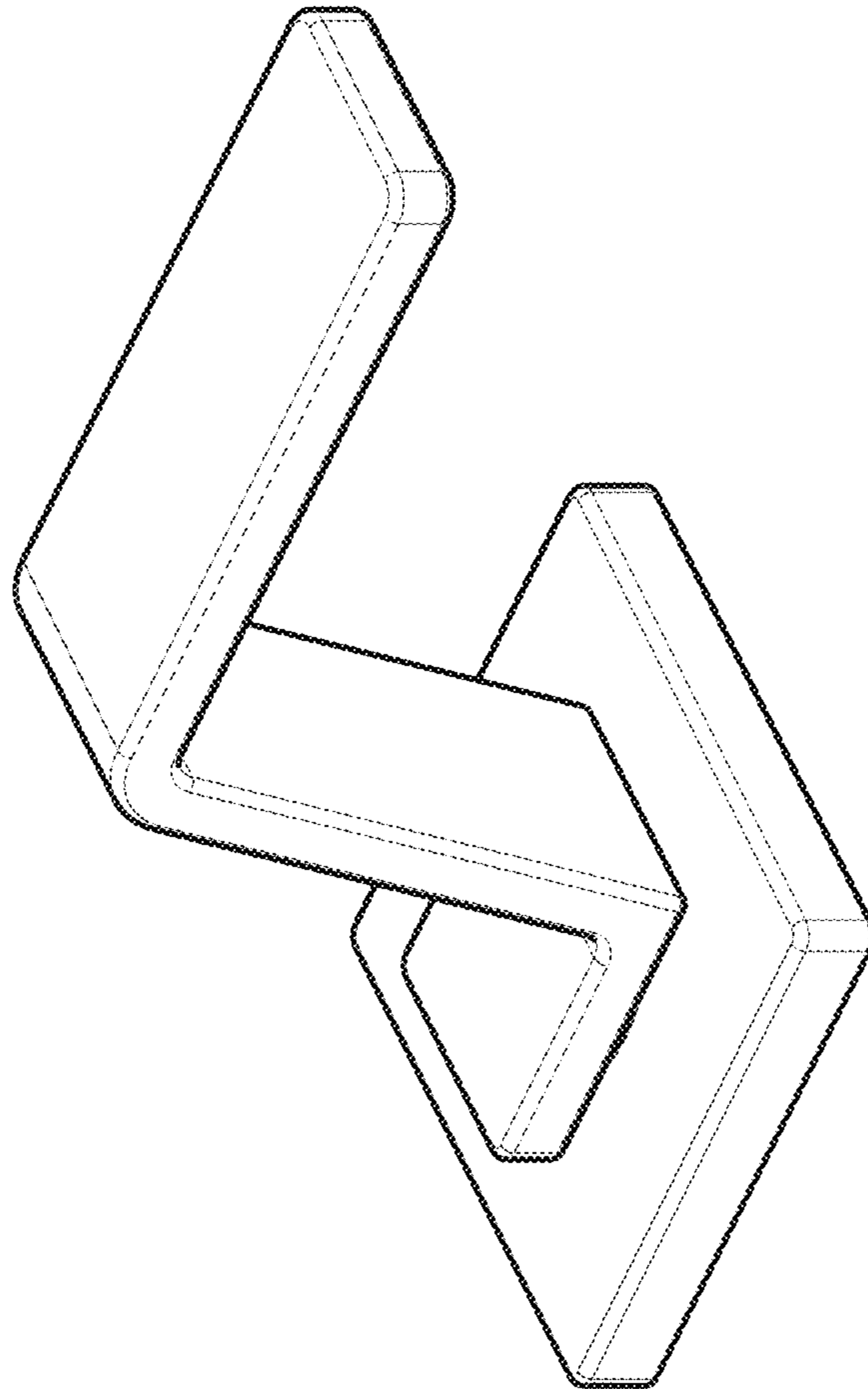


Fig. 1

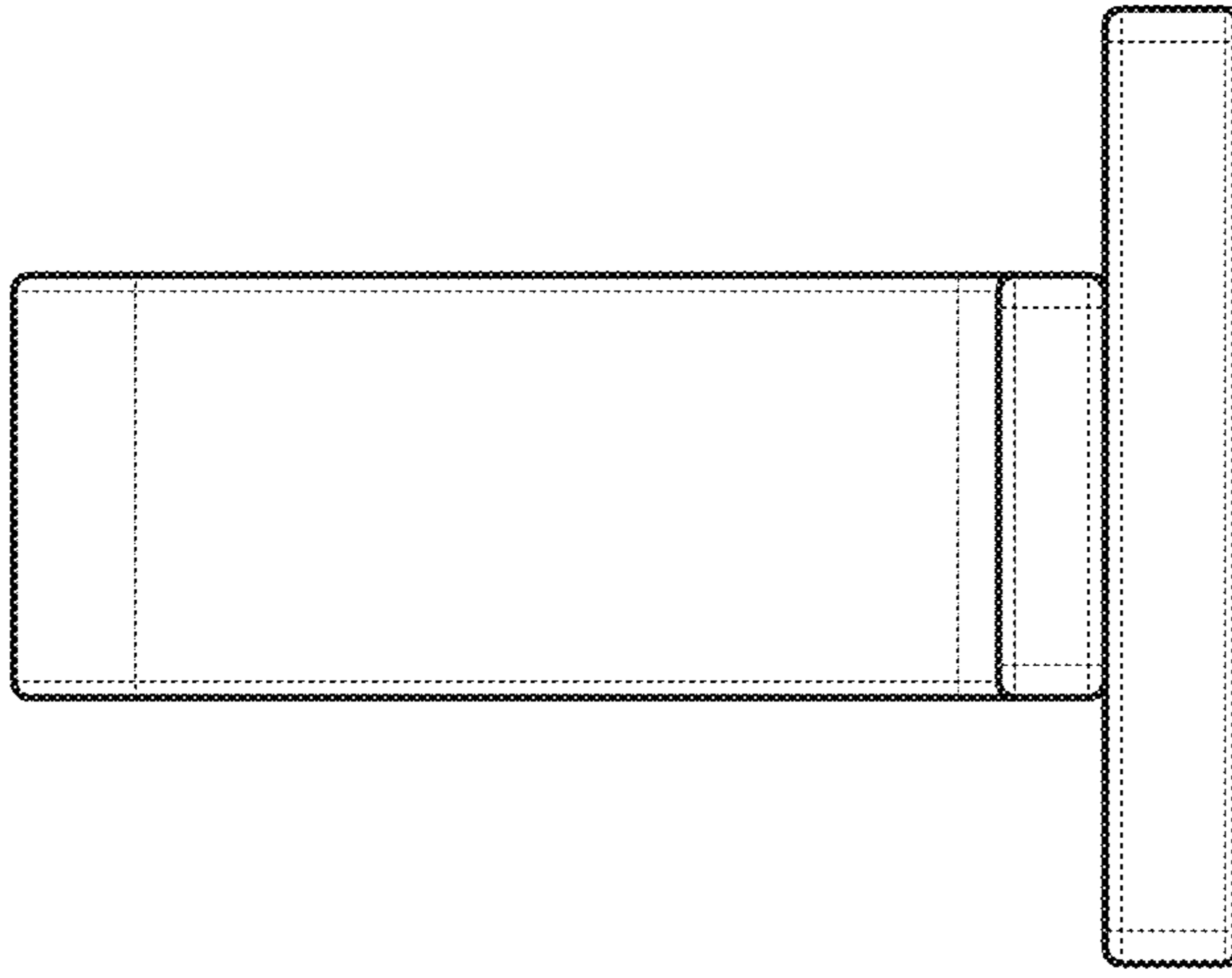


Fig. 4

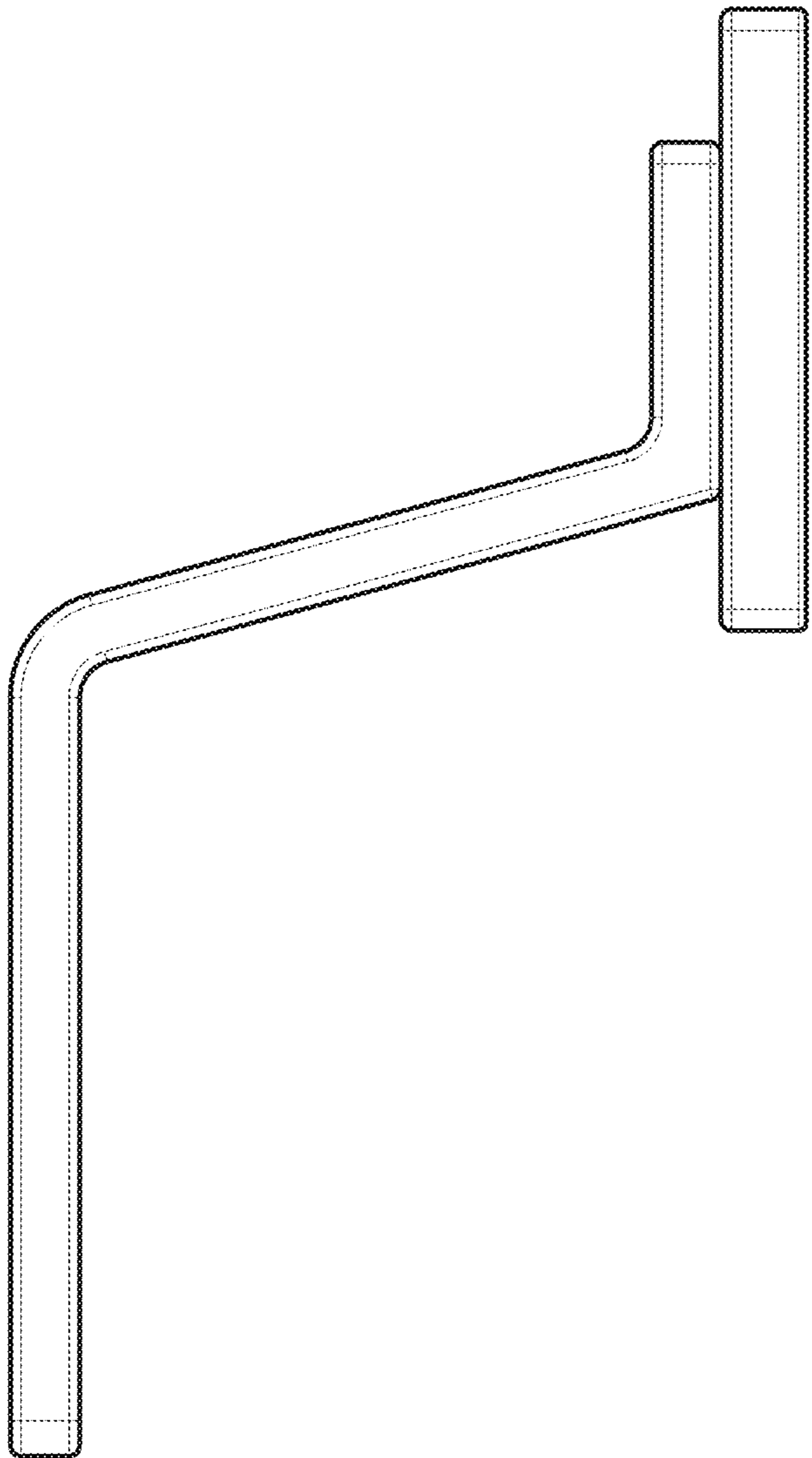


Fig. 3

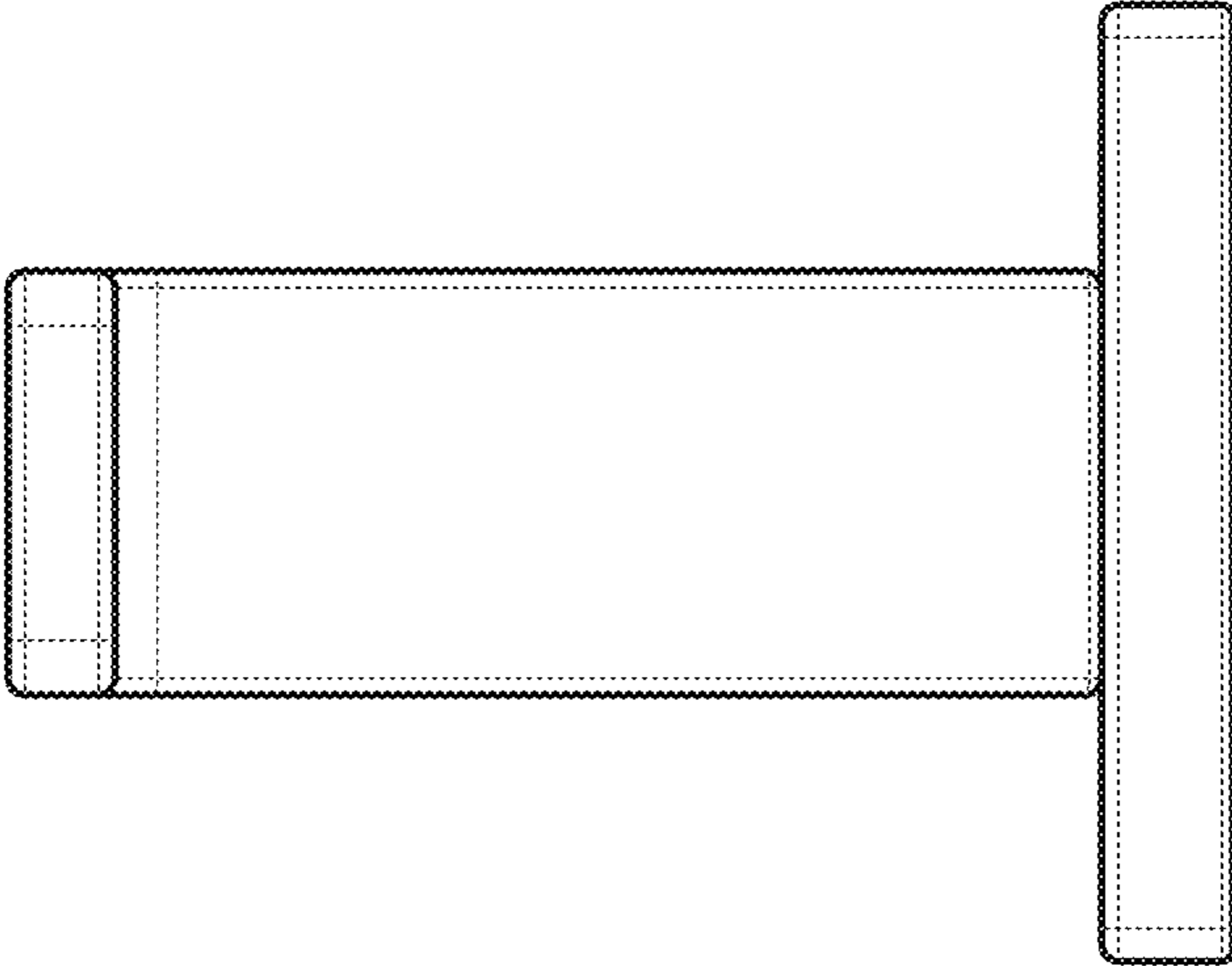


Fig. 6

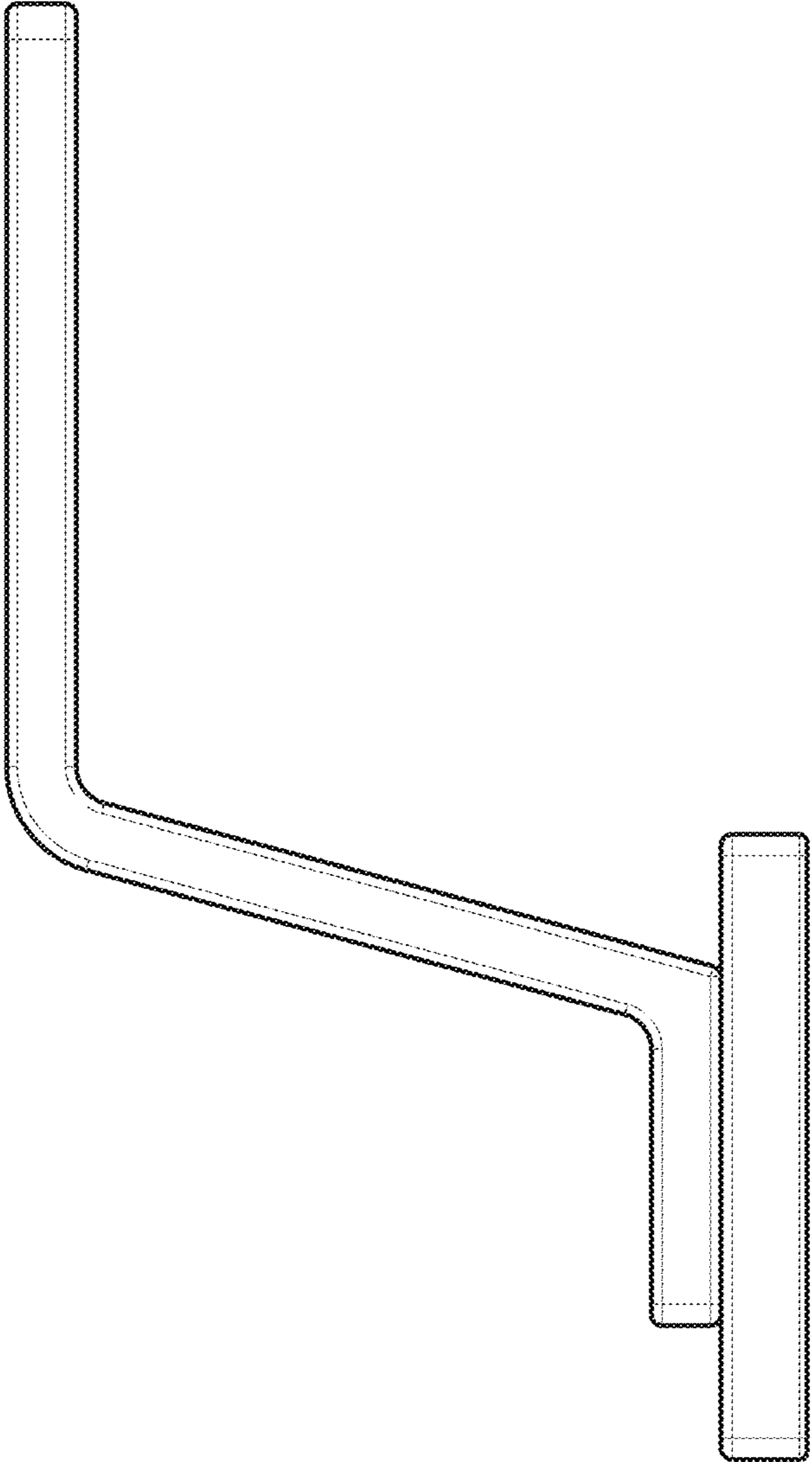


Fig. 5

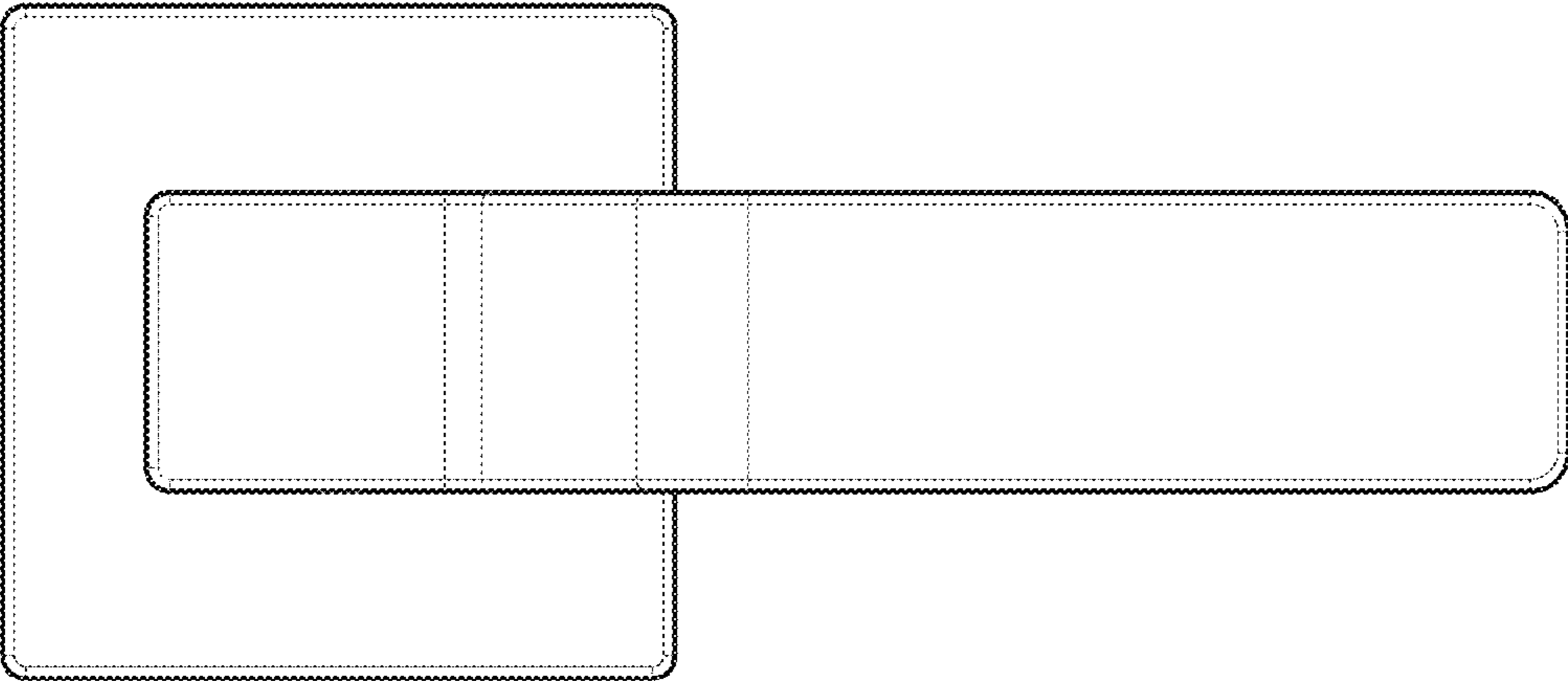


Fig. 7