



US00D870241S

(12) **United States Design Patent**  
**Eads**

(10) **Patent No.:** **US D870,241 S**

(45) **Date of Patent:** **\*\* Dec. 17, 2019**

(54) **FAUCET**

(71) Applicant: **DELTA FAUCET COMPANY,**  
Indianapolis, IN (US)

(72) Inventor: **Thad Eads,** Urbana, IN (US)

(73) Assignee: **DELTA FAUCET COMPANY,**  
Indianapolis, IN (US)

(\*\*) Term: **15 Years**

(21) Appl. No.: **29/637,963**

(22) Filed: **Feb. 23, 2018**

(51) **LOC (12) Cl.** ..... **23-01**

(52) **U.S. Cl.**  
USPC ..... **D23/238**

(58) **Field of Classification Search**  
USPC ..... D23/238, 241–243, 255, 257, 253–254;  
D8/307–308  
CPC ..... F16K 31/60; F16K 31/602; F16K 31/605;  
F16K 31/607; E03C 1/0412  
See application file for complete search history.

(56) **References Cited**

**U.S. PATENT DOCUMENTS**

D75,863 S \* 7/1928 Nicholas ..... D23/253  
D213,193 S \* 1/1969 Kurt et al. .... D23/241

D515,664 S \* 2/2006 Ng ..... D23/238  
D518,558 S \* 4/2006 Soriano ..... D23/255  
D581,025 S \* 11/2008 Schonherr ..... D23/255  
D751,180 S \* 3/2016 Rexach ..... D23/255  
D827,105 S \* 8/2018 Garland ..... D23/254

\* cited by examiner

*Primary Examiner* — Robert A Delehanty

(74) *Attorney, Agent, or Firm* — Edgar A. Zarins; Nirav D. Parikh

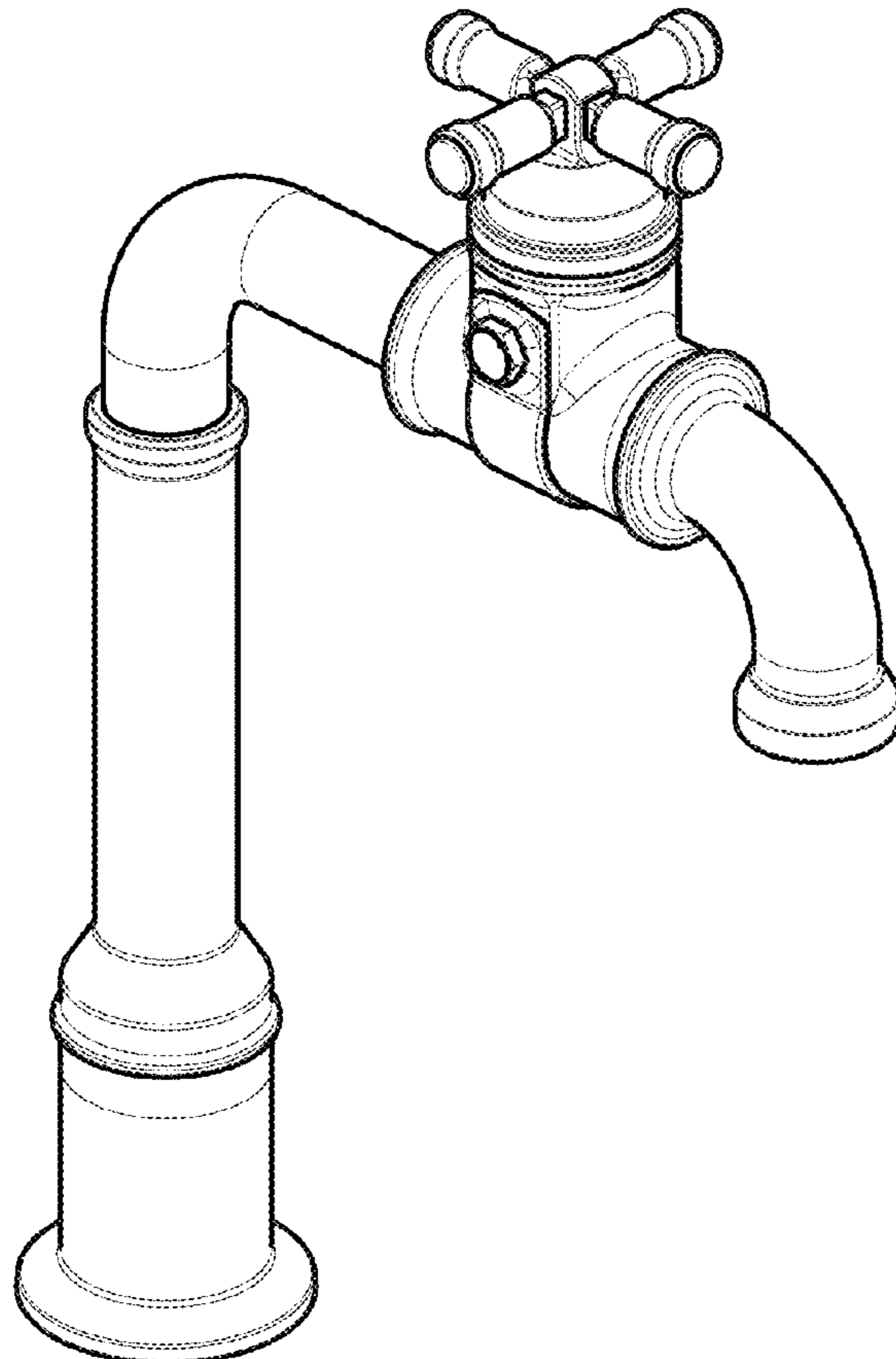
(57) **CLAIM**

The ornamental design for a faucet, as shown and described.

**DESCRIPTION**

FIG. 1 is a front perspective view of a faucet showing my new design;  
FIG. 2 is a rear perspective view thereof;  
FIG. 3 is a front elevational view thereof;  
FIG. 4 is a left side view thereof;  
FIG. 5 is a rear view thereof;  
FIG. 6 is a right side view thereof; and,  
FIG. 7 is a top plan view thereof.

**1 Claim, 4 Drawing Sheets**



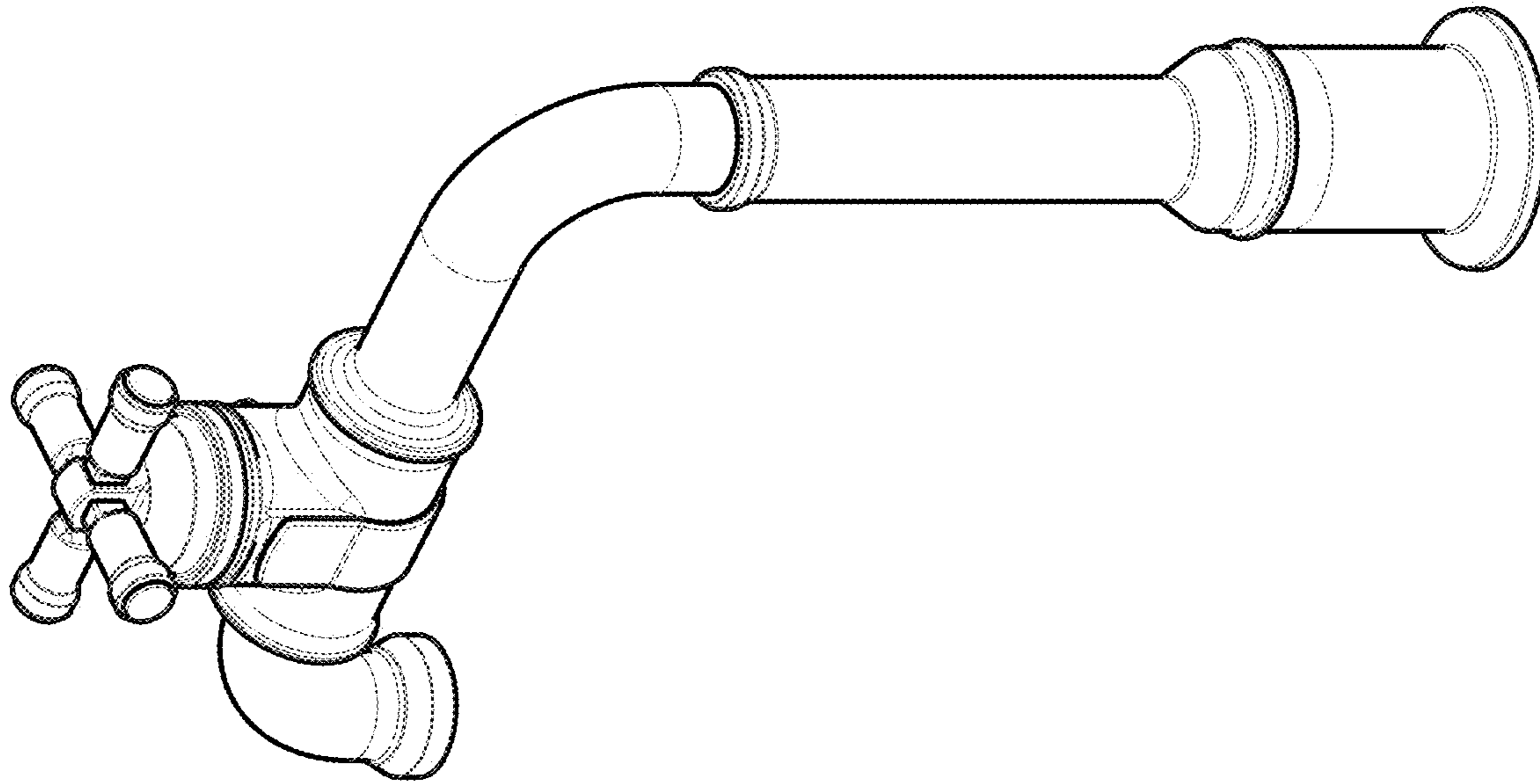


Fig. 2

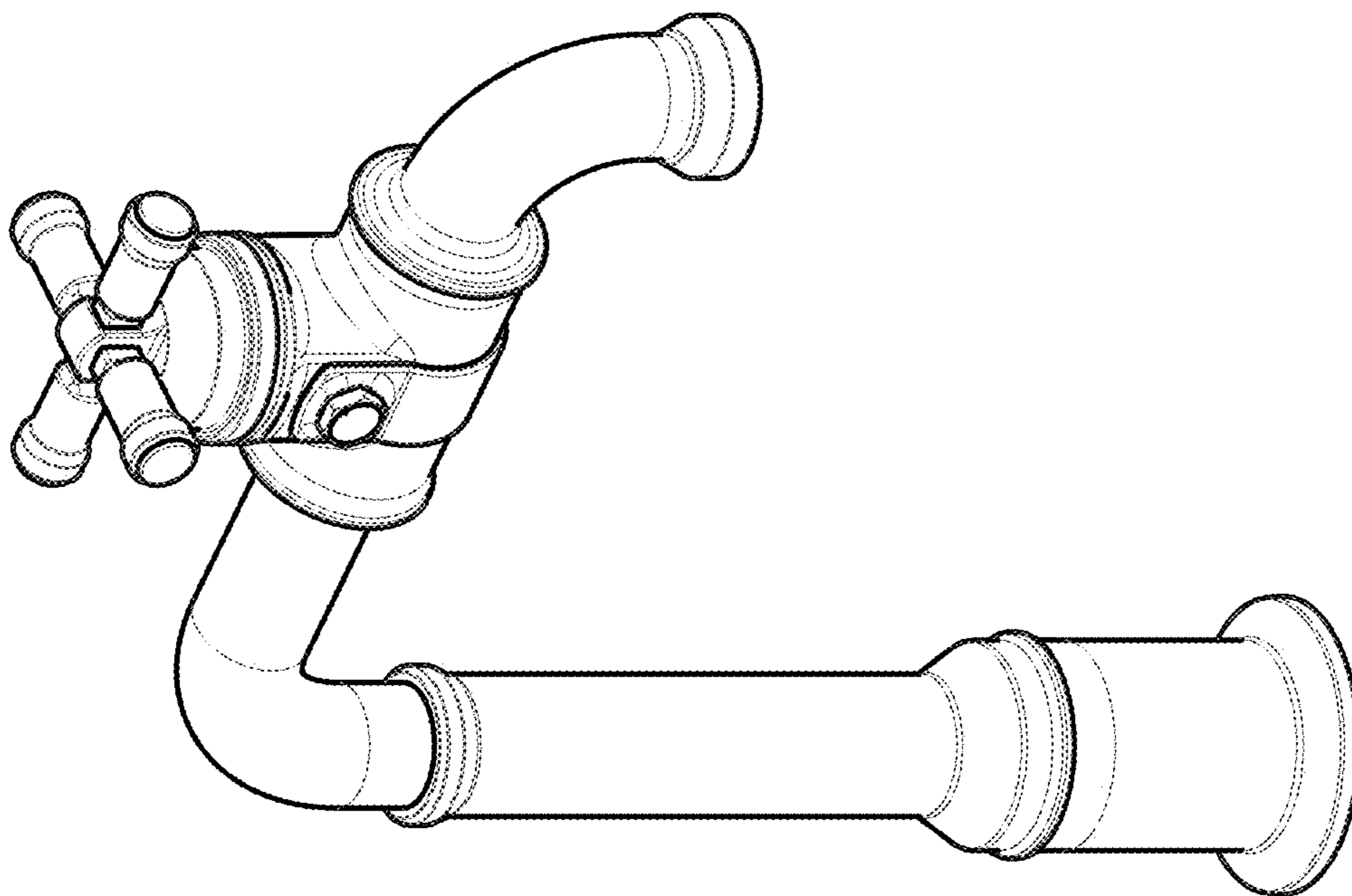


Fig. 1

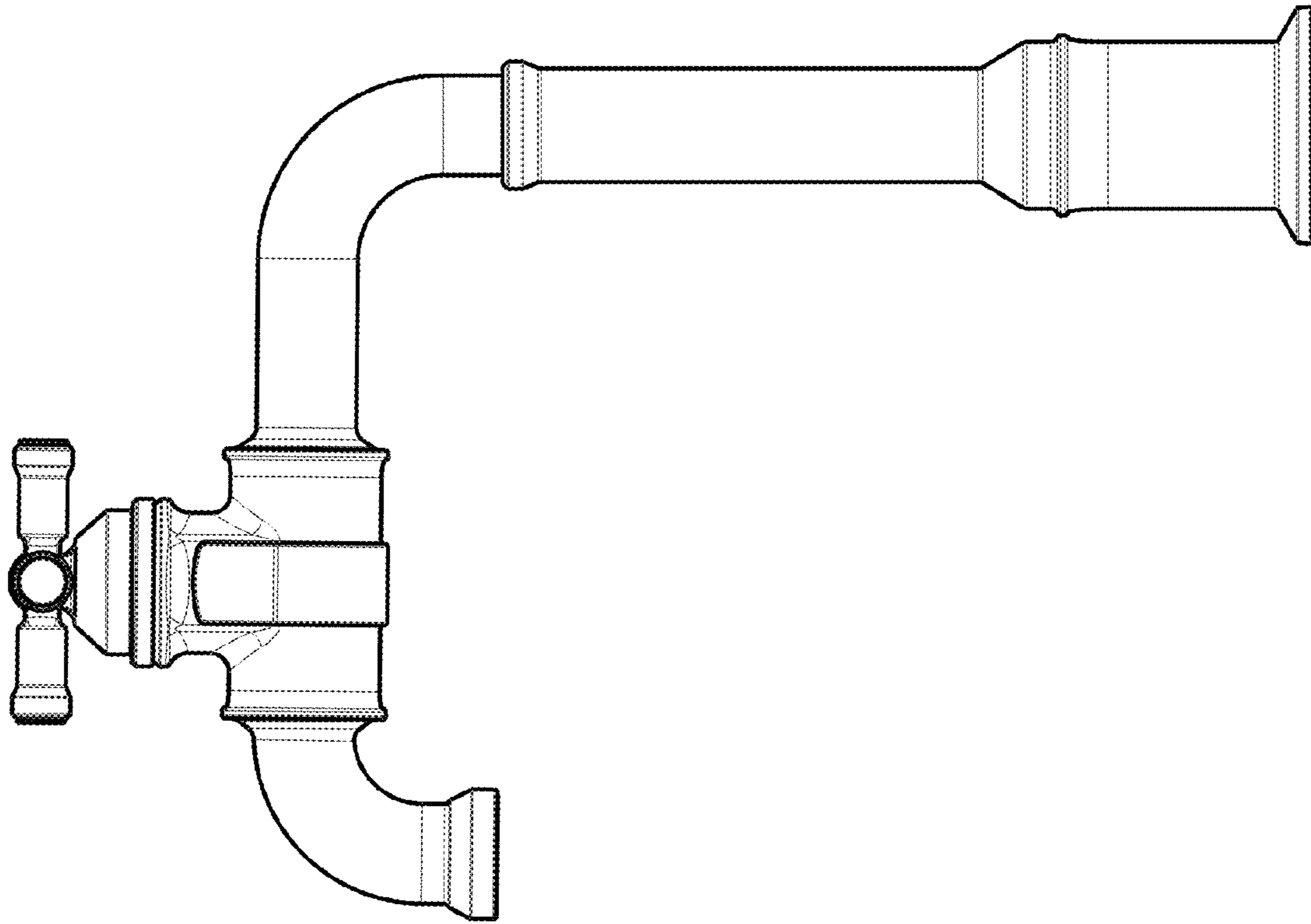


Fig. 3

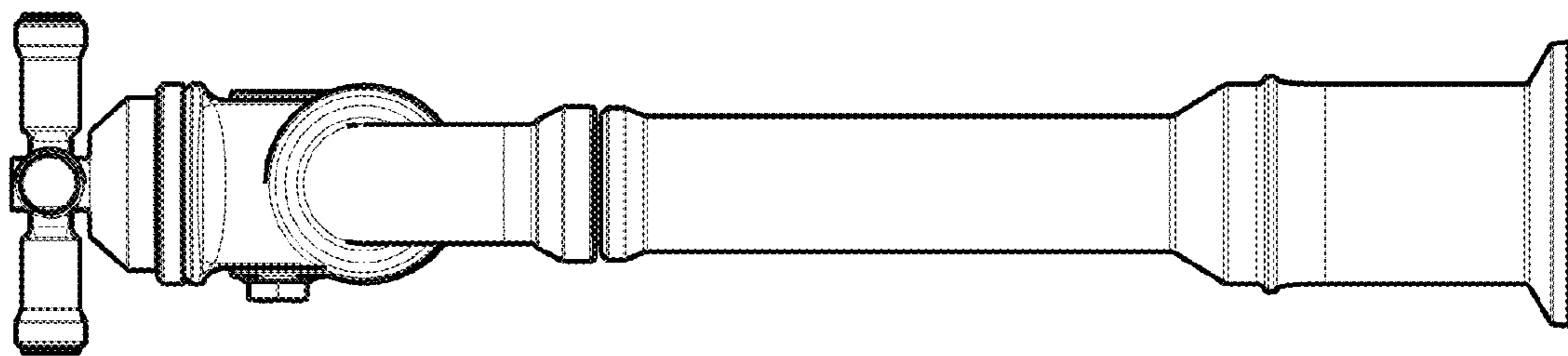


Fig. 4

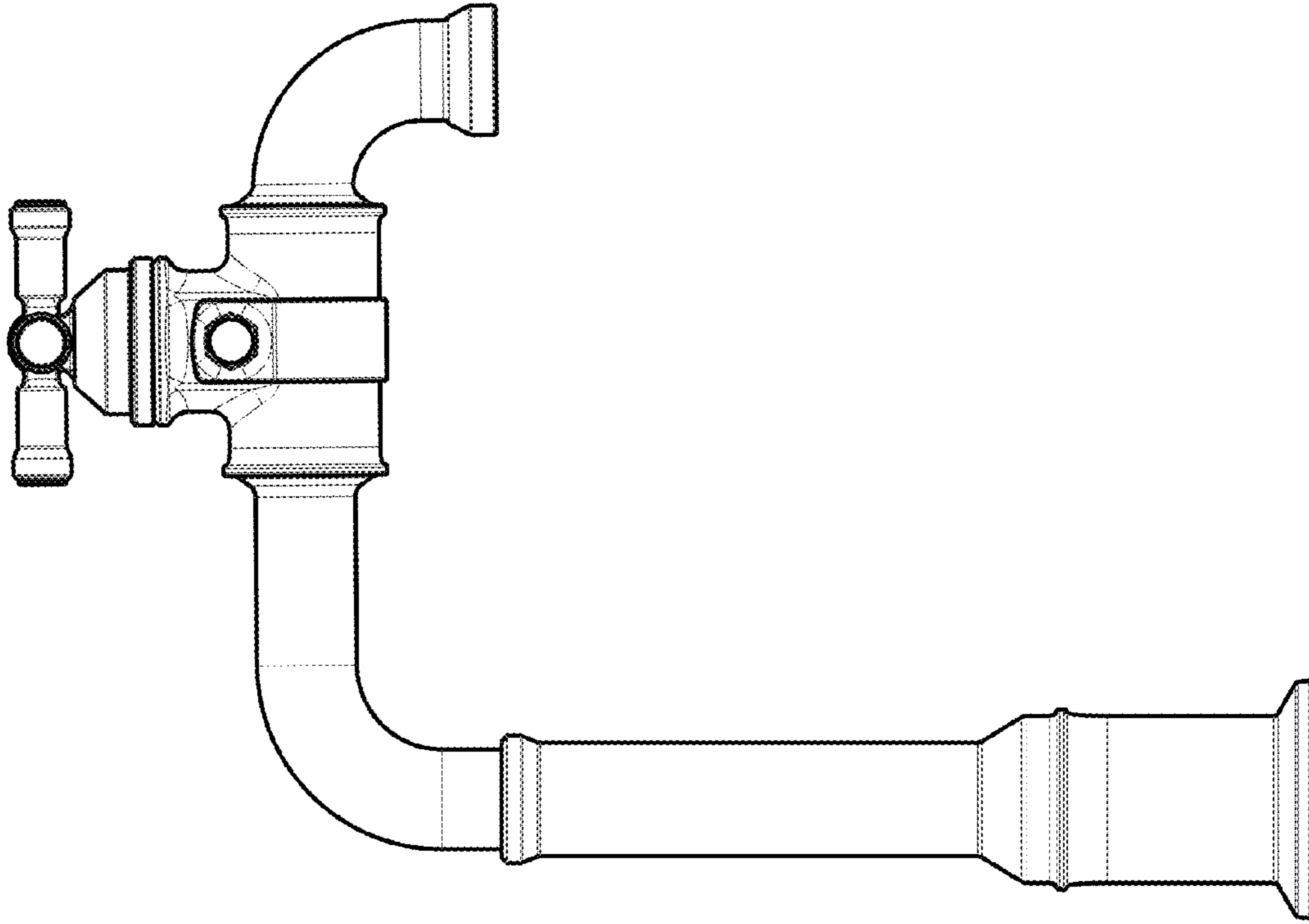


Fig. 6

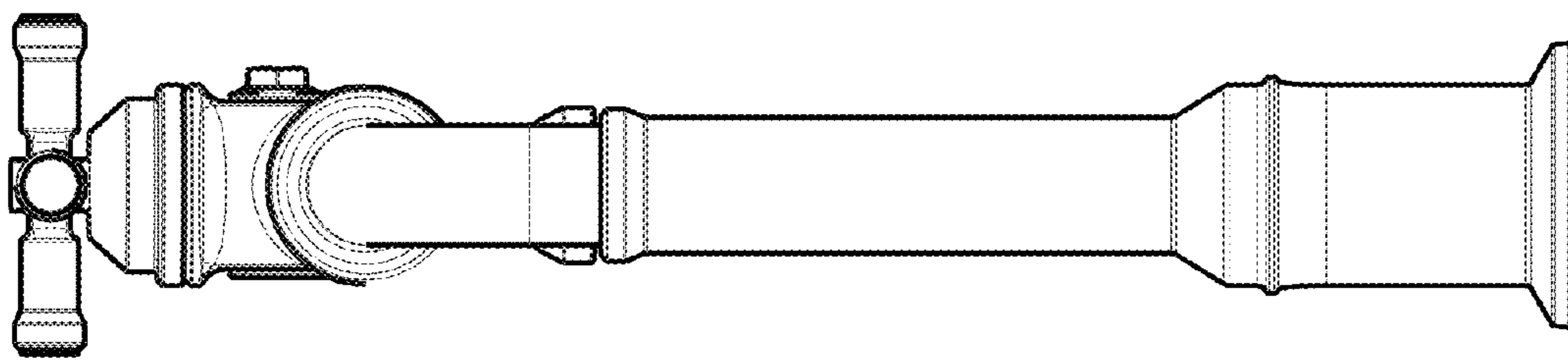


Fig. 5

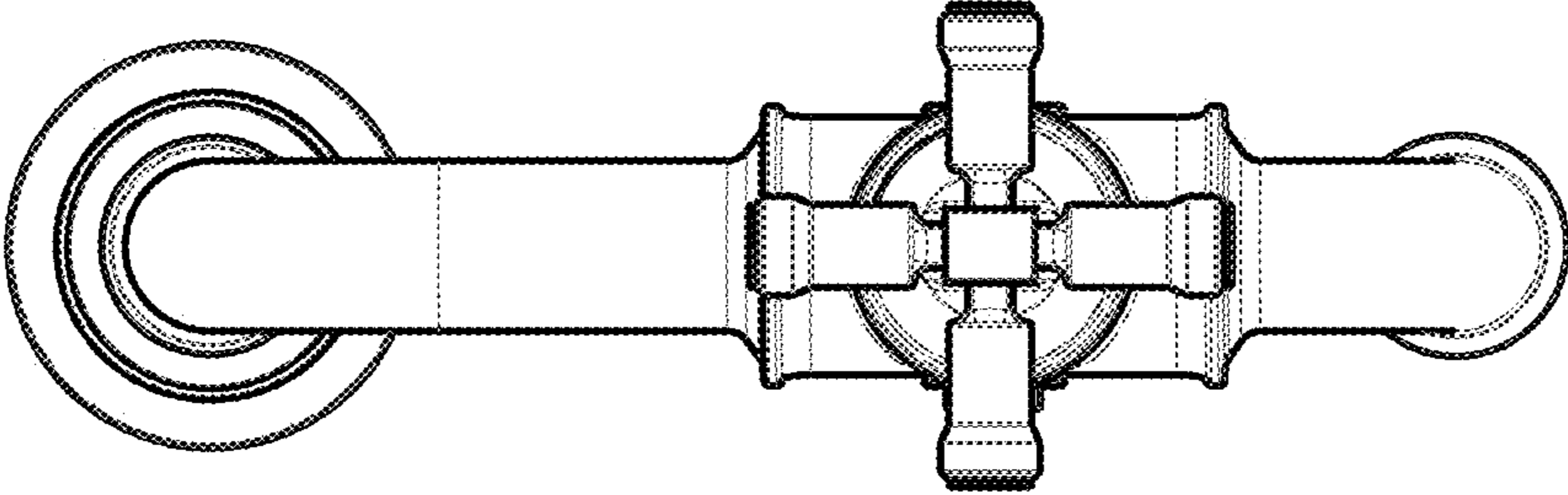


Fig. 7