



US00D870234S

(12) **United States Design Patent** (10) **Patent No.:** **US D870,234 S**
Judge (45) **Date of Patent:** **** Dec. 17, 2019**

(54) **FAUCET SPRAYHEAD**
(71) Applicant: **DELTA FAUCET COMPANY,**
Indianapolis, IN (US)
(72) Inventor: **Jack William Judge,** Indianapolis, IN
(US)
(73) Assignee: **DELTA FAUCET COMPANY,**
Indianapolis, IN (US)
(**) Term: **15 Years**
(21) Appl. No.: **29/638,267**
(22) Filed: **Feb. 26, 2018**
(51) **LOC (12) Cl.** **23-01**
(52) **U.S. Cl.**
USPC **D23/213**
(58) **Field of Classification Search**
USPC D23/213, 255, 257; 4/678
CPC E03C 1/0404; E03C 1/084; B05B 1/12;
B05B 1/169; B05B 1/185; B05B 1/1627;
B05B 1/16; B05B 1/30; B05B 1/1618
See application file for complete search history.

(56) **References Cited**

U.S. PATENT DOCUMENTS

D487,135 S * 2/2004 Lord D23/245
D519,190 S * 4/2006 Lord D23/238
D521,109 S * 5/2006 Lord D23/238
D522,614 S * 6/2006 Ko D23/213
D535,357 S * 1/2007 Zhou D23/238
D550,326 S * 9/2007 Huang D23/213
D557,380 S * 12/2007 Shieh D23/238
D580,023 S * 11/2008 Gilbert D23/255
D583,015 S * 12/2008 Soriano D23/249
D652,489 S * 1/2012 Bosio D23/255

D655,398 S * 3/2012 Bosio D23/255
D657,024 S * 4/2012 Bosio D23/255
D677,366 S * 3/2013 Chen D23/255
D701,942 S * 4/2014 Flowers D23/213
D713,508 S * 9/2014 Downey D23/238
D719,242 S * 12/2014 Kim D23/255
D736,898 S * 8/2015 Garland D23/238
D747,442 S * 1/2016 Mazz D23/238
D754,301 S * 4/2016 Bahler D23/255
D758,552 S * 6/2016 Rexach D23/255
D797,240 S * 9/2017 Potter D23/238
D797,257 S * 9/2017 Potter D23/255
D802,091 S * 11/2017 Bahler D23/213
D805,611 S * 12/2017 Rexach D23/257
D807,989 S * 1/2018 Kaule D23/213
D842,429 S * 3/2019 Huang D23/213
D842,430 S * 3/2019 Huang D23/213
D845,439 S * 4/2019 Zhang D23/238

* cited by examiner

Primary Examiner — Kevin K Rudzinski

(74) *Attorney, Agent, or Firm* — Edgar A. Zarins; Nirav D. Parikh

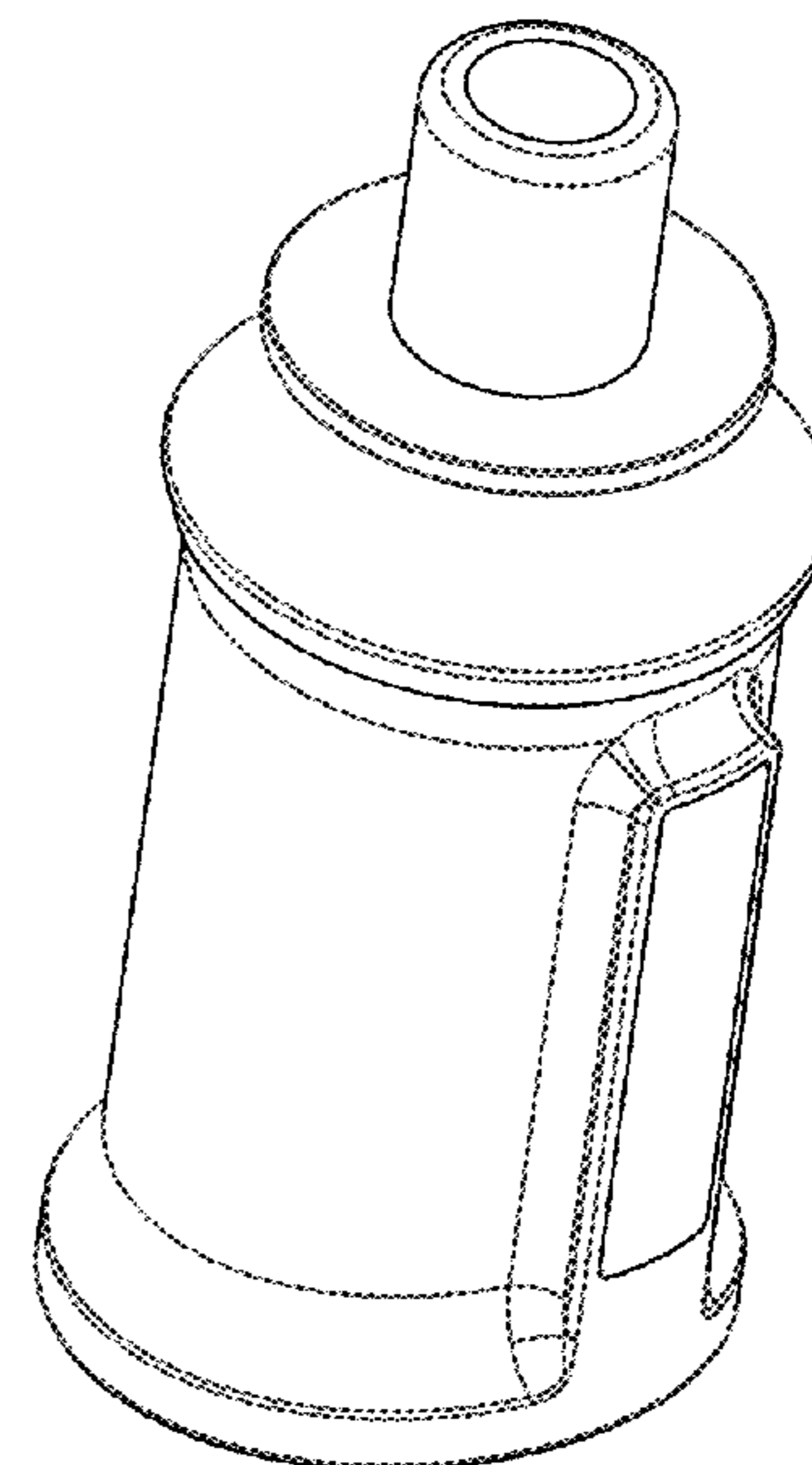
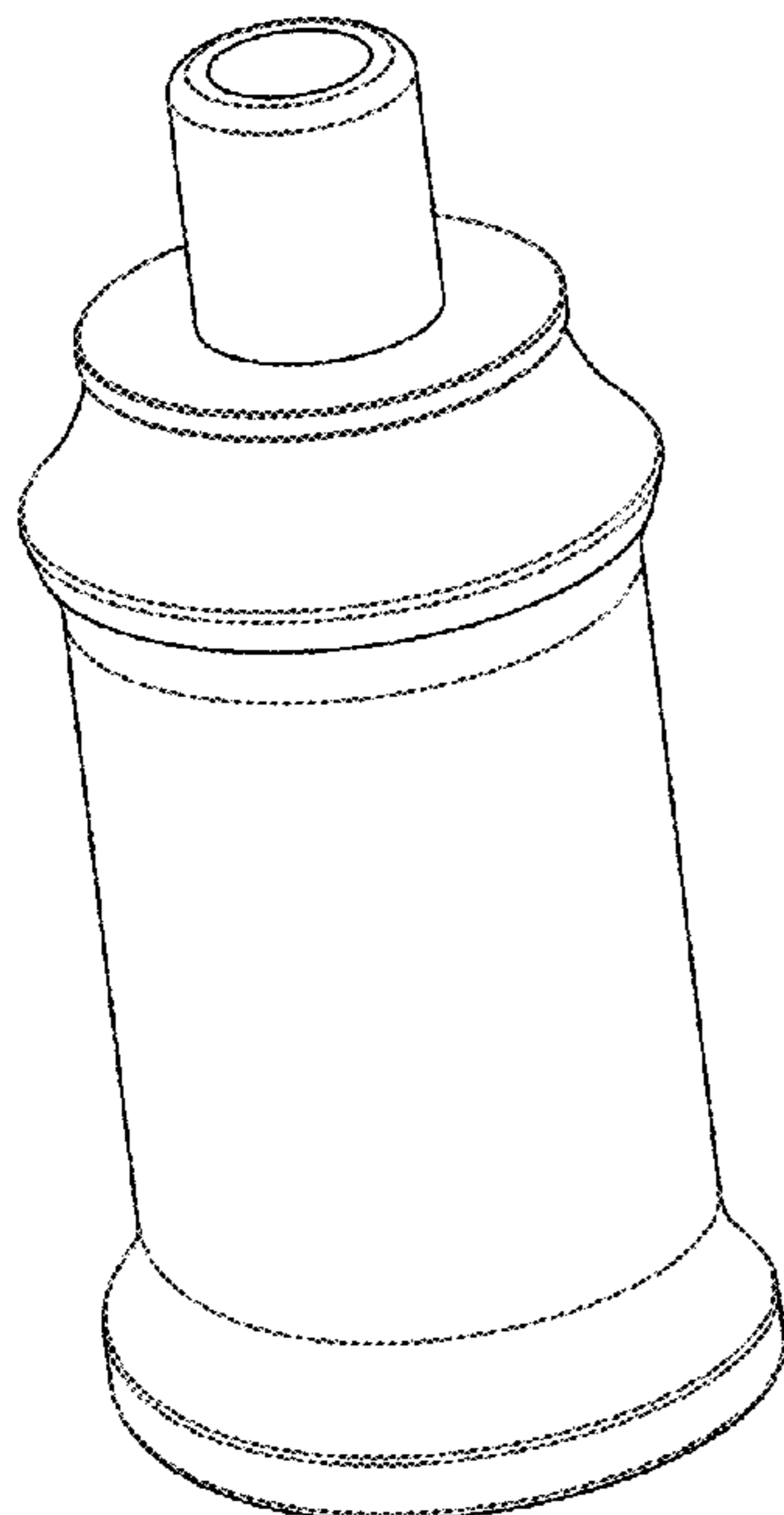
(57) **CLAIM**

The ornamental design for a faucet sprayhead, as shown and described.

DESCRIPTION

FIG. 1 is a first perspective view of a faucet sprayhead showing my new design;
FIG. 2 is a second perspective view thereof;
FIG. 3 is a front elevational view thereof;
FIG. 4 is a left side view thereof;
FIG. 5 is a rear view thereof;
FIG. 6 is a right side view thereof;
FIG. 7 is a top plan view thereof; and,
FIG. 8 is a bottom view thereof.

1 Claim, 4 Drawing Sheets



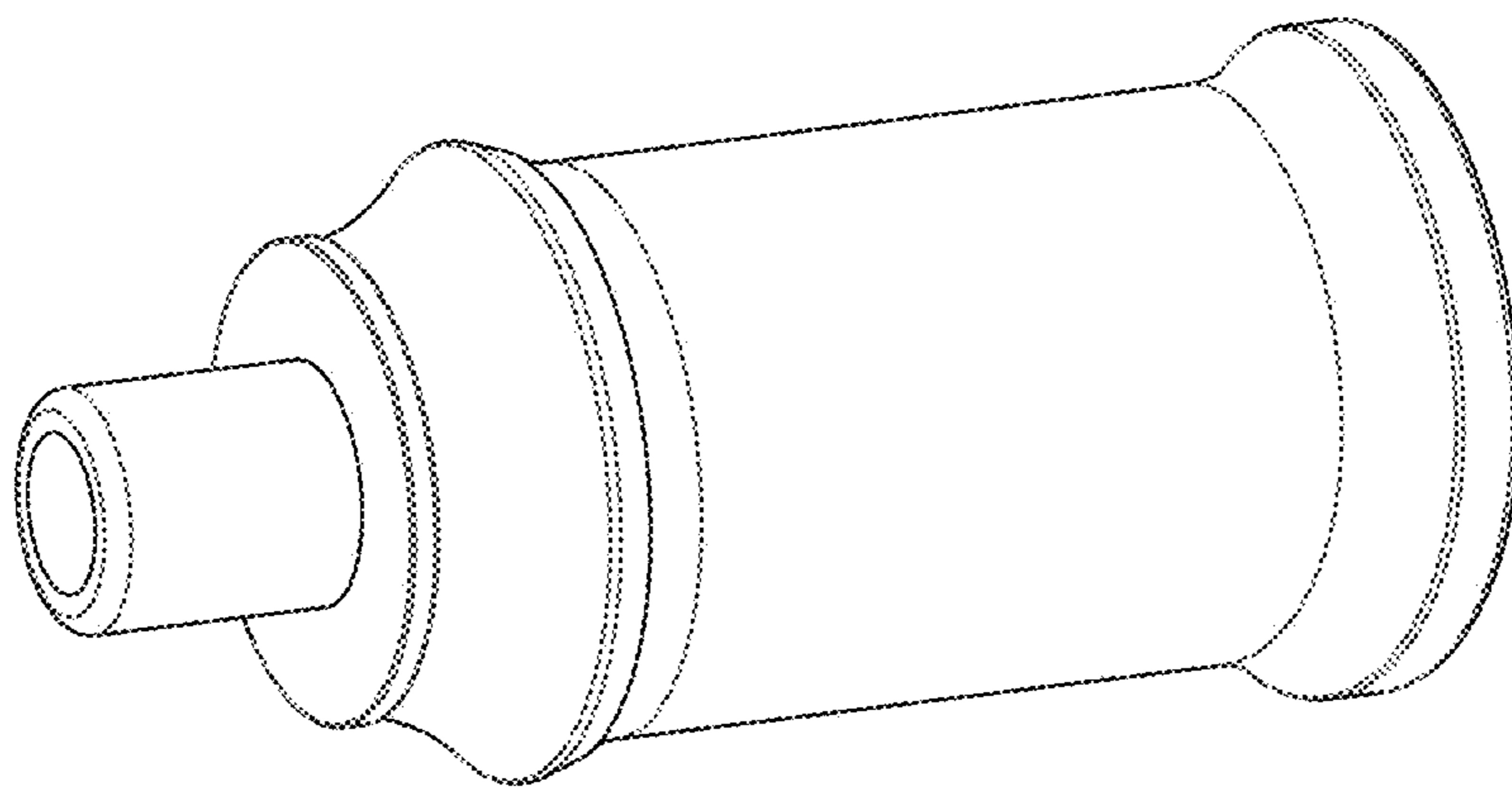


Fig. 1

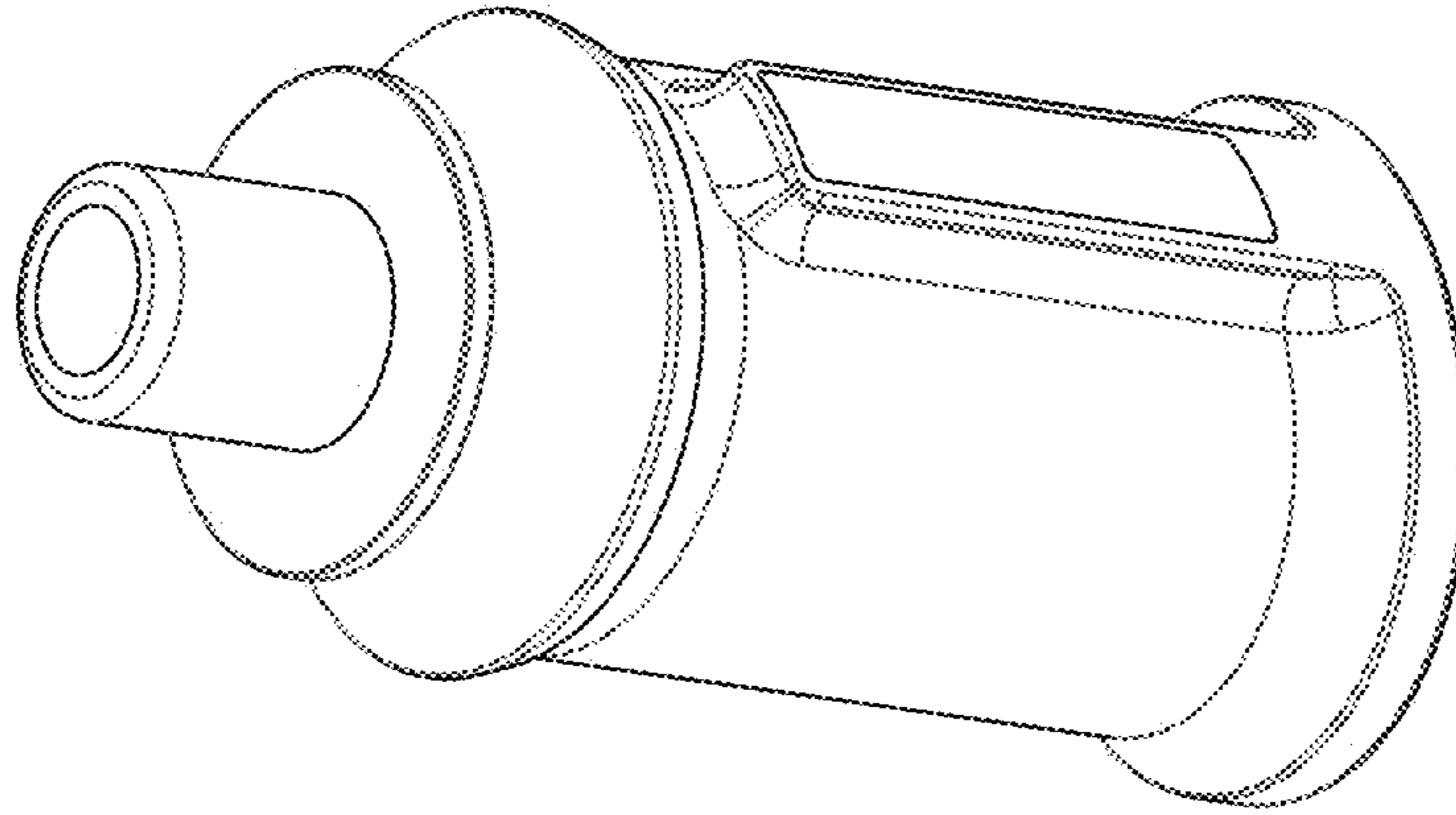


Fig. 2

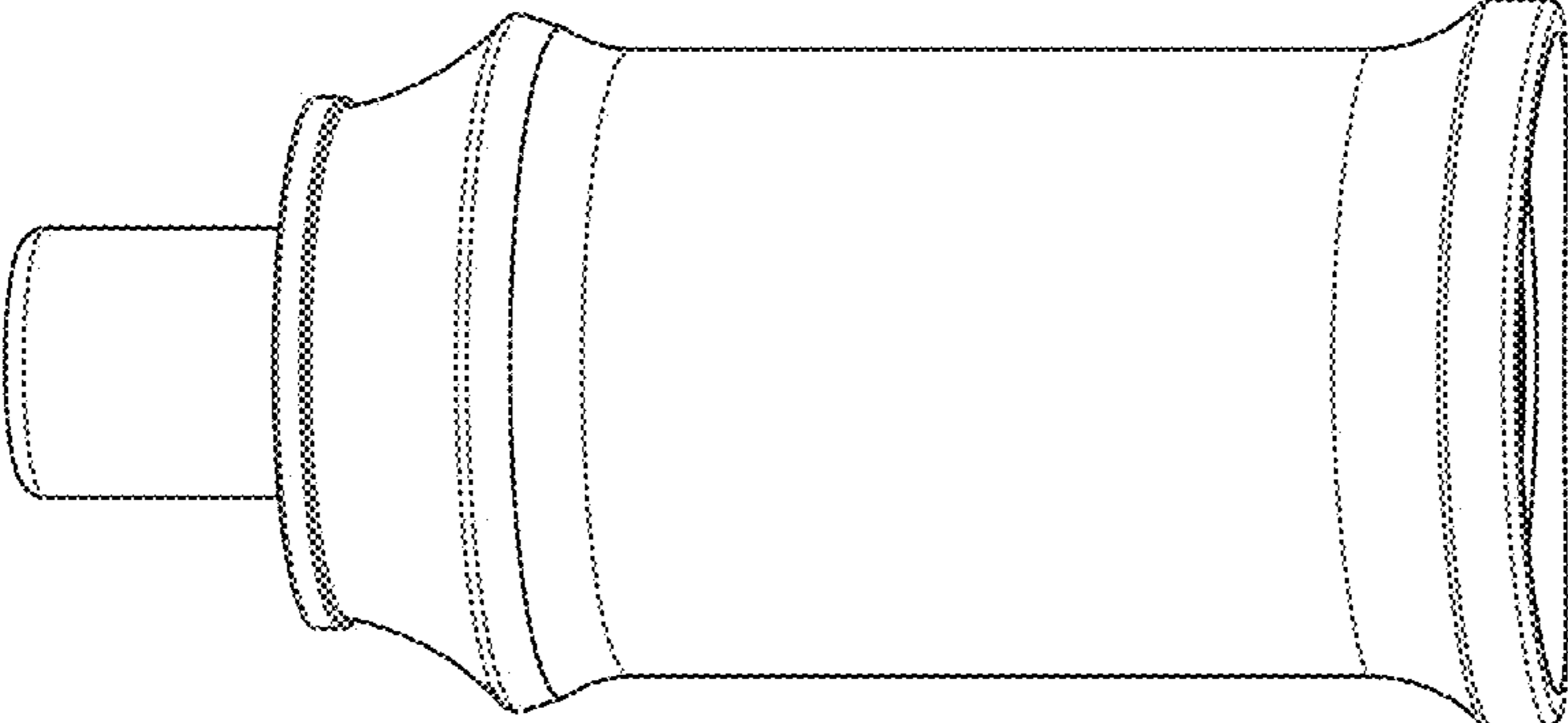


Fig. 4

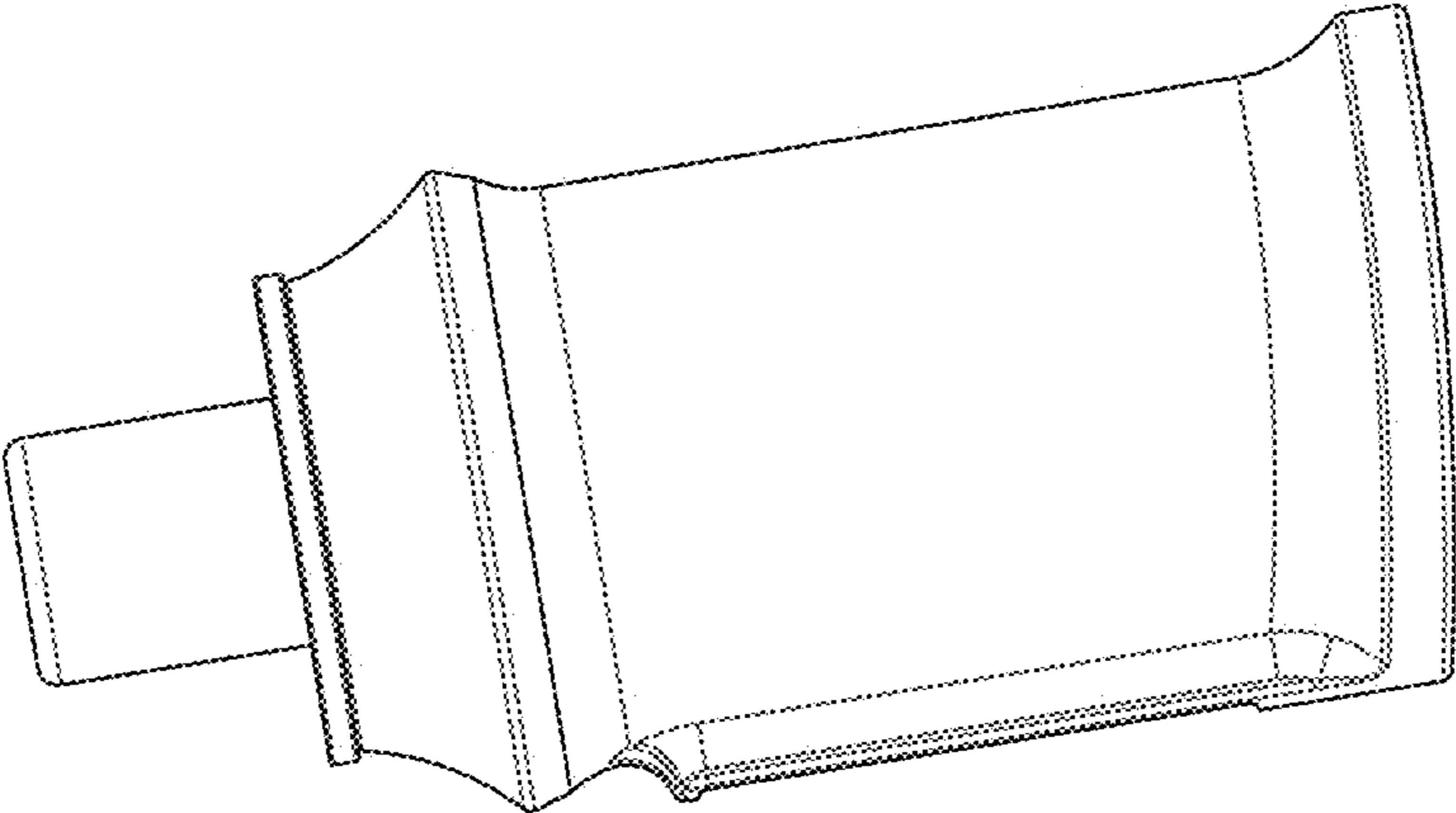


Fig. 3

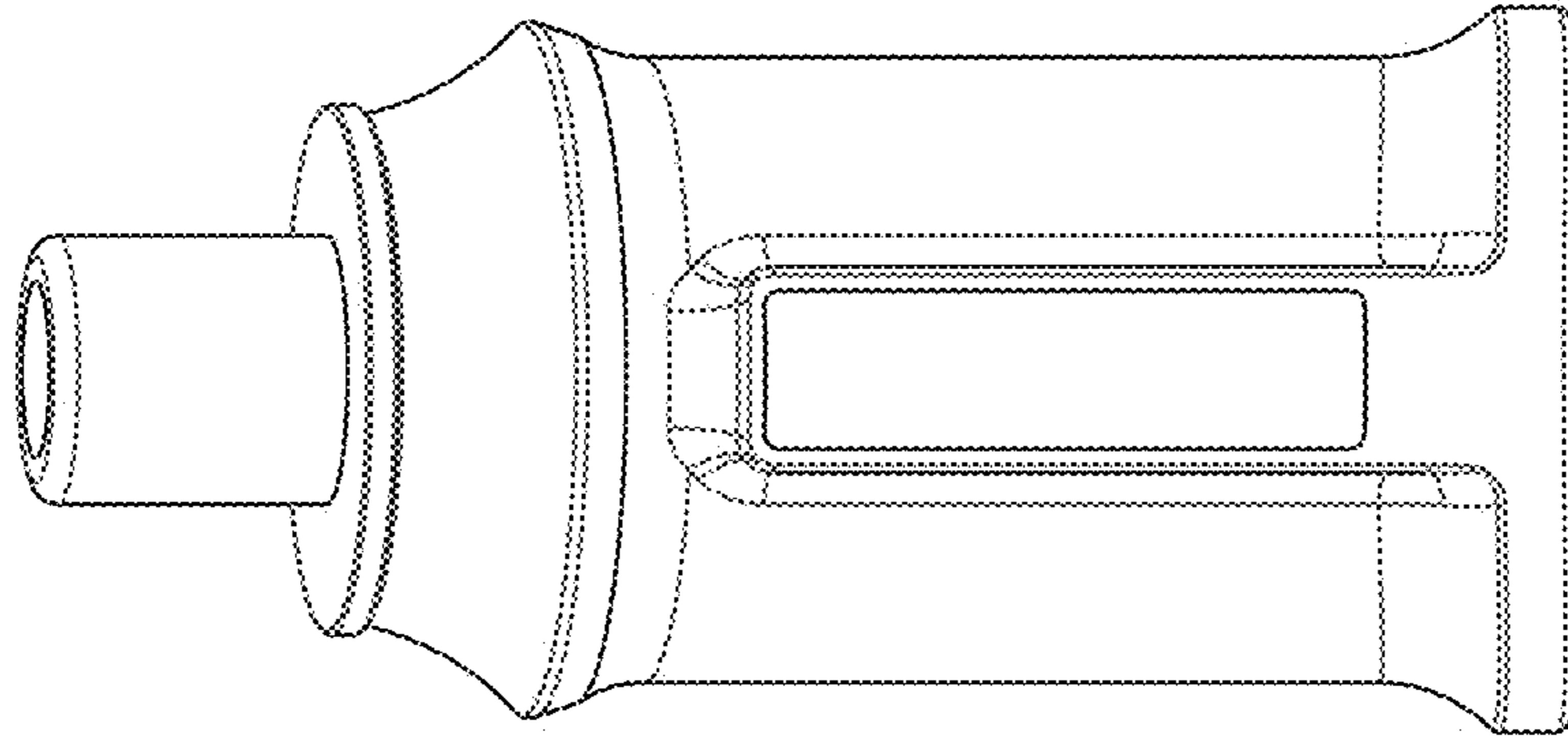


Fig. 6

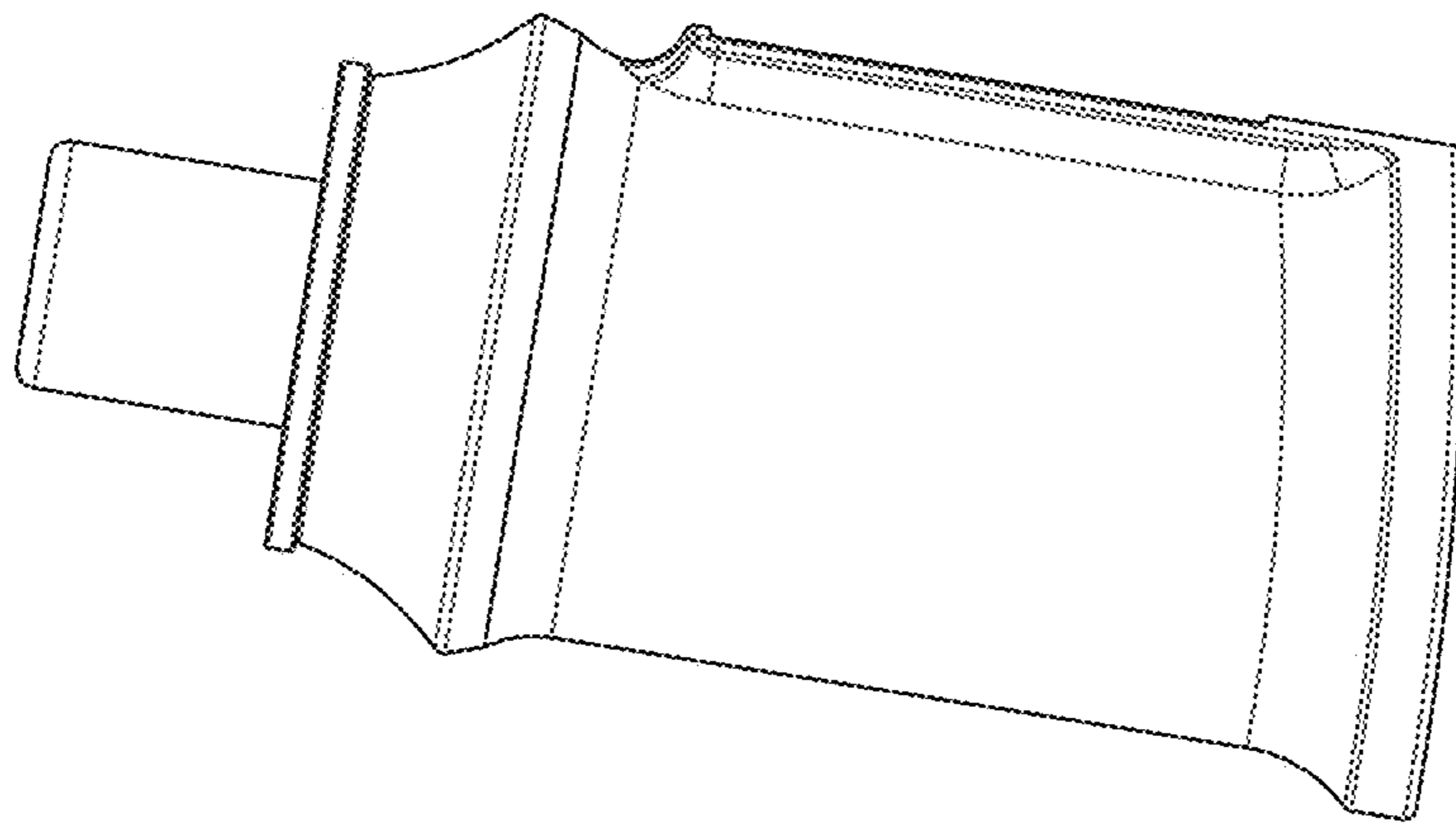


Fig. 5

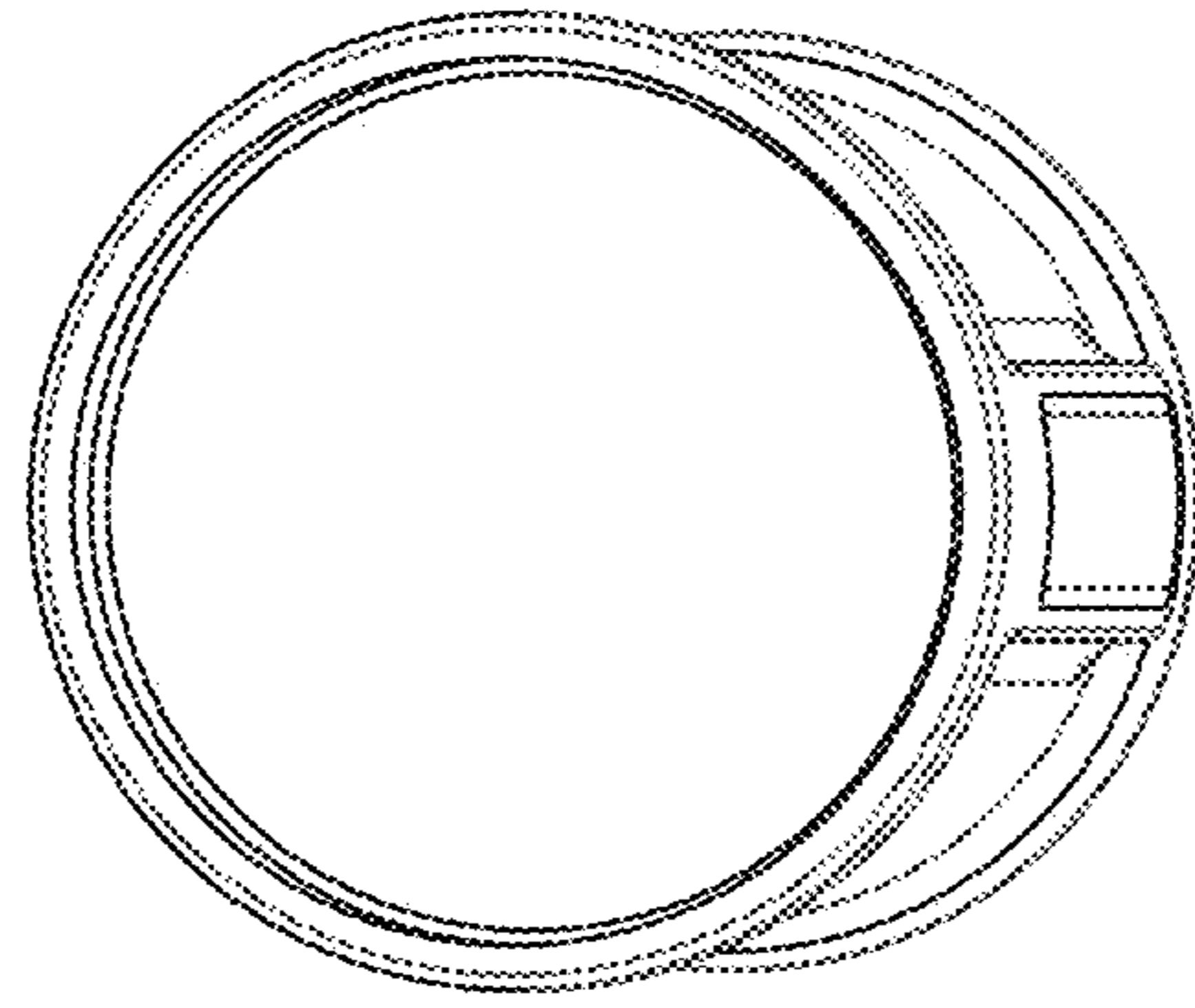


Fig. 8

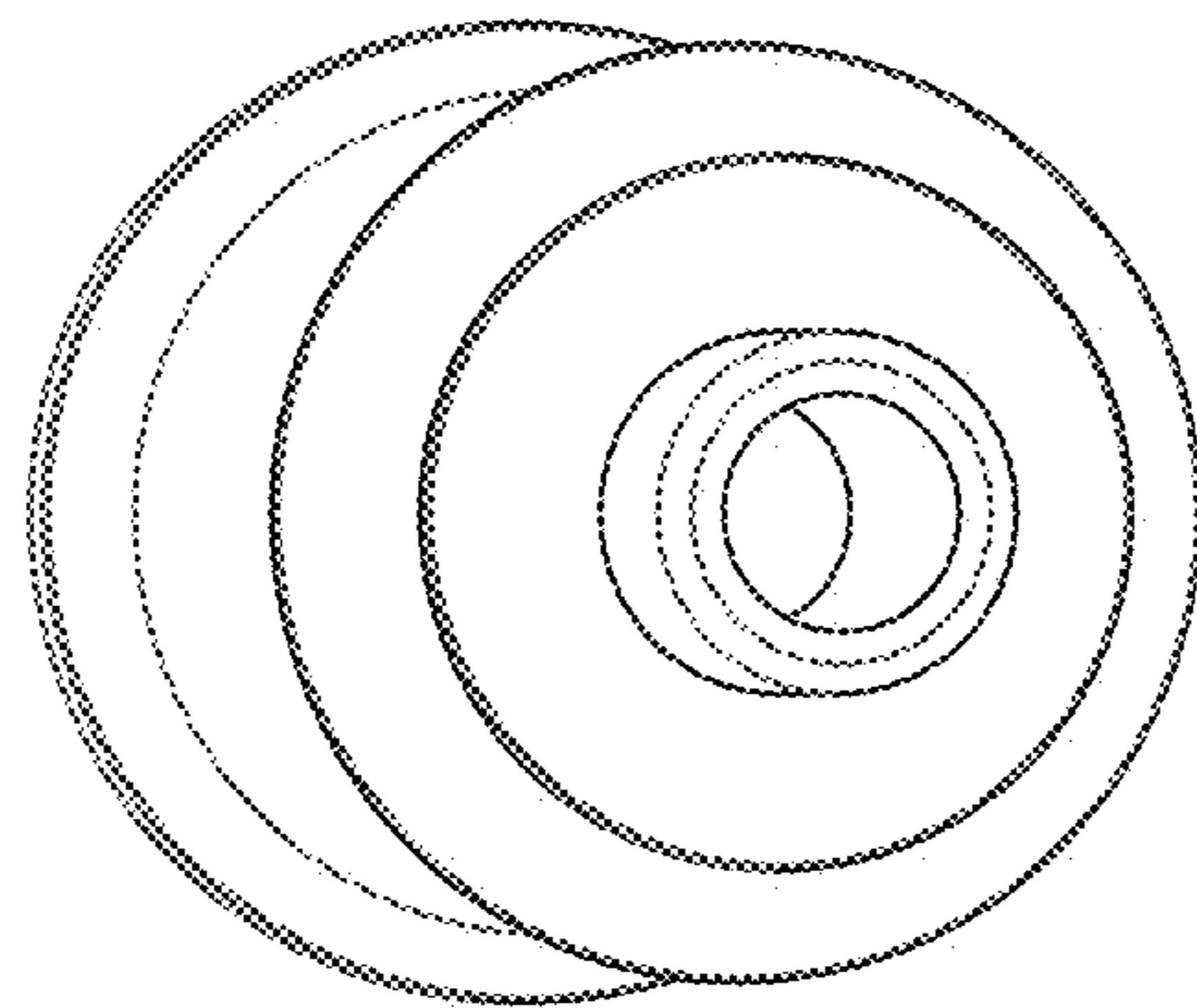


Fig. 7