



US00D870232S

(12) **United States Design Patent**  
**Chojnacki et al.**

(10) **Patent No.:** **US D870,232 S**

(45) **Date of Patent:** **\*\* Dec. 17, 2019**

(54) **HOUSING FOR VOLATIZABLE ACTIVE INGREDIENT**

(71) Applicant: **Thermacell Repellents, Inc.**, Bedford, MA (US)

(72) Inventors: **Adam A. Chojnacki**, Bedford, MA (US); **Adam Goess**, Bedford, MA (US); **Wender Wang**, Bedford, MA (US)

(73) Assignee: **Thermacell Repellents, Inc.**, Bedford, MA (US)

(\*\*) Term: **15 Years**

(21) Appl. No.: **29/657,617**

(22) Filed: **Jul. 24, 2018**

(51) **LOC (12) Cl.** ..... **22-06**

(52) **U.S. Cl.**  
USPC ..... **D22/122**

(58) **Field of Classification Search**  
USPC ..... D22/122; 43/107, 121, 124, 131, 132.1; 47/47; D23/366  
CPC .... A01M 1/04; A01M 1/2005; A01M 1/2011; A01M 1/103; A01M 1/2044; A01M 1/2055; A01M 1/026; A01M 1/2016; A01M 2200/011; A01M 2200/012  
See application file for complete search history.

(56) **References Cited**

**U.S. PATENT DOCUMENTS**

D56,552 S \* 11/1920 Cardinet ..... D22/122  
D89,900 S \* 5/1933 Lippert ..... D22/122

2,837,861 A \* 6/1958 Graham, Sr. .... A01M 1/04 43/131  
D256,716 S \* 9/1980 Gombert ..... D22/122  
D326,702 S \* 6/1992 Demarest ..... D22/119  
D433,091 S \* 10/2000 Carey ..... D22/122  
D496,708 S \* 9/2004 Belmont ..... D22/122  
D686,689 S \* 7/2013 Bernard ..... D22/122  
D698,910 S \* 2/2014 Lin ..... D23/366  
D831,783 S \* 10/2018 Willert ..... D22/122  
D837,931 S \* 1/2019 Timper ..... D22/122  
2003/0070348 A1 \* 4/2003 Spragins ..... A01M 1/026 43/121

\* cited by examiner

*Primary Examiner* — Catherine R Oliver-Garcia

(74) *Attorney, Agent, or Firm* — Levisohn Berger LLP

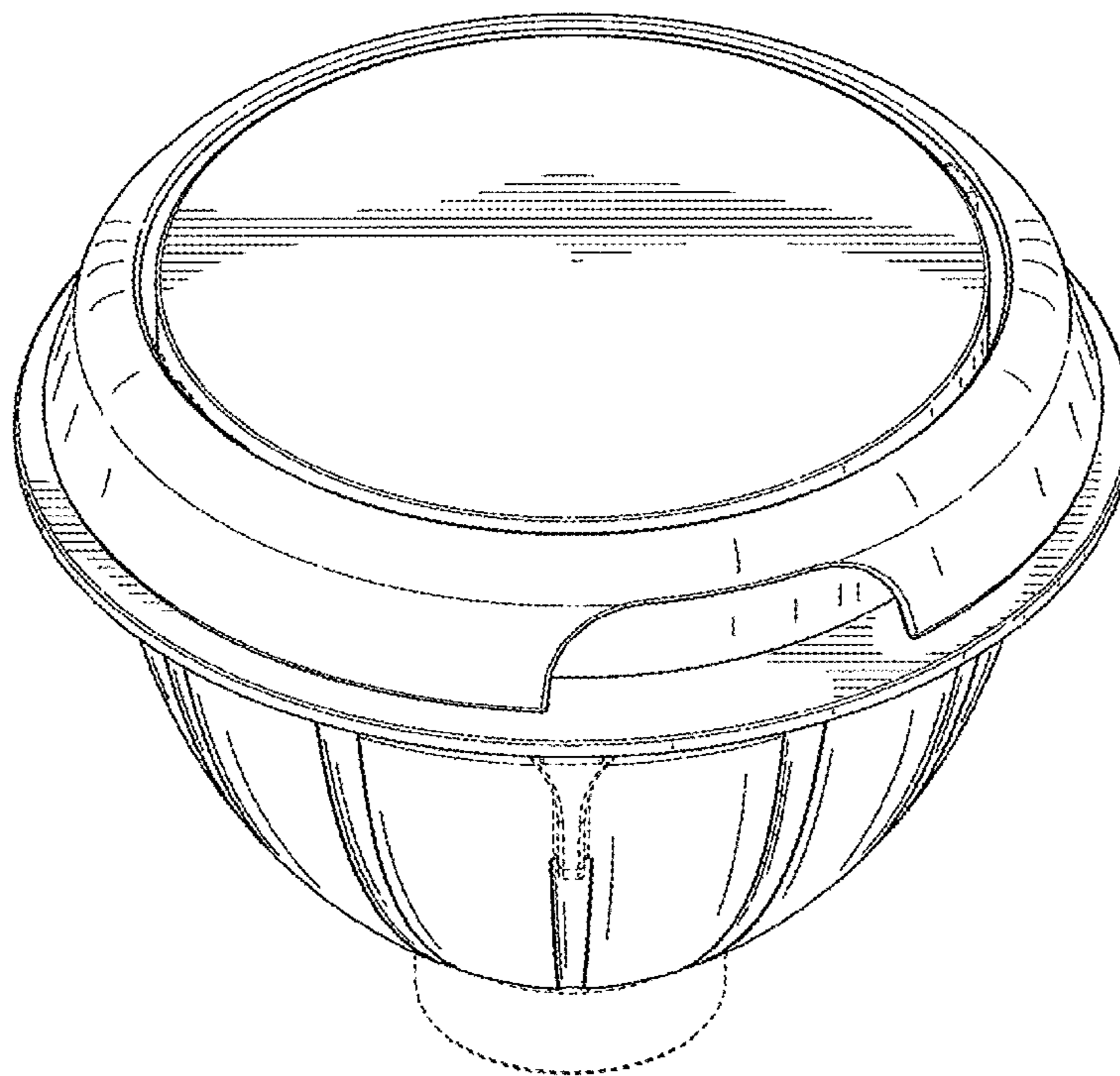
(57) **CLAIM**

The ornamental design for a housing for volatizable active ingredient, as shown and described.

**DESCRIPTION**

FIG. 1 is a top perspective view of the housing for volatizable active ingredient showing the new design; FIG. 2 is a bottom perspective view thereof; FIG. 3 is a front elevation view thereof; FIG. 4 is a rear elevation view thereof; FIG. 5 is a right side elevation view thereof; FIG. 6 is a left side elevation view thereof; FIG. 7 is a top plan view thereof; and, FIG. 8 is a bottom plan view thereof. Elements represented by broken lines and shade lines depicting environmental structure are for illustrative purposes only and form no part of the claimed design.

**1 Claim, 8 Drawing Sheets**



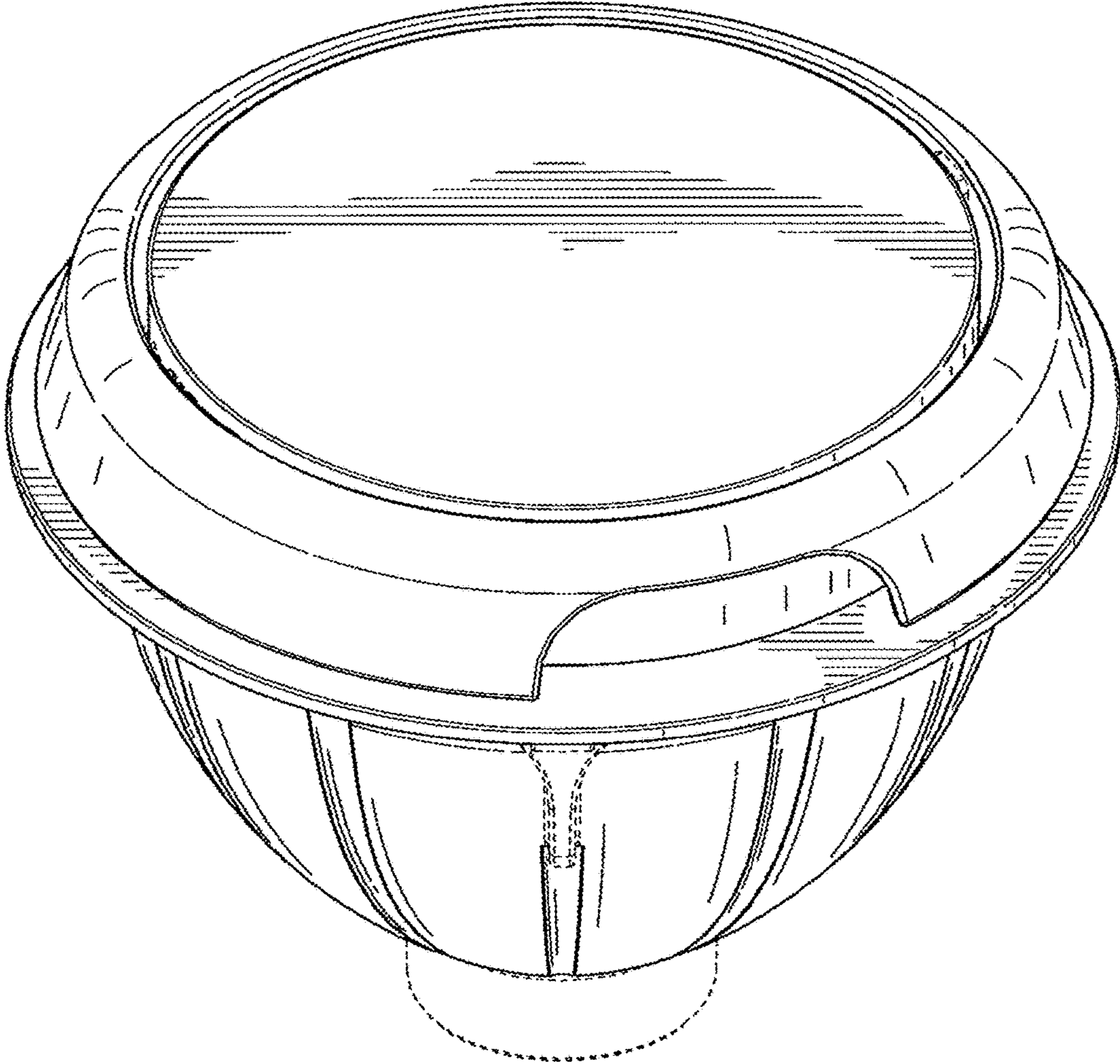


FIG. 1

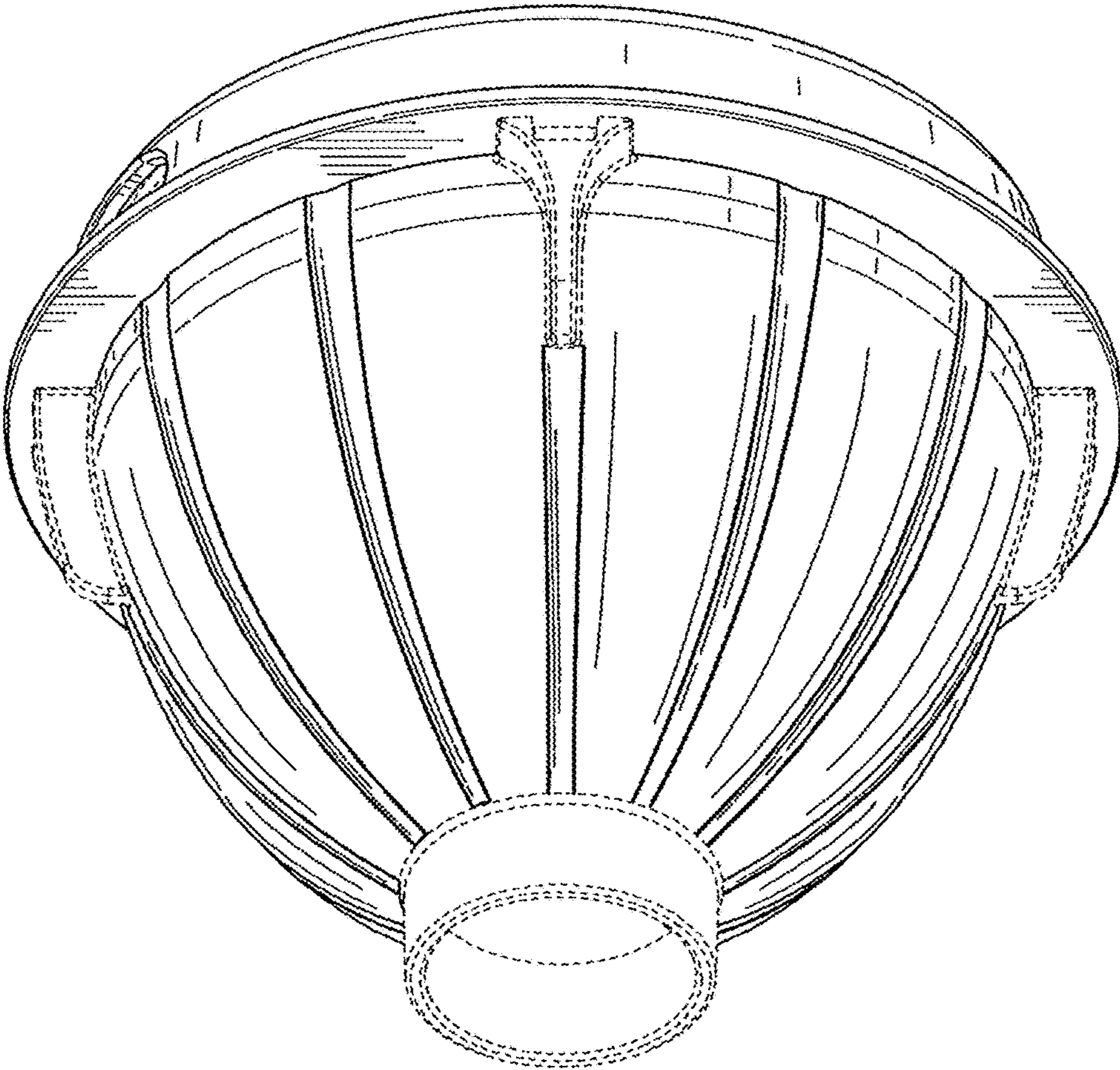


FIG. 2

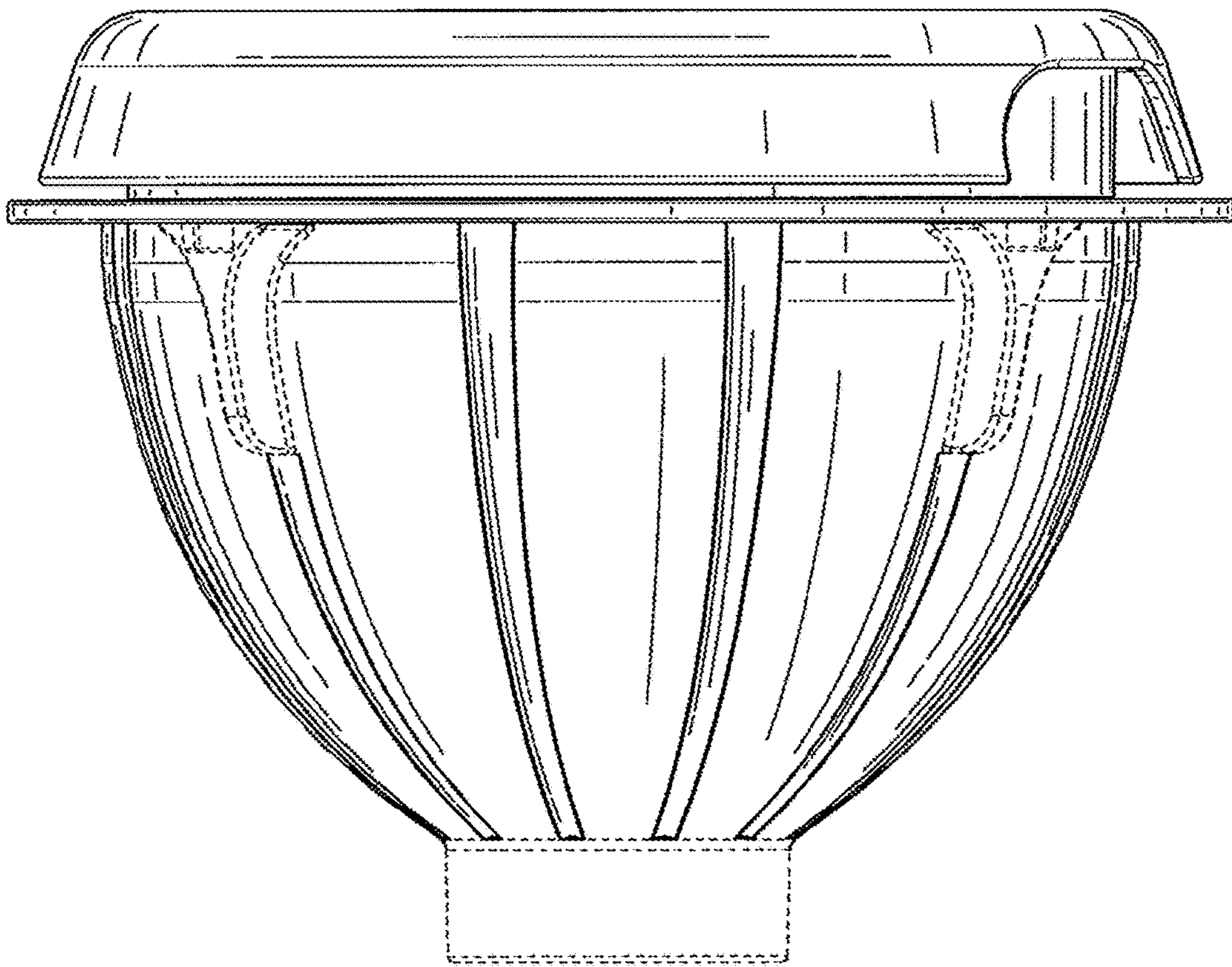


FIG. 3

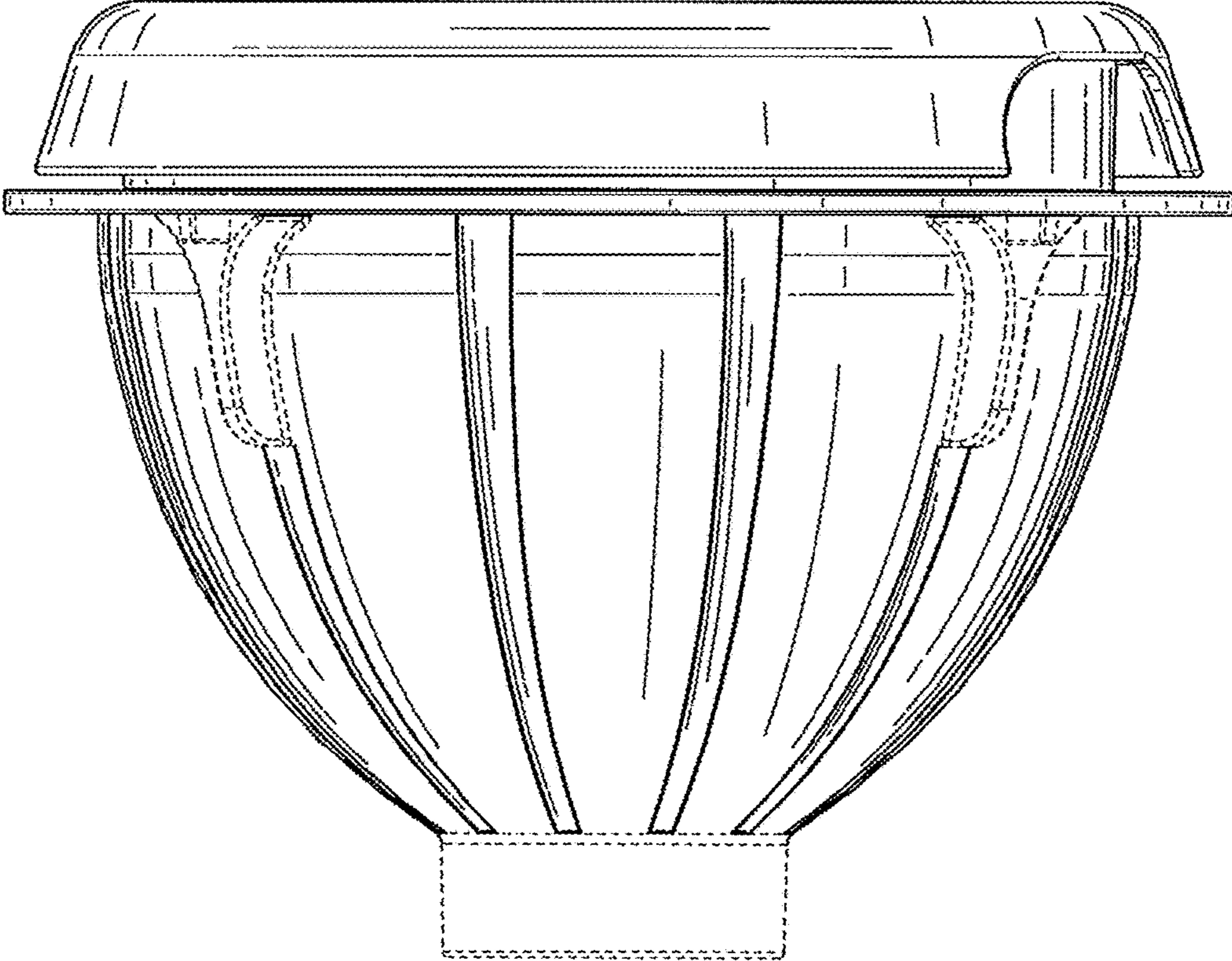


FIG. 4

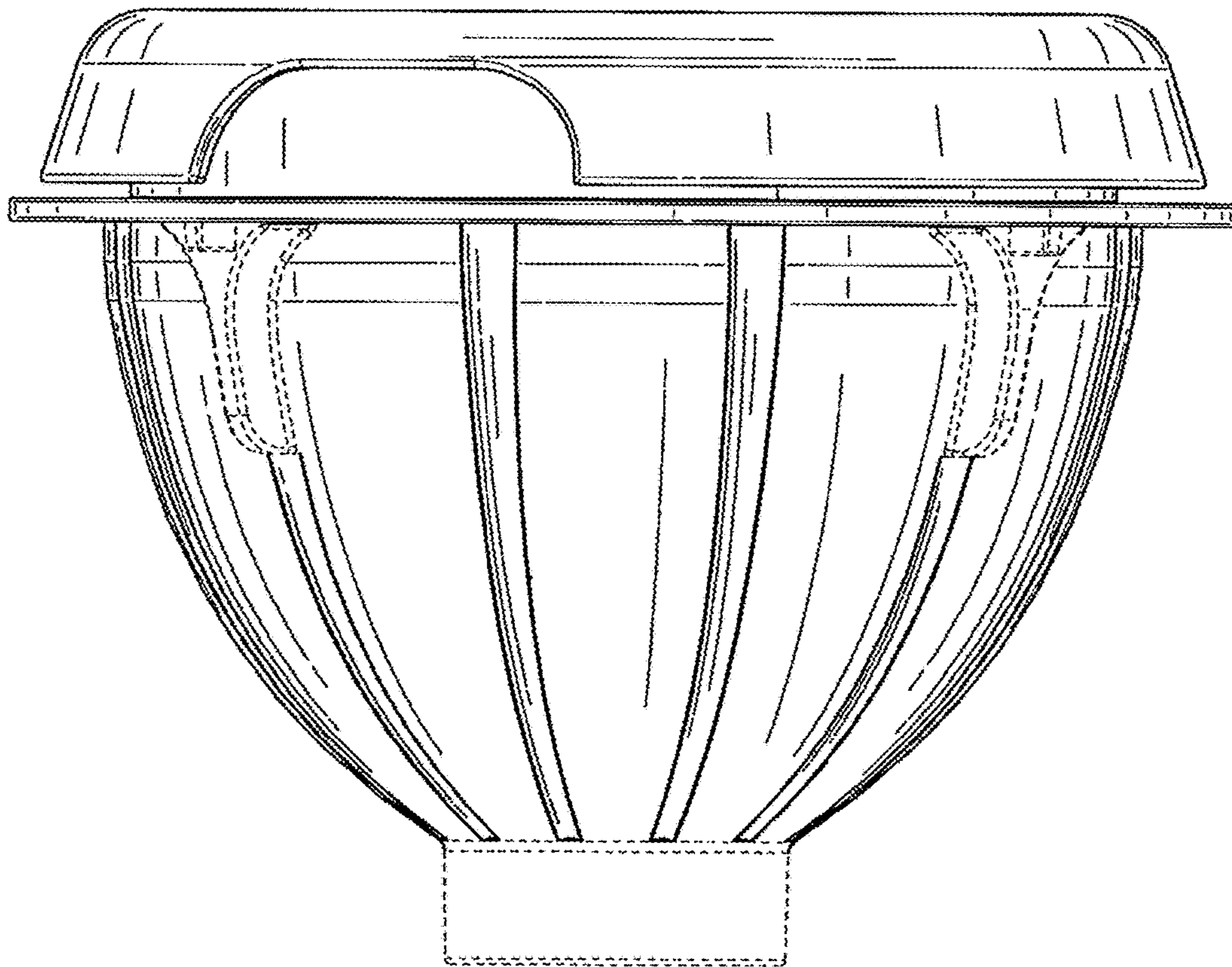


FIG. 5

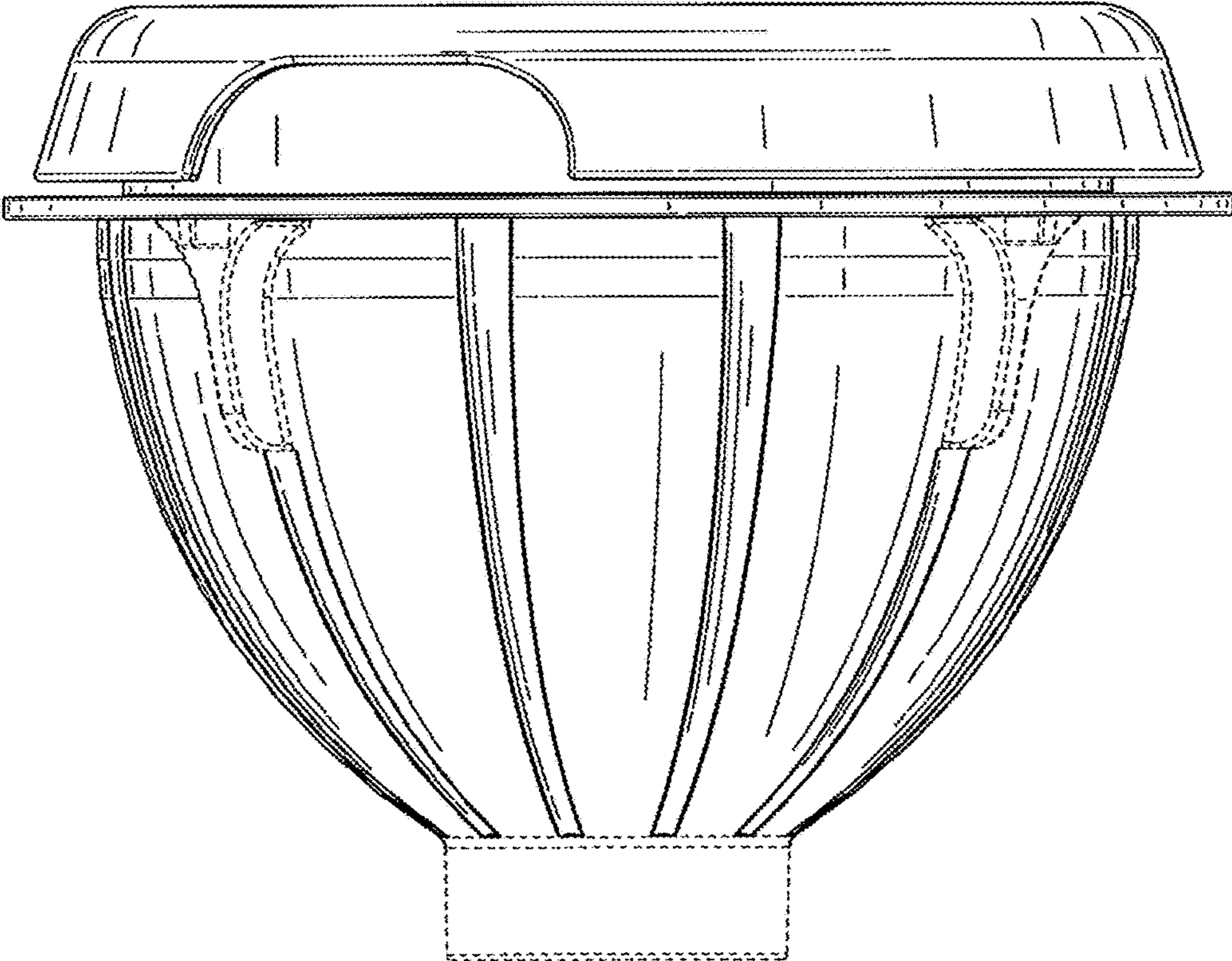


FIG. 6

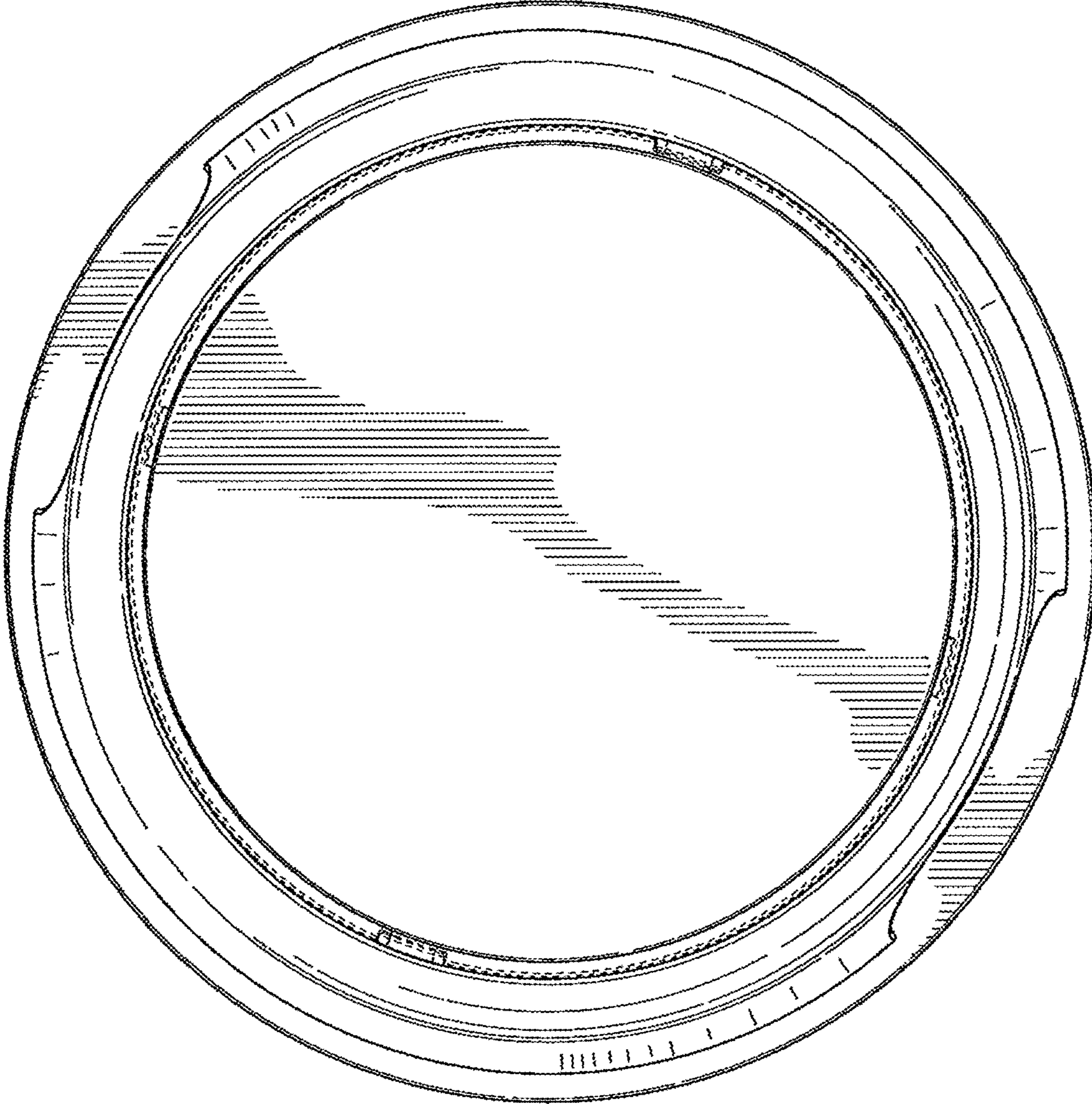


FIG. 7



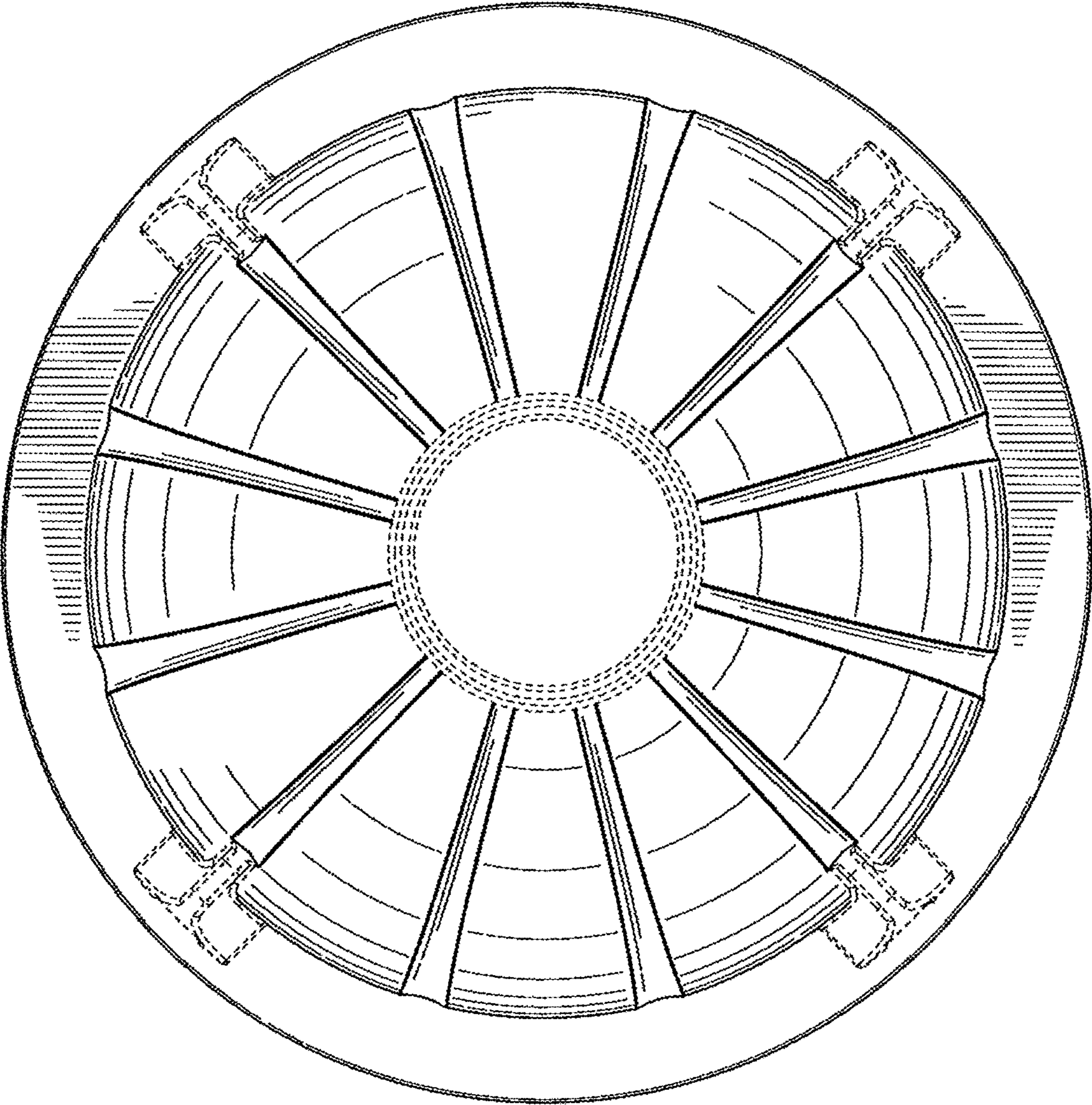


FIG. 8