



US00D870230S

(12) **United States Design Patent** (10) **Patent No.:** **US D870,230 S**  
**Keng et al.** (45) **Date of Patent:** **\*\* Dec. 17, 2019**

(54) **FIREARM REAR SIGHT**

2015/0267997 A1\* 9/2015 Collin ..... G03H 1/0005  
359/1  
2016/0327366 A1\* 11/2016 Campean ..... F41G 1/18  
2018/0292168 A1\* 10/2018 Borrico ..... F41G 1/30

(71) Applicant: **Keng's Firearms Specialty, Inc.**,  
Atlanta, GA (US)

(72) Inventors: **Da Keng**, Atlanta, GA (US); **Maciej W. Matuszczak**, Woodstock, GA (US)

(73) Assignee: **Keng's Firearms Specialty, Inc.**,  
Atlanta, GA (US)

(\*\*) Term: **15 Years**

(21) Appl. No.: **29/640,764**

(22) Filed: **Mar. 16, 2018**

(51) **LOC (12) Cl.** ..... **22-01**

(52) **U.S. Cl.**  
USPC ..... **D22/109**

(58) **Field of Classification Search**  
USPC ..... D22/108, 109, 110  
CPC ..... F41A 19/11; F41A 17/54; F41A 33/00  
See application file for complete search history.

(56) **References Cited**

**U.S. PATENT DOCUMENTS**

D378,936 S *	4/1997	DePaoli	.....	D22/109
D450,800 S *	11/2001	Sheehan	.....	D22/109
D460,512 S *	7/2002	Sheehan	.....	D22/109
D662,566 S *	6/2012	Estes	.....	D22/109
D704,296 S *	5/2014	Cheng	.....	D22/109
D730,477 S *	5/2015	Huynh	.....	D22/109
D747,431 S *	1/2016	Cheng	.....	D22/109
D784,480 S *	4/2017	Oz	.....	D22/109
10,139,197 B1 *	11/2018	Horton	.....	F41G 1/065
D846,689 S *	4/2019	Cheng	.....	D22/109
D846,690 S *	4/2019	Cheng	.....	D22/109
D847,292 S *	4/2019	Hoff	.....	D22/109
D848,567 S *	5/2019	Soejima	.....	D22/109
D849,180 S *	5/2019	Cheng	.....	D22/109
2014/0096431 A1 *	4/2014	Tang	.....	F41G 1/30

42/132

**OTHER PUBLICATIONS**

Kensight website, (DFS) 1911 Sights Fixed Rear Combat Sight, Earliest comment date Mar. 7, 2016, [site visited Jun. 20, 2019], Available on the Internet URL <https://stores.kensight.com/kensight-dfs-1911-defense-fixed-rear-sight-white-dot-recessed-blade-novak/#ProductReviews> (Year: 2016).\*

\* cited by examiner

*Primary Examiner* — Karen S Acker

*Assistant Examiner* — Steven B Reinholdt, Jr.

(74) *Attorney, Agent, or Firm* — Walter A. Rodgers

(57) **CLAIM**

The ornamental design for a firearm rear sight, as shown and described.

**DESCRIPTION**

FIG. 1 is a perspective view of a firearm rear sight showing my new design;

FIG. 2 is a left-side elevation view thereof;

FIG. 3 is a front elevation view thereof;

FIG. 4 is a right-side elevation view thereof;

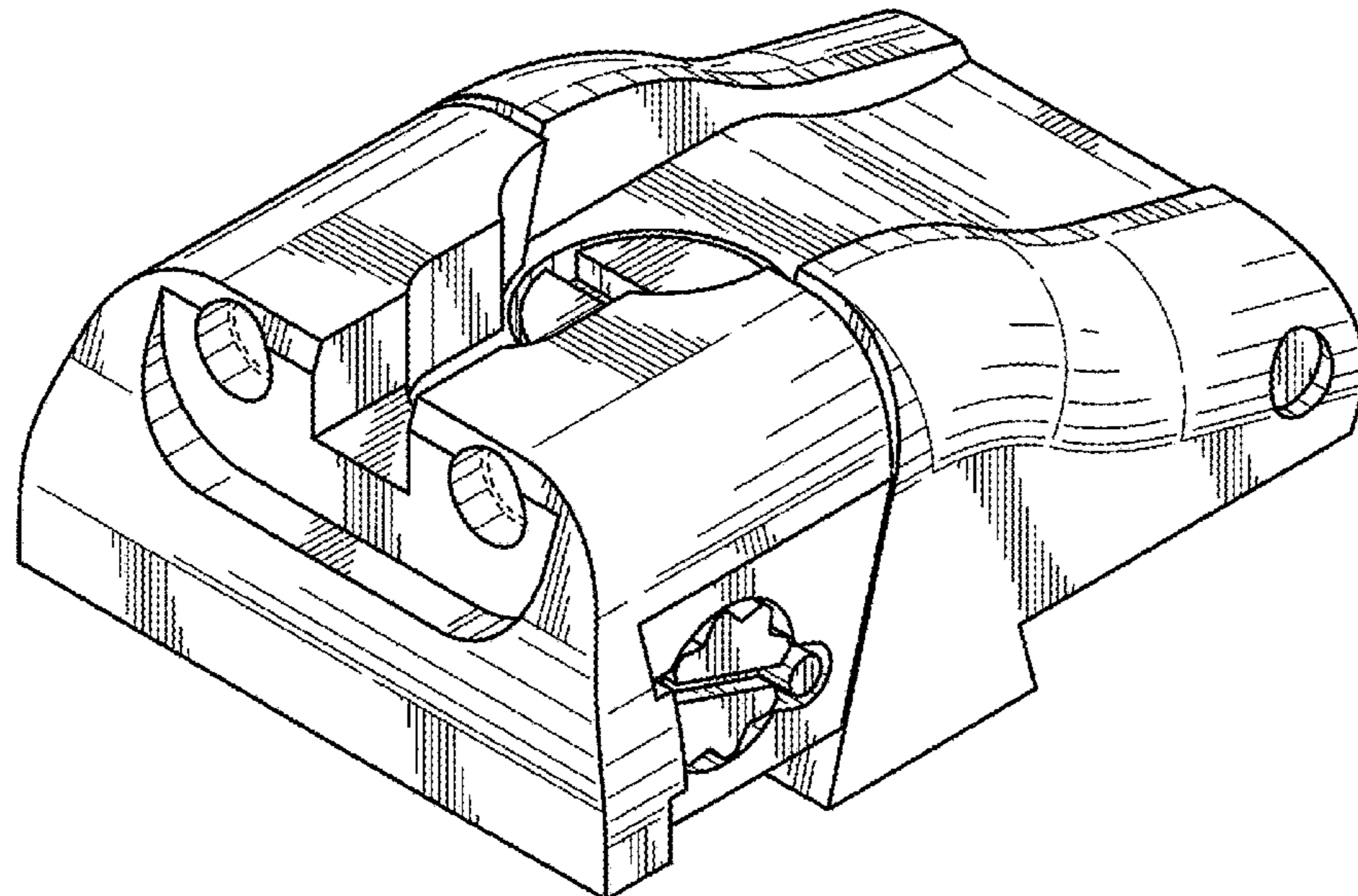
FIG. 5 is a rear elevation view thereof;

FIG. 6 is a top plan view thereof; and,

FIG. 7 is bottom plan view thereof.

The broken lines and the areas within them depict portions of the firearm rear sight that form no part of the claimed design. The dot-dash-dot broken lines in FIG. 6 form a boundary of the claim and form no part thereof.

**1 Claim, 4 Drawing Sheets**



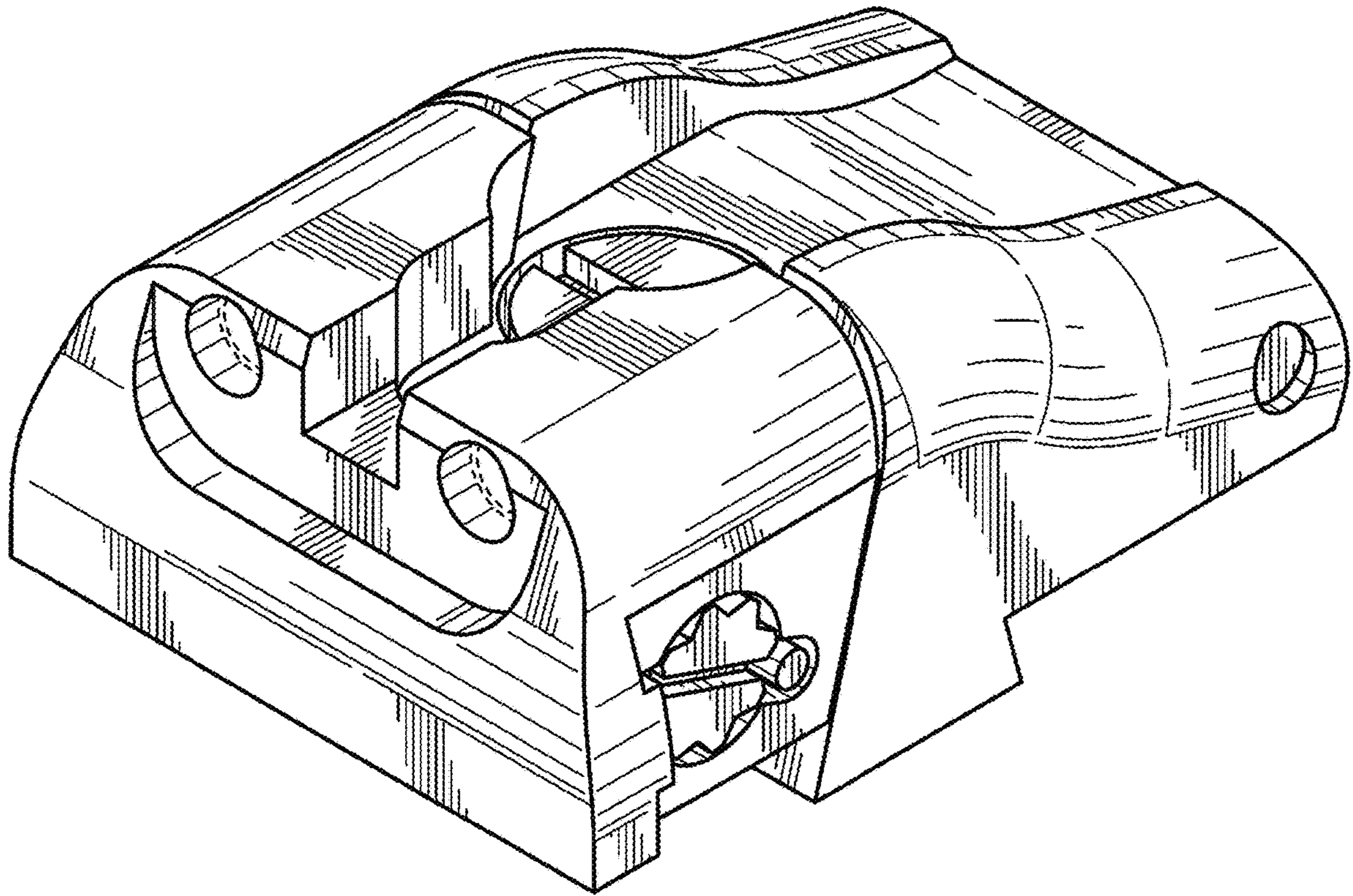


FIG. 1

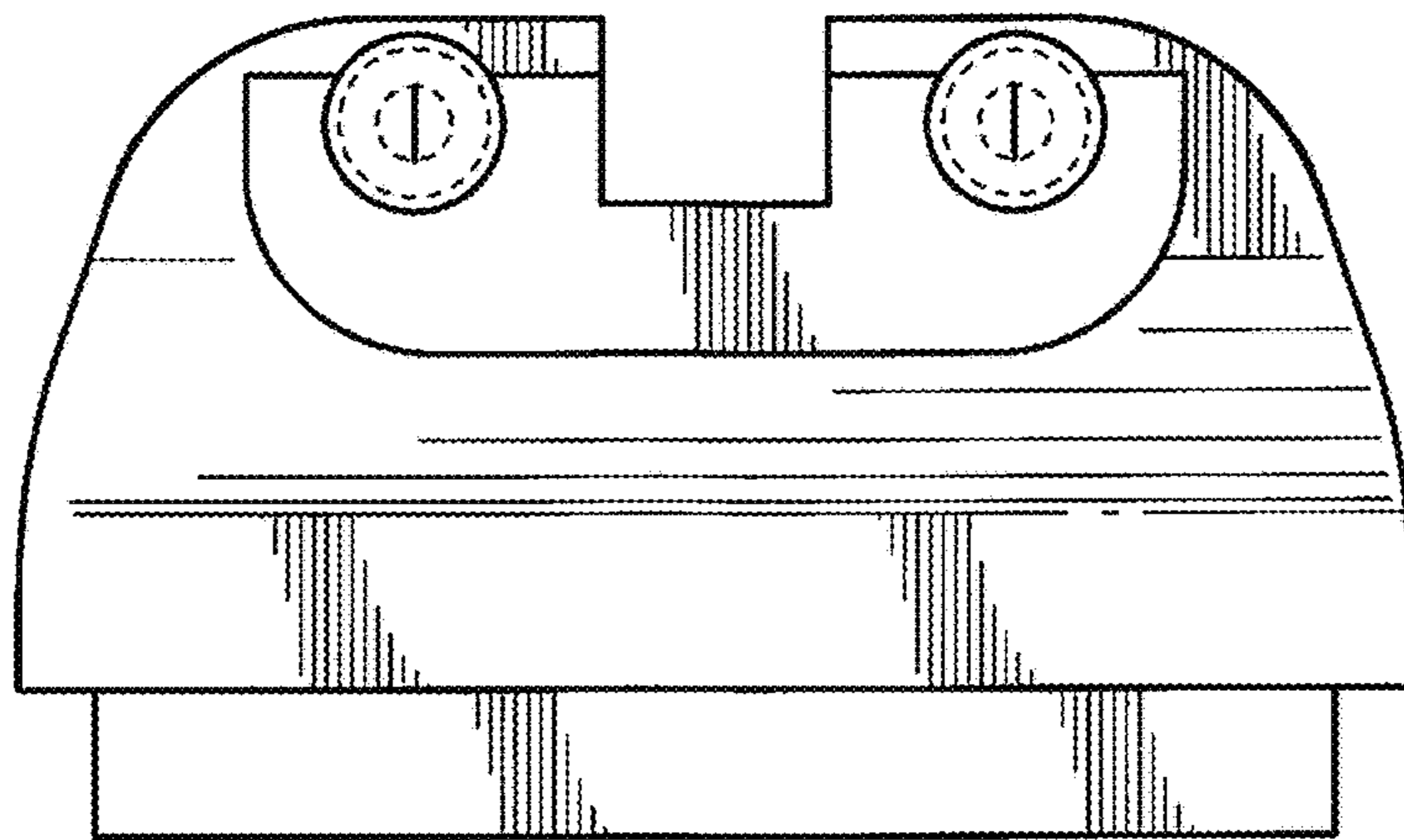


FIG. 2

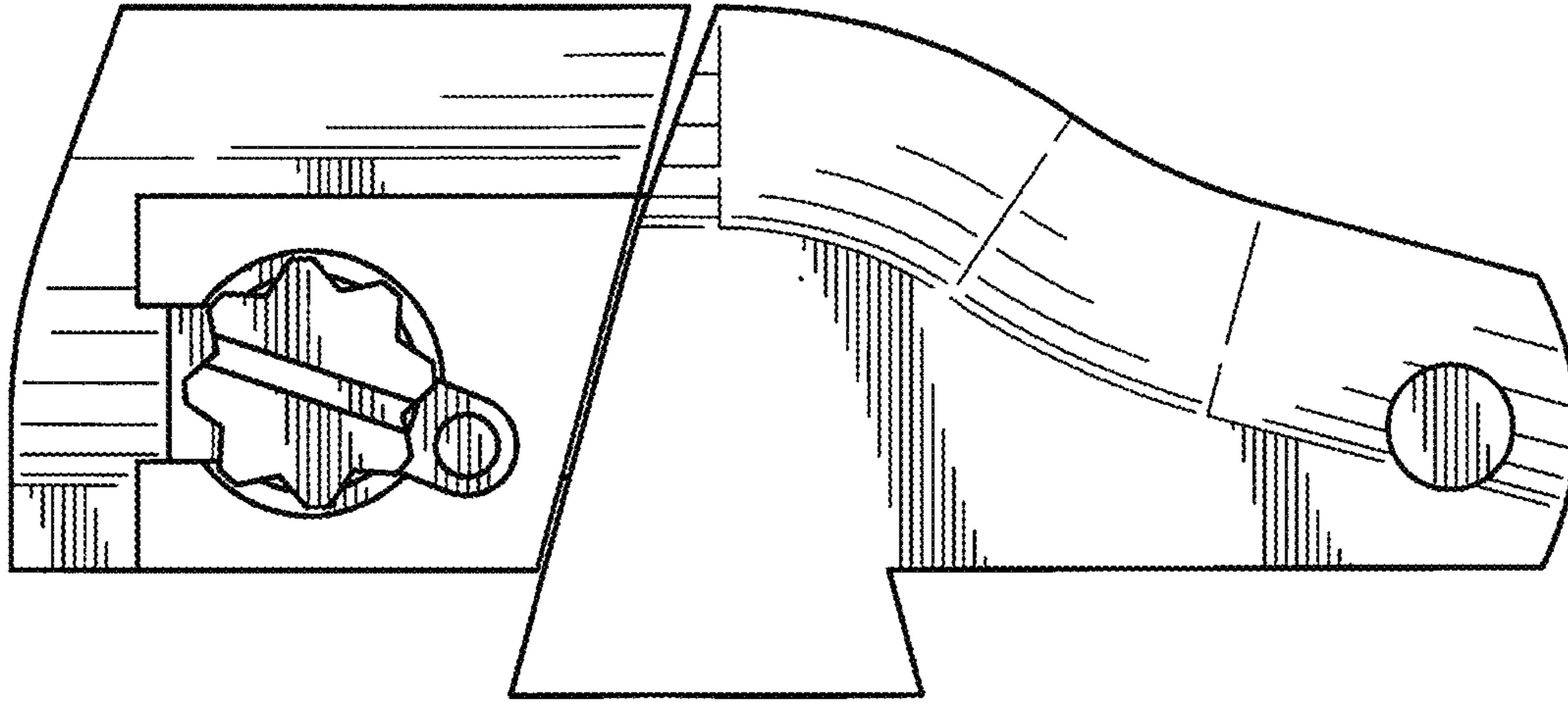


FIG. 3

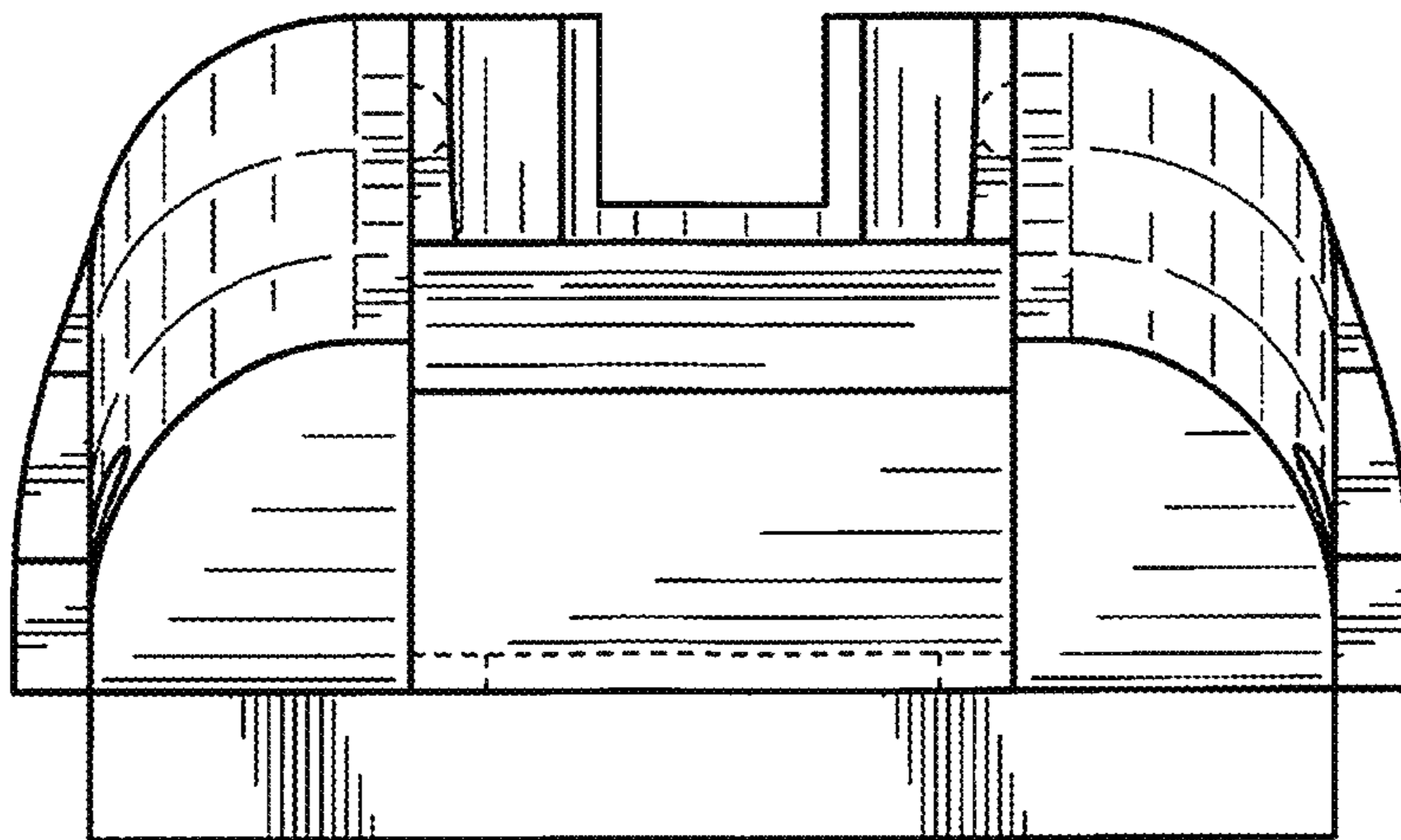


FIG. 4

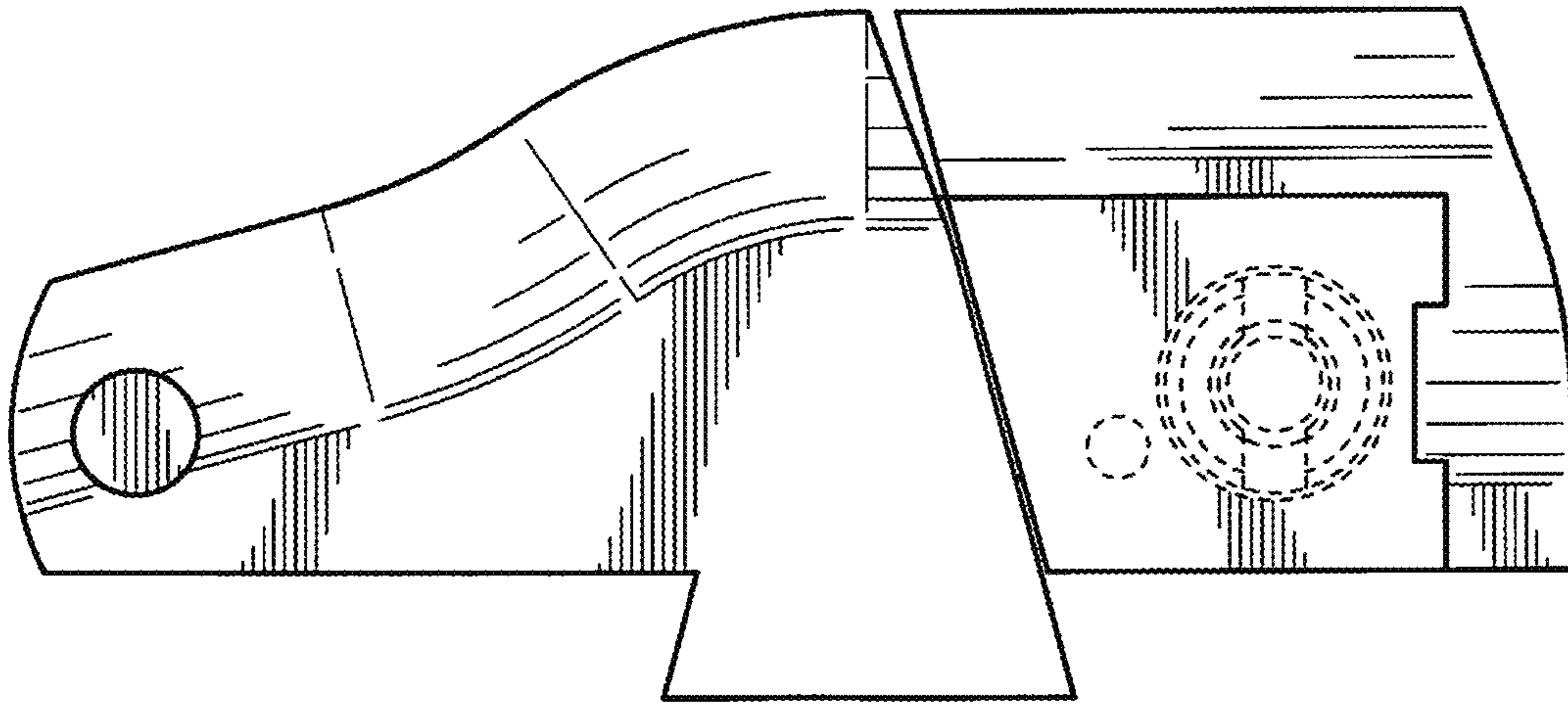


FIG. 5

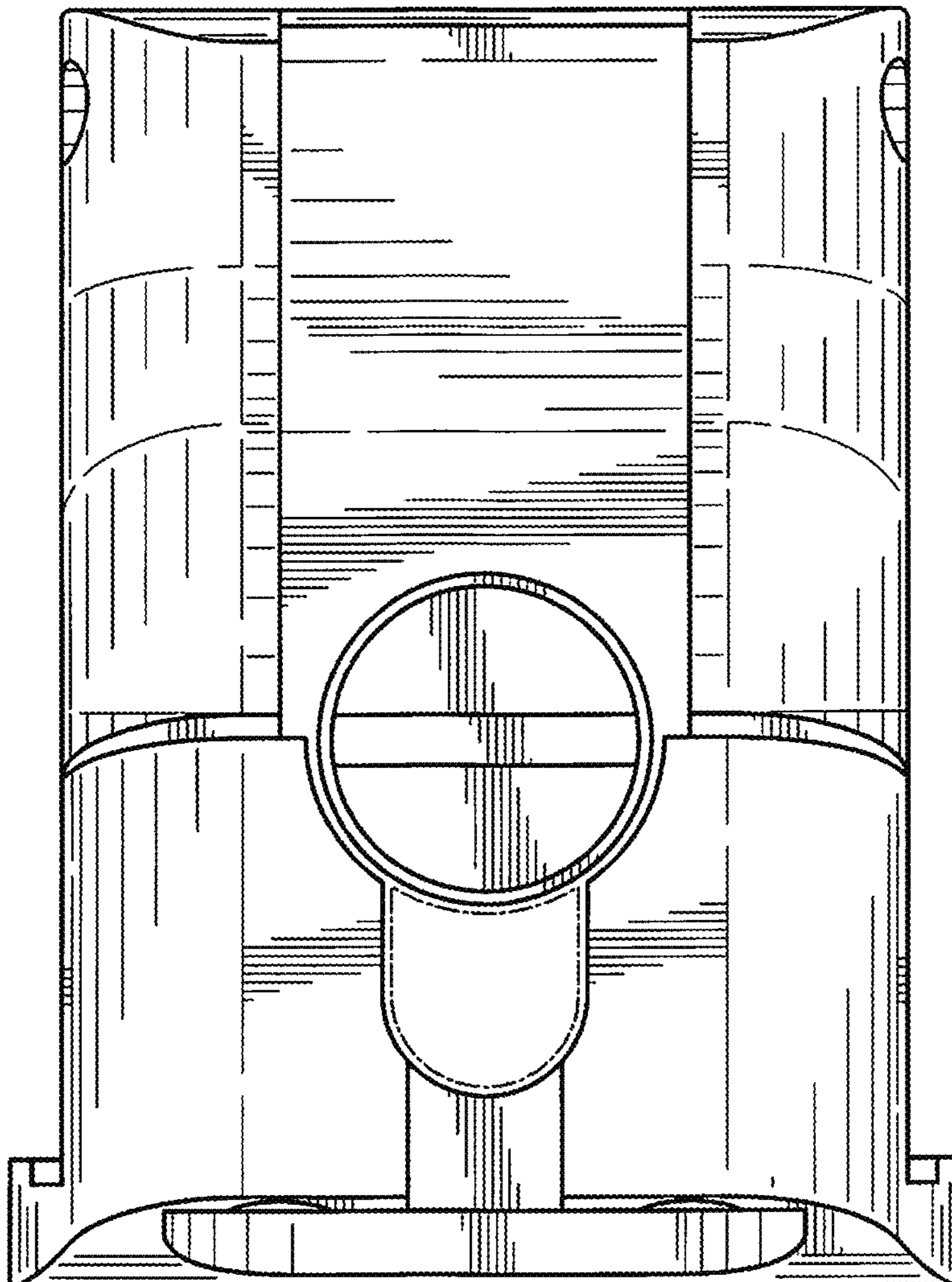


FIG. 6

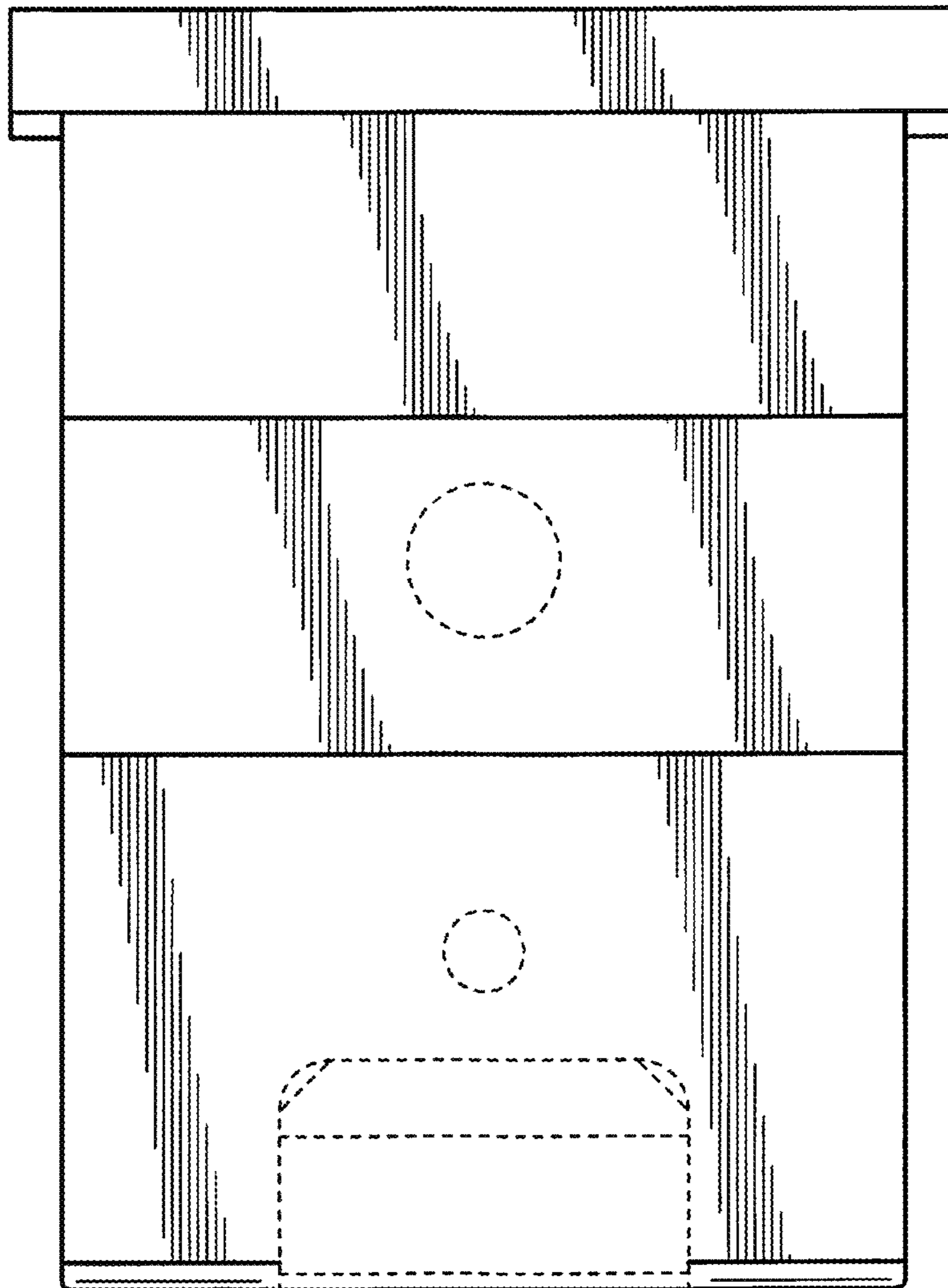


FIG. 7