



US00D870228S

(12) **United States Design Patent** (10) **Patent No.:** **US D870,228 S**
Jager (45) **Date of Patent:** **** *Dec. 17, 2019**

(54) **ULTRALIGHT SEMI-AUTOMATIC PISTOL SLIDE**

(71) Applicant: **John Jager**, Plainwell, MI (US)

(72) Inventor: **John Jager**, Plainwell, MI (US)

(*) Notice: This patent is subject to a terminal disclaimer.

(**) Term: **15 Years**

(21) Appl. No.: **29/618,493**

(22) Filed: **Sep. 21, 2017**

(51) **LOC (12) Cl.** **22-01**

(52) **U.S. Cl.**
USPC **D22/108**

(58) **Field of Classification Search**
USPC D22/100, 101, 103, 106, 108, 109, 110, D22/111, 117, 199; D21/300, 301, 570, D21/573, 574, 575
CPC F41B 5/14; F41B 5/00; F41C 27/00; F41C 23/14; F41C 23/06; F41C 3/00; F41C 7/00; F41C 23/20; F41C 23/08; F41C 23/10; F41G 11/003; F41G 1/18; F41G 1/38; F41G 1/545

See application file for complete search history.

(56) **References Cited**

U.S. PATENT DOCUMENTS

D346,196 S *	4/1994	Ruger	D22/108
D676,094 S *	2/2013	Hu	D21/574
D681,131 S *	4/2013	Su	D21/574
D690,374 S *	9/2013	Lee	D21/574
D702,308 S *	4/2014	Glock	D22/108
D729,895 S *	5/2015	Porat	D22/108
D732,629 S *	6/2015	Wolf	D22/108
D744,049 S *	11/2015	Chu	D21/574
D754,802 S *	4/2016	Martelli	D21/574
D755,324 S *	5/2016	Martelli	D22/104
D755,907 S *	5/2016	Hu	D21/574
D758,519 S *	6/2016	Toner	D22/108

D777,871 S *	1/2017	Niswander	D22/108
D777,872 S *	1/2017	Wolf	D22/108
D800,243 S *	10/2017	Niswander	D22/108
D803,341 S *	11/2017	Wolf	D22/108
D824,478 S *	7/2018	Shelton	D22/108
2008/0148619 A1 *	6/2008	Rogers	F41G 1/35 42/90
2011/0167698 A1 *	7/2011	Hoguc	F41C 23/10 42/71.02
2014/0053445 A1 *	2/2014	Wolf	F41A 3/12 42/14

(Continued)

OTHER PUBLICATIONS

<https://www.arwcustoms.com/product-page/triangle-glock-19-g-4-slide-w-rmr-cut>—Retrieved on Aug. 21, 2018.*

(Continued)

Primary Examiner — Khawaja Anwar
Assistant Examiner — Mojtaba Tehrani

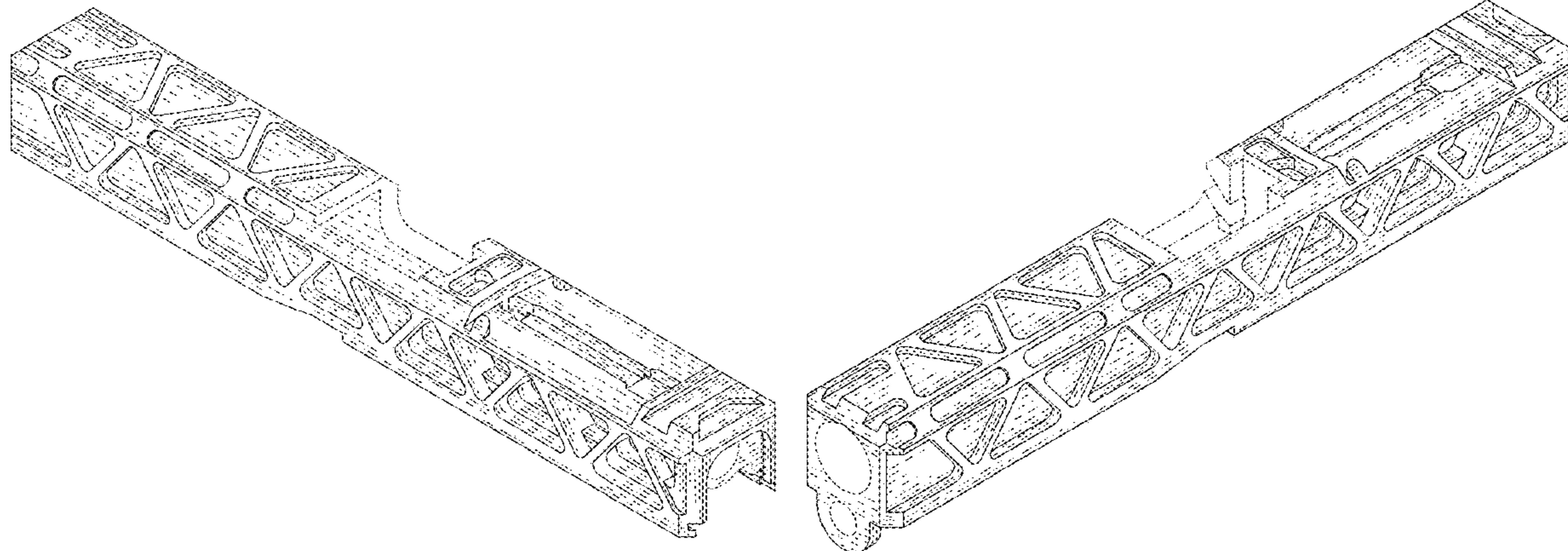
(57) **CLAIM**

The ornamental design for an ultralight semi-automatic pistol slide, as shown and described.

DESCRIPTION

FIG. 1 is a front right perspective view of an ultralight semi-automatic pistol slide showing my new design; FIG. 2 is a front view thereof; FIG. 3 is a back view thereof; FIG. 4 is a top view thereof; FIG. 5 is a bottom view thereof; FIG. 6 is a left view thereof; FIG. 7 is a right view thereof; FIG. 8 is a front left perspective view thereof; FIG. 9 is a back right perspective view thereof; and, FIG. 10 is a back left perspective view thereof. The evenly broken lines depict portions of the slide that form no part of the claimed design.

1 Claim, 10 Drawing Sheets



(56)

References Cited

U.S. PATENT DOCUMENTS

2014/0082983 A1* 3/2014 Ermossa F41C 23/10
42/69.01
2015/0121738 A1* 5/2015 Zajk F41C 23/16
42/90
2015/0276347 A1* 10/2015 Sharrah F41G 1/35
42/117
2016/0047613 A1* 2/2016 Hudson, III F41A 3/86
42/14

OTHER PUBLICATIONS

http://www.a-airsoft.com/index.php?route=product/product&product_id=211—Retrieved on Aug. 21, 2018.*
<http://www.zevtechnologies.com/glocks/slides/z17-slide?display=table>—Retrieved on Aug. 21, 2018.*

* cited by examiner

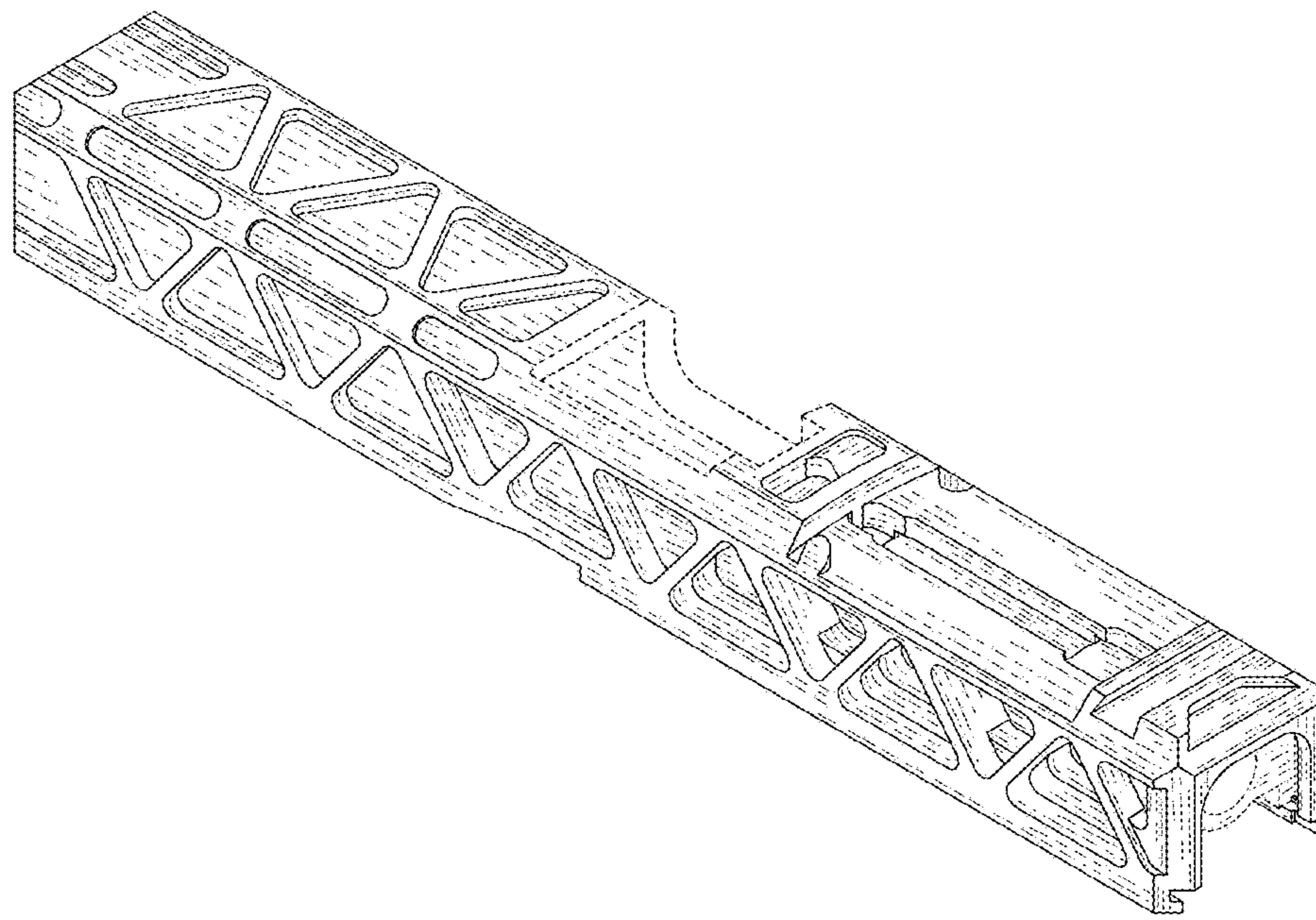


FIG. 1

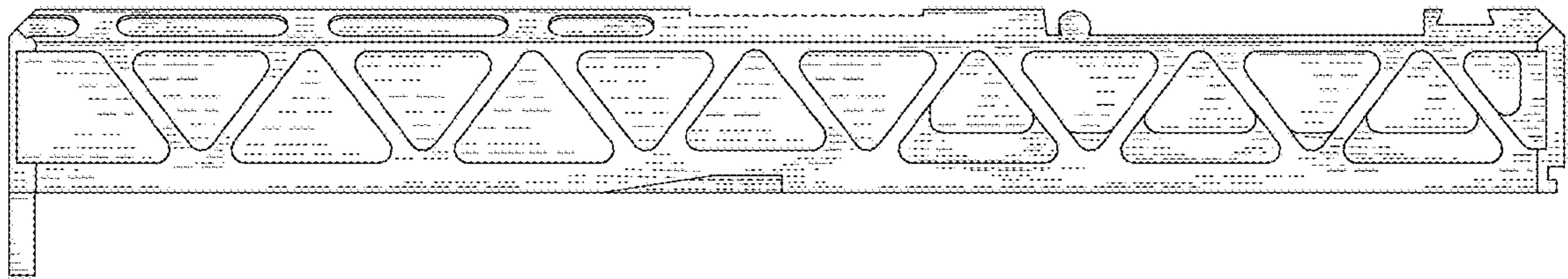


FIG. 2

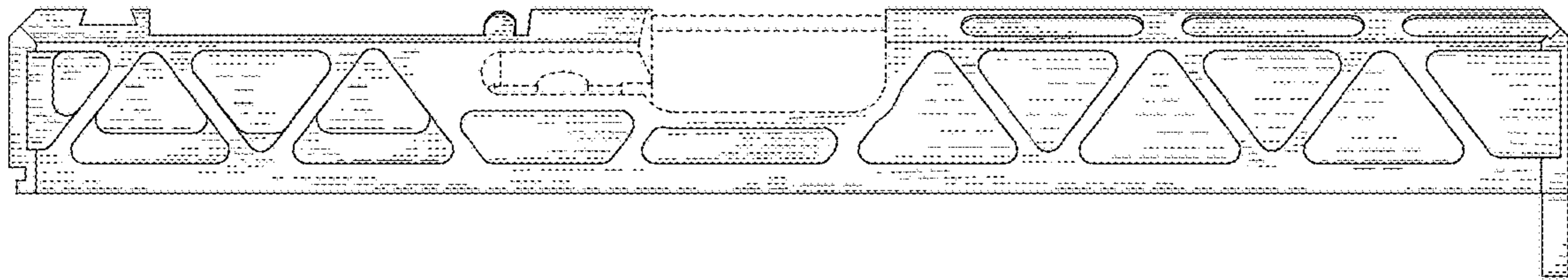


FIG. 3

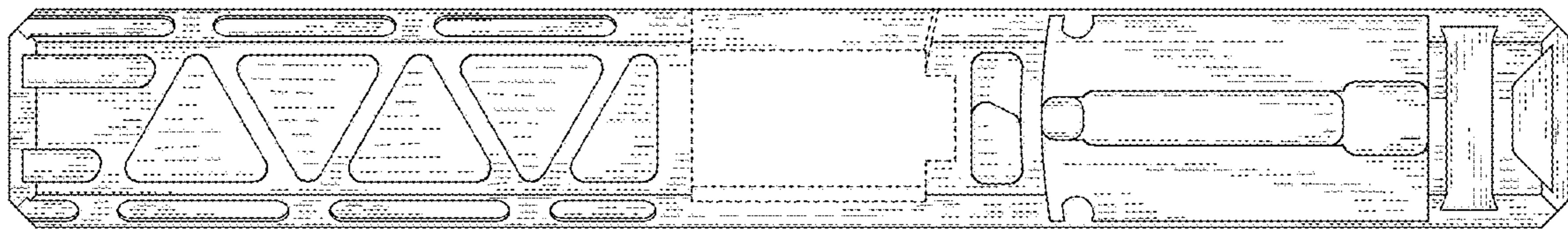


FIG. 4

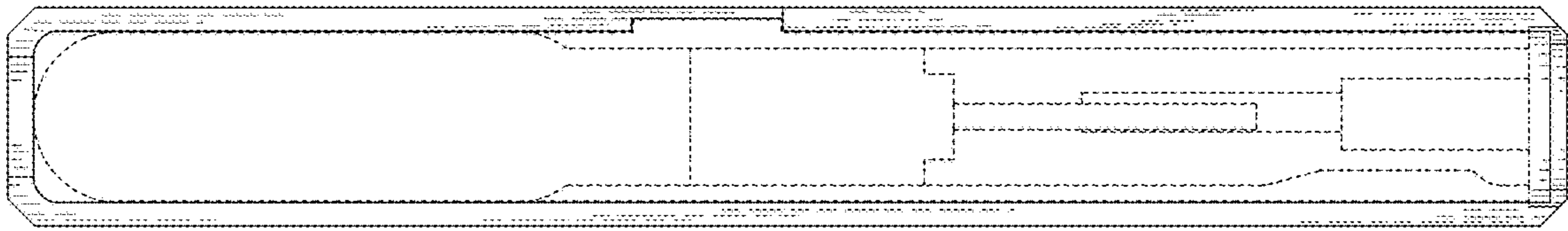


FIG. 5

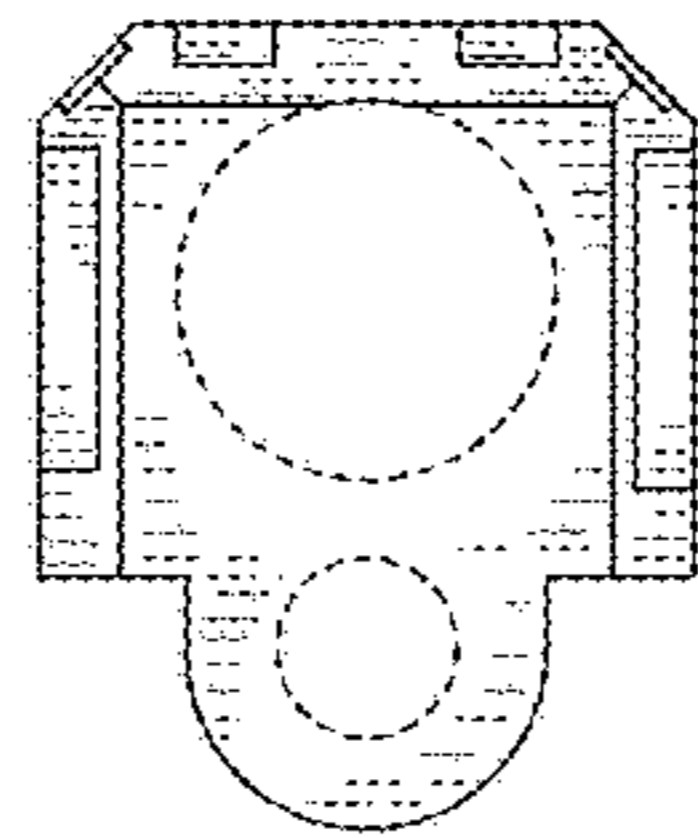


FIG. 6

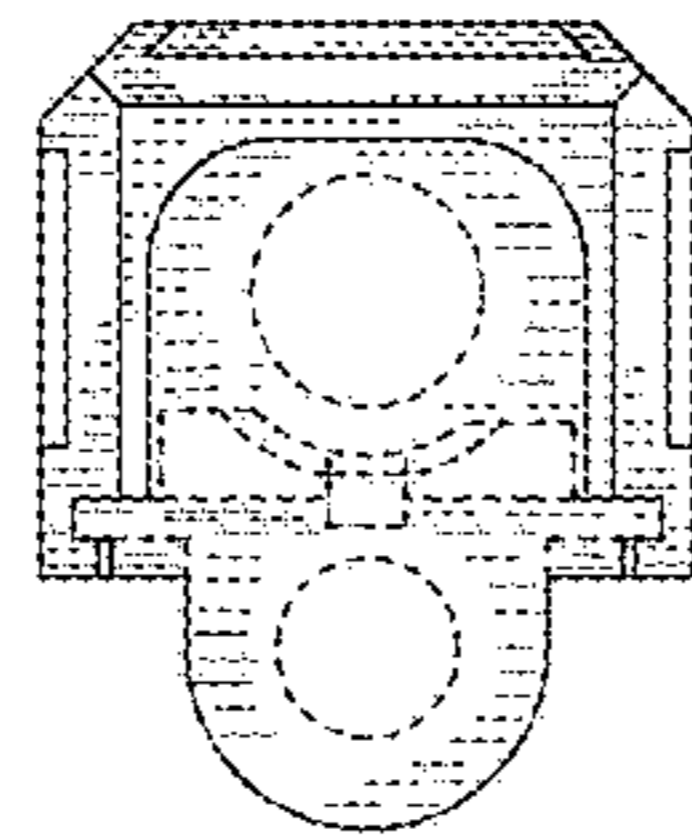


FIG. 7

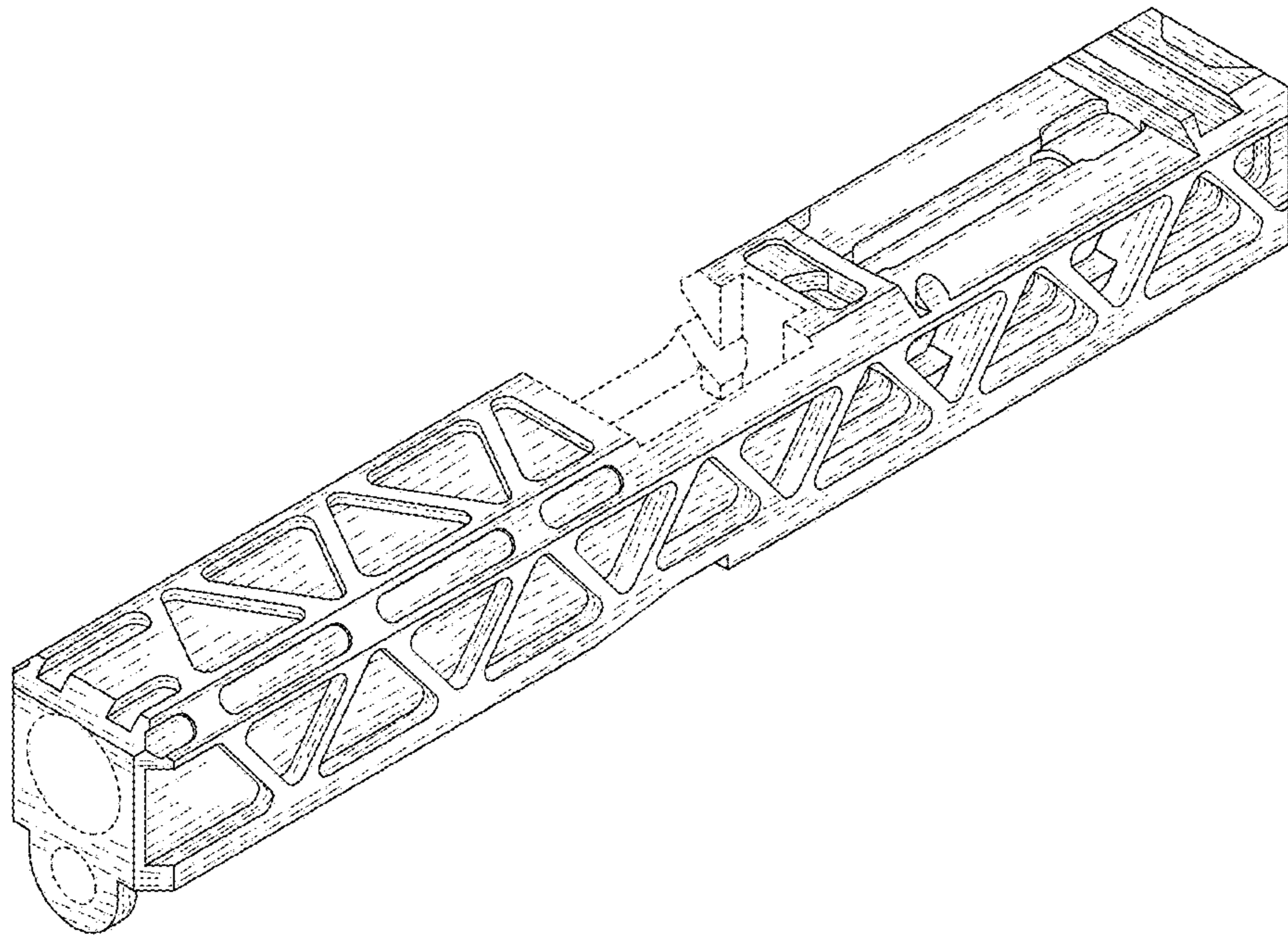


FIG. 8

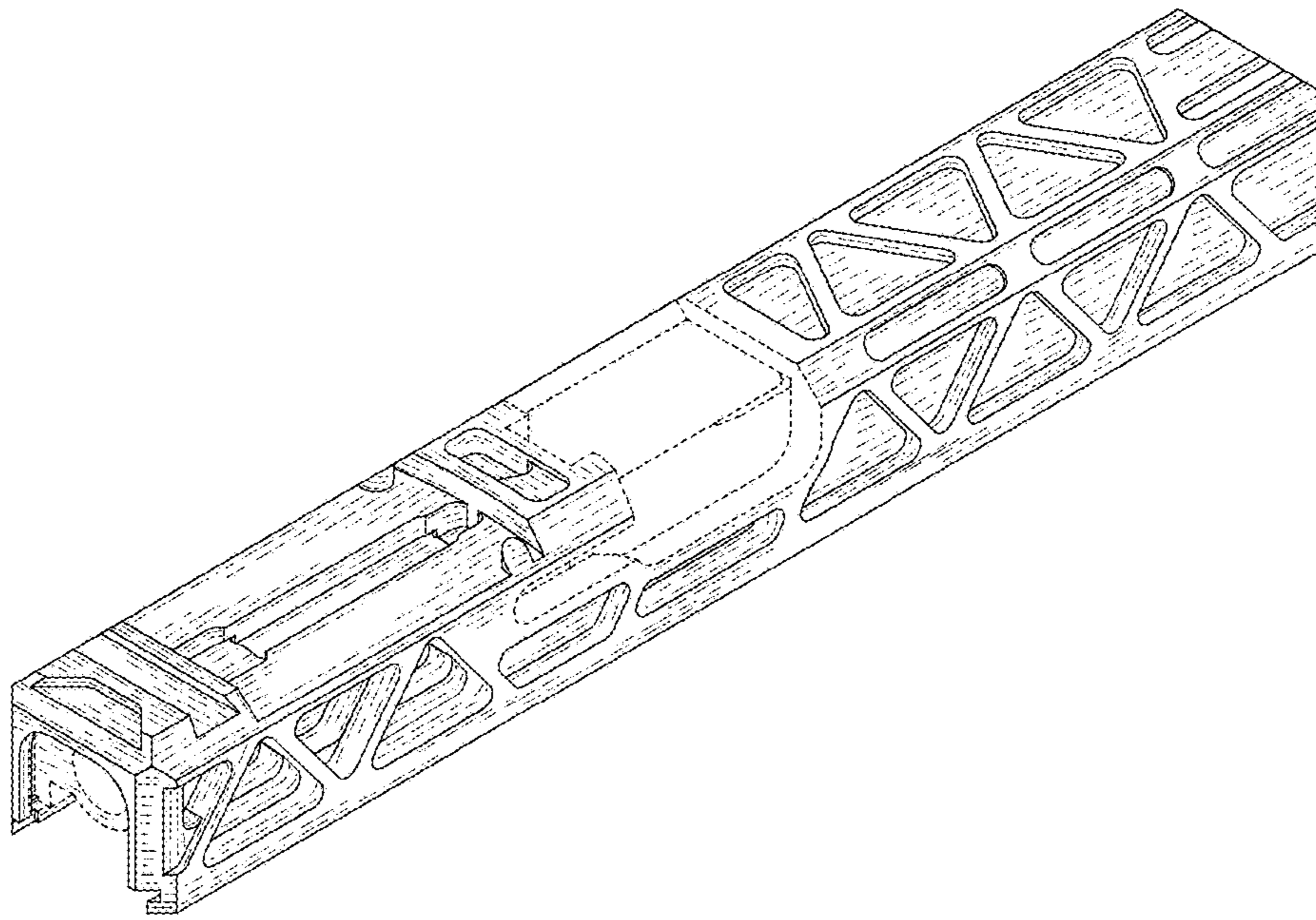


FIG. 9

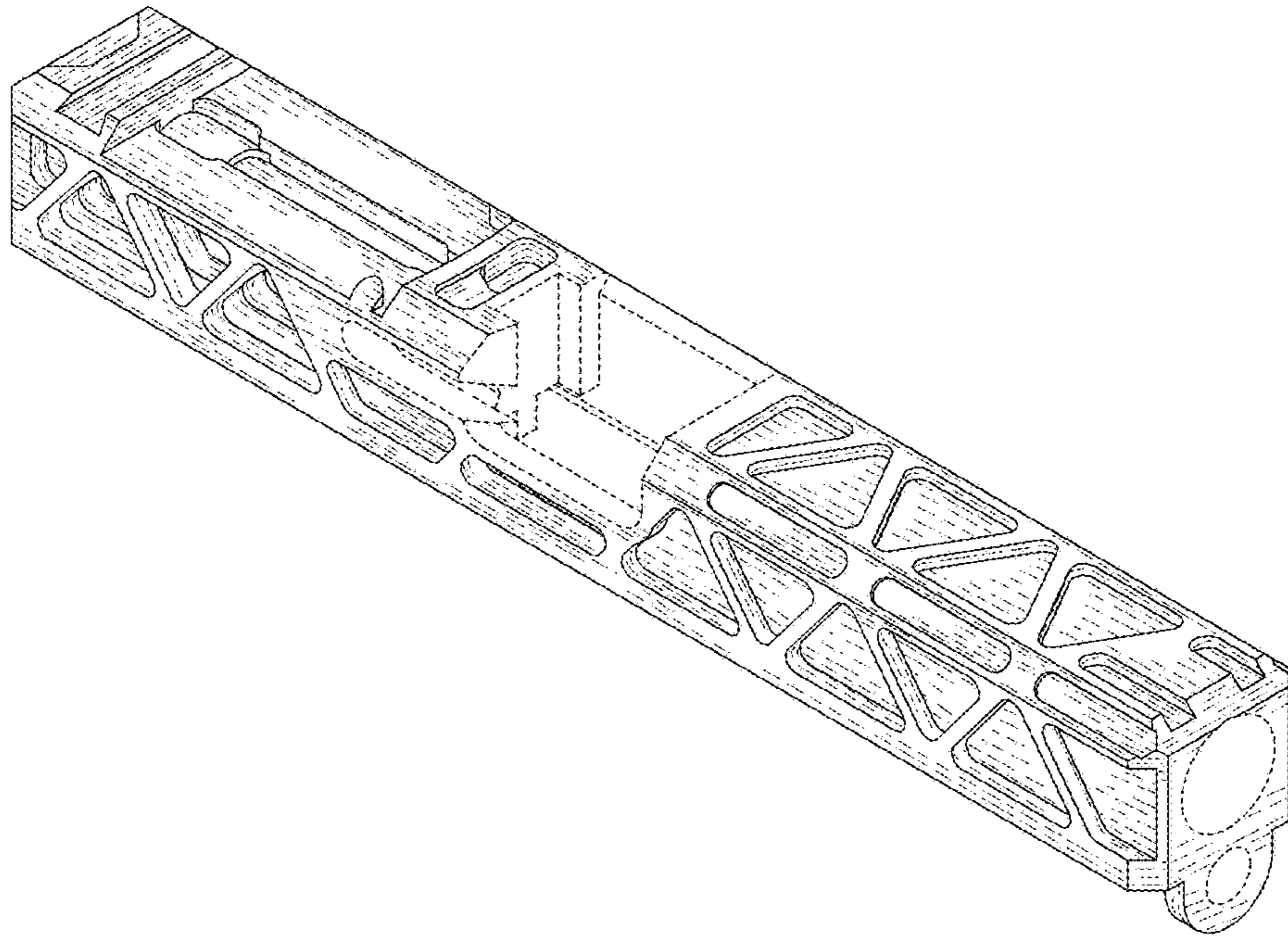


FIG. 10