



US00D870226S

(12) **United States Design Patent**  
**Mundy et al.**

(10) **Patent No.:** **US D870,226 S**  
(45) **Date of Patent:** **\*\* Dec. 17, 2019**

(54) **TENT**  
(71) Applicant: **Boutique Camping Supplies Limited,**  
Weybridge (GB)  
(72) Inventors: **Oliver Mundy,** Weybridge (GB); **Enzo**  
**Nezi,** Weybridge (GB)  
(73) Assignee: **Boutique Camping Supplies Limited,**  
Weybridge, Surrey (GB)  
(\*\*) Term: **15 Years**

4,072,158 A \* 2/1978 O'Brien ..... E04H 15/00  
135/116  
4,237,914 A \* 12/1980 Gantz ..... E04H 15/006  
135/118  
4,519,410 A \* 5/1985 Kubacki ..... E04H 15/54  
135/93  
4,582,062 A \* 4/1986 Albini ..... A61N 5/0614  
135/121  
4,862,906 A \* 9/1989 Jordon ..... A45F 3/22  
135/95  
D326,133 S \* 5/1992 Lynch ..... D21/837  
6,257,263 B1 \* 7/2001 Brereton ..... E04H 15/40  
135/125

(21) Appl. No.: **29/694,331**

(22) Filed: **Jun. 10, 2019**

**Related U.S. Application Data**

(63) Continuation of application No. 29/619,740, filed on  
Oct. 2, 2017.

(30) **Foreign Application Priority Data**

Apr. 6, 2017 (EM) ..... 003844356-001  
Apr. 8, 2017 (GB) ..... 6010695

(51) **LOC (12) Cl.** ..... **21-04**

(52) **U.S. Cl.**  
USPC ..... **D21/834**

(58) **Field of Classification Search**  
USPC ..... D21/834, 835, 836, 837, 838, 839, 840  
CPC ..... E04H 15/00; E04H 15/02; E04H 15/18;  
E04H 15/28; E04H 15/32; E04H 15/34;  
E04H 15/40; E04H 15/42; E04H 15/425;  
E04H 15/50  
See application file for complete search history.

(56) **References Cited**

**U.S. PATENT DOCUMENTS**

D238,313 S \* 12/1975 Wright ..... D21/834  
4,026,312 A \* 5/1977 Beavers ..... E04H 15/48  
135/120.4

(Continued)

*Primary Examiner* — Manpreet S Matharu

*Assistant Examiner* — Keith J Wilson

(74) *Attorney, Agent, or Firm* — Benesch, Friedlander,  
Coplan & Aronoff LLP

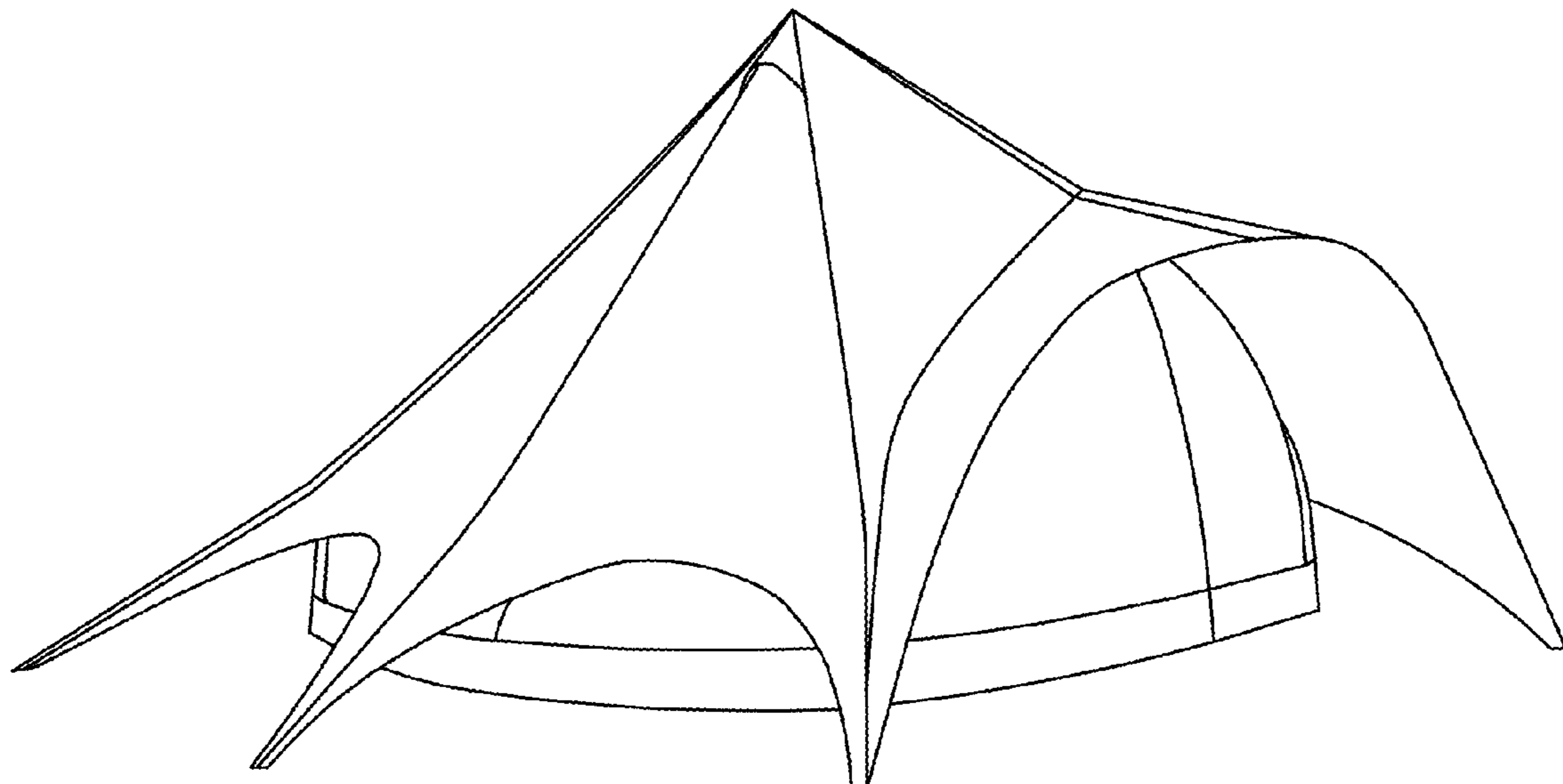
(57) **CLAIM**

The ornamental design for a tent, as shown and described.

**DESCRIPTION**

FIG. 1 is a front perspective view of a tent, taken at an angle toward one side, showing the design.  
FIG. 2 is a front perspective view of the tent, taken at an angle toward an opposite side.  
FIG. 3 is a front elevational view of the tent.  
FIG. 4 is a rear elevational view of the tent.  
FIG. 5 is side perspective view of the tent, taken from above.  
FIG. 6 is a side perspective view similar to FIG. 5, taken from an opposite side; and,  
FIG. 7 is a top plan view of the tent.  
The broken lines shown in the drawings, if any, illustrate portions of the tent that form no part of the claimed design.

**1 Claim, 4 Drawing Sheets**



(56)

**References Cited**

U.S. PATENT DOCUMENTS

D689,157 S \* 9/2013 Lucero ..... D21/834  
D779,611 S \* 2/2017 Seddon ..... D21/834

\* cited by examiner

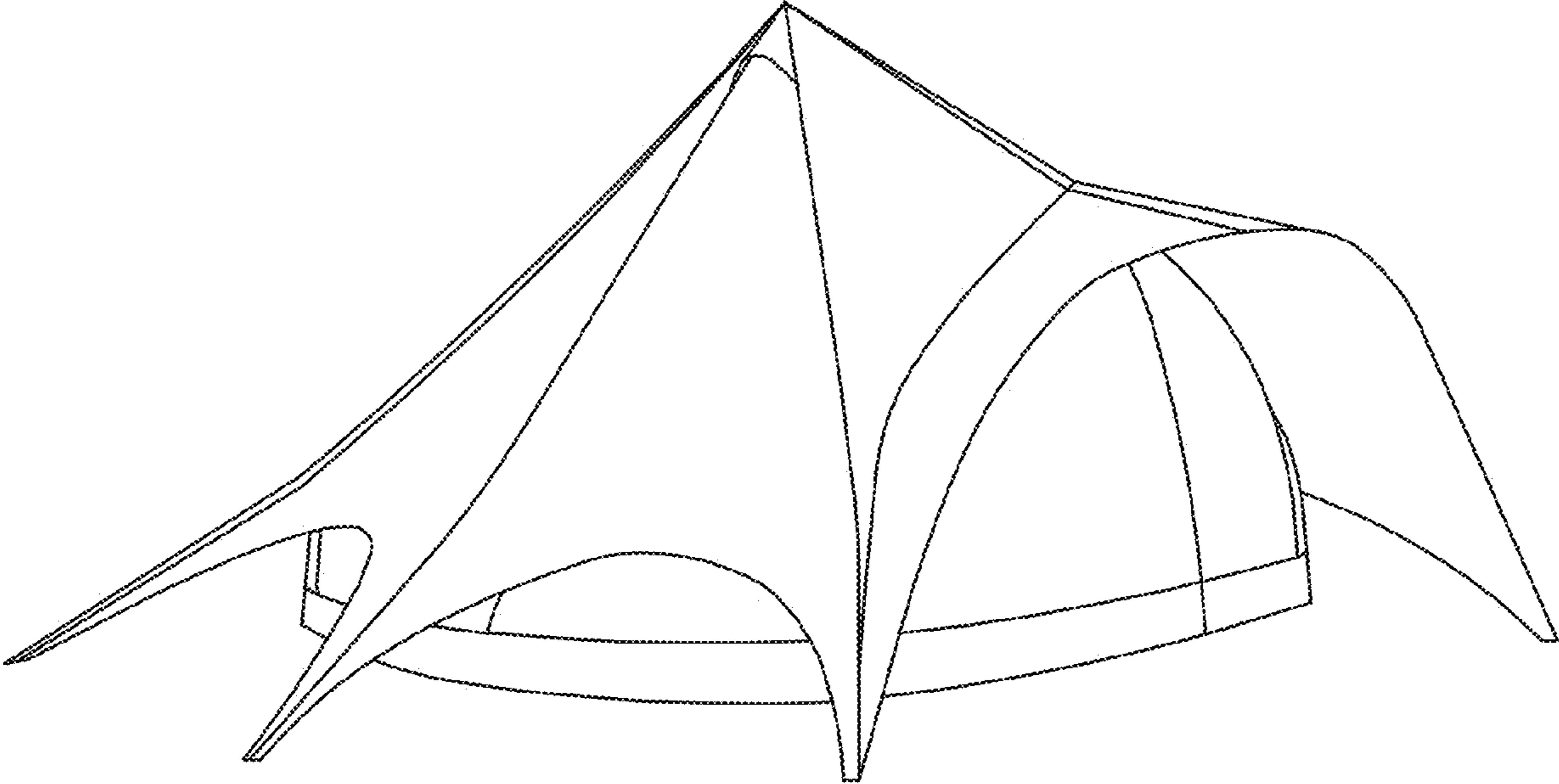


FIG. 1

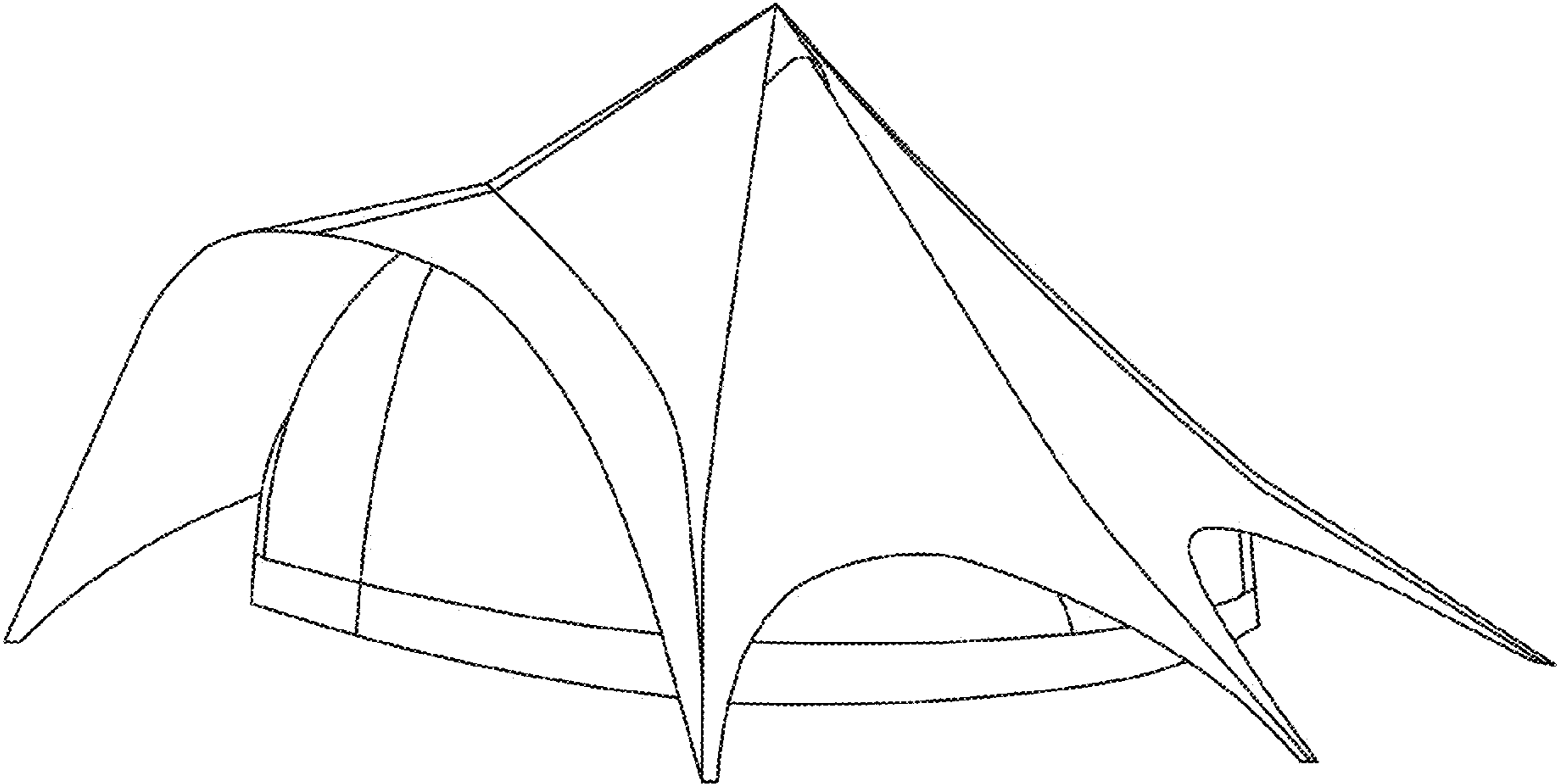


FIG. 2

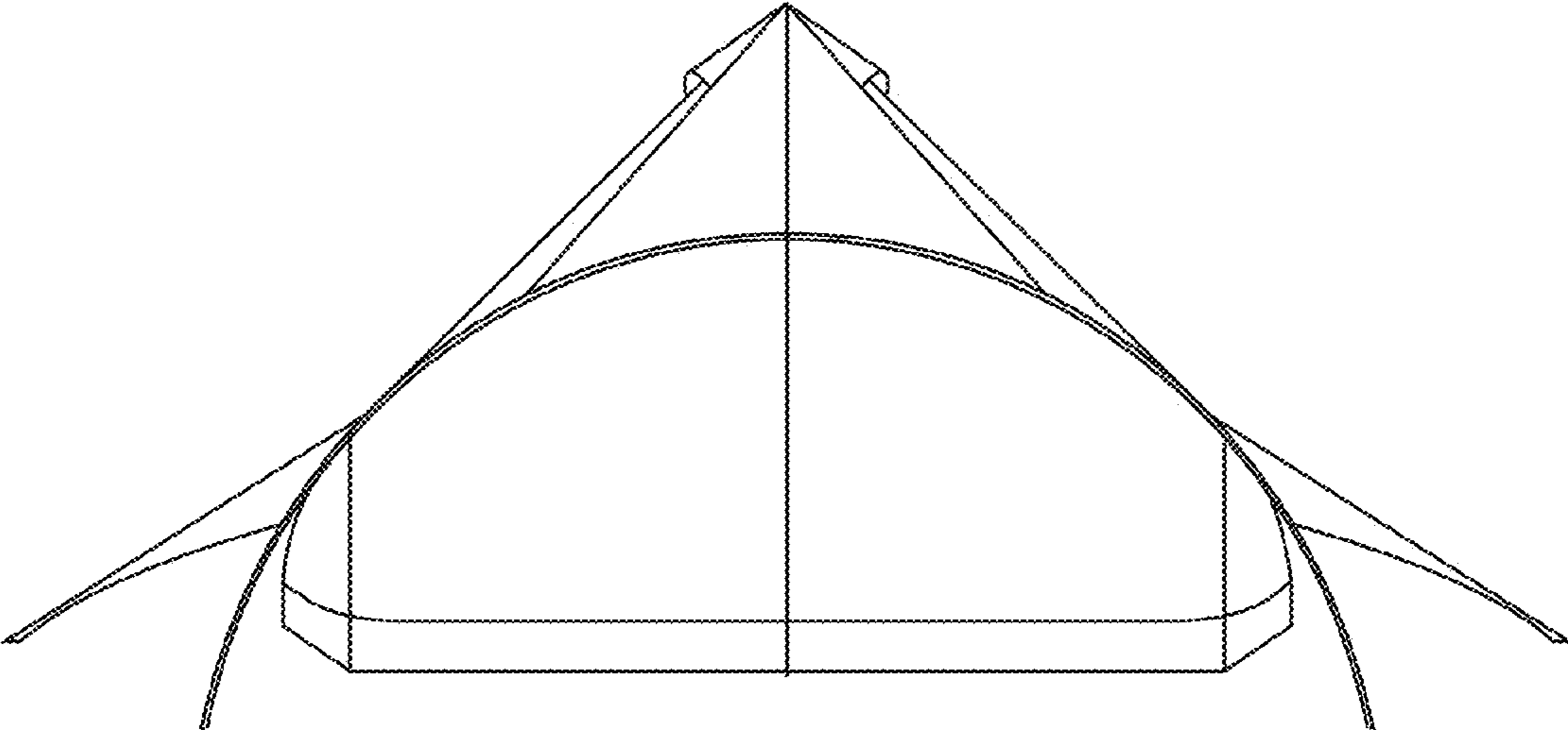


FIG. 3

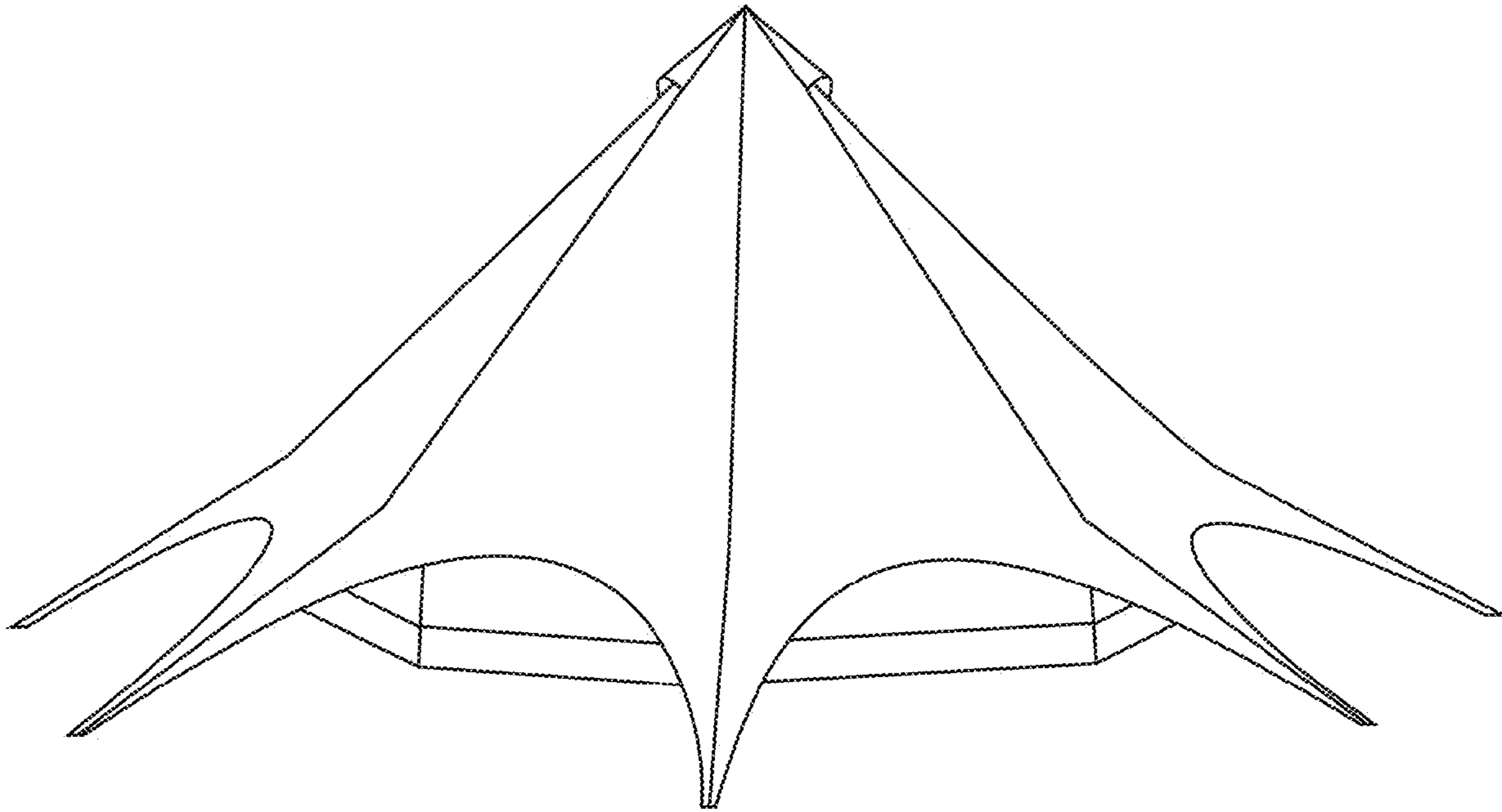


FIG. 4

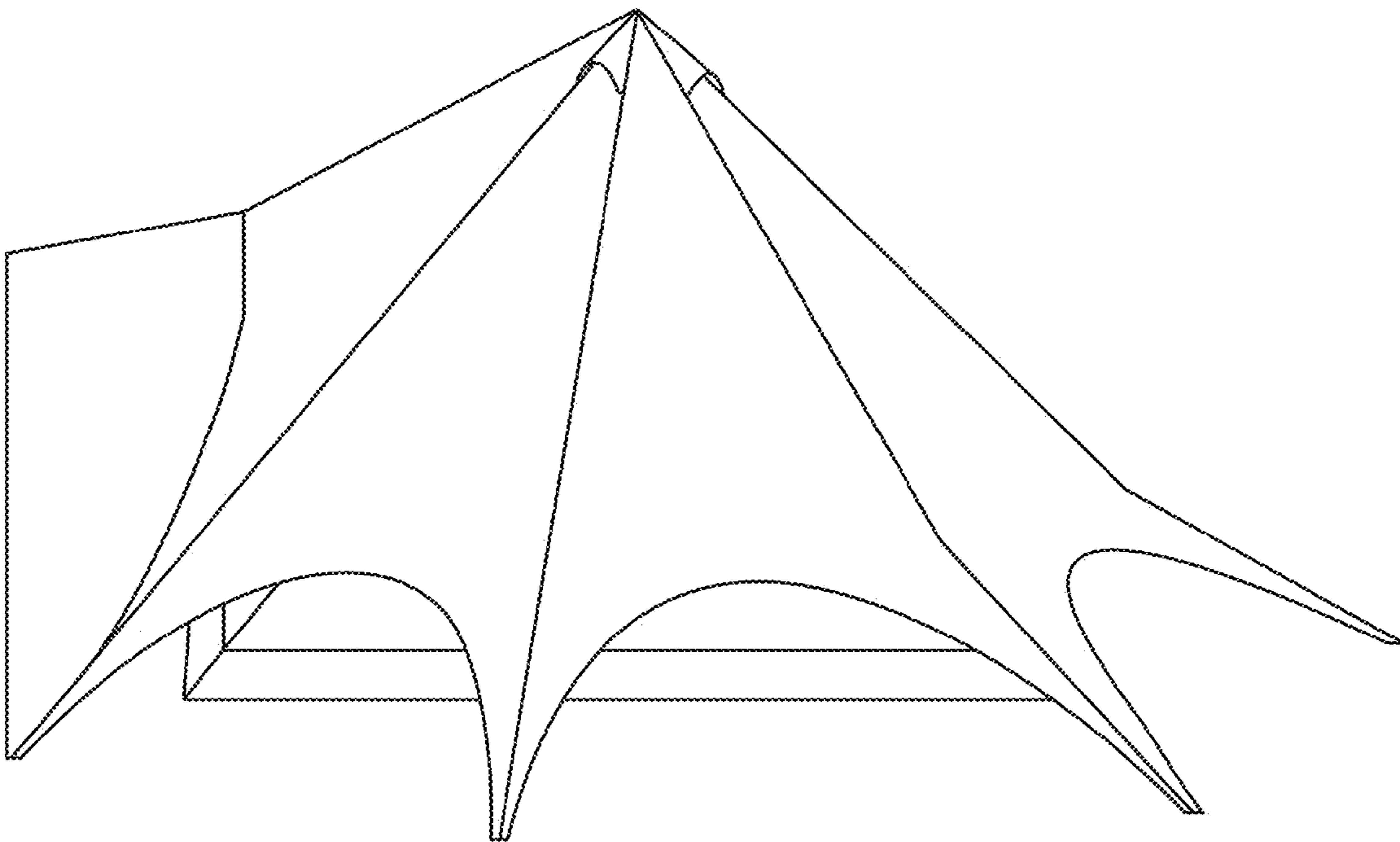


FIG. 5

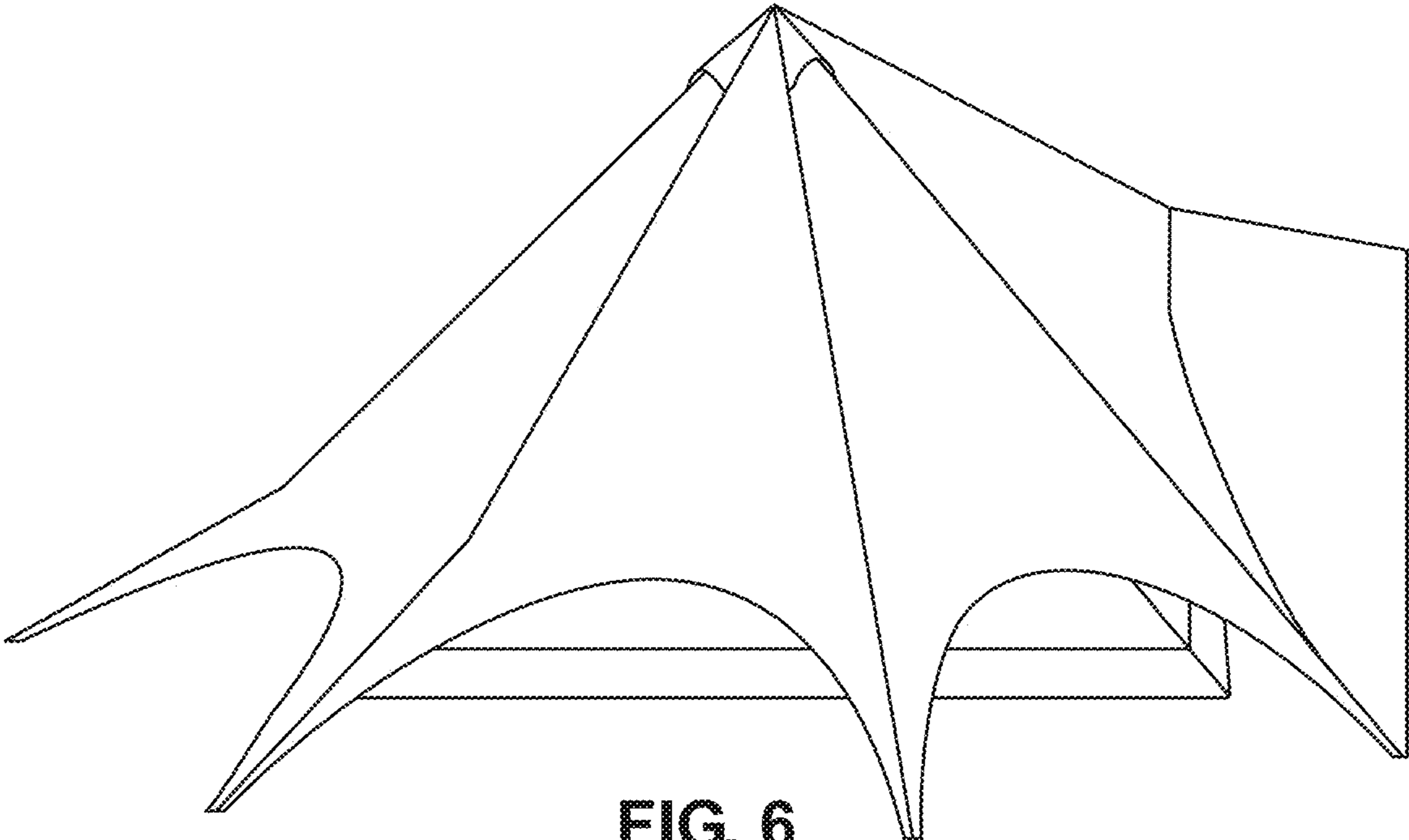


FIG. 6

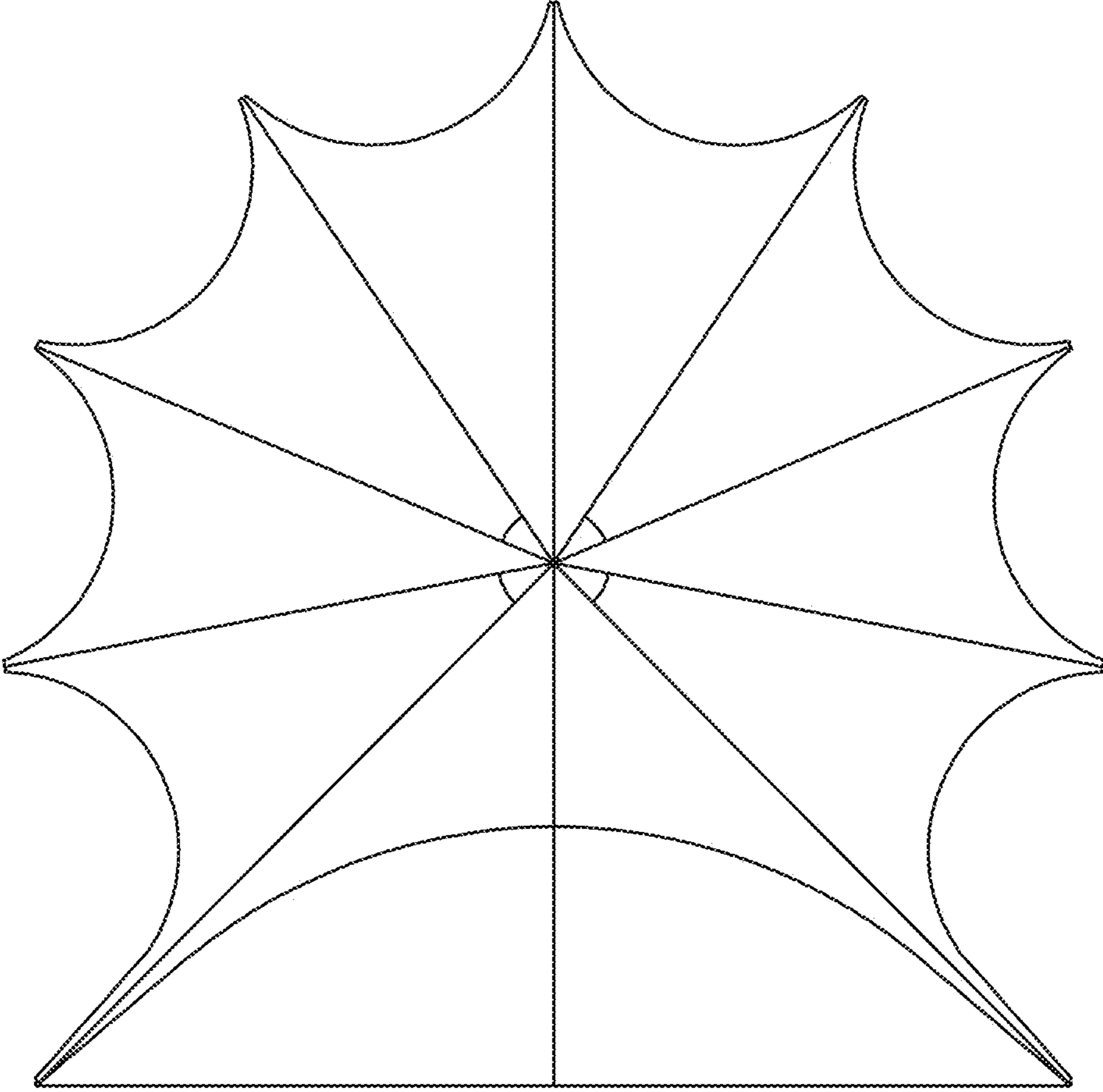


FIG. 7