



US00D870224S

(12) **United States Design Patent** (10) **Patent No.:** **US D870,224 S**  
**Arias et al.** (45) **Date of Patent:** **\*\* Dec. 17, 2019**

(54) **FLOTATION DEVICE**

FOREIGN PATENT DOCUMENTS

(71) Applicant: **Swimways Corporation**, Virginia Beach, VA (US)

GB 2108435 B 4/1985  
JP 48-24199 7/1971

(72) Inventors: **David A. Arias**, Virginia Beach, VA (US); **Timothy James Clemens**, Virginia Beach, VA (US); **Theresa M. Bannon**, Virginia Beach, VA (US); **Laurel A. Roney**, Virginia Beach, VA (US); **David J. Crowe**, Norfolk, VA (US)

*Primary Examiner* — Zenia I Bennett  
(74) *Attorney, Agent, or Firm* — Cooley LLP

(57) **CLAIM**

The ornamental design for a flotation device, as shown and described.

(73) Assignee: **Swimways Corporation**, Virginia Beach, VA (US)

**DESCRIPTION**

(\*\*) Term: **15 Years**

(21) Appl. No.: **29/640,485**

(22) Filed: **Mar. 14, 2018**

FIG. 1 is a front perspective view of a flotation device, according to an embodiment;  
FIG. 2 is a top view of the flotation device illustrated in FIG. 1;  
FIG. 3 is a bottom view of the flotation device illustrated in FIG. 1;  
FIG. 4 is a right side view of the flotation device illustrated in FIG. 1;  
FIG. 5 is a left side view of the flotation device illustrated in FIG. 1;  
FIG. 6 is a rear view of the flotation device illustrated in FIG. 1;  
FIG. 7 is a front view of the flotation device illustrated in FIG. 1; and,  
FIG. 8 is a cross-sectional view of the flotation device of FIG. 1 taken along line 24-24 in FIG. 6.

**Related U.S. Application Data**

(63) Continuation of application No. 15/914,685, filed on Mar. 7, 2018.

(51) **LOC (12) Cl.** ..... **21-02**

(52) **U.S. Cl.**  
USPC ..... **D21/803**

(58) **Field of Classification Search**  
USPC ..... D21/769-770, 801, 803, 809; D12/5, 6, D12/316; D6/392, 595, 596, 601, 604, D6/605

(Continued)

The broken lines are directed to environment and are for illustrative purposes only and form no part of the claimed design. The thin solid lines illustrate the contour of the claimed design and are not a claimed surface pattern. The dot-dash lines define the boundary of the claimed design and do not form part of the claimed design.

The cross-sectional view of FIG. 8 is provided to illustrate and help clarify the contour and/or configuration of the exterior design, and is not intended to illustrate interior features that are excluded from the claimed design. Any interior features that are illustrated are provided to help clarify the exterior design only, and such interior features form no part of the claimed design.

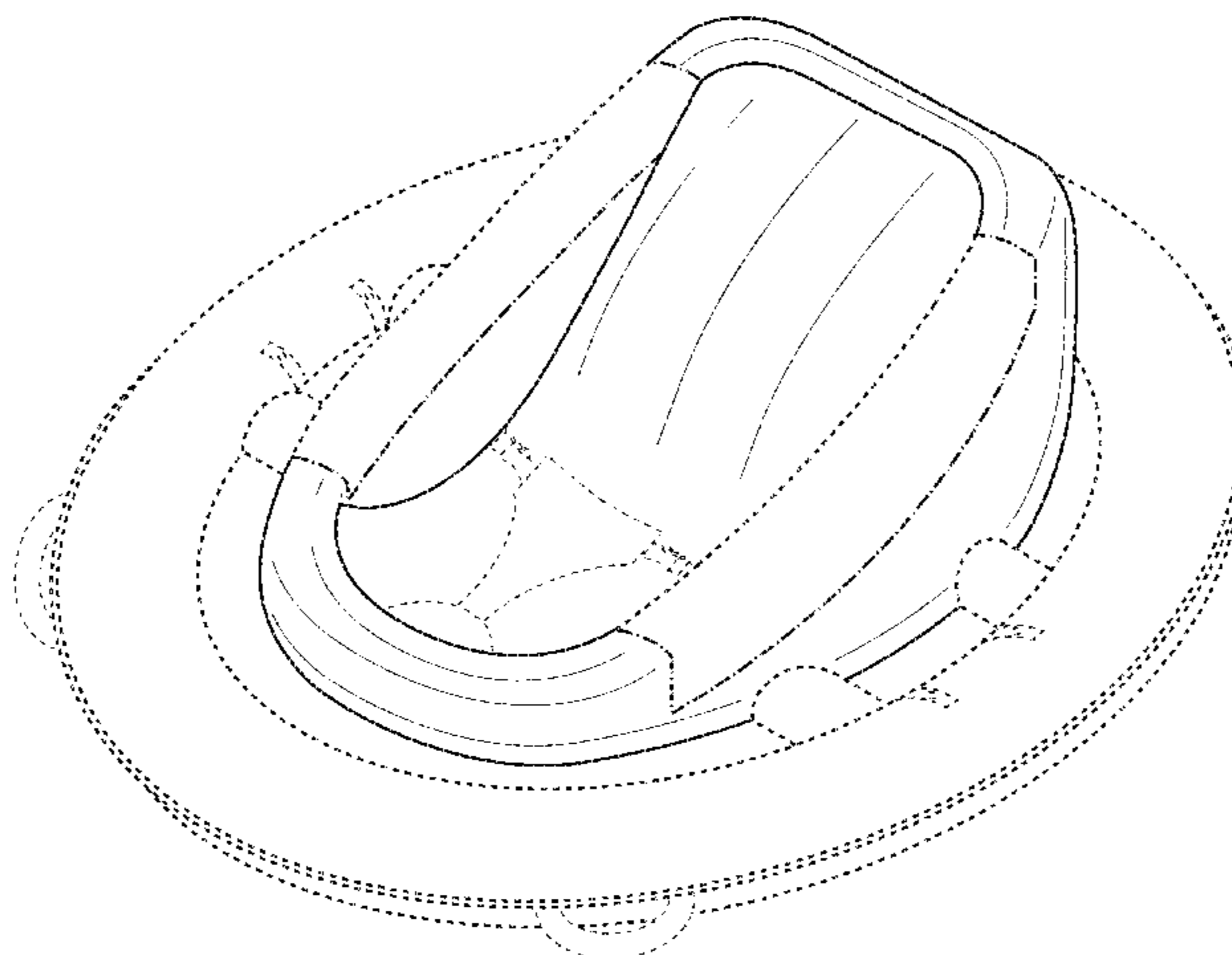
(56) **References Cited**

U.S. PATENT DOCUMENTS

3,740,095 A 6/1973 Nail  
3,860,976 A 1/1975 Suyama

(Continued)

**1 Claim, 8 Drawing Sheets**



(58) **Field of Classification Search**  
 CPC ..... B63B 35/00; B63B 35/73; B63B 35/74  
 See application file for complete search history.

(56) **References Cited**

U.S. PATENT DOCUMENTS

4,973,278	A	11/1990	Williams
5,186,667	A	2/1993	Wang
5,334,067	A	8/1994	Henry et al.
5,409,411	A	4/1995	Schrieber
D409,971	S *	5/1999	Elsholz ..... D12/316
6,485,344	B2	11/2002	Arias
D469,494	S	1/2003	Arias
D469,837	S	2/2003	Arias
D469,838	S	2/2003	Arias
D471,614	S	3/2003	Arias
6,589,089	B1	7/2003	Glass et al.
6,908,353	B2	6/2005	Zheng
6,971,936	B2	12/2005	Le Gette et al.
7,008,281	B2	3/2006	Ketko
7,097,524	B2	8/2006	Arias
7,134,930	B2	11/2006	Arias
7,147,528	B2	12/2006	Arias
7,210,976	B2	5/2007	Gordon

D556,284	S *	11/2007	Peterson ..... D21/803
7,335,080	B2	2/2008	Arias
7,500,893	B2	3/2009	Arias
D610,216	S	2/2010	Le Gette et al.
7,727,038	B2	6/2010	Le Gette et al.
7,811,145	B2	10/2010	Arias
D642,232	S	7/2011	Le Gette et al.
8,057,272	B1	11/2011	Wray et al.
8,066,540	B2	11/2011	Le Gette et al.
8,079,888	B2	12/2011	Arias
D679,770	S *	4/2013	Berenson ..... D21/803
D686,684	S	7/2013	Wolfenbarger
8,523,623	B2	9/2013	Arias
8,657,640	B2	2/2014	Le Gette et al.
D719,233	S *	12/2014	Maria ..... D21/803
D725,209	S *	3/2015	Wampold ..... D21/803
D744,052	S *	11/2015	Rubey ..... D21/803
9,221,526	B2	12/2015	Arias
D765,200	S	8/2016	Gershon
9,630,687	B2	4/2017	Le Gette et al.
D806,197	S	12/2017	Gershon
9,849,949	B2	12/2017	Arias
2017/0188713	A1	7/2017	Le Gette et al.
2018/0263373	A1	9/2018	Arias et al.
2018/0265175	A1	9/2018	Arias

\* cited by examiner

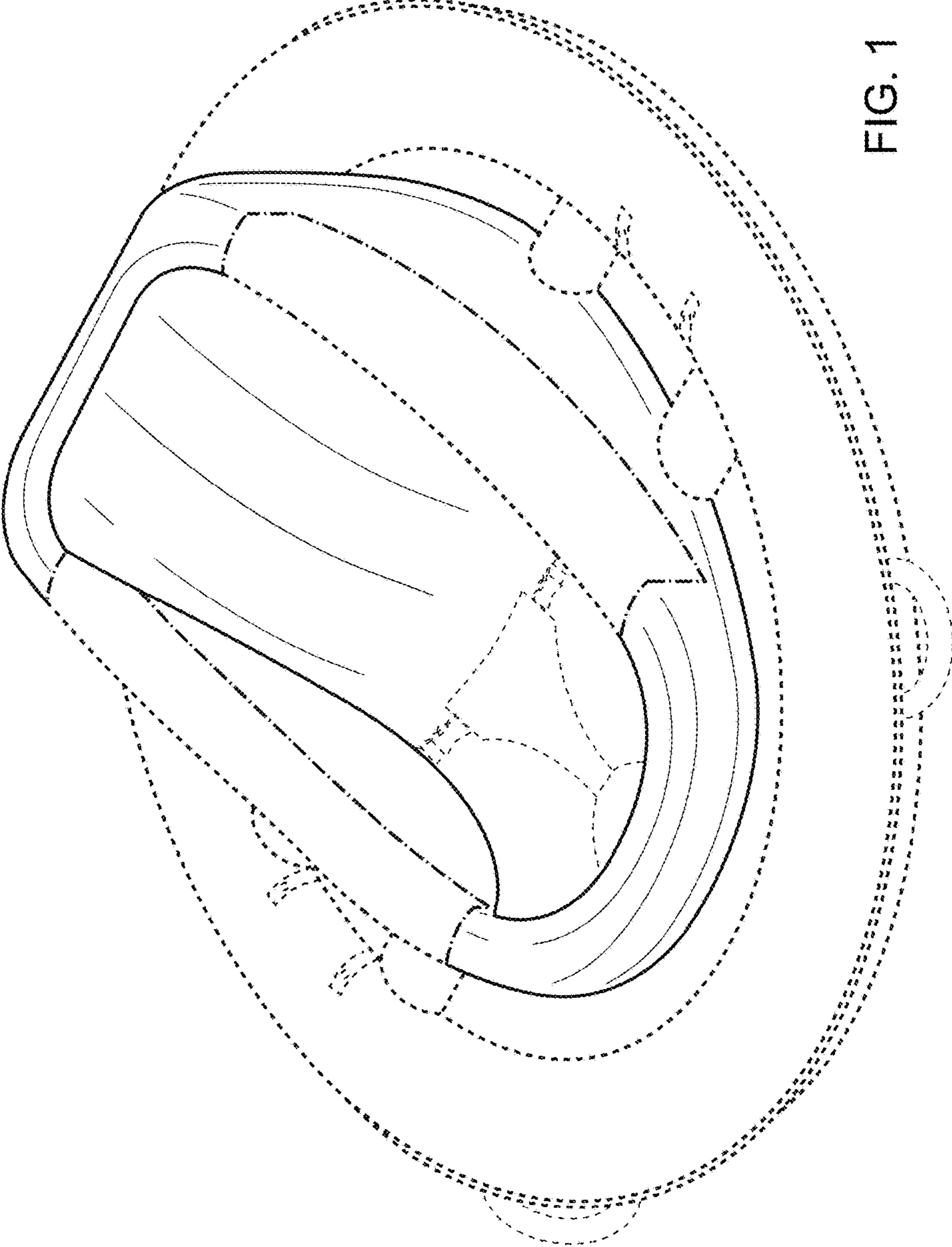


FIG. 1

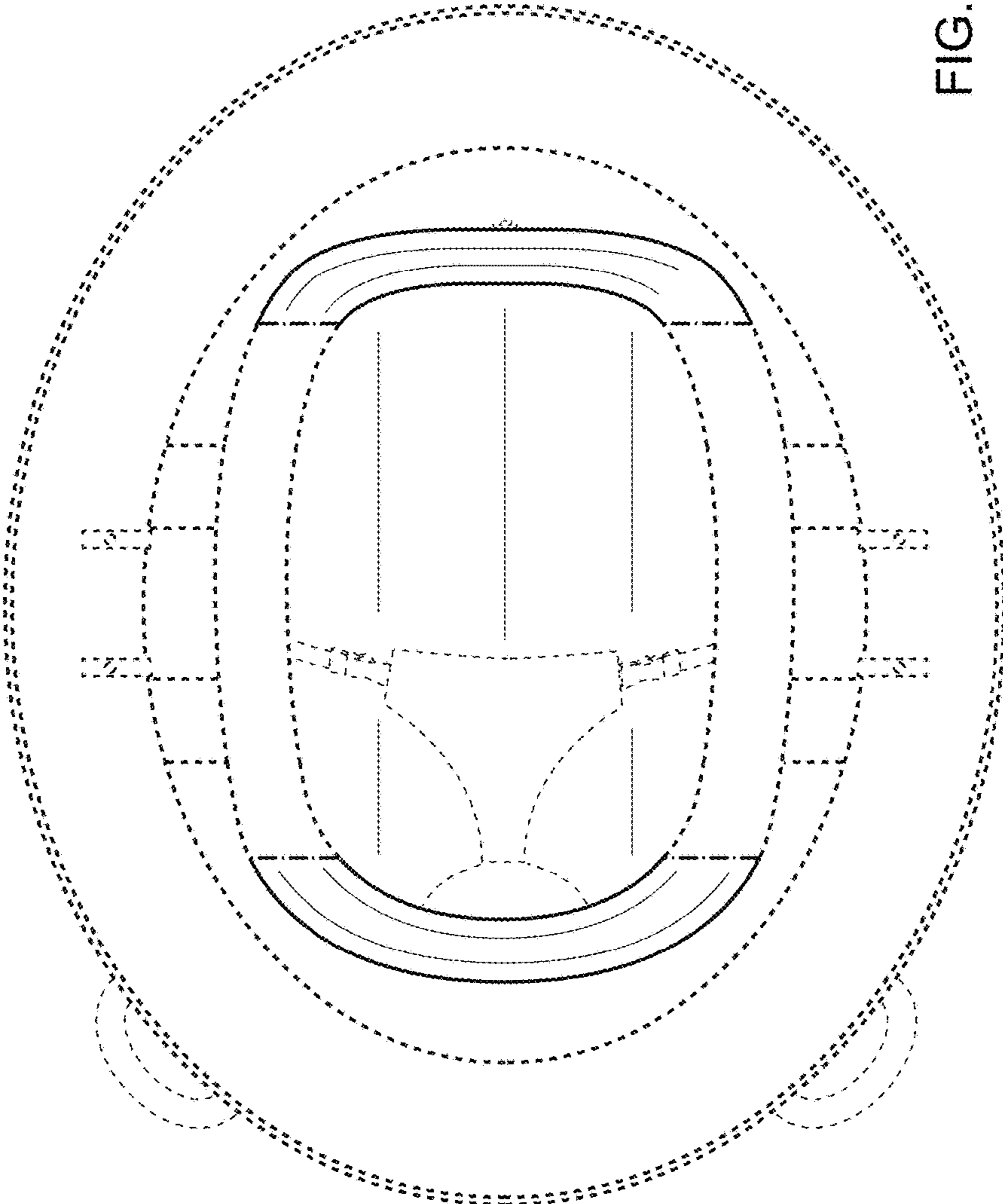


FIG. 2

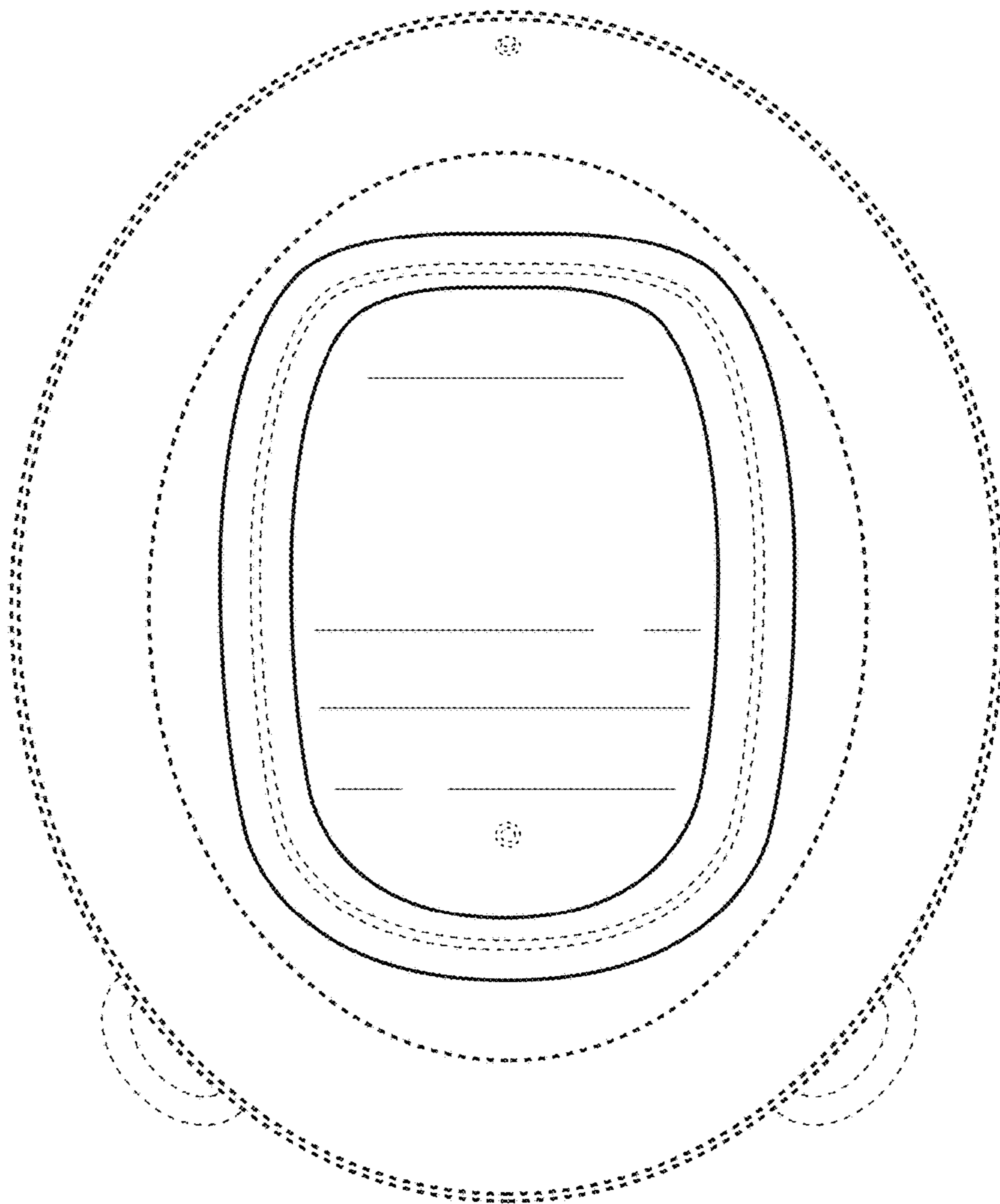


FIG. 3

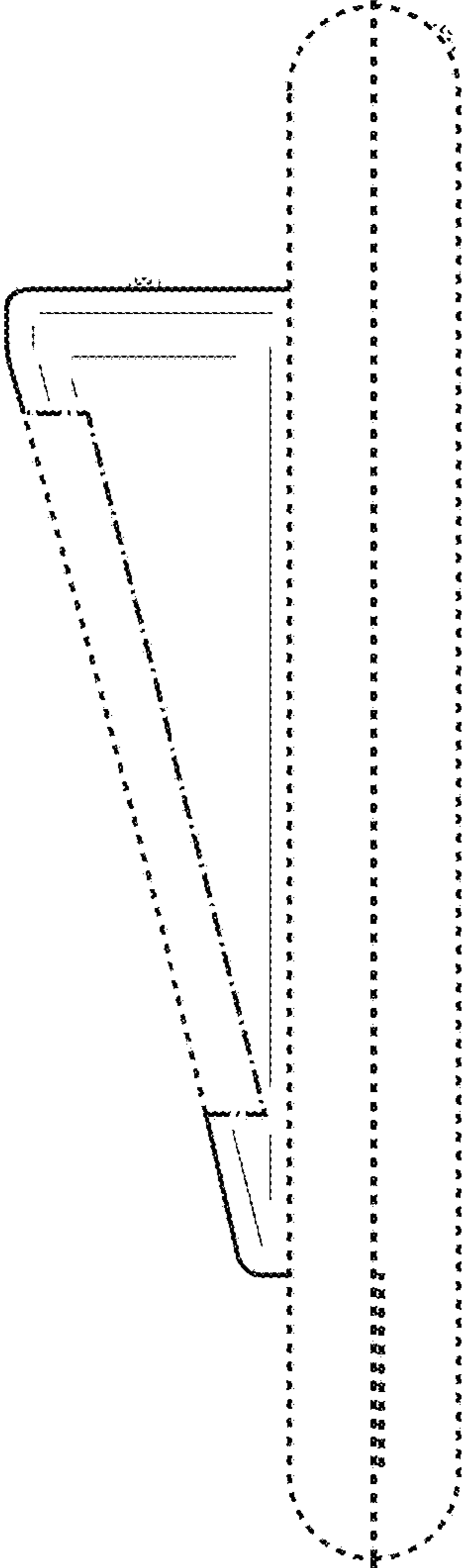


FIG. 4

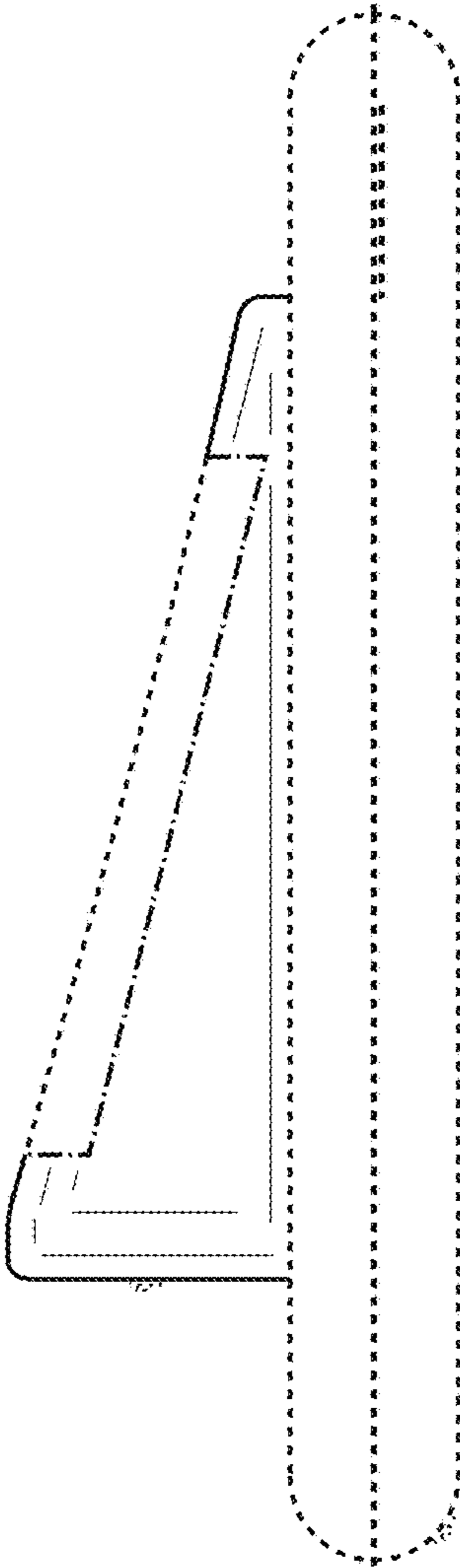


FIG. 5

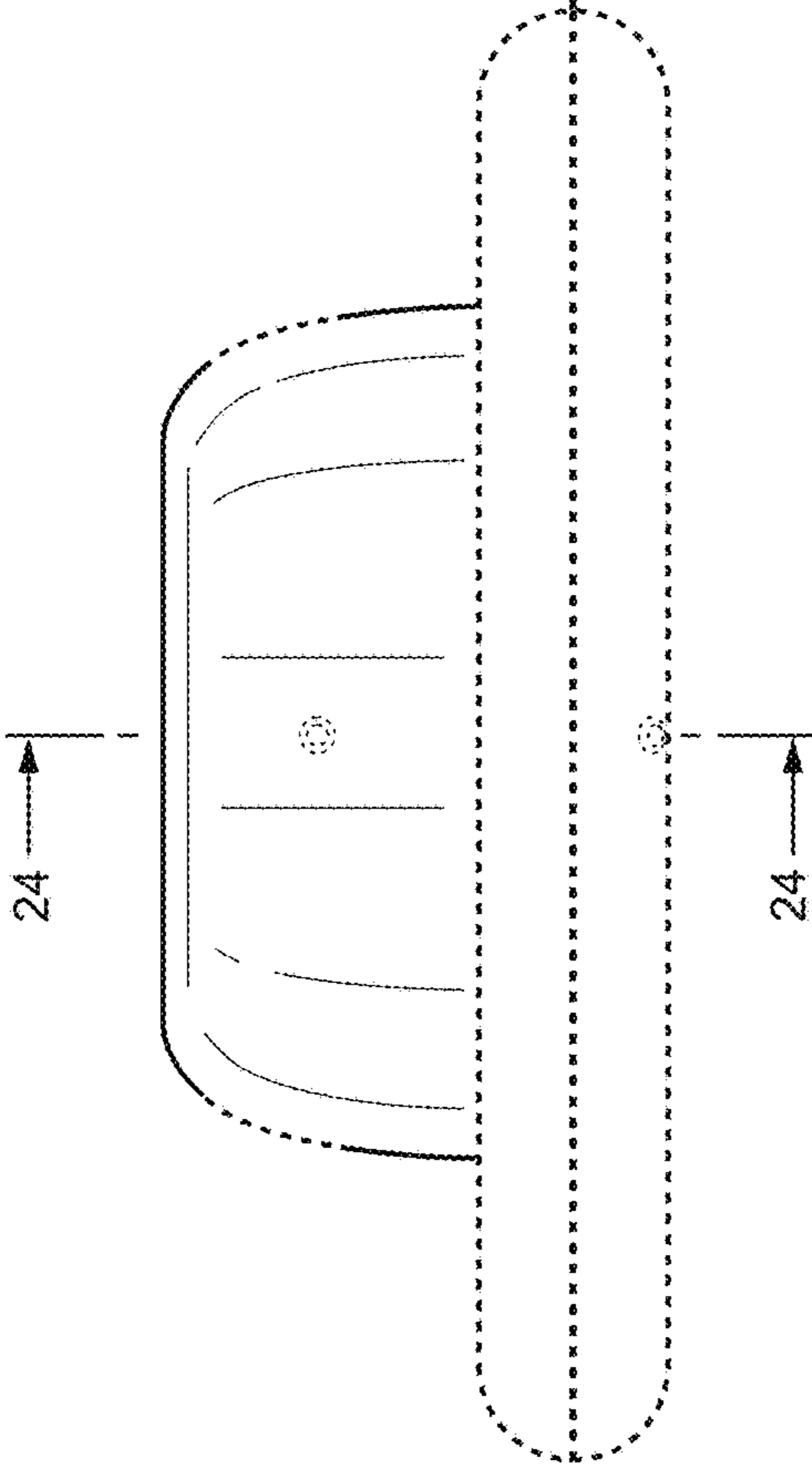


FIG. 6



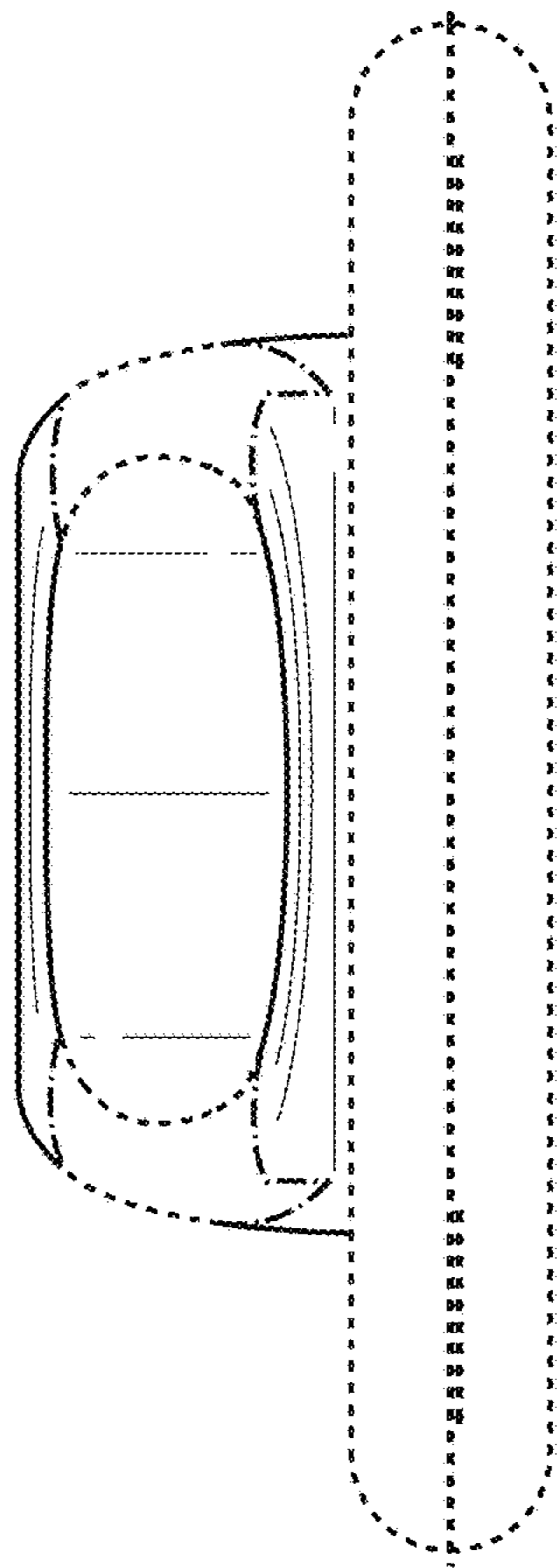


FIG. 7

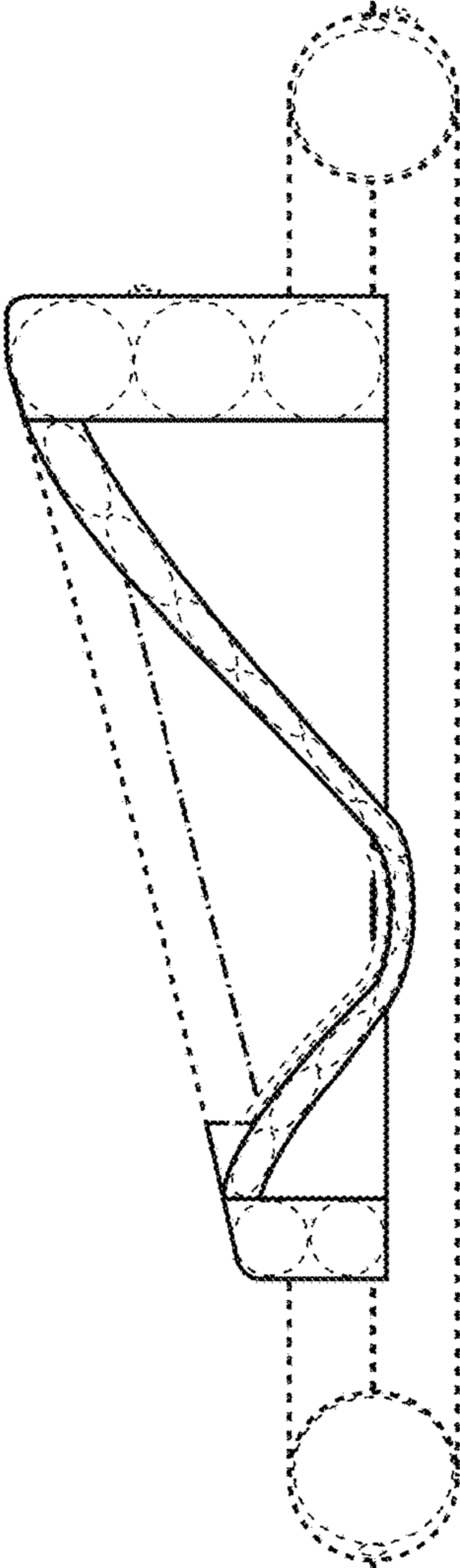


FIG. 8