



US00D870223S

(12) **United States Design Patent** (10) **Patent No.:** **US D870,223 S**  
**Gray** (45) **Date of Patent:** **\*\* Dec. 17, 2019**

(54) **EXERCISE TRAINING BAG**

- (71) Applicant: **GLOBAL SPORTS INNOVATION LTD**, Selkirkshire (GB)
- (72) Inventor: **Richard John Gray**, Selkirkshire (GB)
- (73) Assignee: **Global Sports Innovation LTD**, Galashiels (GB)
- (\*\*) Term: **15 Years**
- (21) Appl. No.: **29/599,933**
- (22) Filed: **Apr. 7, 2017**

(30) **Foreign Application Priority Data**

Oct. 10, 2016	(GB)	6001225
Oct. 10, 2016	(GB)	6001226
Oct. 10, 2016	(GB)	6001227
Oct. 10, 2016	(GB)	6001228
Oct. 10, 2016	(GB)	6001229
Oct. 10, 2016	(GB)	6001230
Oct. 10, 2016	(GB)	6001232
Oct. 10, 2016	(GB)	6001233
Oct. 10, 2016	(GB)	6001234
Oct. 25, 2016	(GB)	6002018
Oct. 25, 2016	(GB)	6002019

(Continued)

(51) **LOC (12) Cl.** ..... **21-02**

(52) **U.S. Cl.**  
USPC ..... **D21/798**; D21/787; D21/788; D21/698

(58) **Field of Classification Search**  
USPC ..... D8/300; D7/625, 524; D3/246;  
D29/100; D28/93; D24/211; D21/803,

(Continued)

(56) **References Cited**

U.S. PATENT DOCUMENTS

- 2,574,046 A \* 11/1951 Logan ..... A63B 69/26  
2/455
- D169,243 S \* 4/1953 Doherty ..... 482/86

(Continued)

OTHER PUBLICATIONS

Gray Tackle System by GSI dated no date given. Found online [Nov. 20, 2018] <https://www.globalsportsinnovation.com/products/gray-tackle-system/>.\*

(Continued)

*Primary Examiner* — Ryan Harvey

(74) *Attorney, Agent, or Firm* — Avery N. Goldstein;  
Blue Filament Law PLLC

(57) **CLAIM**

The ornamental design for an exercise training bag, as shown and described.

**DESCRIPTION**

FIG. 1 is a front elevated perspective view of an exercise training bag

FIG. 2 is a back elevated perspective view of the exercise training bag depicted in FIG. 1;

FIG. 3 is a front view of the exercise training bag depicted in FIG. 1;

FIG. 4 is a back view of the exercise training bag depicted in FIG. 1;

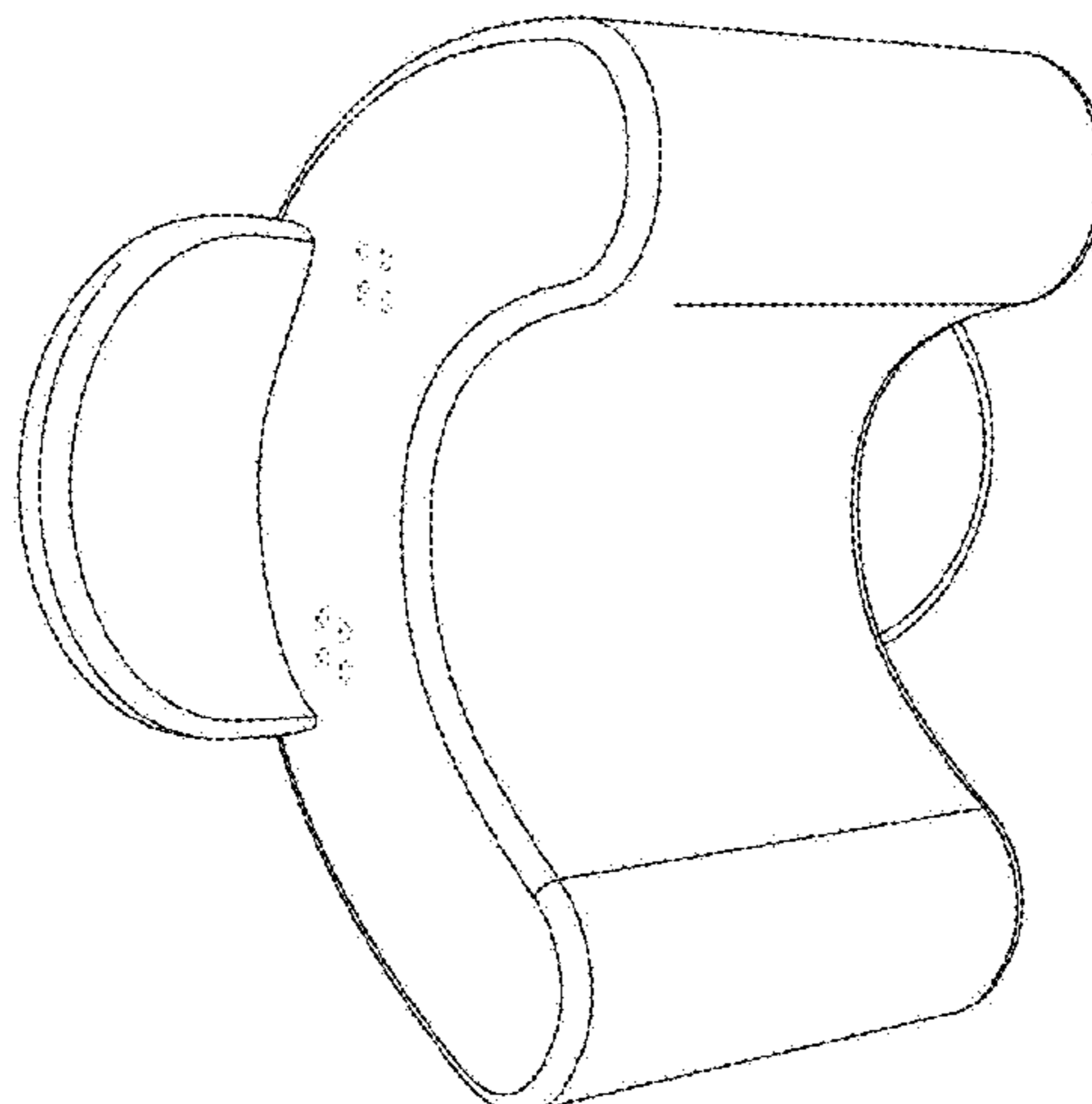
FIG. 5 is a right side view of the exercise training bag depicted in FIG. 1, where the left side view is a mirror image of FIG. 5;

FIG. 6 is a top view of the exercise training bag depicted in FIG. 1; and,

FIG. 7 is a bottom view of the exercise training bag depicted in FIG. 1.

The broken line showing of portions of the exercise training bag depicts portions that form no part of the claim.

**1 Claim, 7 Drawing Sheets**



(30) Foreign Application Priority Data

Oct. 25, 2016 (GB) ..... 6002020  
 Feb. 1, 2017 (GB) ..... 6006534

(58) Field of Classification Search

USPC ..... D21/798, 788, 787, 771, 698, 694, 686,  
 D21/682, 680, 662; D20/32, 31;  
 D19/59; D11/150; D1/106; 5/640;  
 482/93, 90, 88, 87, 85, 83, 55, 44, 41,  
 482/122, 108, 106; 473/444, 443;  
 450/59; 434/94, 256, 247; 223/67;  
 2/18; 190/109; 156/293; 132/53  
 CPC ... A63B 69/201; A63B 69/205; A63B 69/208;  
 A63B 69/345; A63B 69/20; A63B  
 69/004; A63B 69/34  
 See application file for complete search history.

(56) References Cited

U.S. PATENT DOCUMENTS

D171,589 S \* 3/1954 Gilman ..... D24/189  
 2,904,337 A \* 9/1959 Canning ..... A63B 69/345  
 473/444  
 D239,849 S \* 5/1976 Kopp ..... D21/788  
 4,546,966 A \* 10/1985 Segura ..... A63B 69/26  
 482/86  
 D286,170 S \* 10/1986 Colleuil ..... D21/662  
 5,328,425 A \* 7/1994 Knighton ..... A63B 69/201  
 482/86  
 D377,201 S \* 1/1997 Howard ..... D21/787  
 5,788,613 A \* 8/1998 Grimaldi ..... A63B 69/20  
 473/441  
 D402,725 S \* 12/1998 Anterhaus ..... D21/787  
 6,106,443 A \* 8/2000 Kuo ..... A63B 69/34  
 482/83  
 6,258,013 B1 \* 7/2001 Dabney ..... A63B 24/0021  
 482/83  
 6,390,958 B1 \* 5/2002 Chu ..... A63B 69/20  
 482/83  
 D489,846 S \* 5/2004 Singh ..... D29/100  
 6,827,674 B1 \* 12/2004 Ferry ..... A63B 69/201  
 482/83

RE39,372 E \* 11/2006 Kuo ..... D21/787  
 7,150,700 B2 \* 12/2006 MacKay ..... A63B 69/004  
 482/83  
 D632,353 S \* 2/2011 Ashton, III ..... D21/803  
 D669,954 S \* 10/2012 Rovere ..... D21/798  
 D672,414 S \* 12/2012 Januszek ..... D21/680  
 D678,444 S \* 3/2013 Jordan ..... D21/788  
 8,413,776 B1 \* 4/2013 Huff ..... A45C 13/00  
 150/113  
 D709,976 S \* 7/2014 Clauder ..... D21/787  
 8,876,671 B1 \* 11/2014 Hurtato, Jr. .... A63B 69/24  
 482/87  
 D731,012 S \* 6/2015 Gilman ..... D21/635  
 9,084,923 B2 \* 7/2015 Jackson ..... A63B 69/004  
 9,550,102 B1 \* 1/2017 George ..... A63B 69/0075  
 D788,986 S \* 6/2017 Gaynor ..... D29/100  
 D789,612 S \* 6/2017 Gaynor ..... D29/100  
 D813,334 S \* 3/2018 Rok ..... D21/771  
 9,999,798 B2 \* 6/2018 Hannula ..... A63B 21/065  
 2006/0100067 A1 \* 5/2006 Washburn ..... A63B 69/201  
 482/83  
 2007/0287600 A1 \* 12/2007 Prenatt ..... A63B 21/0603  
 482/41  
 2012/0283047 A1 \* 11/2012 DeTroia ..... A63B 69/201  
 473/442  
 2013/0310229 A1 \* 11/2013 Kovach ..... A63B 21/0004  
 482/106  
 2014/0045658 A1 \* 2/2014 Hallo ..... A63B 21/0724  
 482/93  
 2015/0273306 A1 \* 10/2015 Fu ..... A63B 69/201  
 482/87  
 2017/0203178 A1 \* 7/2017 Gray ..... A63B 69/345  
 2018/0001176 A1 \* 1/2018 Siklosi ..... A63B 69/208

OTHER PUBLICATIONS

Multi-Skills by GSI dated no date given. Found online [Nov. 20, 2018] <https://www.globalsportsinnovation.com/products/multi-skills-bag/>.\*

Rhino Rugby by Rhino Rug dated May 23, 2017. Found online [Nov. 20, 2018] <https://www.youtube.com/watch?v=sEB5JwGcqQw>.\*

\* cited by examiner

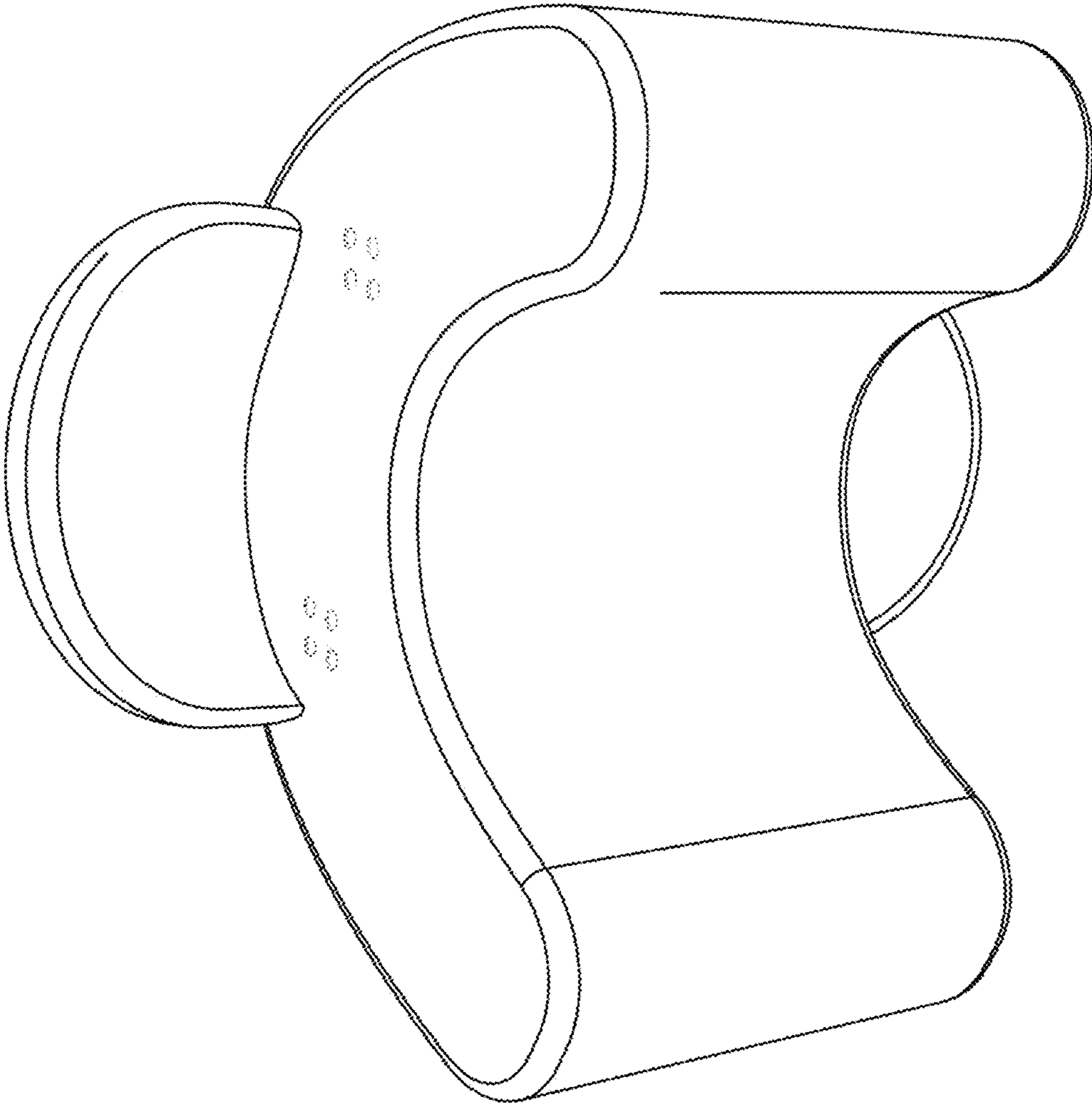


FIG. 1

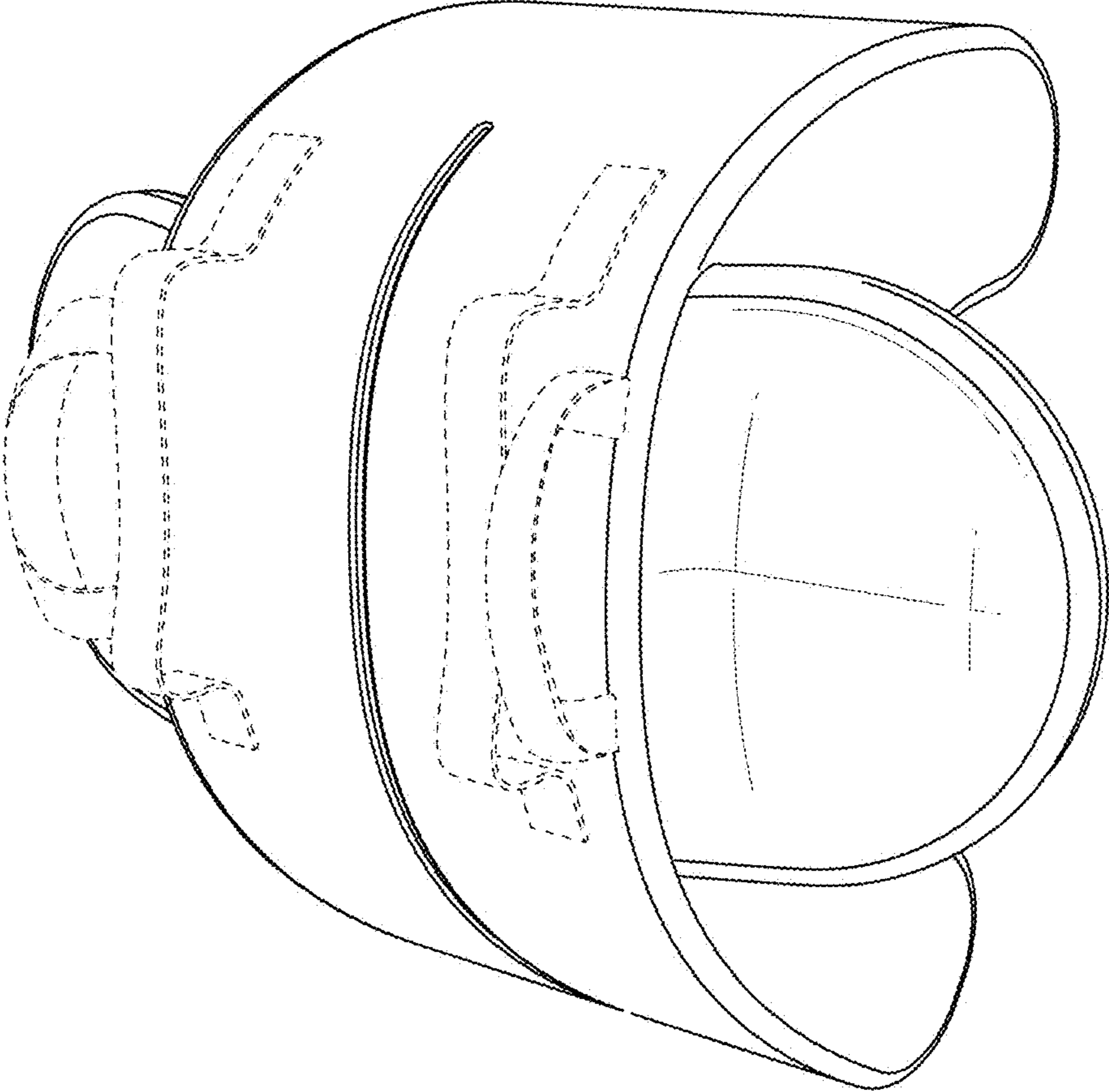


FIG. 2

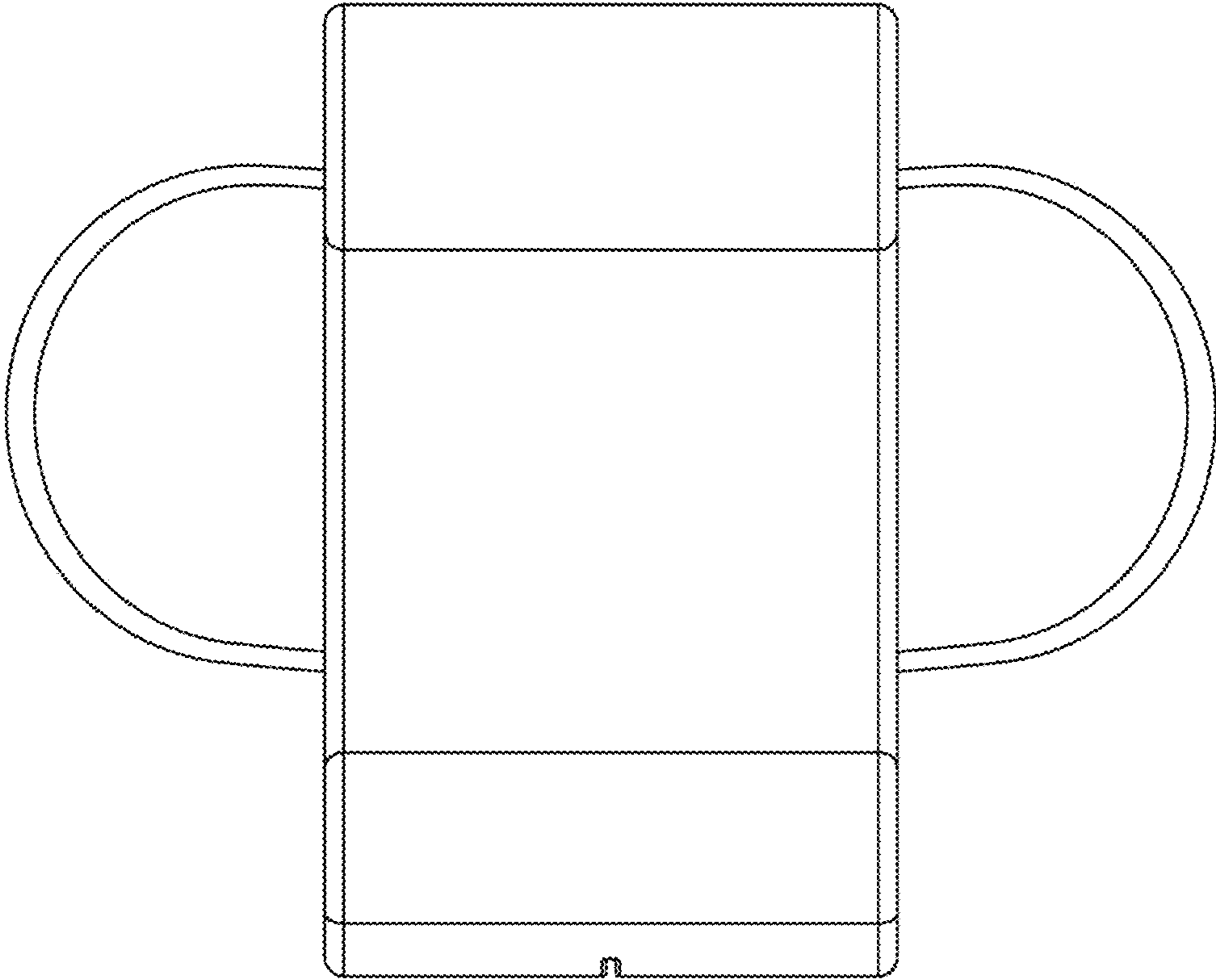


FIG. 3

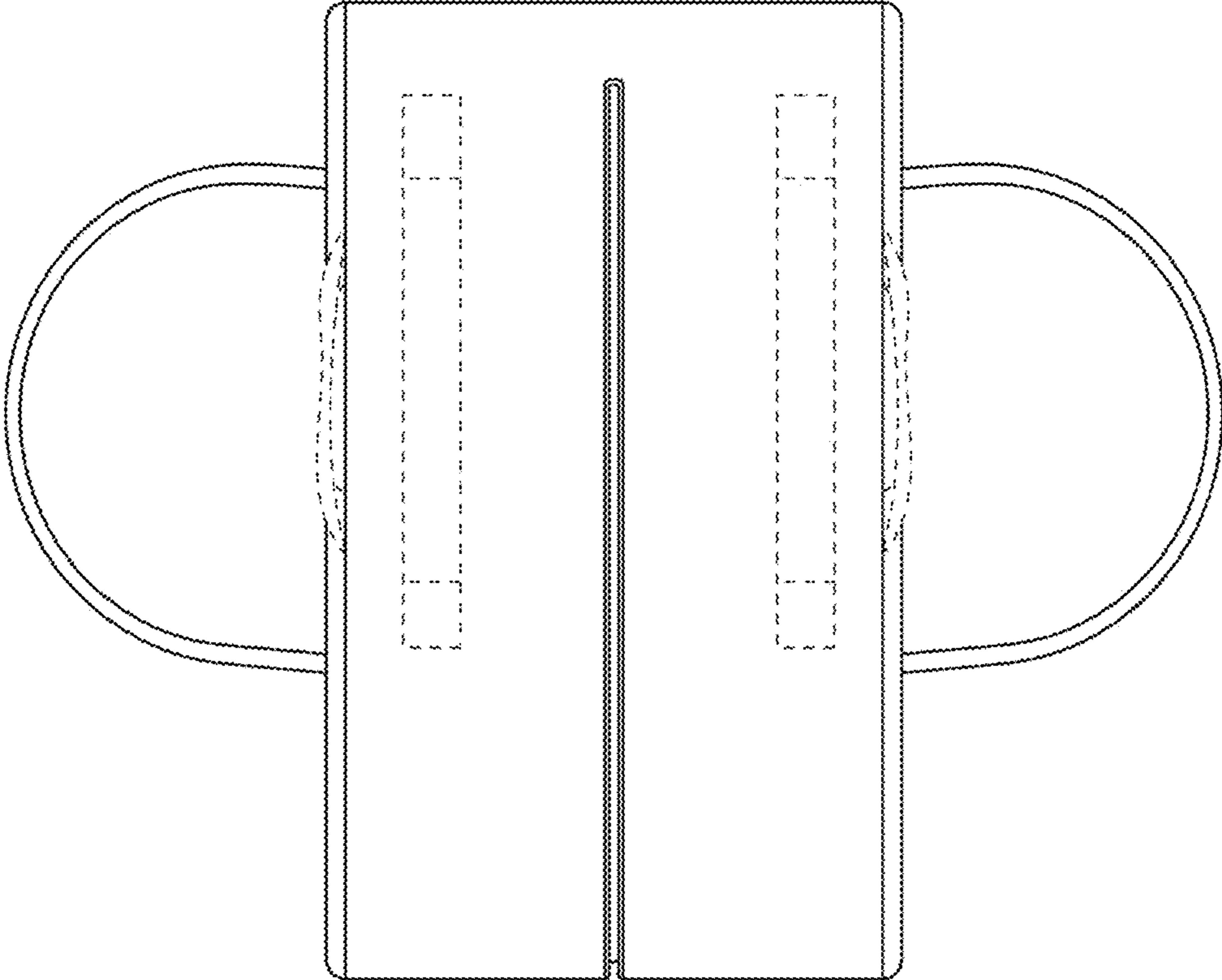


FIG. 4

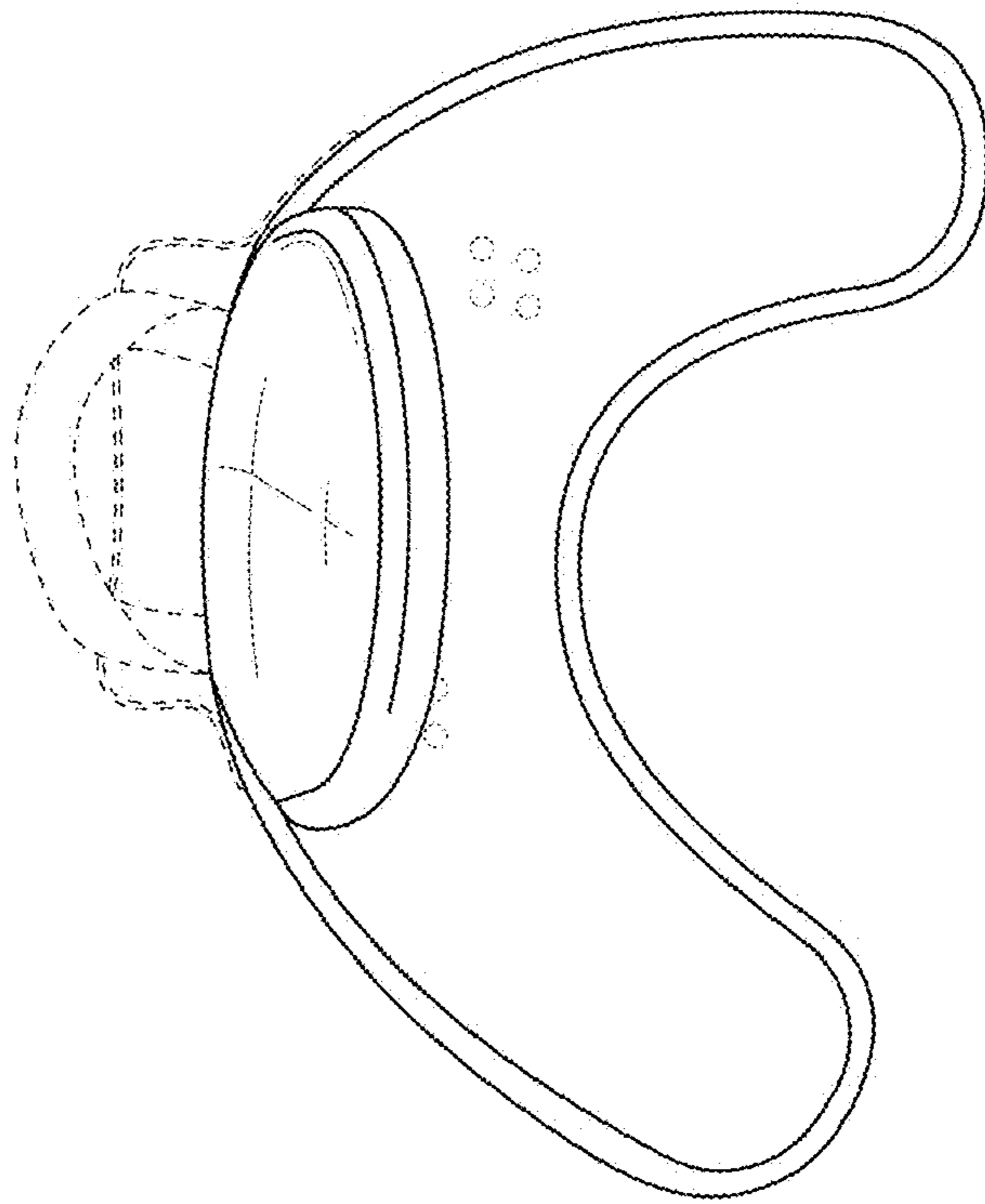


FIG. 5

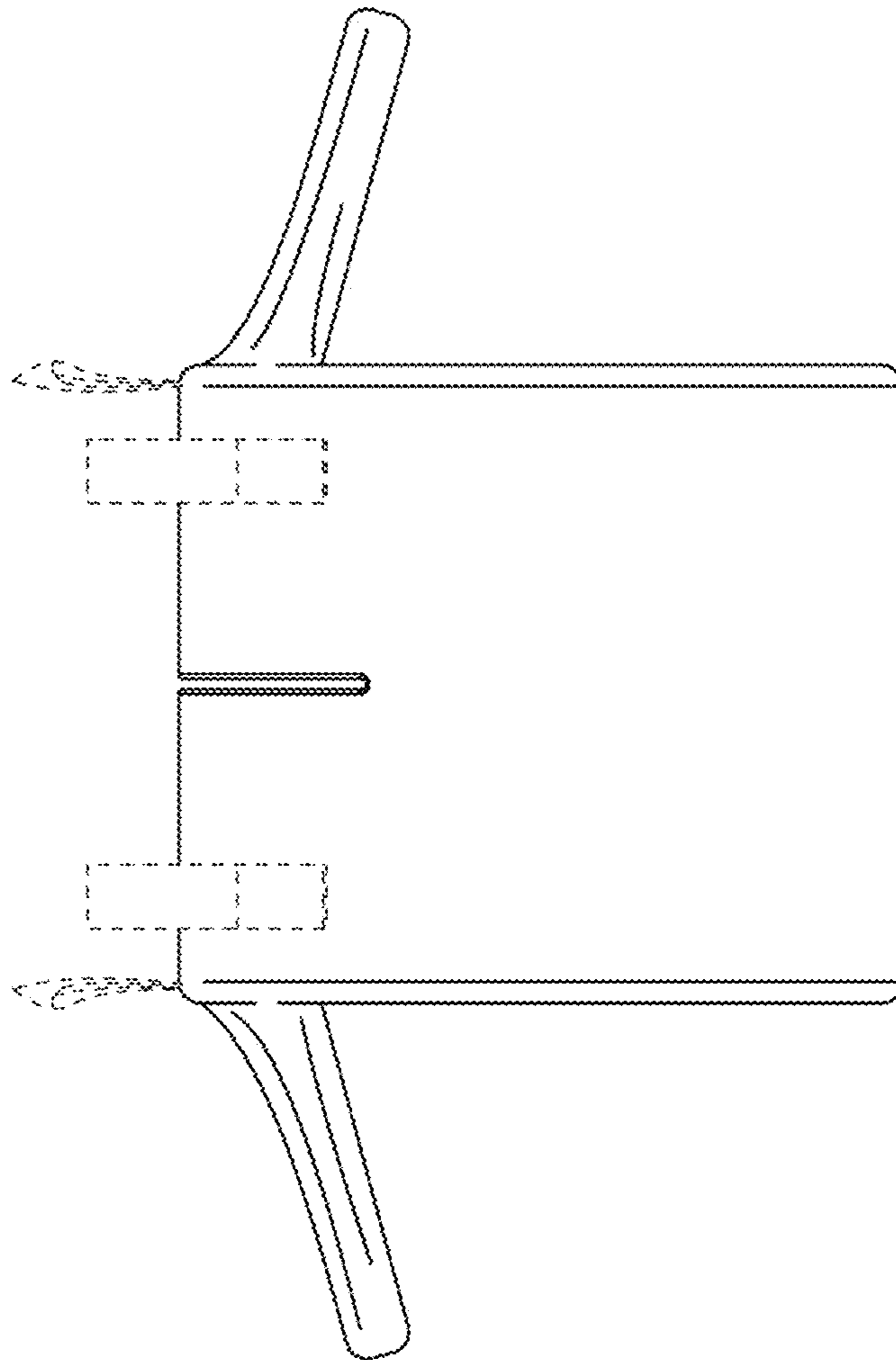


FIG. 6



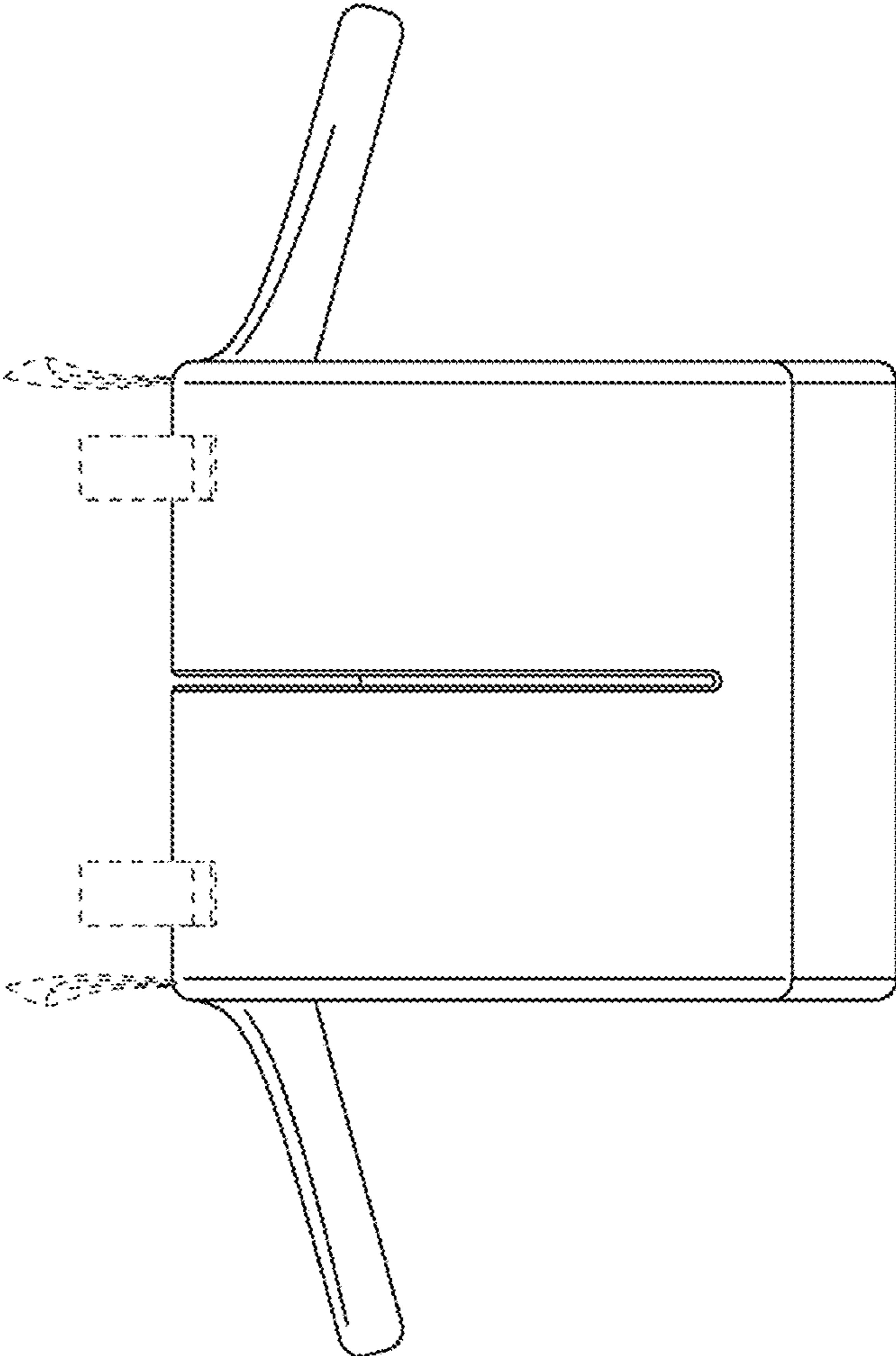


FIG. 7