



US00D870219S

(12) **United States Design Patent** (10) **Patent No.:** **US D870,219 S**  
**Pippitt et al.** (45) **Date of Patent:** **\*\* Dec. 17, 2019**

- (54) **BATTING TEE** 6,234,916 B1 \* 5/2001 Carusillo ..... A63B 55/10  
473/286
- (71) Applicant: **Launch Angle Tee, Inc.**, Durham, NC 6,290,617 B1 \* 9/2001 Cole ..... A63B 57/207  
(US) 473/408
- (72) Inventors: **Charles James Pippitt**, Durham, NC D451,566 S 12/2001 De Chenne  
(US); **William Brent Wright**, Raleigh, D566,801 S 4/2008 Grant  
NC (US); **Kenneth Collins Judge**, D620,542 S \* 7/2010 Sheffield ..... D21/796  
Tallahassee, FL (US) D633,583 S 3/2011 Guevara  
D638,079 S 5/2011 Cheng
- (73) Assignee: **Launch Angle Tee, Inc.**, Durham, NC 2003/0032505 A1 \* 2/2003 Christensen ..... A63B 57/50  
(US) 473/408
- (\*\*) Term: **15 Years** 2005/0266936 A1 \* 12/2005 Gutierrez ..... A63B 69/0002  
473/417
- 2007/0123370 A1 \* 5/2007 Goucher ..... A63B 69/0002  
473/451

(Continued)

- (21) Appl. No.: **29/628,156**
- (22) Filed: **Dec. 1, 2017**
- (51) **LOC (12) Cl.** ..... **21-02**
- (52) **U.S. Cl.**  
USPC ..... **D21/717**
- (58) **Field of Classification Search**  
USPC ..... D21/715-719, 788-791, 793, 796, 721,  
D21/736, 739, 742-746, 759; 473/387,  
473/398, 417, 420, 422, 451, 286, 503,  
473/517  
CPC ..... A63B 69/0073; A63B 69/0075; A63B  
2069/0008; A63B 57/00-40; A63B 47/00;  
A63B 47/008; A63B 47/02  
See application file for complete search history.

(56) **References Cited**

**U.S. PATENT DOCUMENTS**

- 2,659,604 A \* 11/1953 McGowen ..... A63B 69/0075  
473/420
- D210,837 S \* 4/1968 Warner ..... D21/718
- 4,364,563 A \* 12/1982 Stafford ..... A63B 69/0075  
273/DIG. 4
- D373,806 S 9/1996 Bunnell
- 5,662,241 A \* 9/1997 Sorensen ..... B65D 23/001  
220/630

**FOREIGN PATENT DOCUMENTS**

- DE 29914319 U1 \* 12/1999 ..... A63B 57/00
- WO WO-2004022167 A2 \* 3/2004 ..... A63B 57/10

*Primary Examiner* — Catherine A Tuttle  
 (74) *Attorney, Agent, or Firm* — United IP Counselors,  
 LLC

(57) **CLAIM**

The ornamental design for a batting tee, as shown and described.

**DESCRIPTION**

FIG. 1 is a perspective view of a batting tee showing our new design.

FIG. 2 is a front elevation view thereof.

FIG. 3 is a rear elevation view thereof.

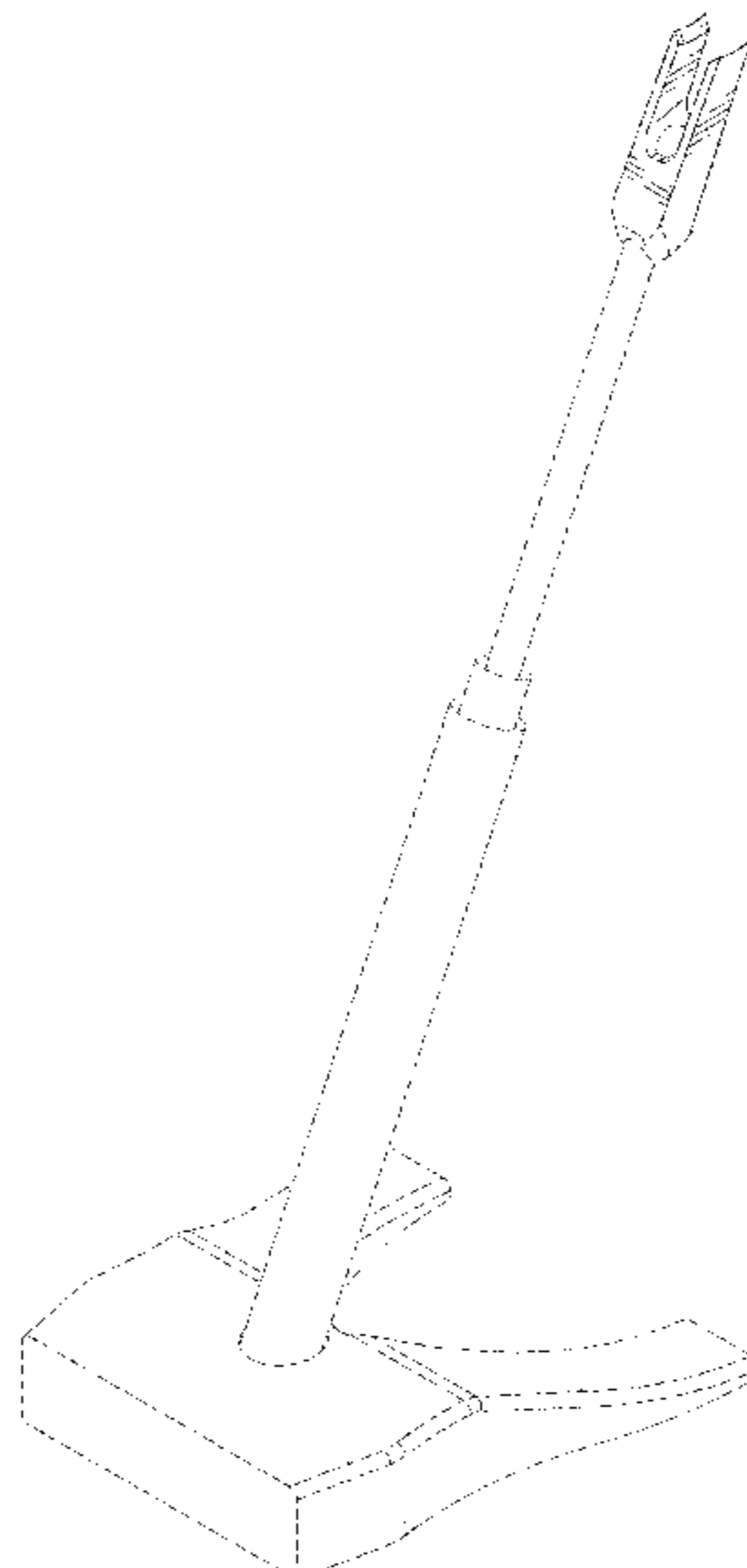
FIG. 4 is a right side elevation view thereof; the left side elevation view being a mirror image thereof.

FIG. 5 is a top plan view thereof; and,

FIG. 6 is a bottom plan view thereof.

The broken lines represent portions of the batting tee that form no part of the claim.

**1 Claim, 6 Drawing Sheets**



(56)

**References Cited**

U.S. PATENT DOCUMENTS

2009/0227396 A1\* 9/2009 Bronson ..... A63B 24/0021  
473/407  
2010/0216576 A1\* 8/2010 Sanders ..... A63B 57/16  
473/387  
2010/0248865 A1\* 9/2010 Otsubo ..... A63B 57/50  
473/408  
2011/0224029 A1\* 9/2011 Day ..... A63B 69/0002  
473/453

\* cited by examiner

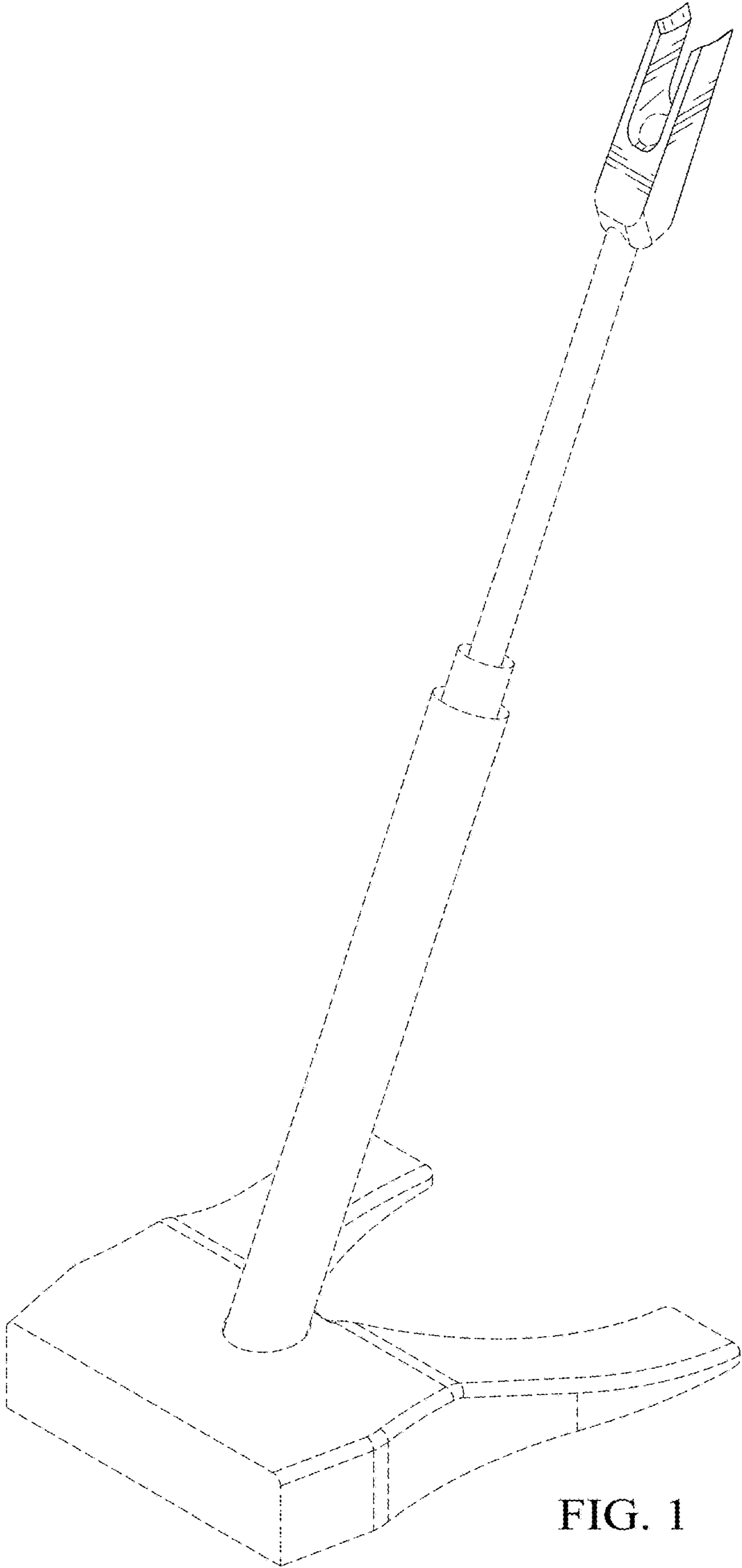


FIG. 1

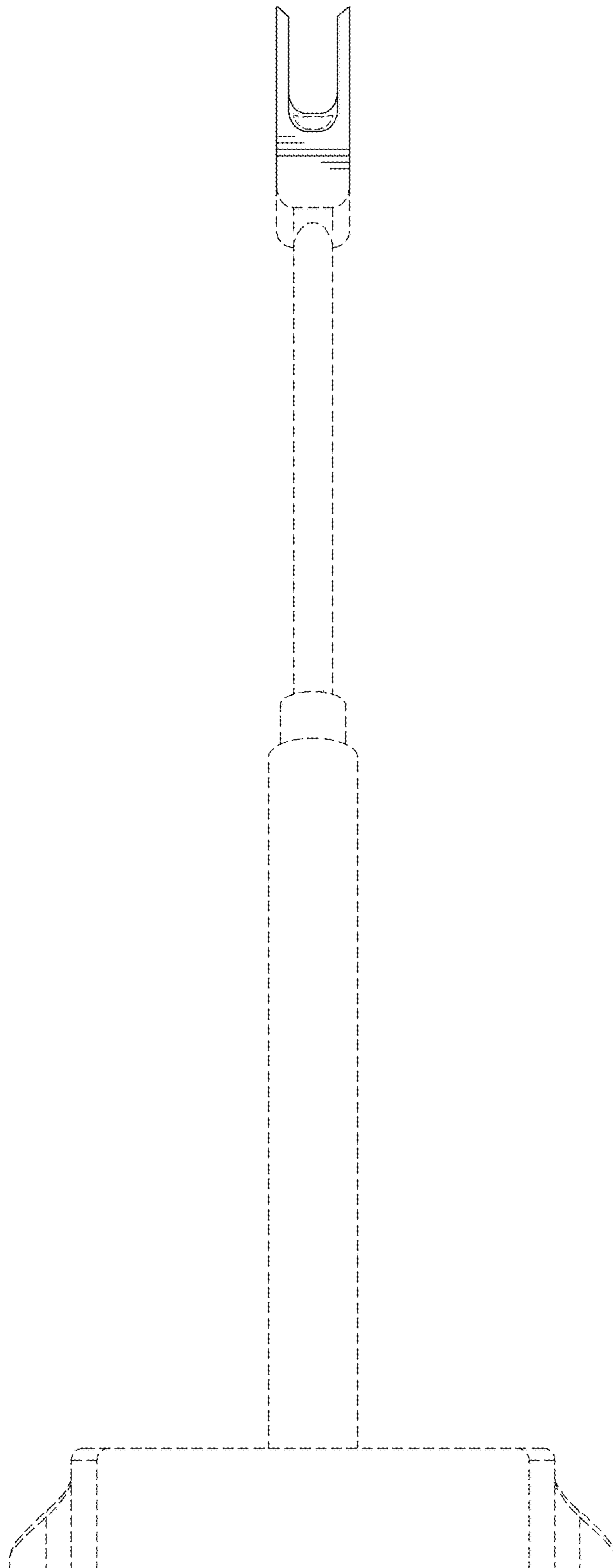


FIG. 2

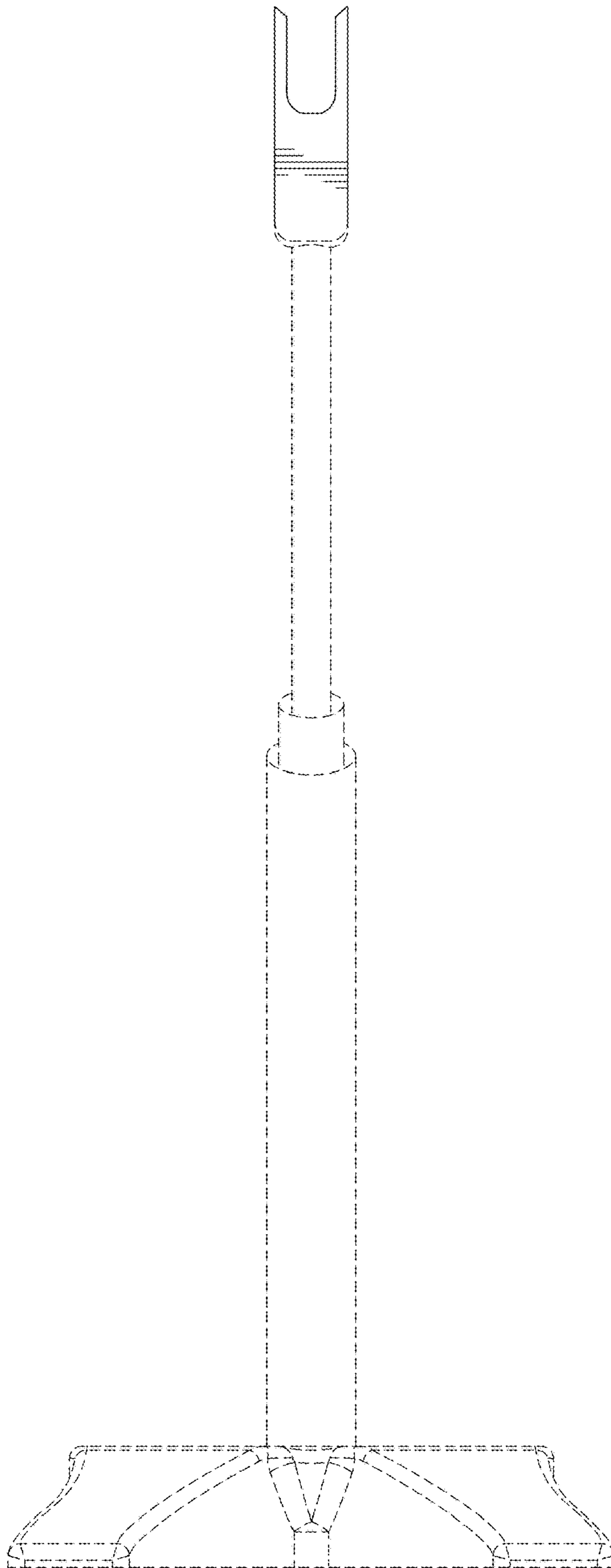


FIG. 3

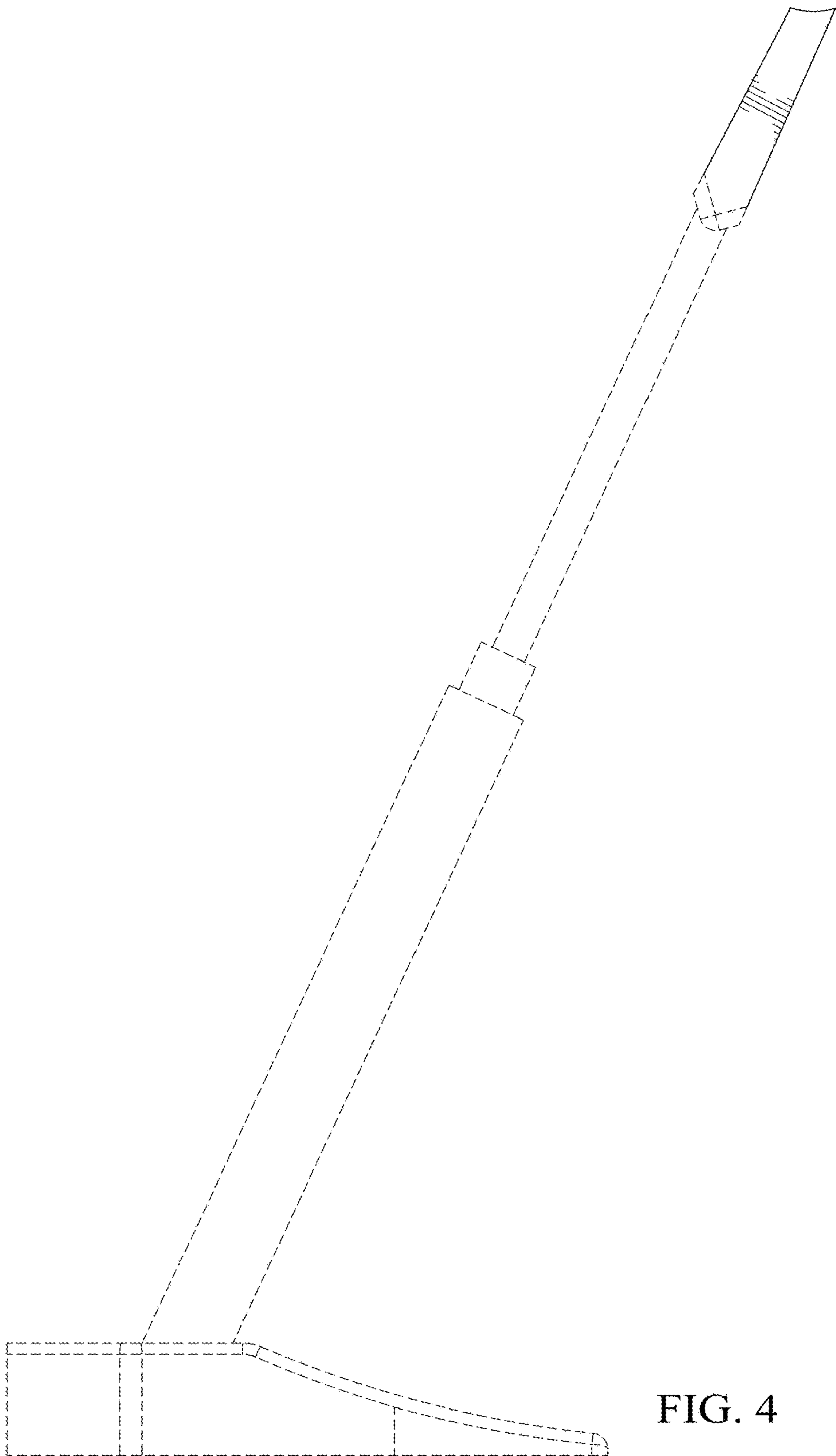


FIG. 4

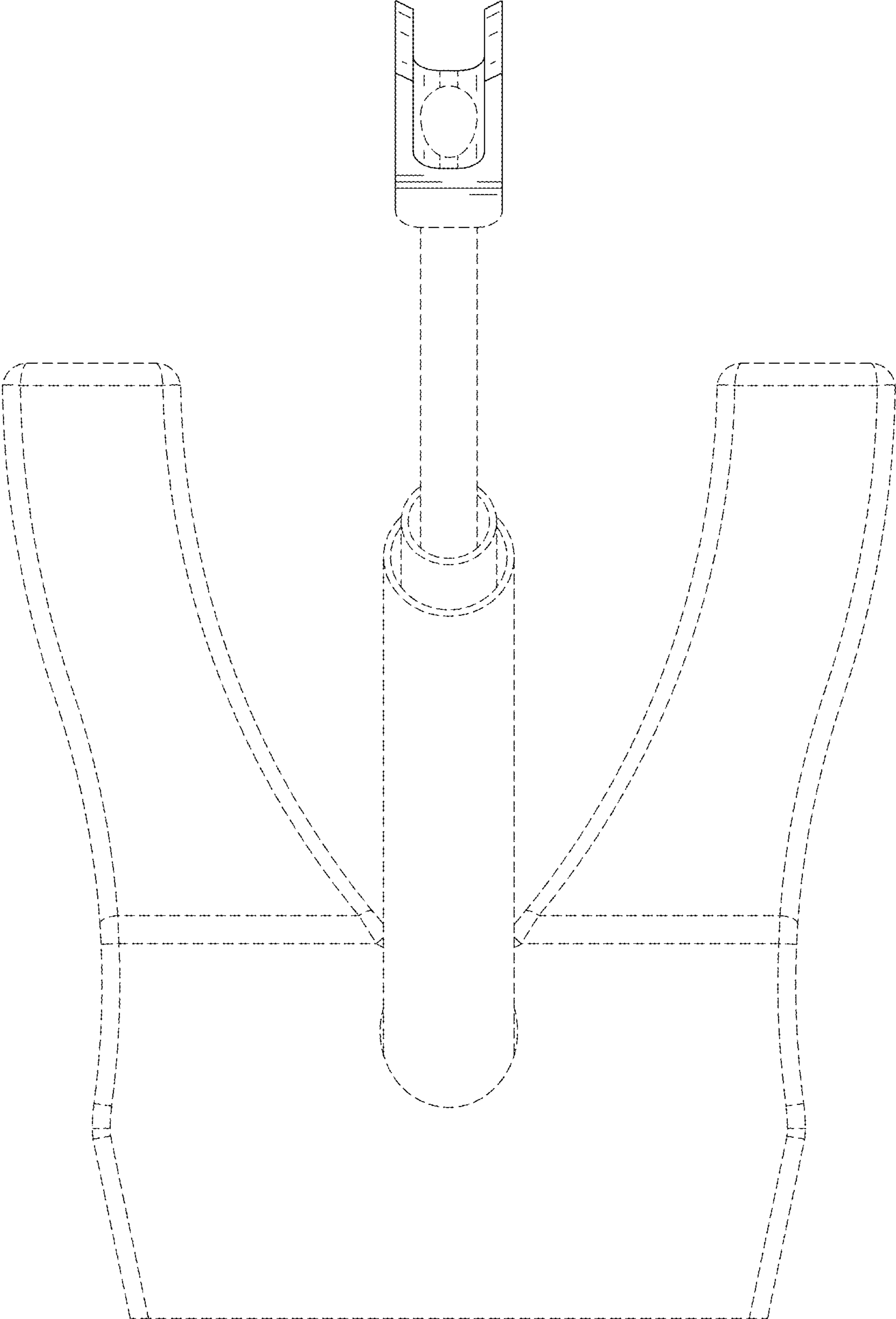


FIG. 5

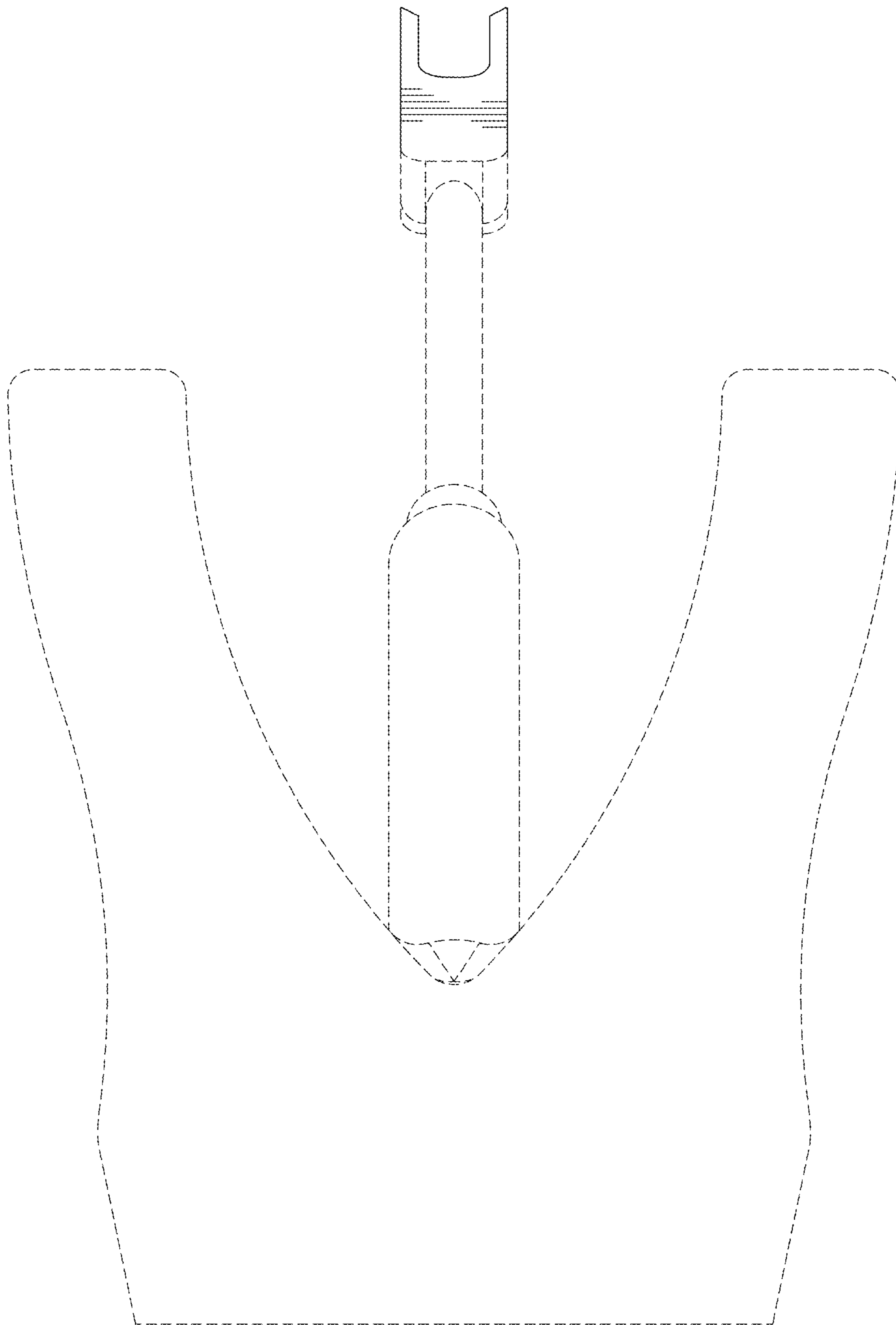


FIG. 6