



US00D870214S

(12) **United States Design Patent**
Ikoma et al.

(10) **Patent No.:** **US D870,214 S**
(45) **Date of Patent:** **** Dec. 17, 2019**

(54) **ROBOT TOY**

(71) Applicant: **TOMY COMPANY, LTD.**, Tokyo (JP)

(72) Inventors: **Akiko Ikoma**, Tokyo (JP); **Shu Katayama**, Tokyo (JP); **Mitsutoshi Tokuyama**, Tokyo (JP); **Shigeru Kanauchi**, Tokyo (JP); **Masashi Katahira**, Tokyo (JP)

(73) Assignee: **TOMY COMPANY, LTD.**, Tokyo (JP)

(**) Term: **15 Years**

(21) Appl. No.: **29/659,359**

(22) Filed: **Aug. 8, 2018**

(30) **Foreign Application Priority Data**

Feb. 23, 2018 (JP) 2018-003726

(51) **LOC (12) Cl.** **21-01**

(52) **U.S. Cl.**
USPC **D21/615; D21/578**

(58) **Field of Classification Search**
USPC D6/598; D11/158, 162; D21/576–596,
D21/604–605, 611–613, 615, 617–618,
D21/621; 446/99, 268, 368–369, 376,
446/428, 487; 180/8.6; D30/160
CPC ... A63H 3/00; A63H 3/02; A63H 3/04; A63H
3/16; A63H 3/28; A63H 3/36; A63H
7/06; A63H 11/00; A63H 11/10; A63H
11/20; A63H 11/205; A63H 13/00; A63H
33/04; A63H 33/08; A63H 33/042; A63H
23/10

See application file for complete search history.

(56) **References Cited**

U.S. PATENT DOCUMENTS

D257,373 S * 10/1980 Kodaka D21/615
D287,038 S * 12/1986 Ohno D21/615

D316,733 S * 5/1991 Volpe D21/615
5,295,893 A * 3/1994 Chiu A63H 11/20
446/278
D373,799 S * 9/1996 Doi A63F 9/12
D21/615
5,681,041 A * 10/1997 Coon A63F 9/12
D21/615
D397,744 S * 9/1998 Brummer A63H 11/20
D21/615
D445,446 S * 7/2001 Knox, Jr. D18/3.1
D461,858 S * 8/2002 Hornsby D21/615
D669,138 S * 10/2012 Wong D21/615

* cited by examiner

Primary Examiner — Sandra L Morris

(74) *Attorney, Agent, or Firm* — Oliff PLC

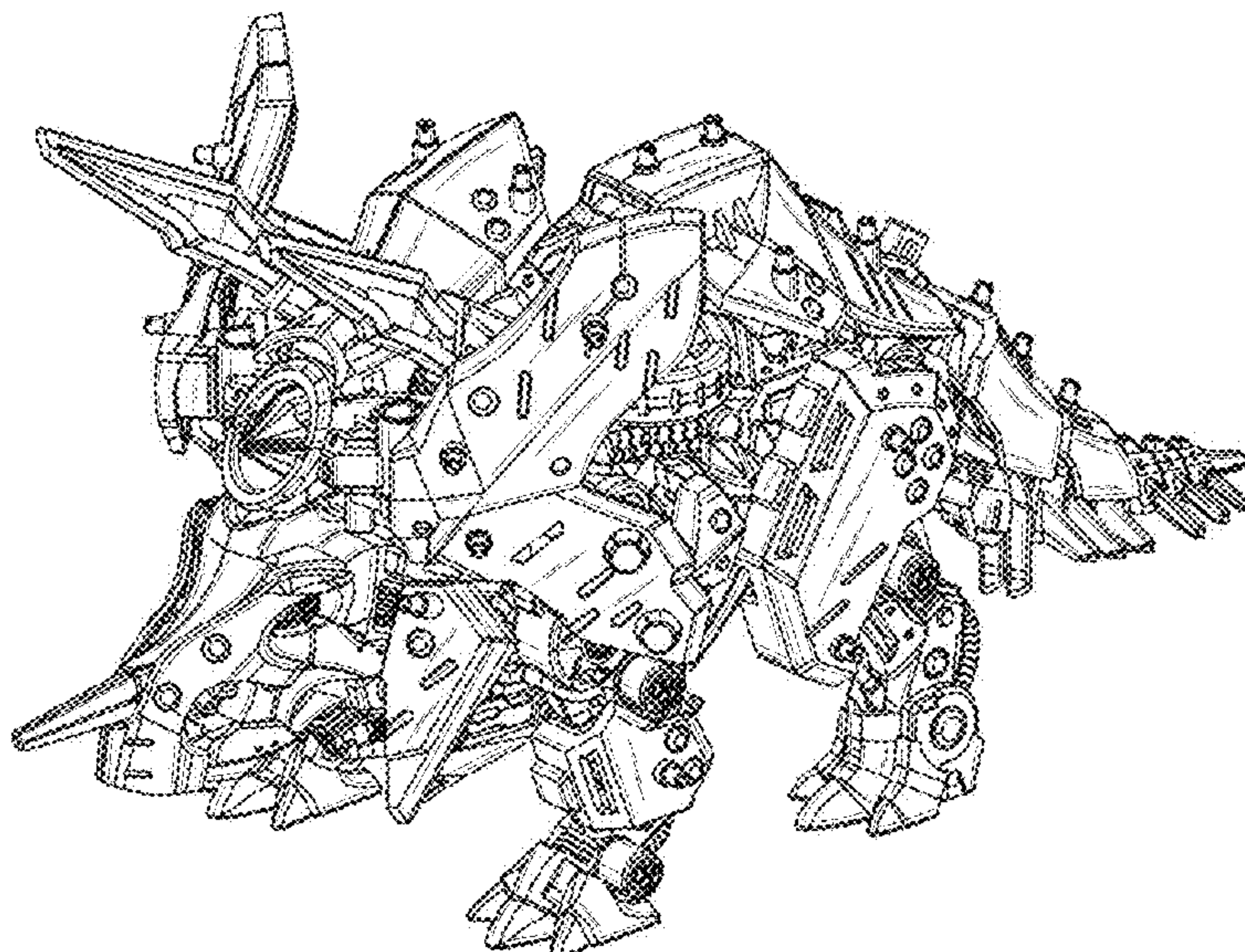
(57) **CLAIM**

The ornamental design for a robot toy, as shown and described.

DESCRIPTION

FIG. 1 is a right-side elevational view of the robot toy;
FIG. 2 is a left-side elevational view thereof;
FIG. 3 is a front elevational view thereof;
FIG. 4 is a rear elevational view thereof;
FIG. 5 is a top plan view thereof;
FIG. 6 is a bottom plan view thereof;
FIG. 7 is a front, right-side, top perspective view thereof;
FIG. 8 is a rear, left-side, bottom perspective view thereof;
FIG. 9 is a front, right-side, top perspective view of an alternate configuration thereof; and,
FIG. 10 is a rear, left-side, bottom perspective view of the alternate configuration.

1 Claim, 10 Drawing Sheets



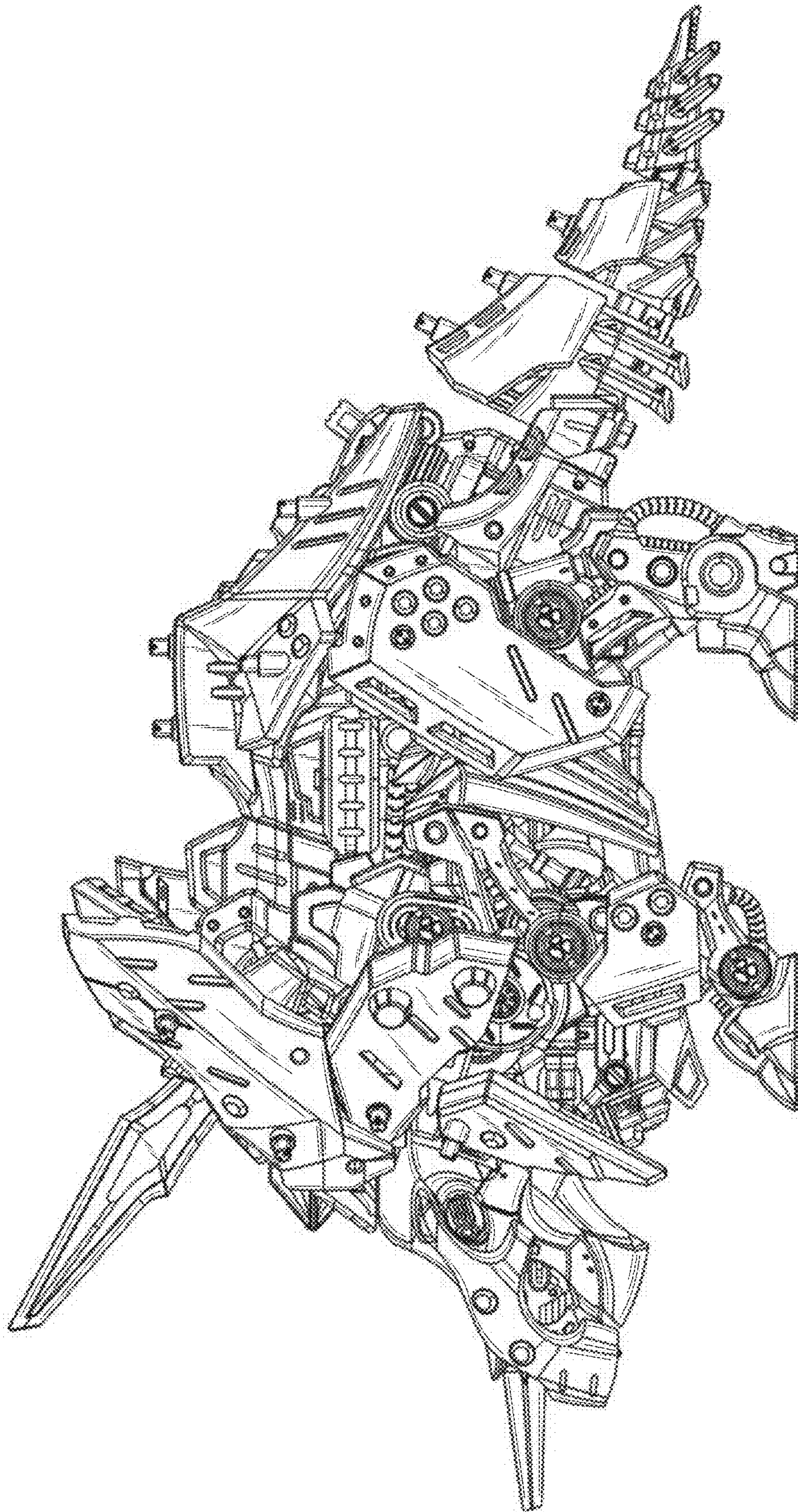


FIG. 1

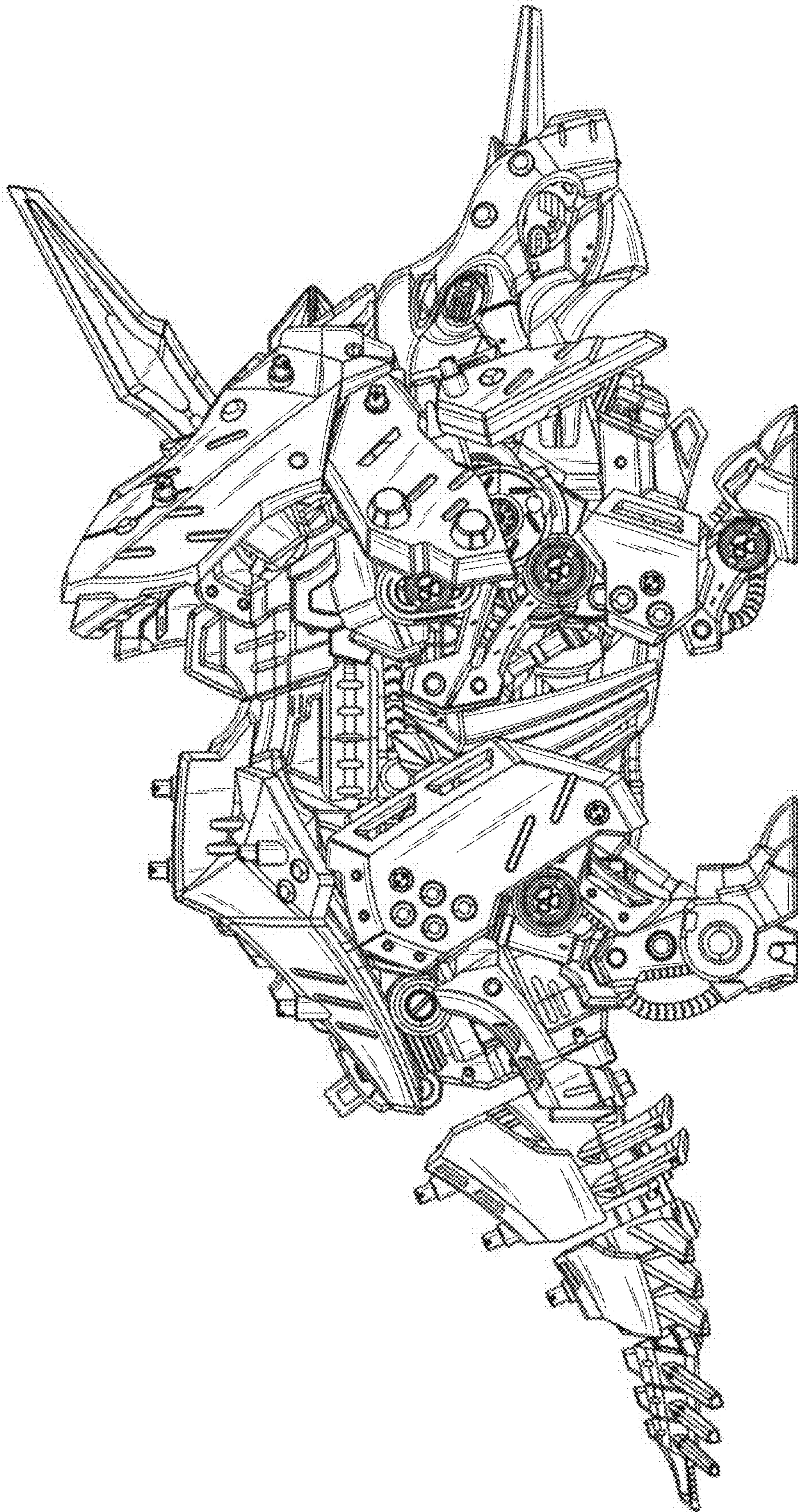


FIG. 2

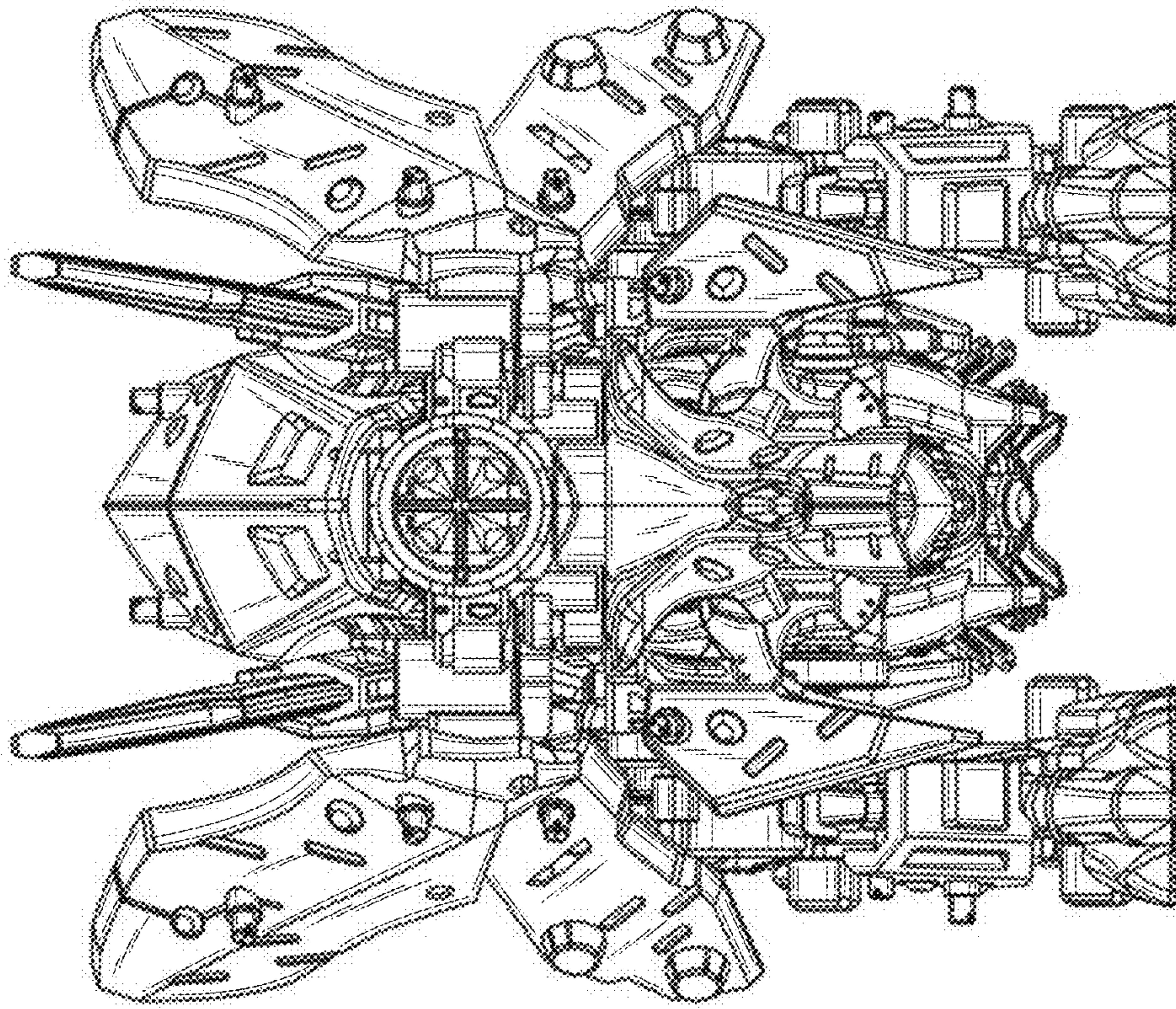


FIG. 3

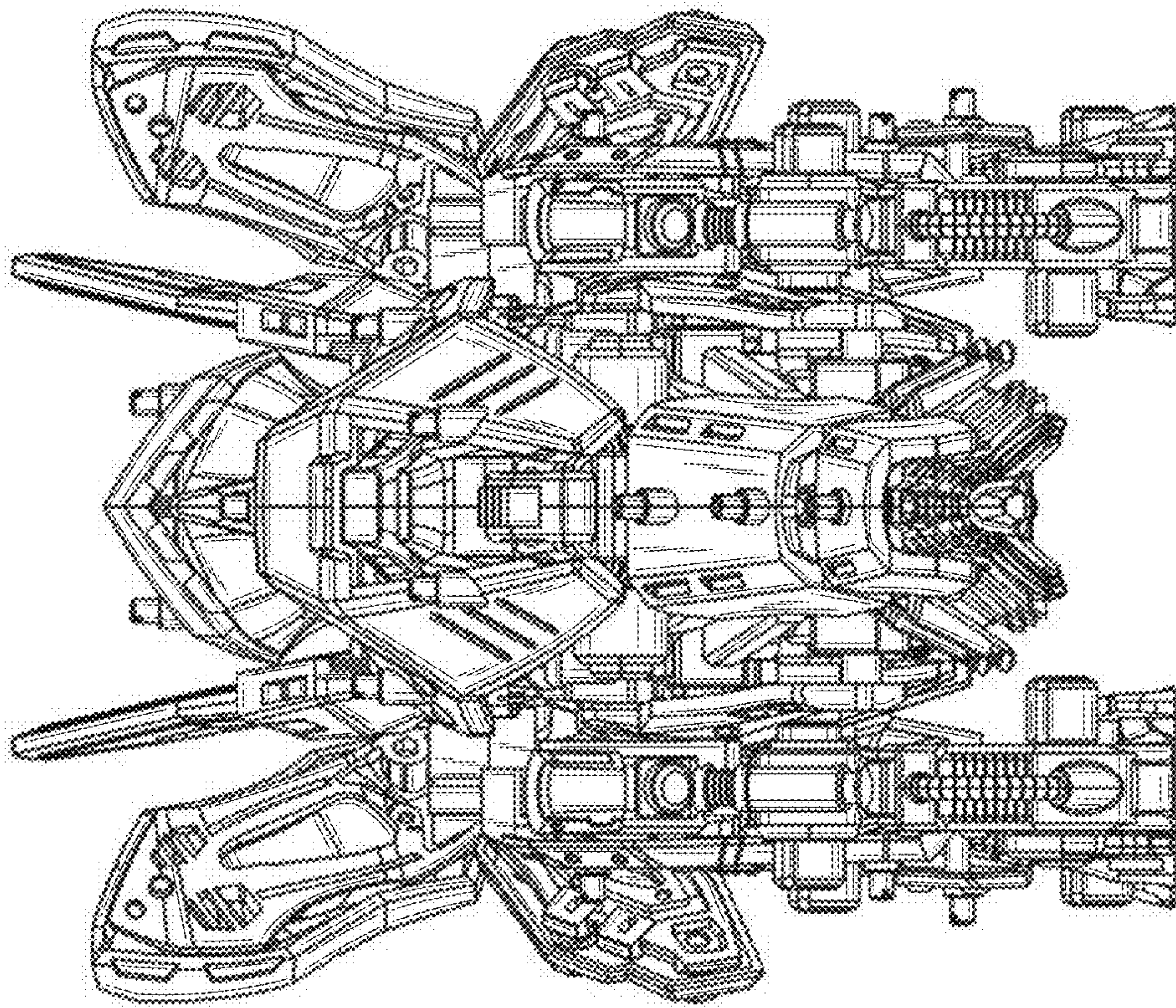


FIG. 4

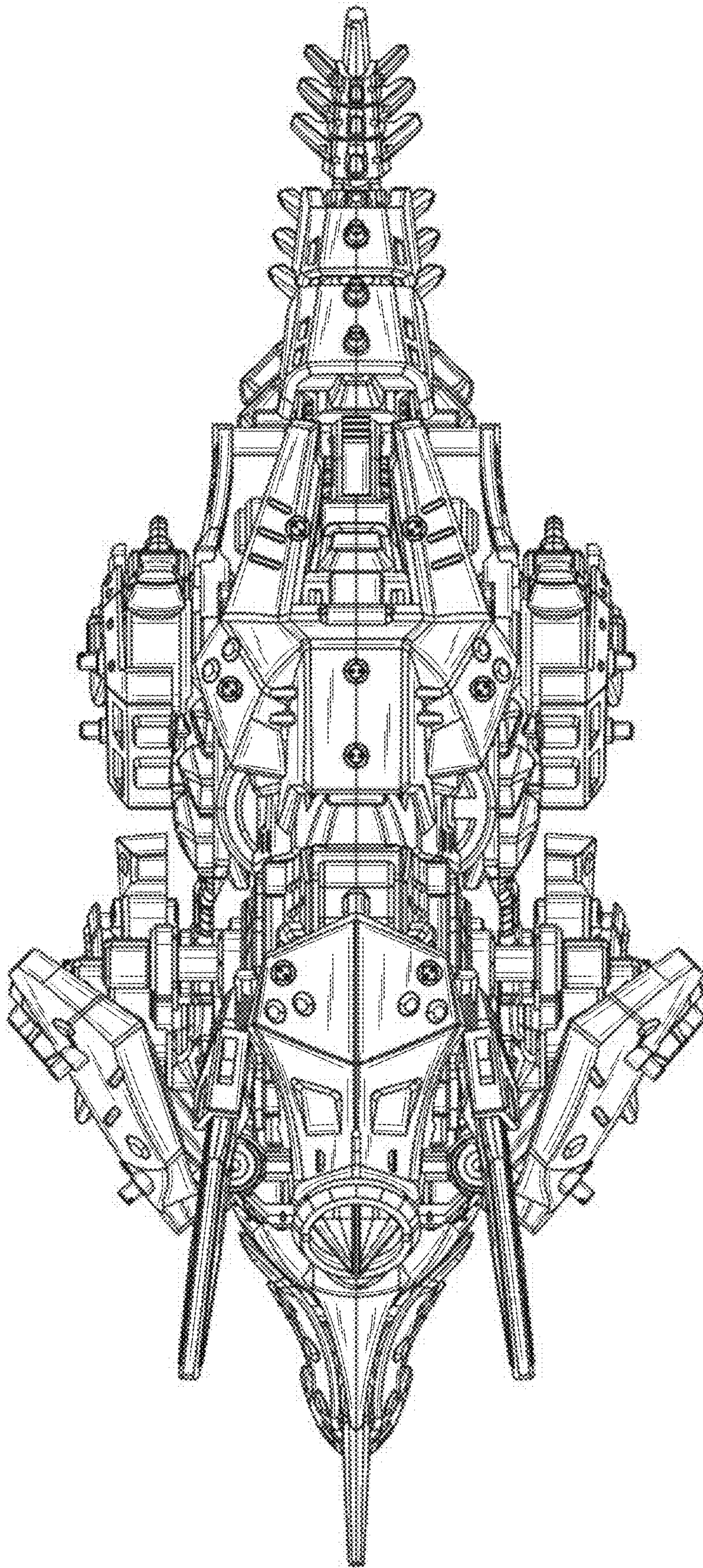


FIG. 5

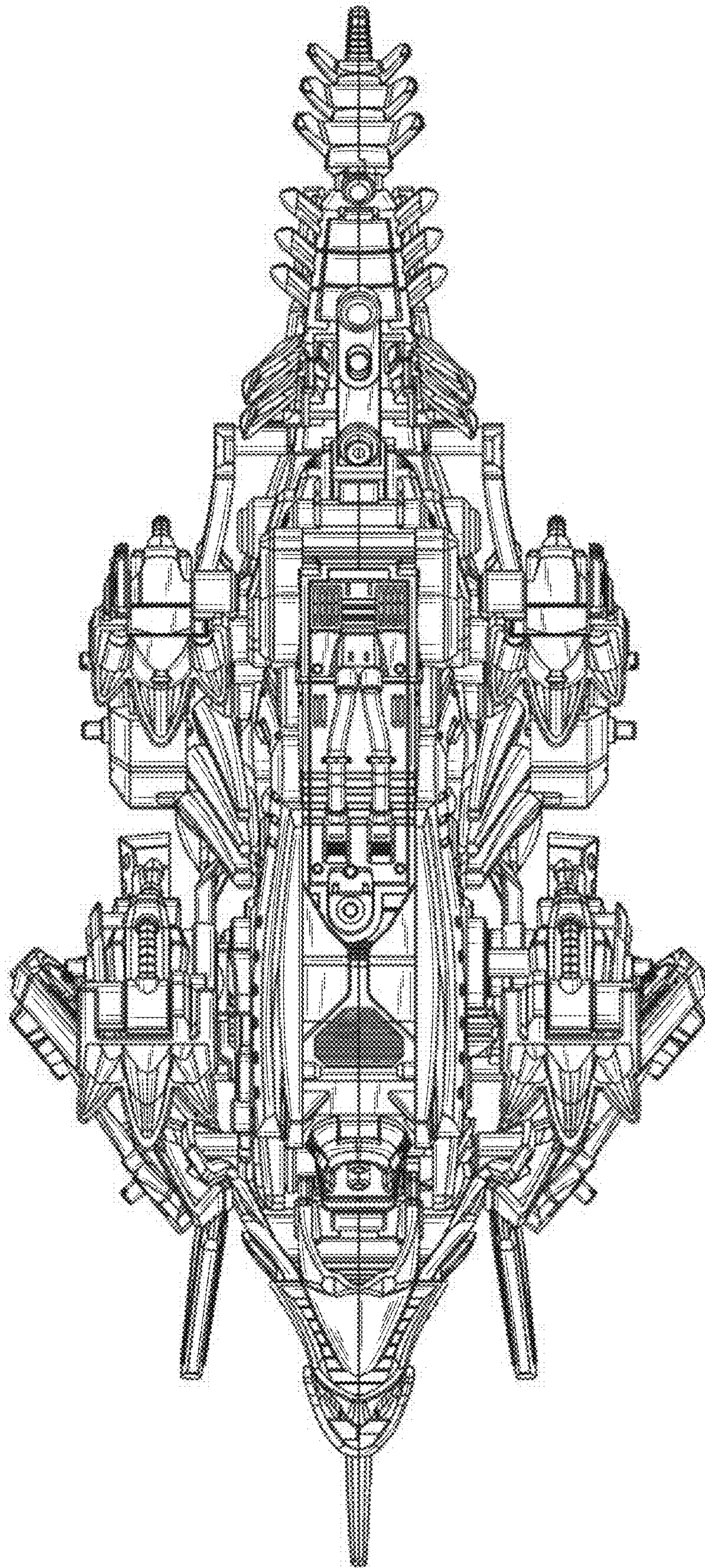


FIG. 6

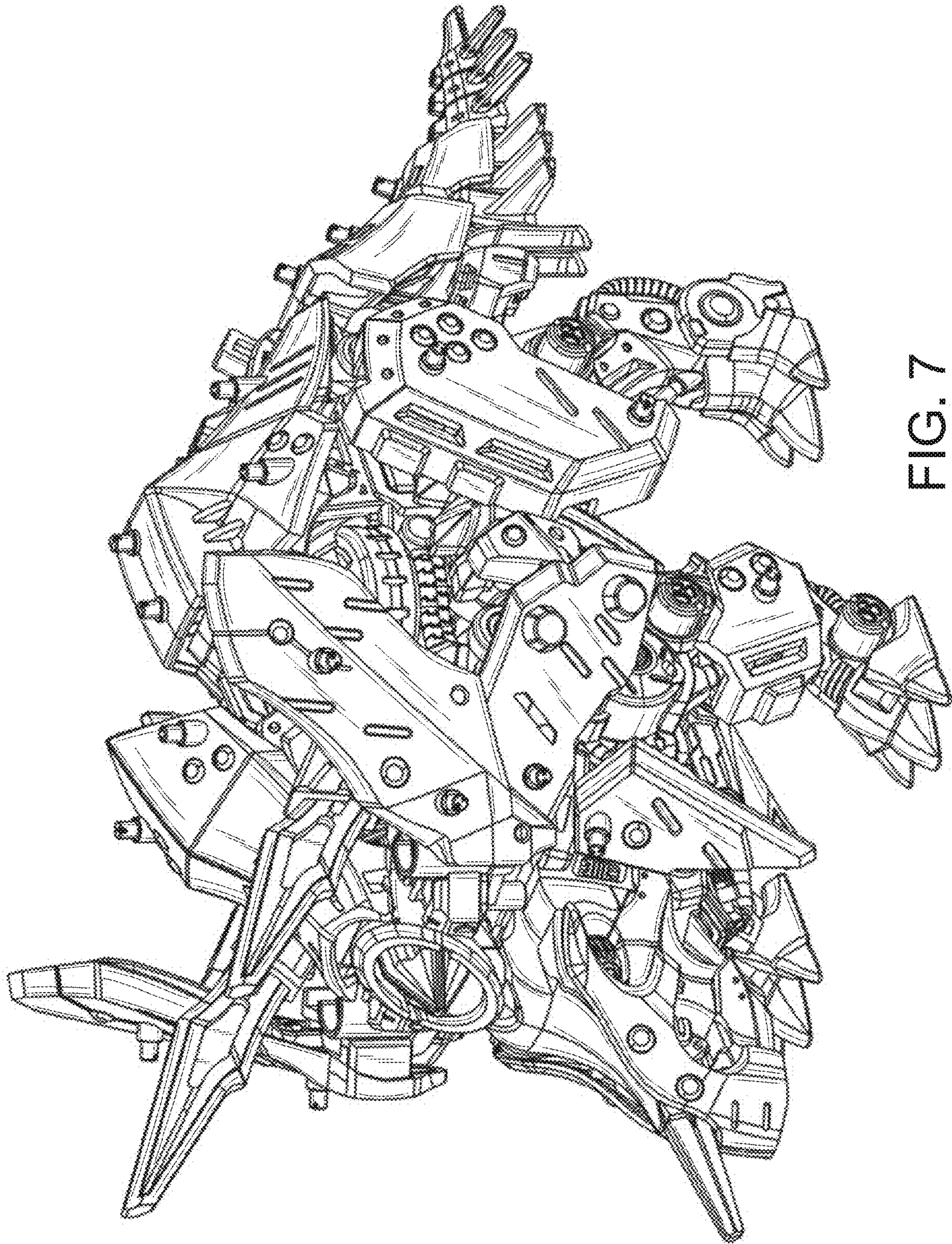


FIG. 7

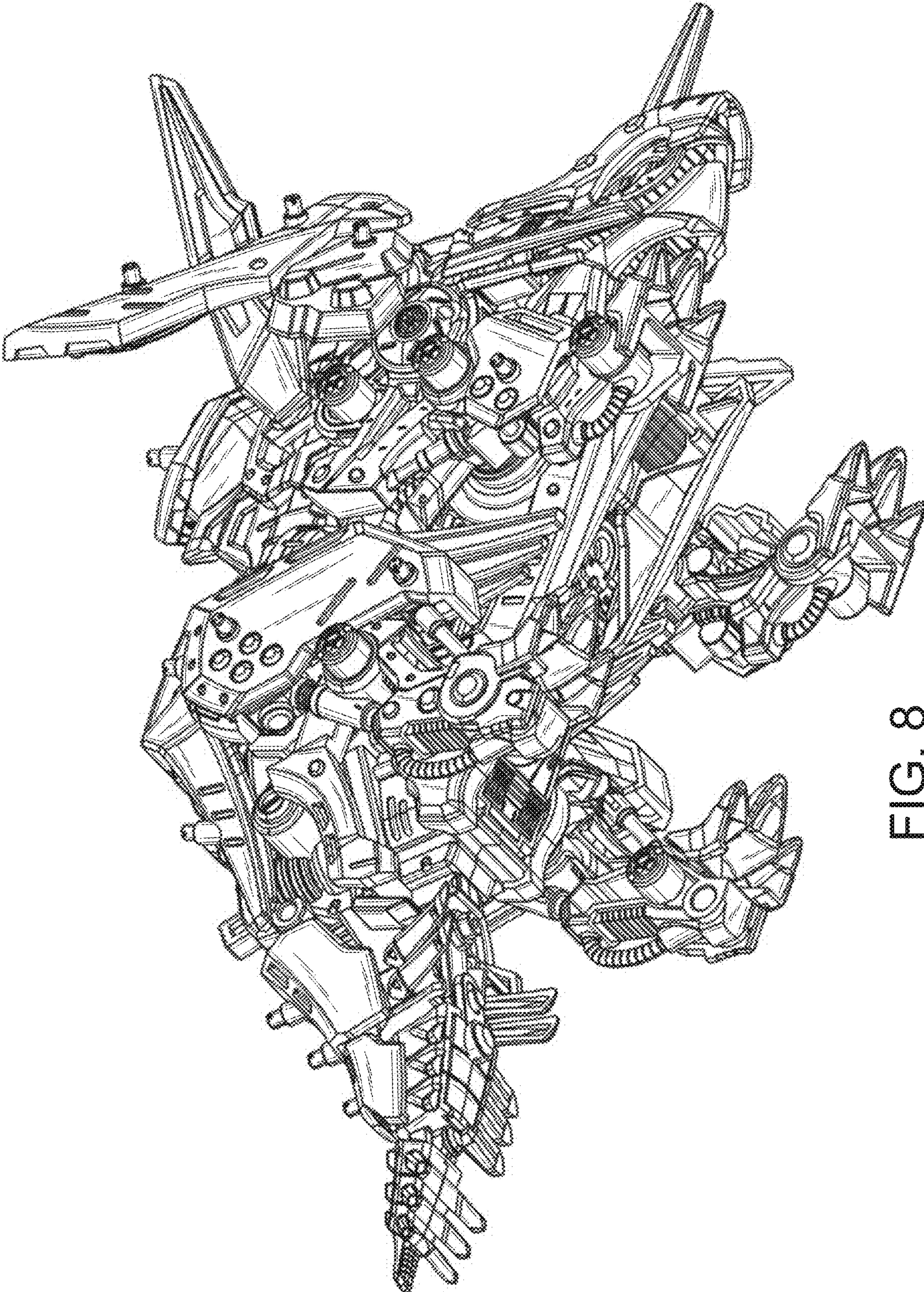


FIG. 8

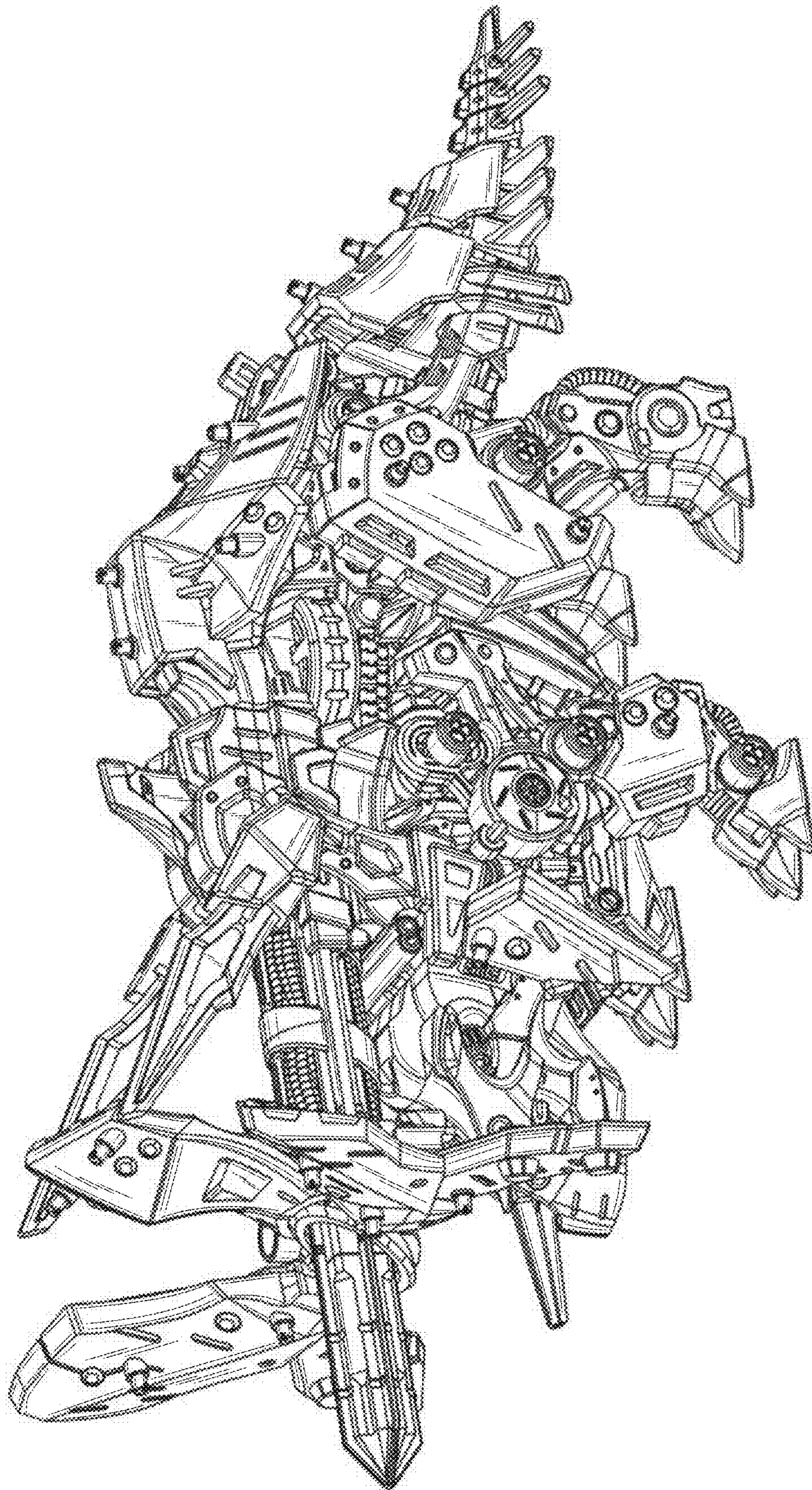


FIG. 9

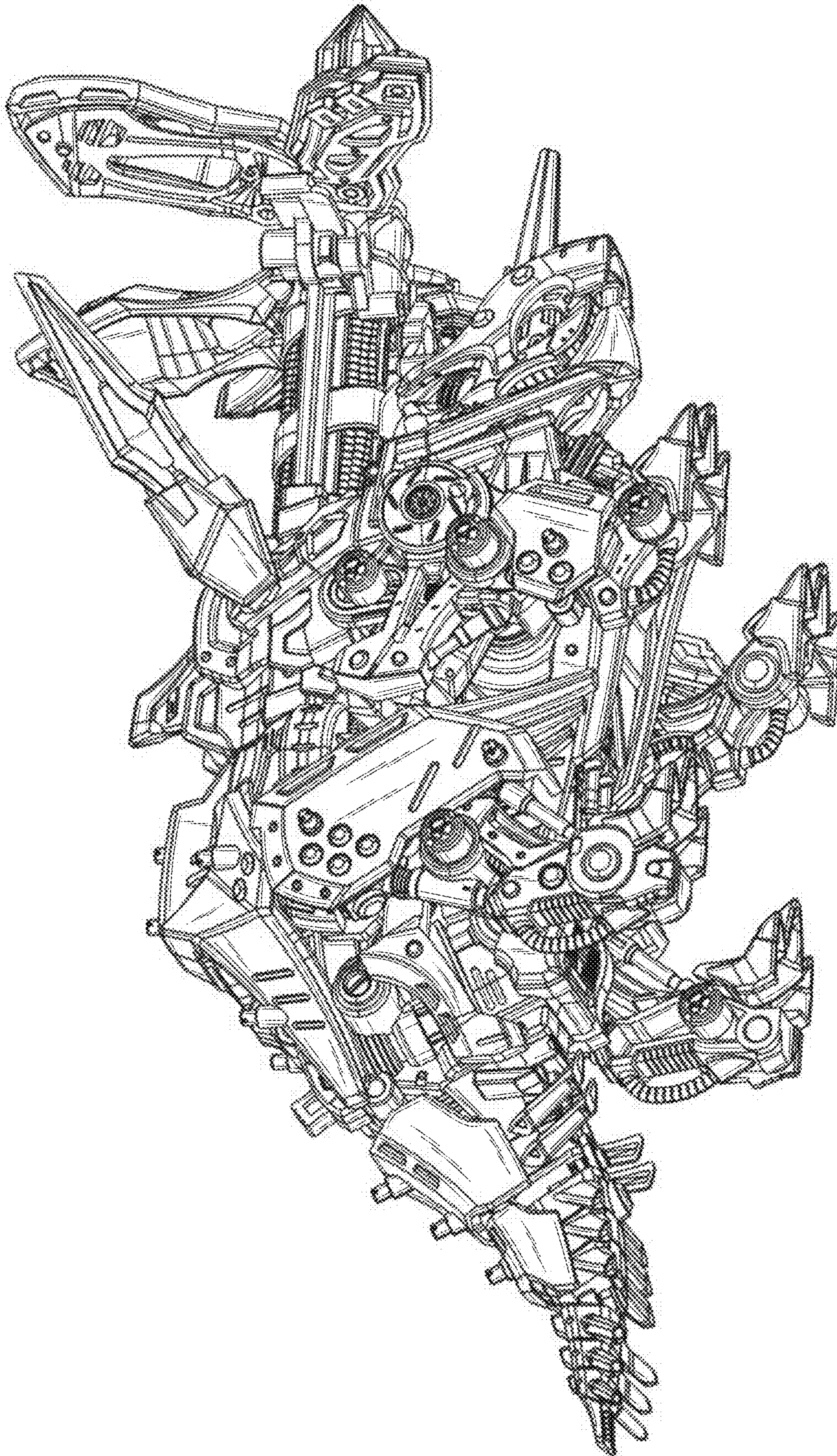


FIG. 10