



US00D870213S

(12) **United States Design Patent**
Katayama et al.

(10) **Patent No.:** **US D870,213 S**
(45) **Date of Patent:** **** Dec. 17, 2019**

(54) **ROBOT TOY**

(56) **References Cited**

(71) Applicant: **TOMY COMPANY, LTD.**, Tokyo (JP)

U.S. PATENT DOCUMENTS

(72) Inventors: **Shu Katayama**, Tokyo (JP); **Akiko Ikoma**, Tokyo (JP); **Mitsutoshi Tokuyama**, Tokyo (JP); **Takashi Nakase**, Tokyo (JP); **Shigeru Kanauchi**, Tokyo (JP); **Tomoyuki Tanaka**, Tokyo (JP)

D305,051 S *	12/1989	Ohno	D21/582
D315,000 S *	2/1991	Stephensen	D21/596
D317,797 S *	6/1991	Pedersen	A63H 11/00
			D21/596
D439,936 S *	4/2001	Stenbryggen	D21/584
6,257,950 B1 *	7/2001	Saleh	A63H 11/00
			446/352
D656,564 S *	3/2012	Kratz	D21/578
D811,492 S *	2/2018	Rehkemper	D21/578
D832,373 S *	10/2018	Cummings	D21/596

(73) Assignee: **TOMY COMPANY, LTD.**, Tokyo (JP)

* cited by examiner

(**) Term: **15 Years**

Primary Examiner — Sandra L Morris

(21) Appl. No.: **29/659,204**

(74) *Attorney, Agent, or Firm* — Oliff PLC

(22) Filed: **Aug. 7, 2018**

(57) **CLAIM**

(30) **Foreign Application Priority Data**

The ornamental design for a robot toy, as shown and described.

Feb. 20, 2018 (JP) 2018-003373

DESCRIPTION

(51) **LOC (12) Cl.** **21-01**

(52) **U.S. Cl.**
USPC **D21/596**; D21/578

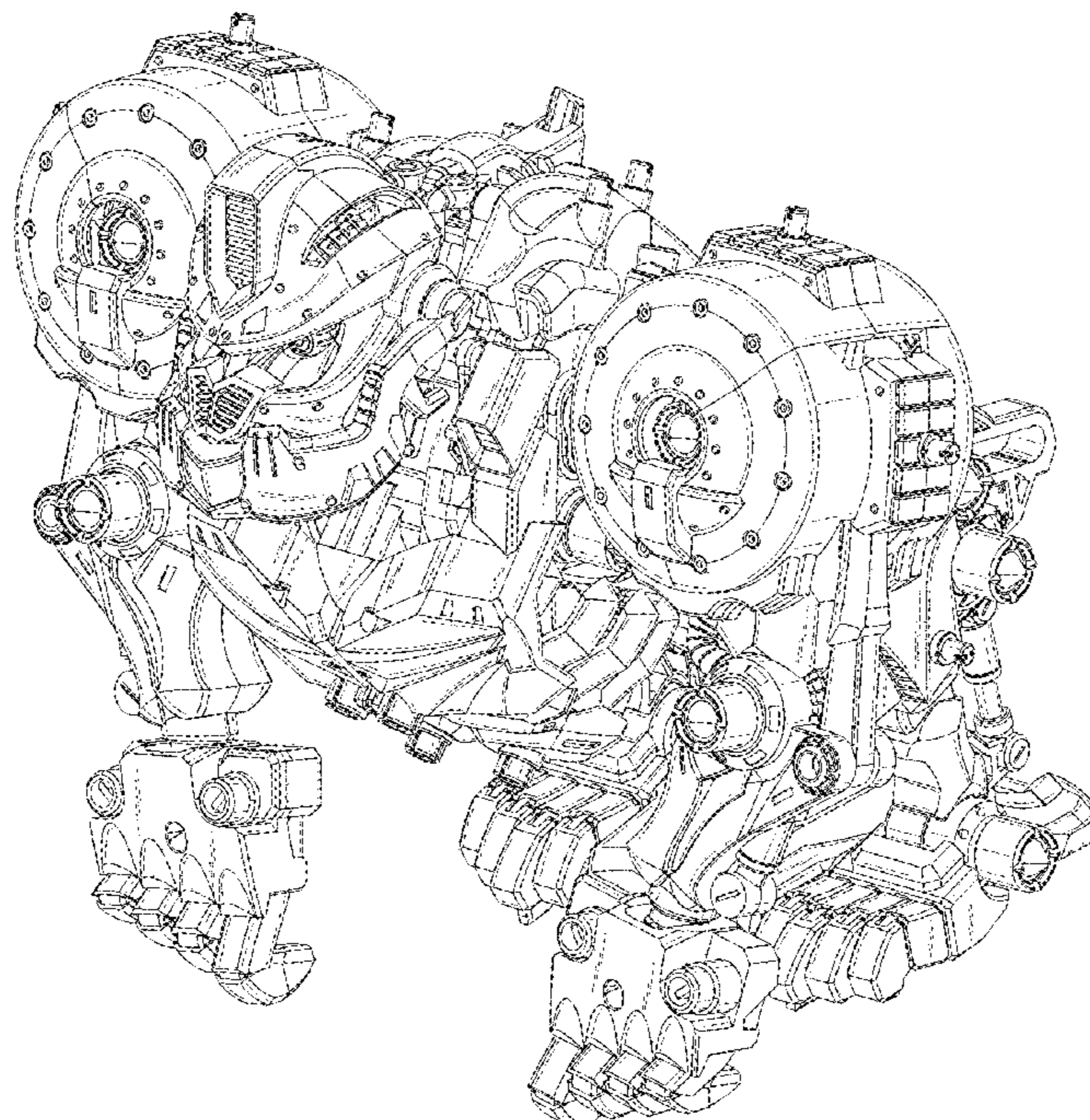
(58) **Field of Classification Search**
USPC D6/598; D11/158, 162; D21/576–596,
D21/604–605, 621; 446/99, 268,
446/368–369, 376, 428, 487; 180/8.6;
D30/160

CPC ... A63H 3/00; A63H 3/02; A63H 3/04; A63H
3/16; A63H 3/28; A63H 3/36; A63H
7/06; A63H 11/00; A63H 11/10; A63H
11/20; A63H 13/00; A63H 33/04; A63H
33/08; A63H 33/042; A63H 23/10

See application file for complete search history.

FIG. 1 is a right-side elevational view of the robot toy;
FIG. 2 is a left-side elevational view thereof;
FIG. 3 is a front elevational view thereof;
FIG. 4 is a rear elevational view thereof;
FIG. 5 is a top plan view thereof;
FIG. 6 is a bottom plan view thereof;
FIG. 7 is a front, right-side, top perspective view thereof;
FIG. 8 is a rear, left-side, bottom perspective view thereof;
FIG. 9 is a front, right-side, top perspective view of an
alternate configuration thereof; and,
FIG. 10 is a rear, left-side, bottom perspective view of the
alternate configuration.

1 Claim, 10 Drawing Sheets



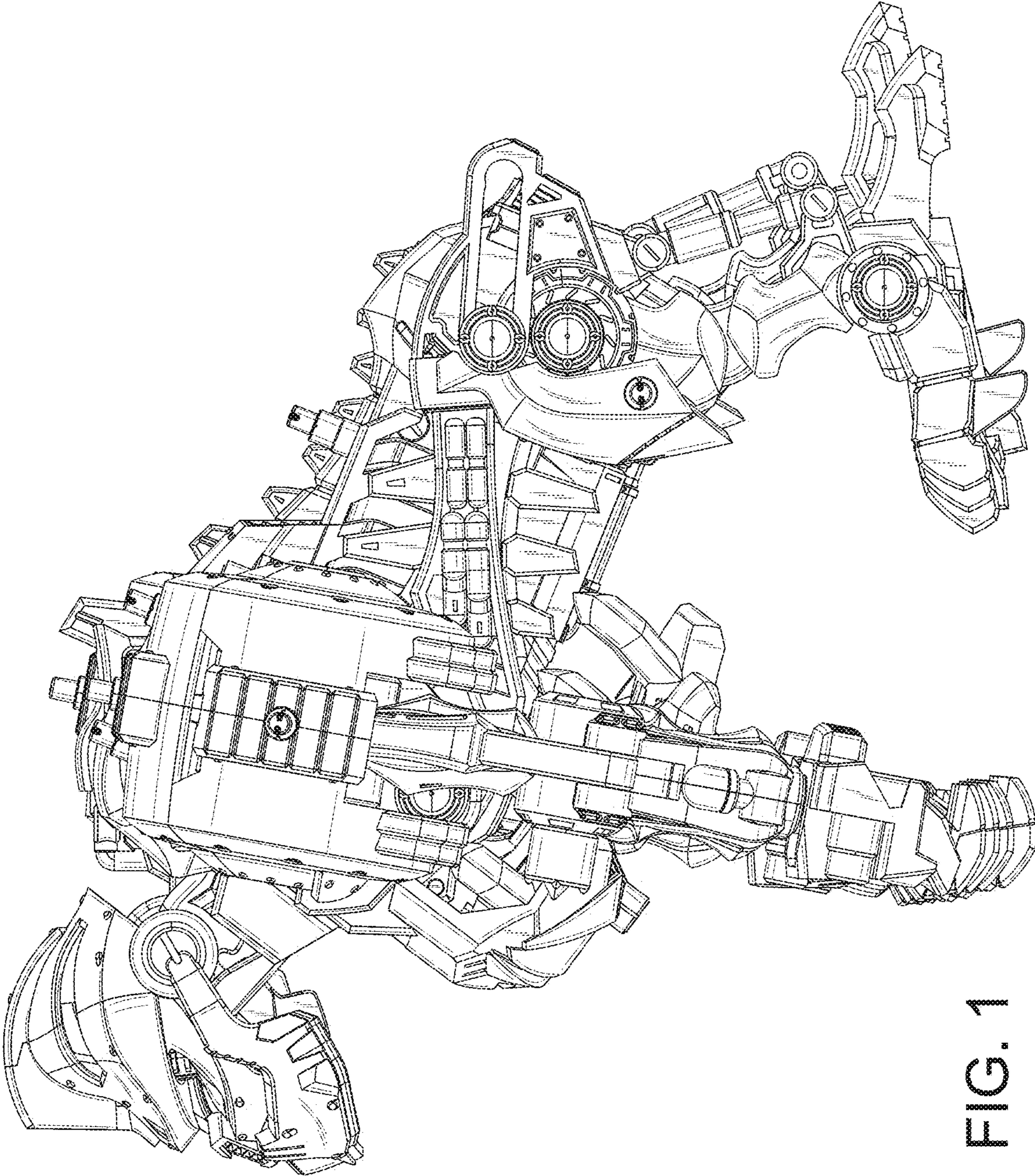


FIG. 1

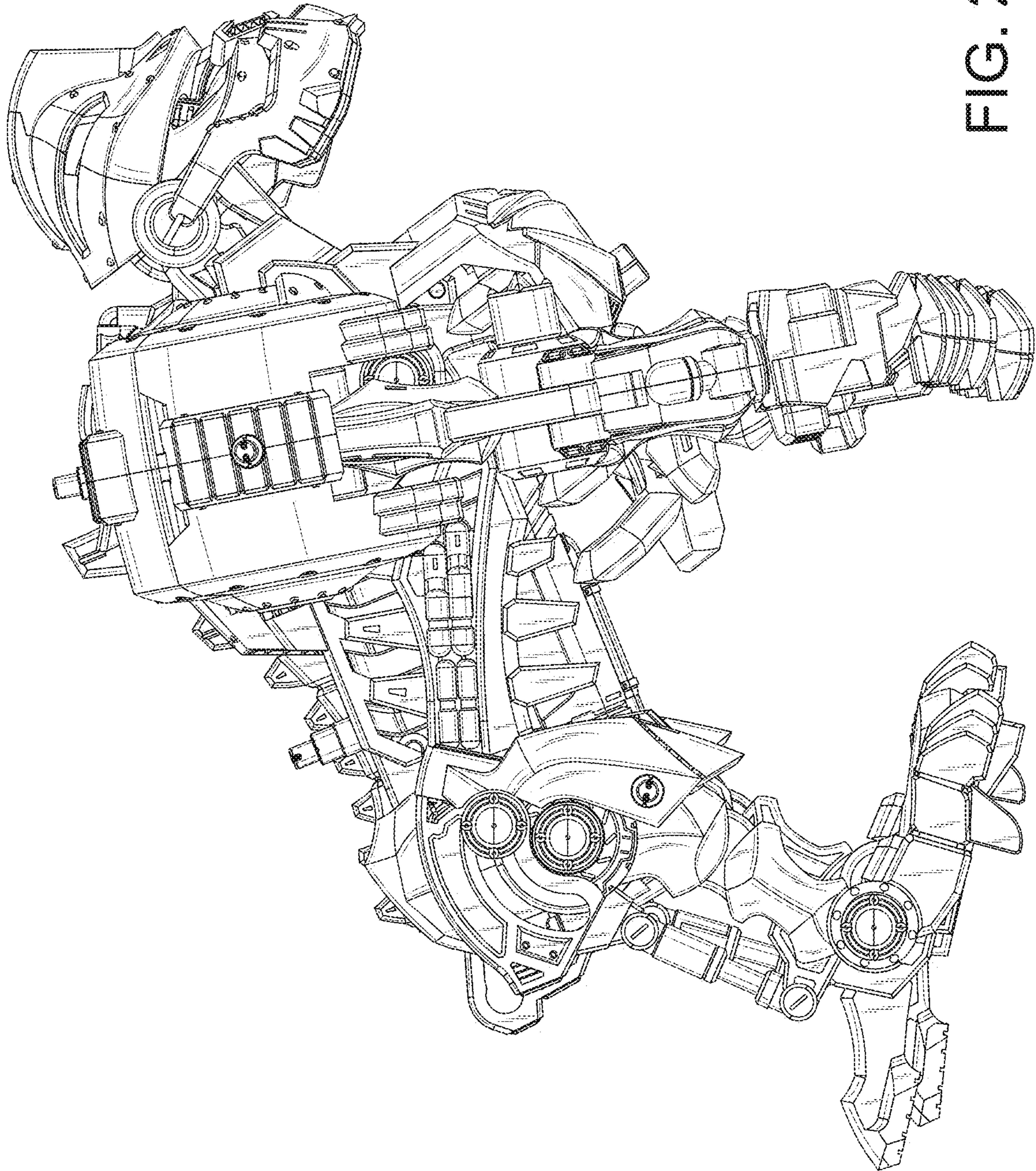


FIG. 2

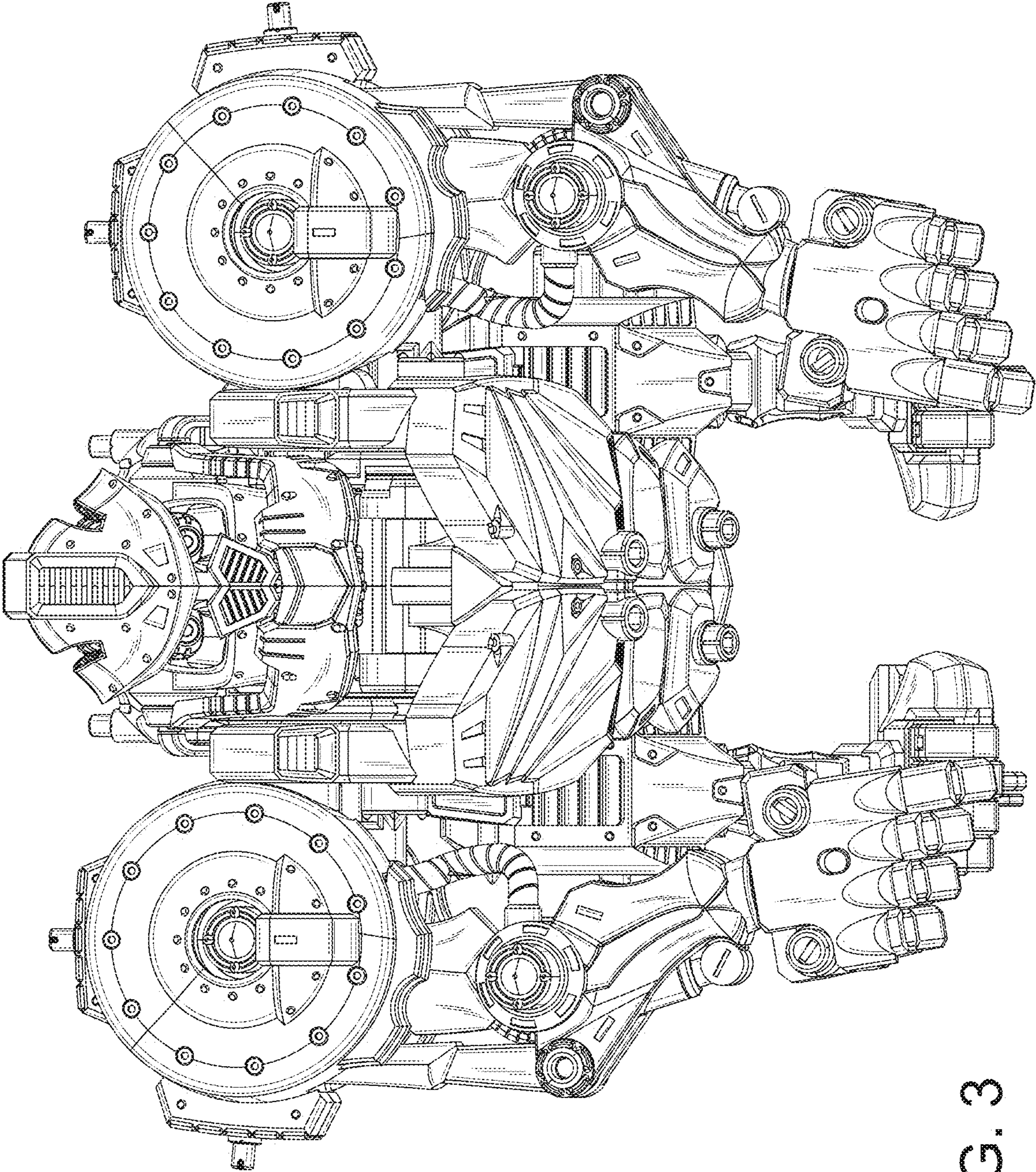


FIG. 3

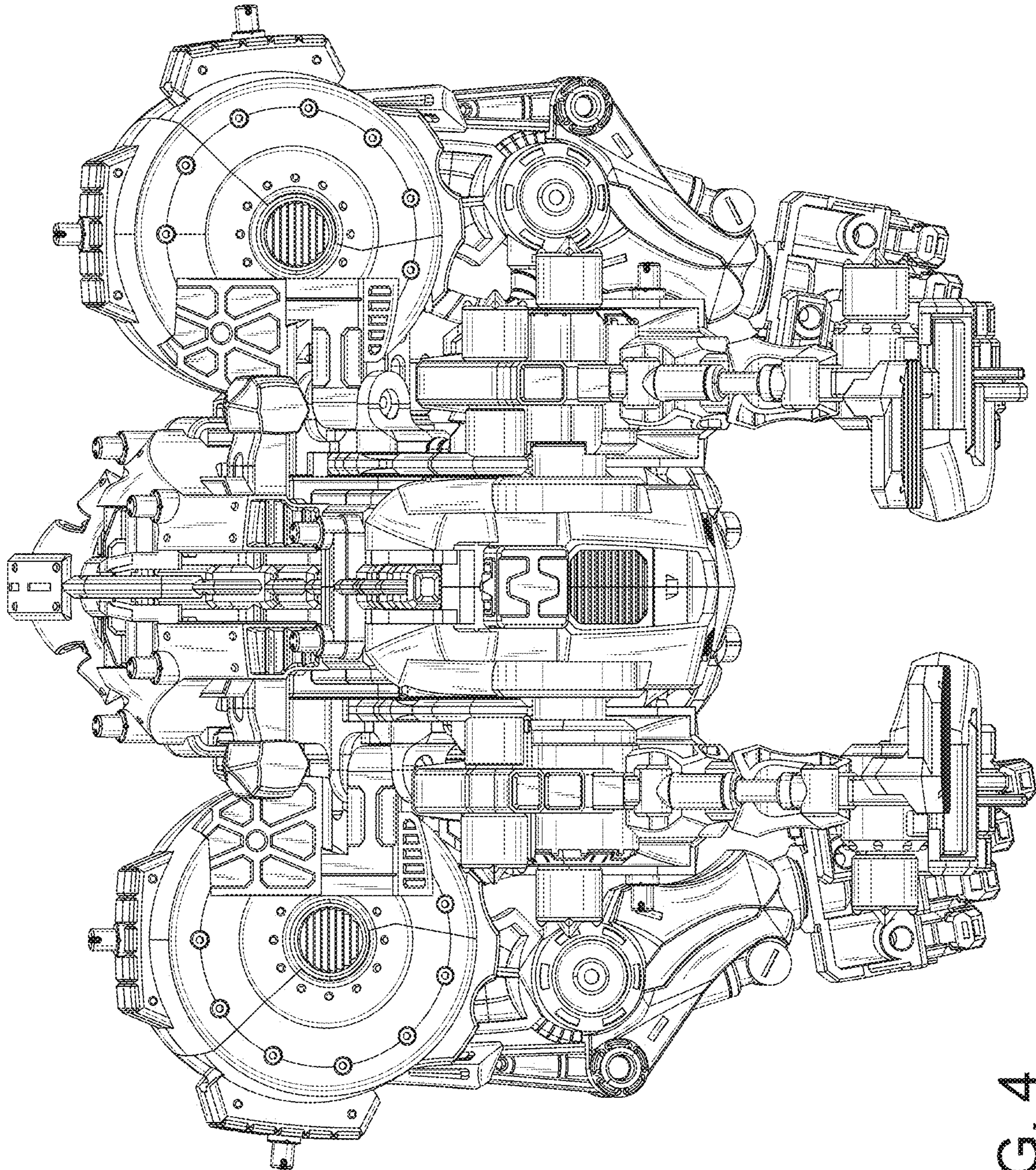


FIG. 4

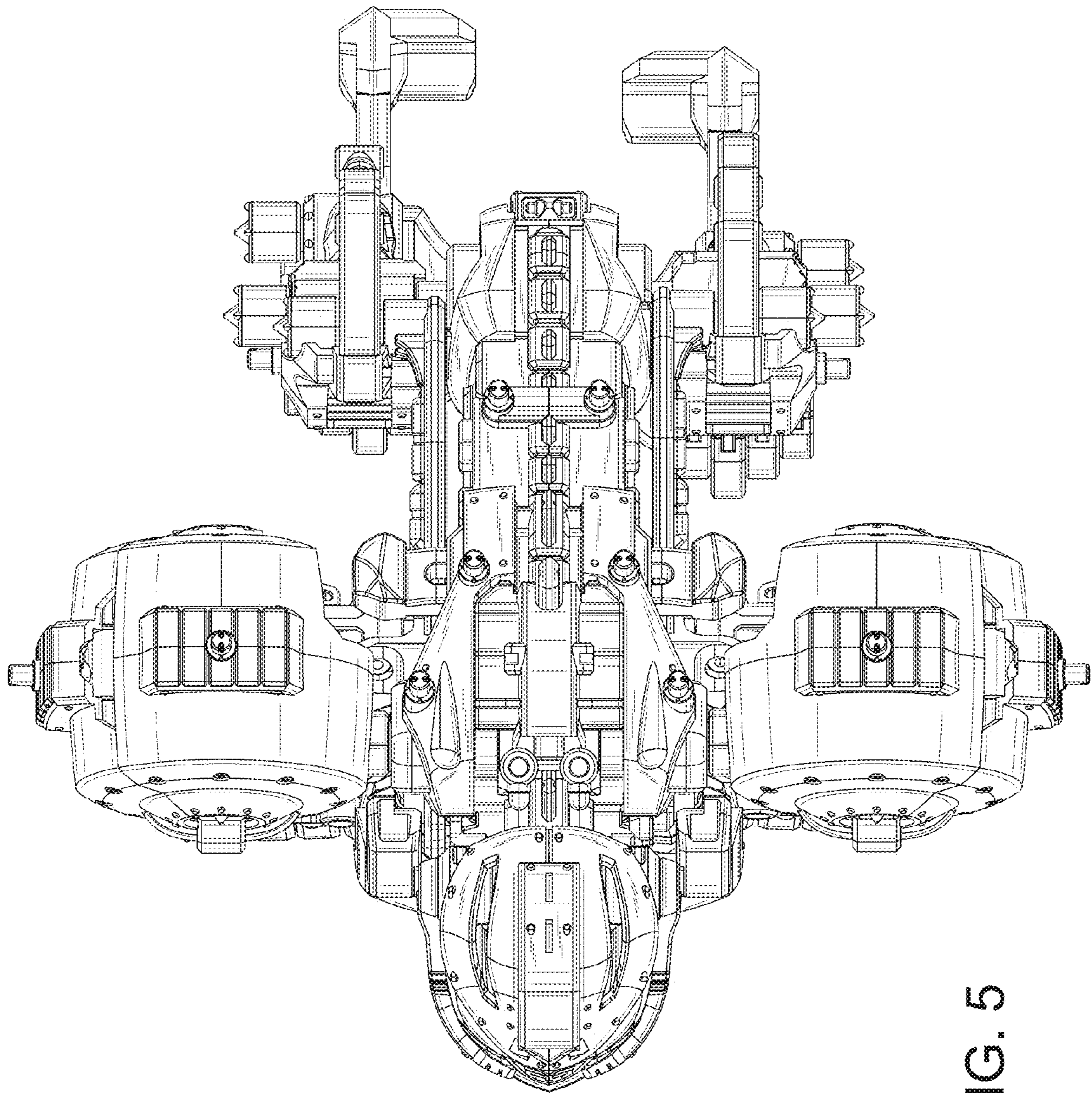


FIG. 5

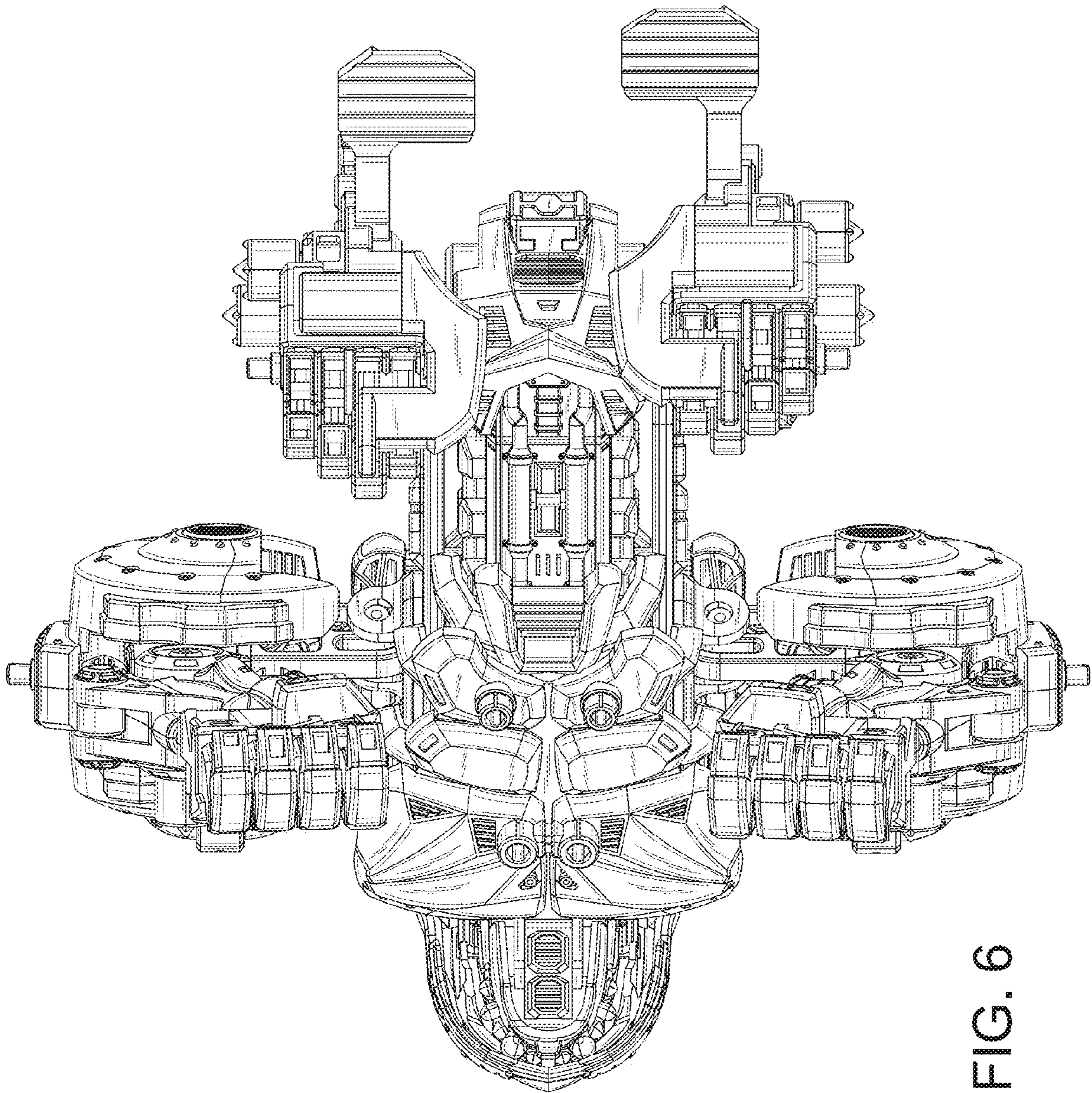


FIG. 6

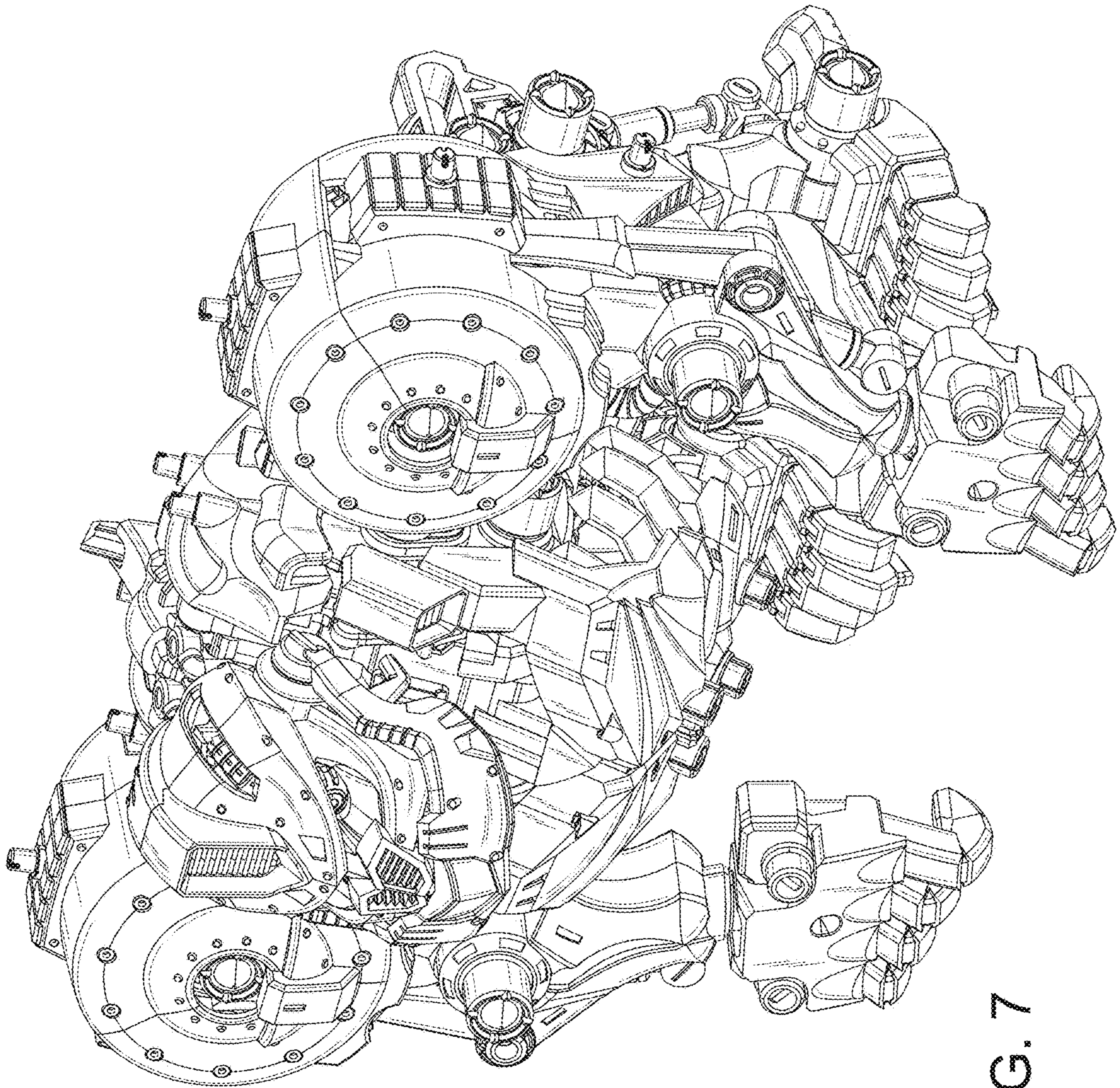


FIG. 7

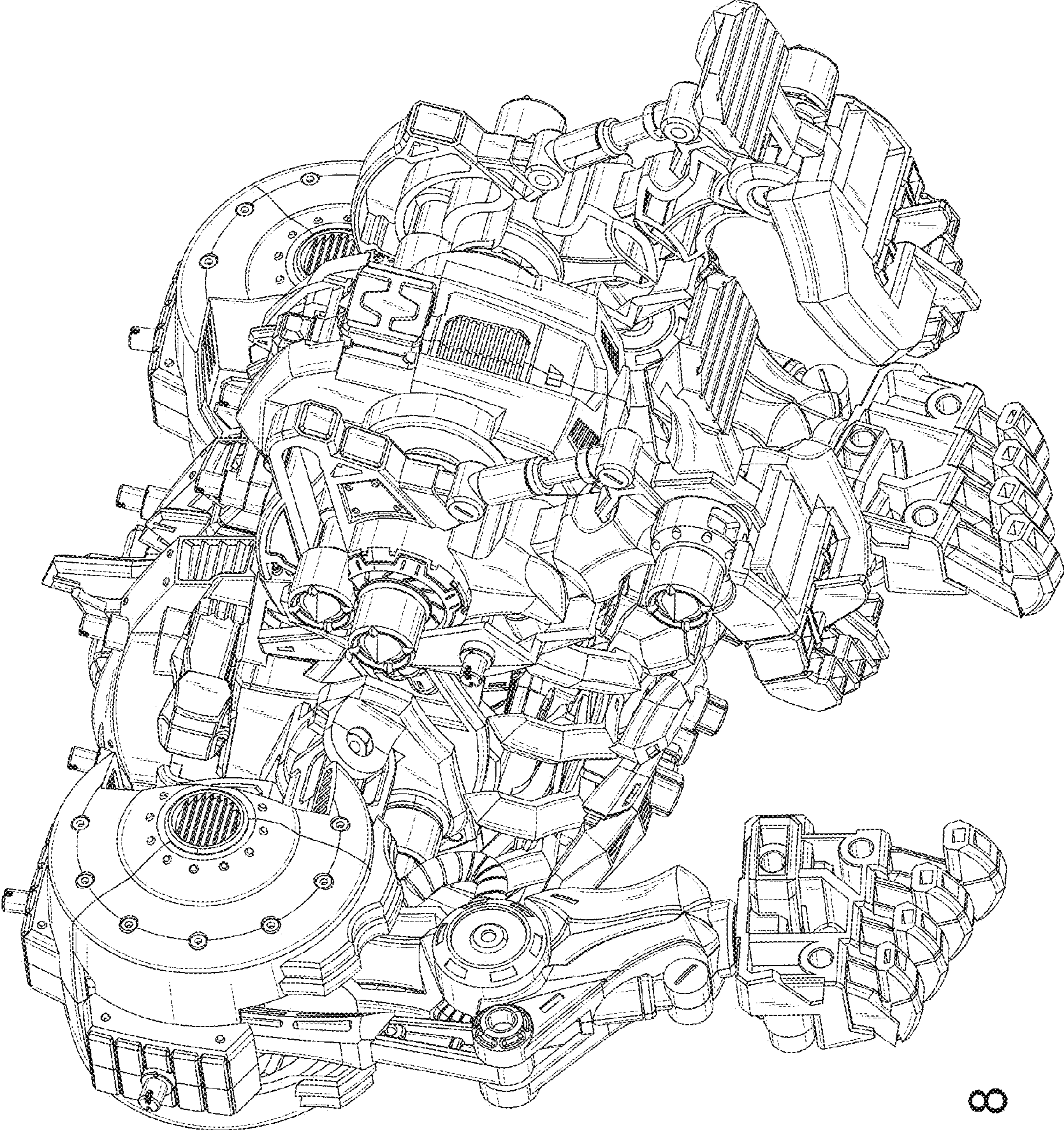


FIG. 8

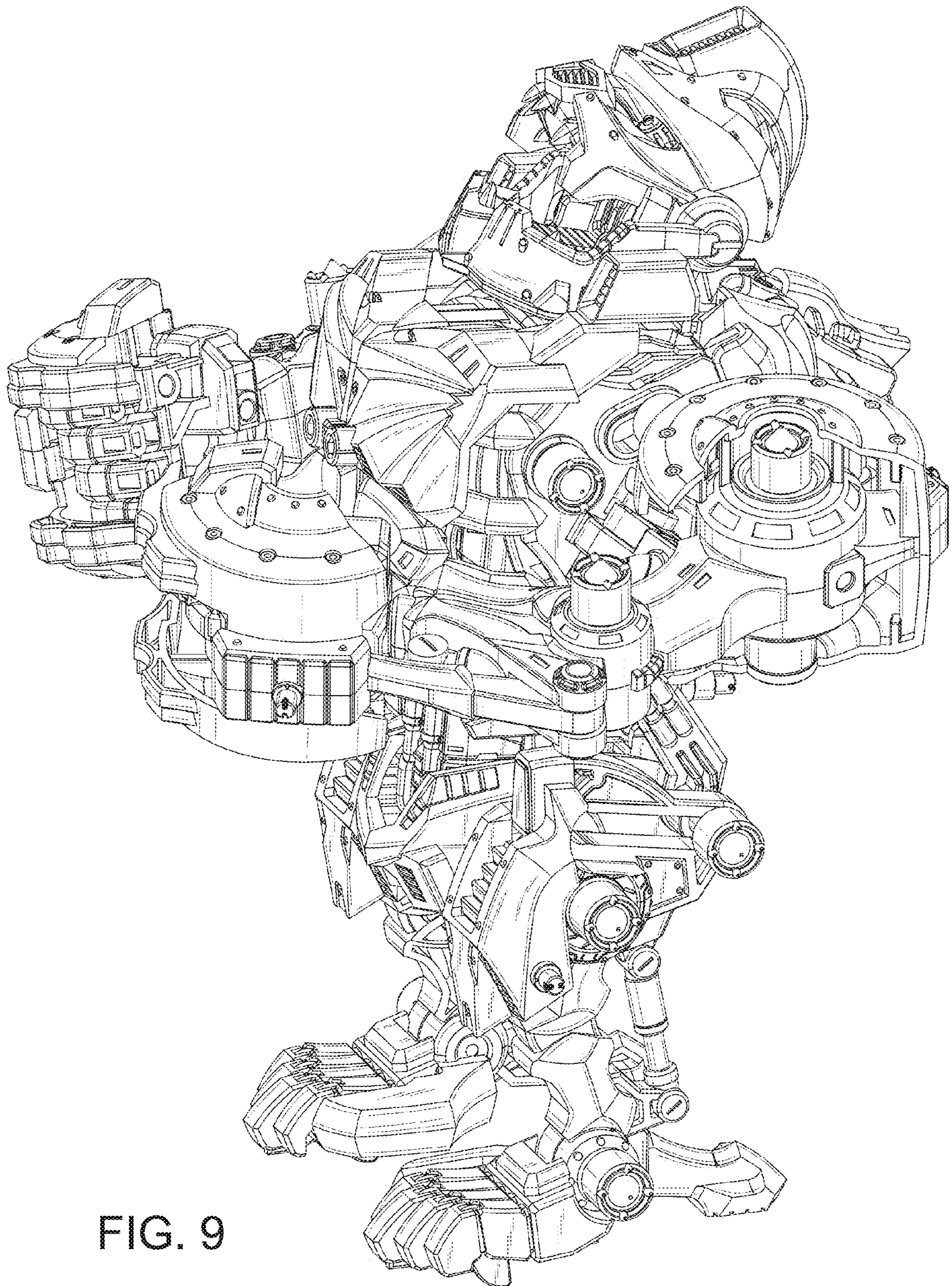


FIG. 9

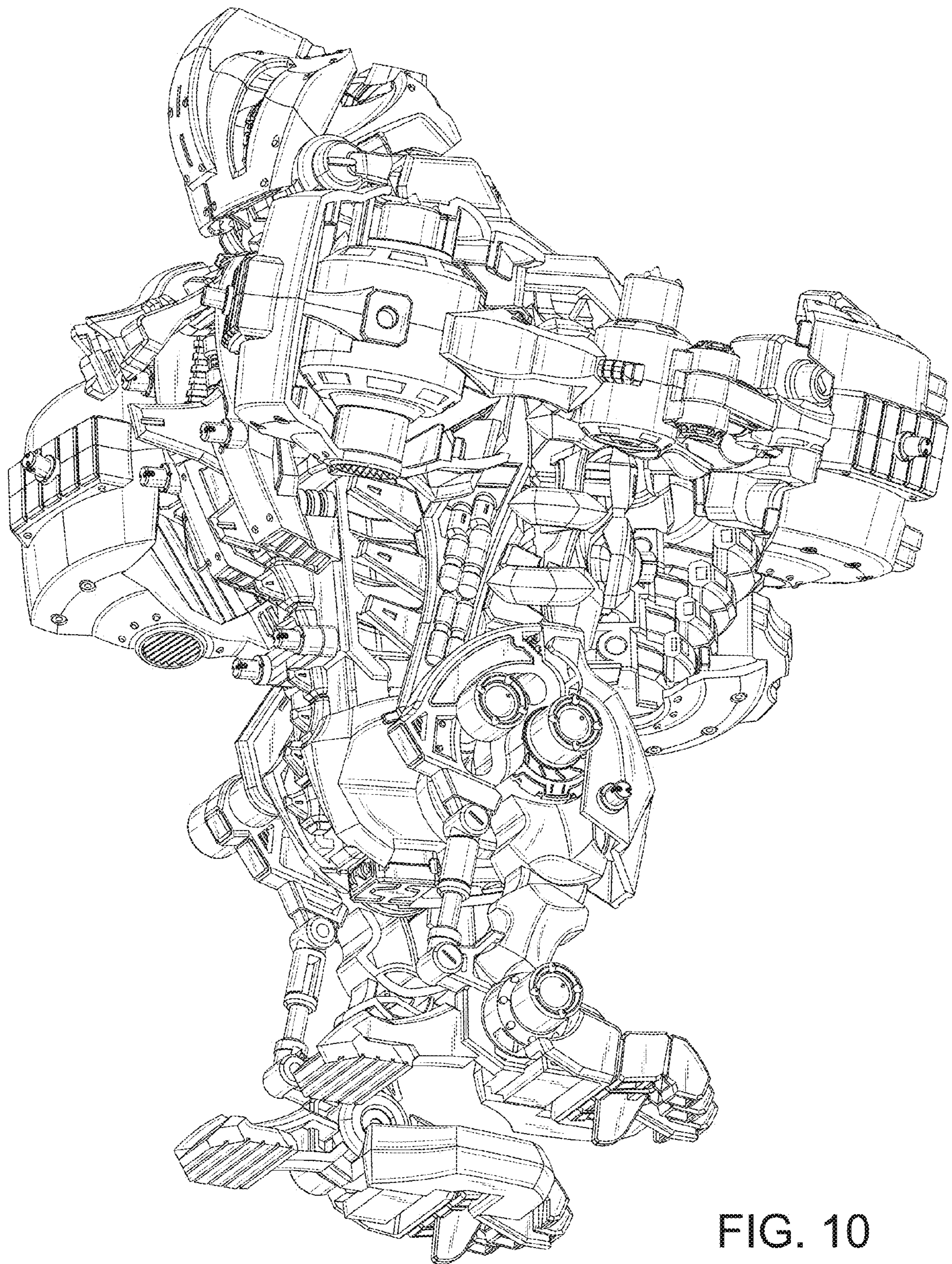


FIG. 10