



US00D870210S

(12) **United States Design Patent**
Wozniak

(10) **Patent No.:** **US D870,210 S**

(45) **Date of Patent:** **** Dec. 17, 2019**

(54) **TOY VEHICLE**

(71) Applicant: **MerchSource, LLC**, Irvine, CA (US)

(72) Inventor: **Leonard Wozniak**, Westlake Village, CA (US)

(73) Assignee: **MerchSource, LLC**, Irvine, CA (US)

(**) Term: **15 Years**

(21) Appl. No.: **29/658,586**

(22) Filed: **Aug. 1, 2018**

(51) **LOC (12) Cl.** **21-01**

(52) **U.S. Cl.**
USPC **D21/550**; D12/83

(58) **Field of Classification Search**
USPC D12/86, 88, 90-93, 164, 173, 184-186,
D12/190, 196; D21/419, 421, 423-426,
D21/433-434, 548, 549, 550, 552,
D21/559-561, 562
CPC A63H 17/26; A63H 17/262; A63H 17/264;
A63H 17/266; A63H 17/36; A63H 17/38;
A63H 29/00; A63H 29/22; A63H 29/24;
A63H 30/04

See application file for complete search history.

(56) **References Cited**

U.S. PATENT DOCUMENTS

D294,278 S * 2/1988 Ukisu D21/560
D527,772 S * 9/2006 Bowen D21/533
D607,518 S * 1/2010 Poolman D21/550
D620,538 S * 7/2010 Poolman D21/550
9,381,443 B2 * 7/2016 Barse A63H 33/005

D813,958 S * 3/2018 Dooley D21/533
2002/0011368 A1 * 1/2002 Berg B60K 7/00
180/218
2005/0148282 A1 * 7/2005 Moll A63H 17/00
446/456
2006/0211332 A1 * 9/2006 Leonov A63H 17/40
446/465
2012/0185087 A1 * 7/2012 Kang B62D 57/024
700/245

* cited by examiner

Primary Examiner — Manpreet S Matharu

Assistant Examiner — Keith J Wilson

(74) *Attorney, Agent, or Firm* — Avyno Law P.C.

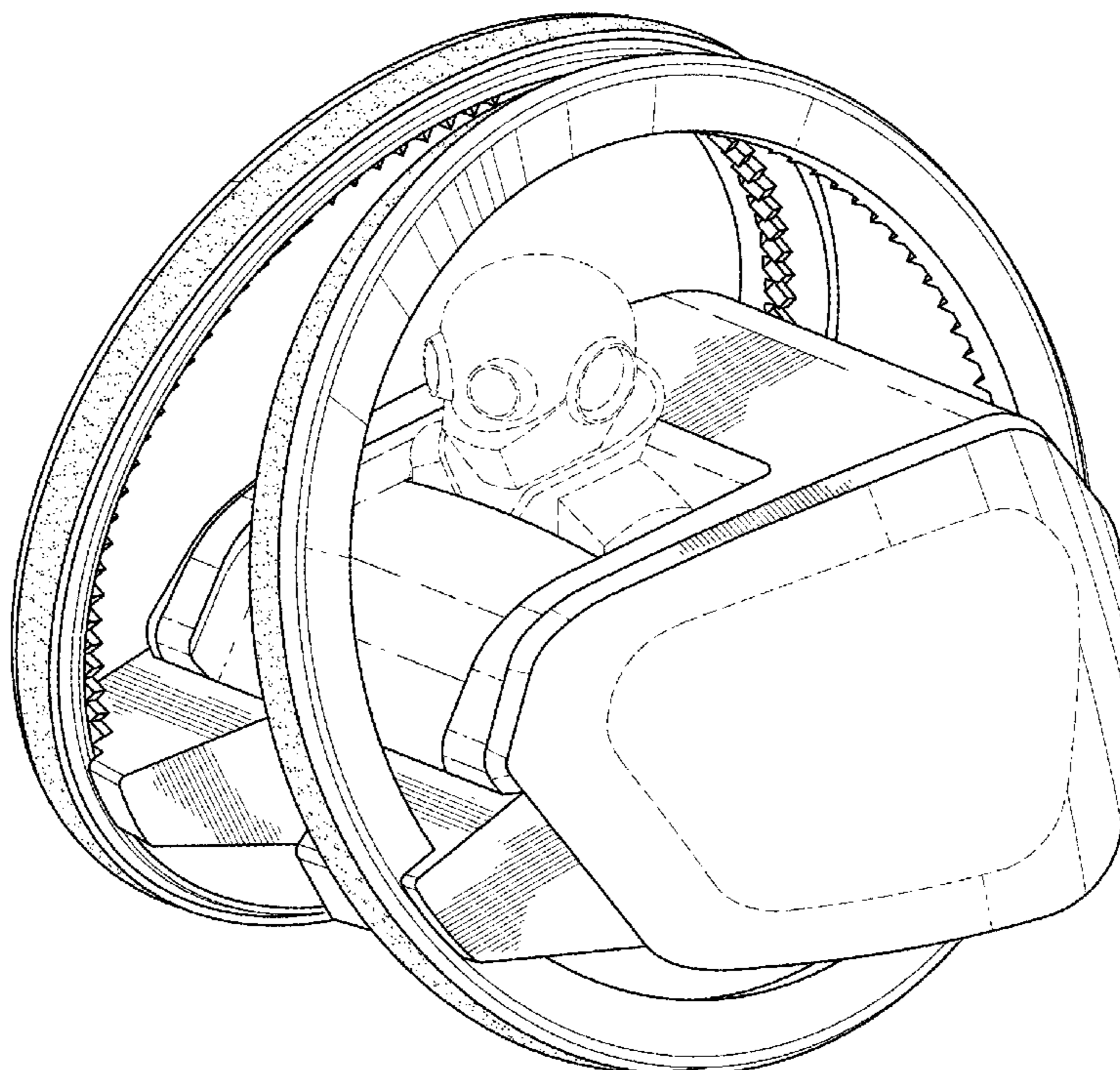
(57) **CLAIM**

I claim the ornamental design for a toy vehicle, as shown and described.

DESCRIPTION

FIG. 1 is a front perspective view of a toy vehicle.
FIG. 2 is a rear perspective view of the toy vehicle of FIG. 1.
FIG. 3 is a side view of the right side of the toy vehicle of FIG. 1.
FIG. 4 is a side view of the left side of the toy vehicle of FIG. 1.
FIG. 5 is a front view of the toy vehicle of FIG. 1.
FIG. 6 is a rear view of the toy vehicle of FIG. 1.
FIG. 7 is a top view of the toy vehicle of FIG. 1.
FIG. 8 is a bottom view of the toy vehicle of FIG. 1.
The dashed broken lines shown represent portions of a remote control vehicle and form no part of the claimed design.

1 Claim, 8 Drawing Sheets



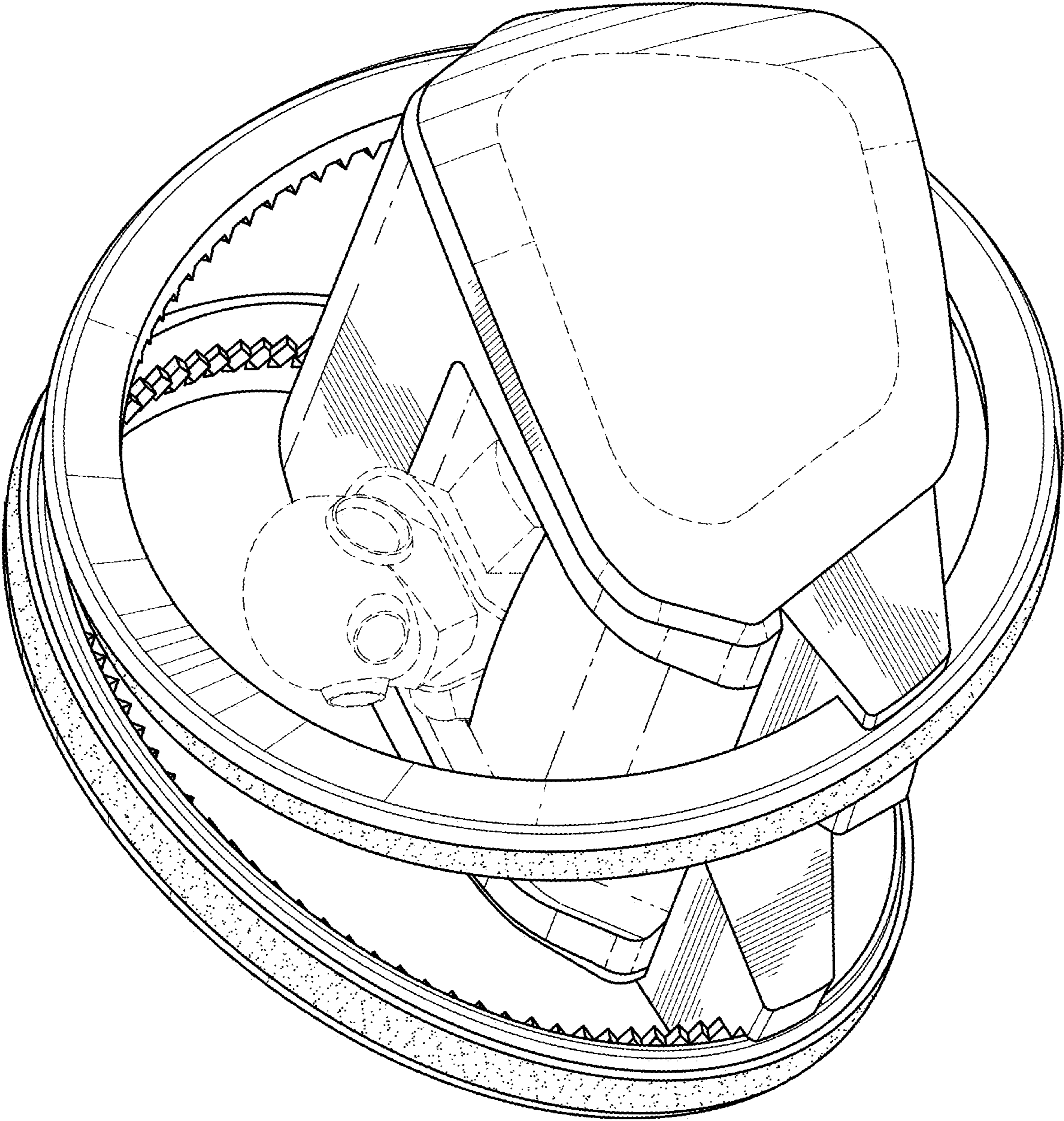


FIG. 1

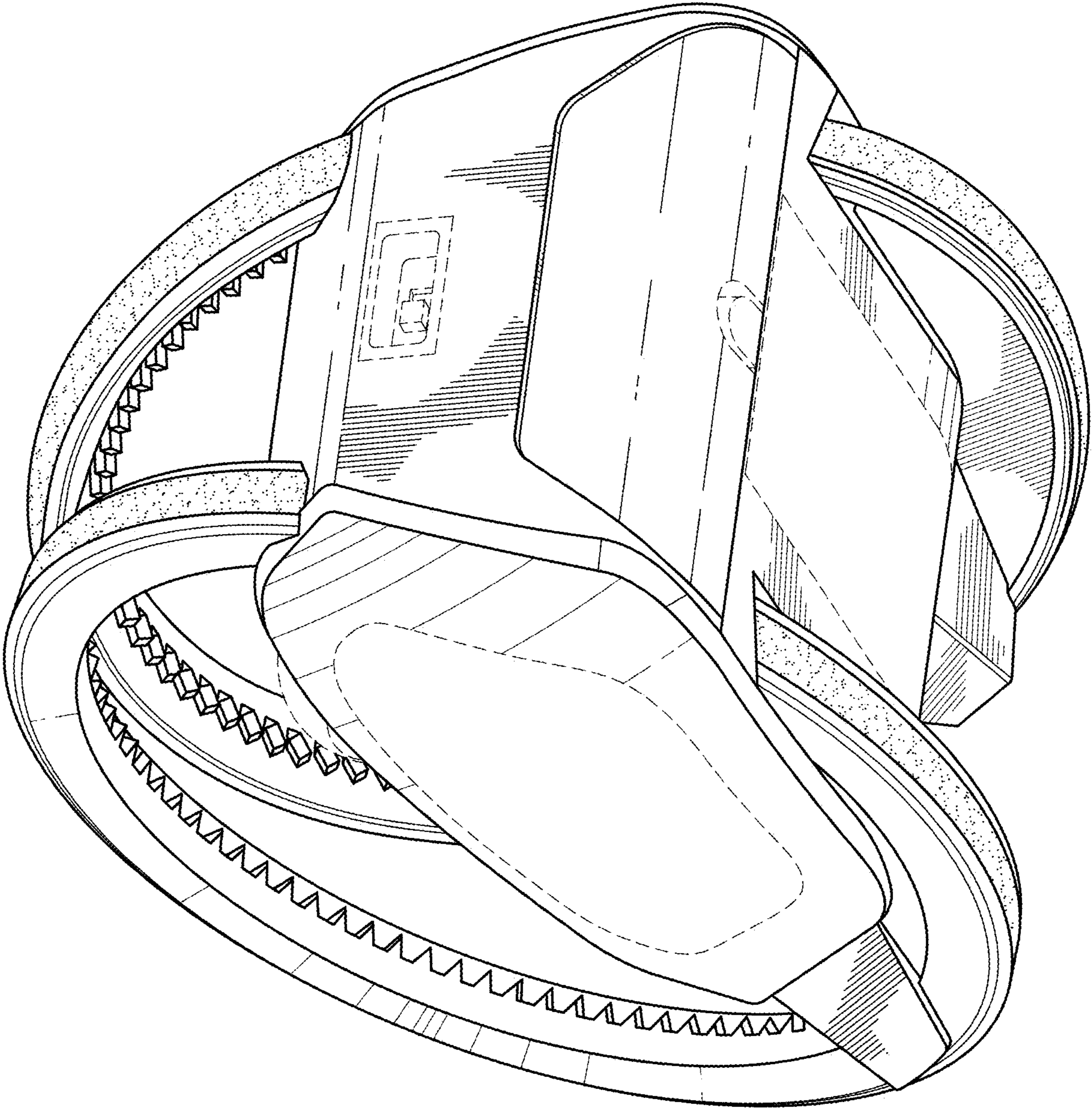


FIG. 2

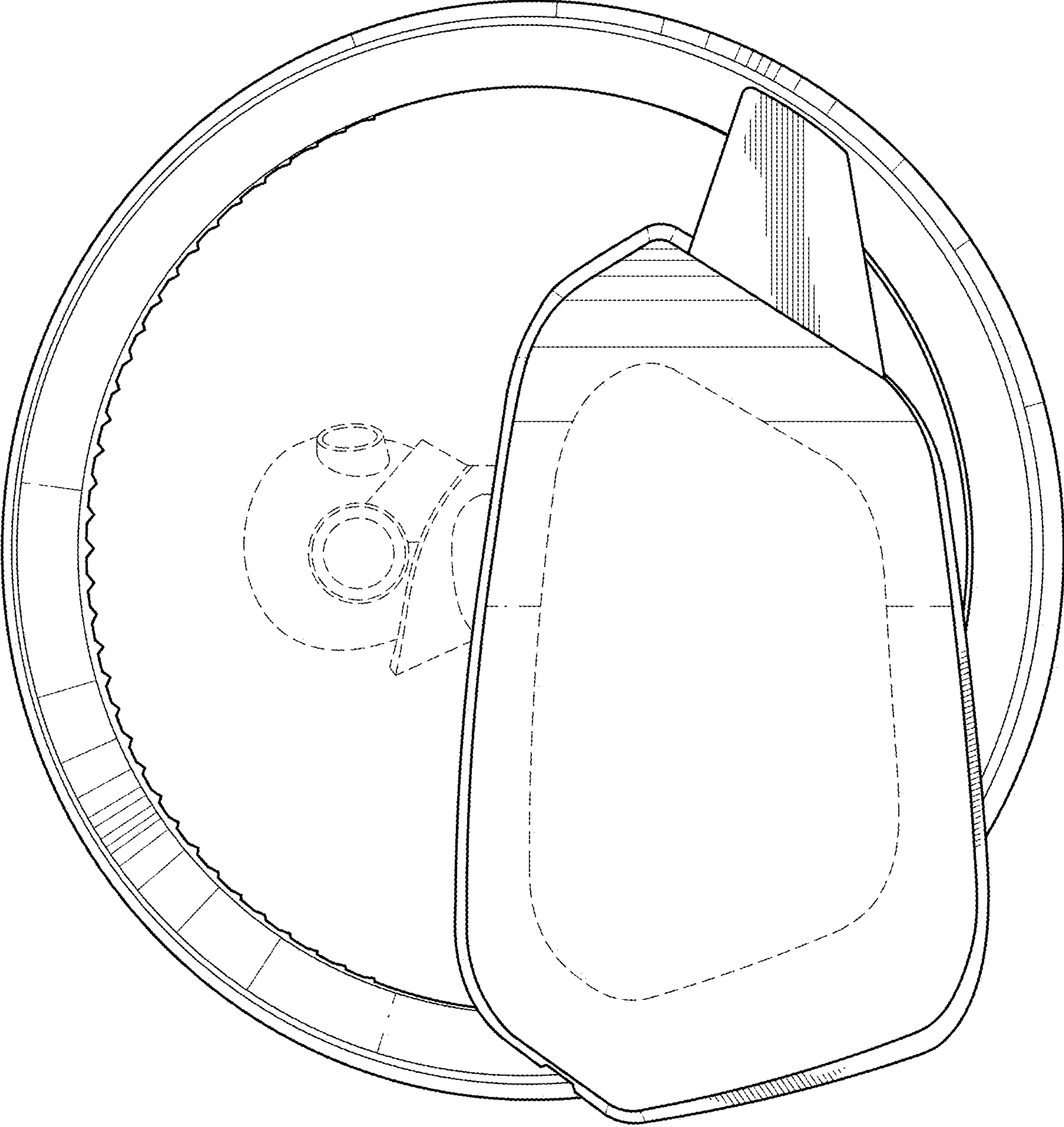


FIG. 3

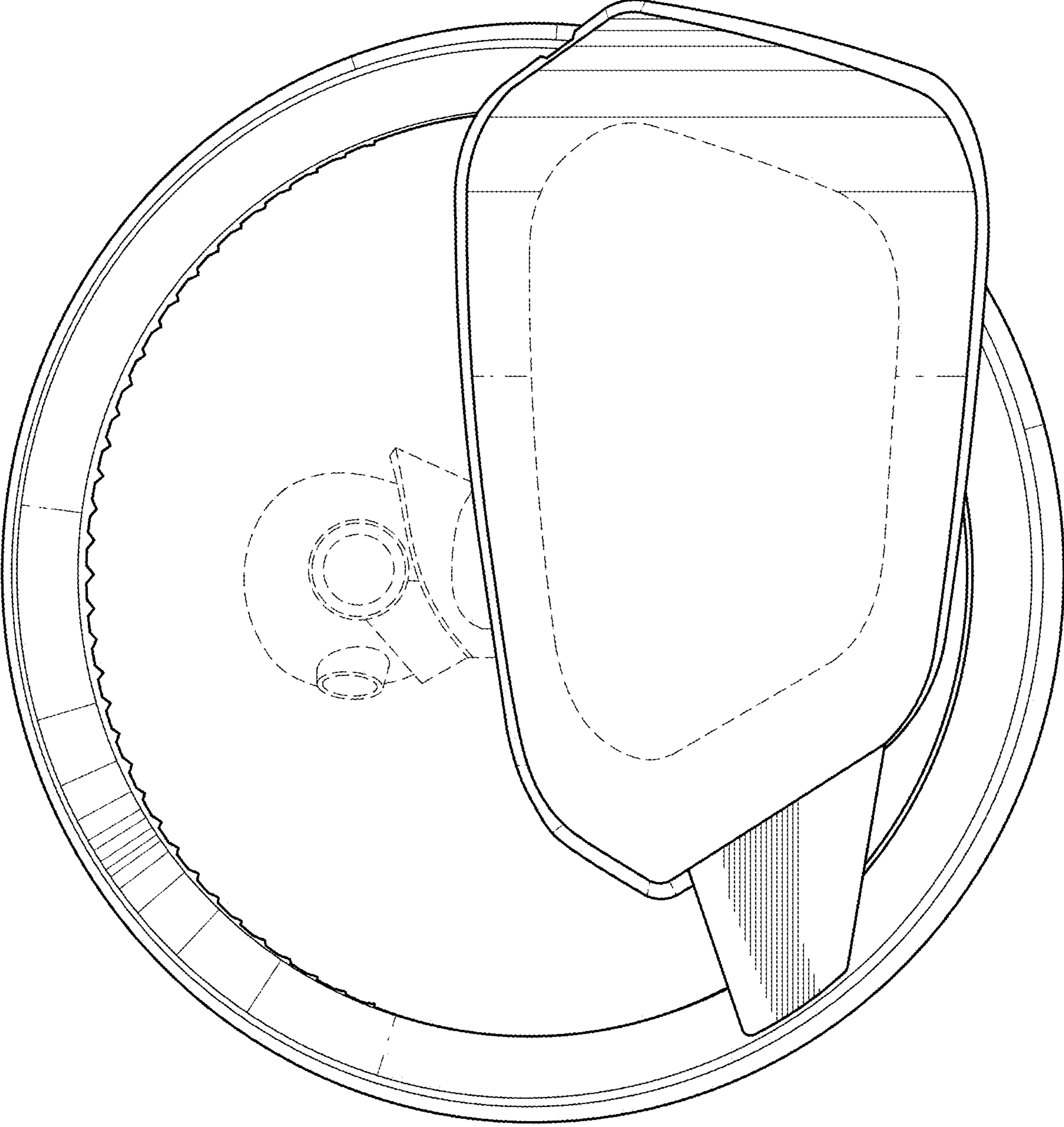


FIG. 4

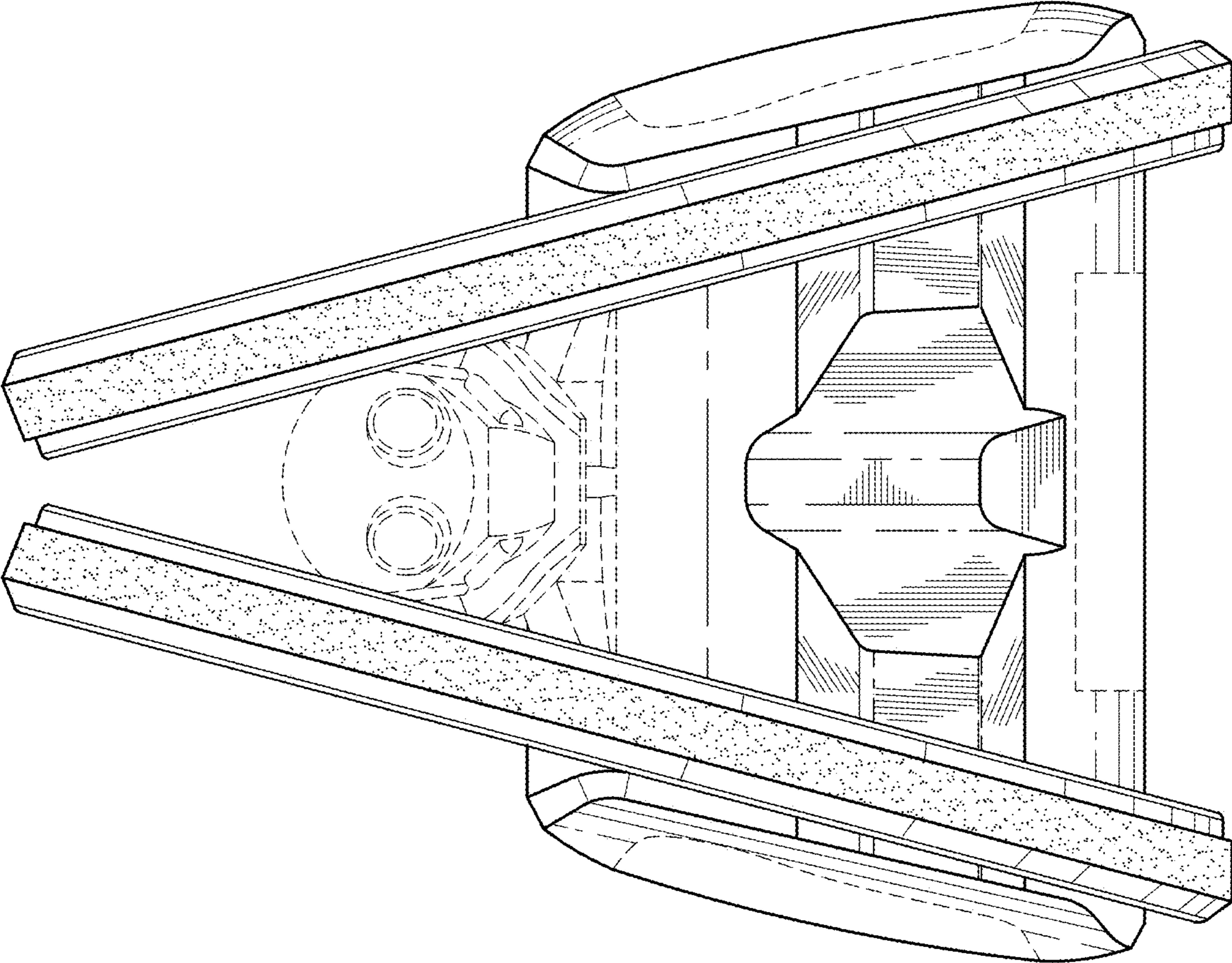


FIG. 5

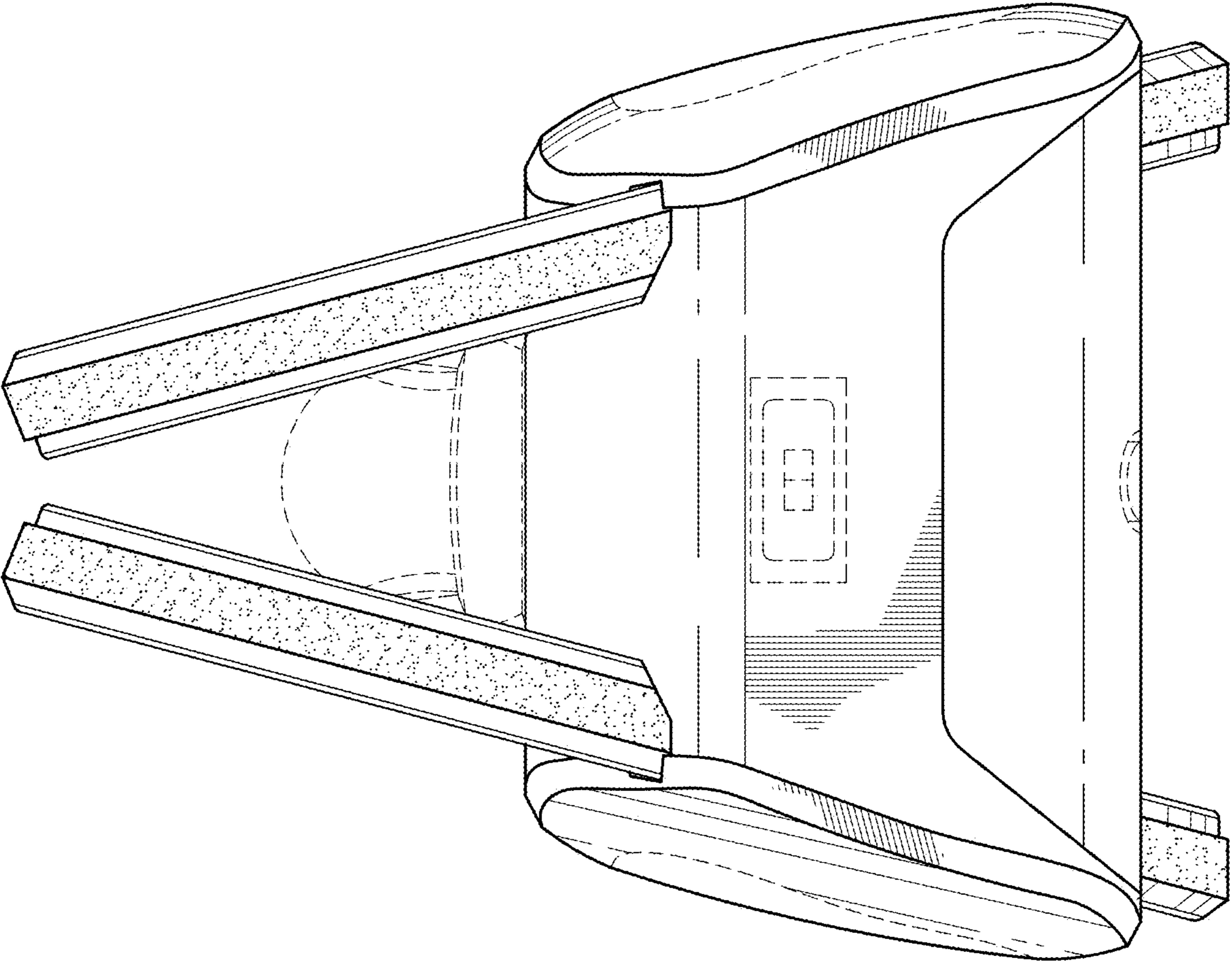


FIG. 6

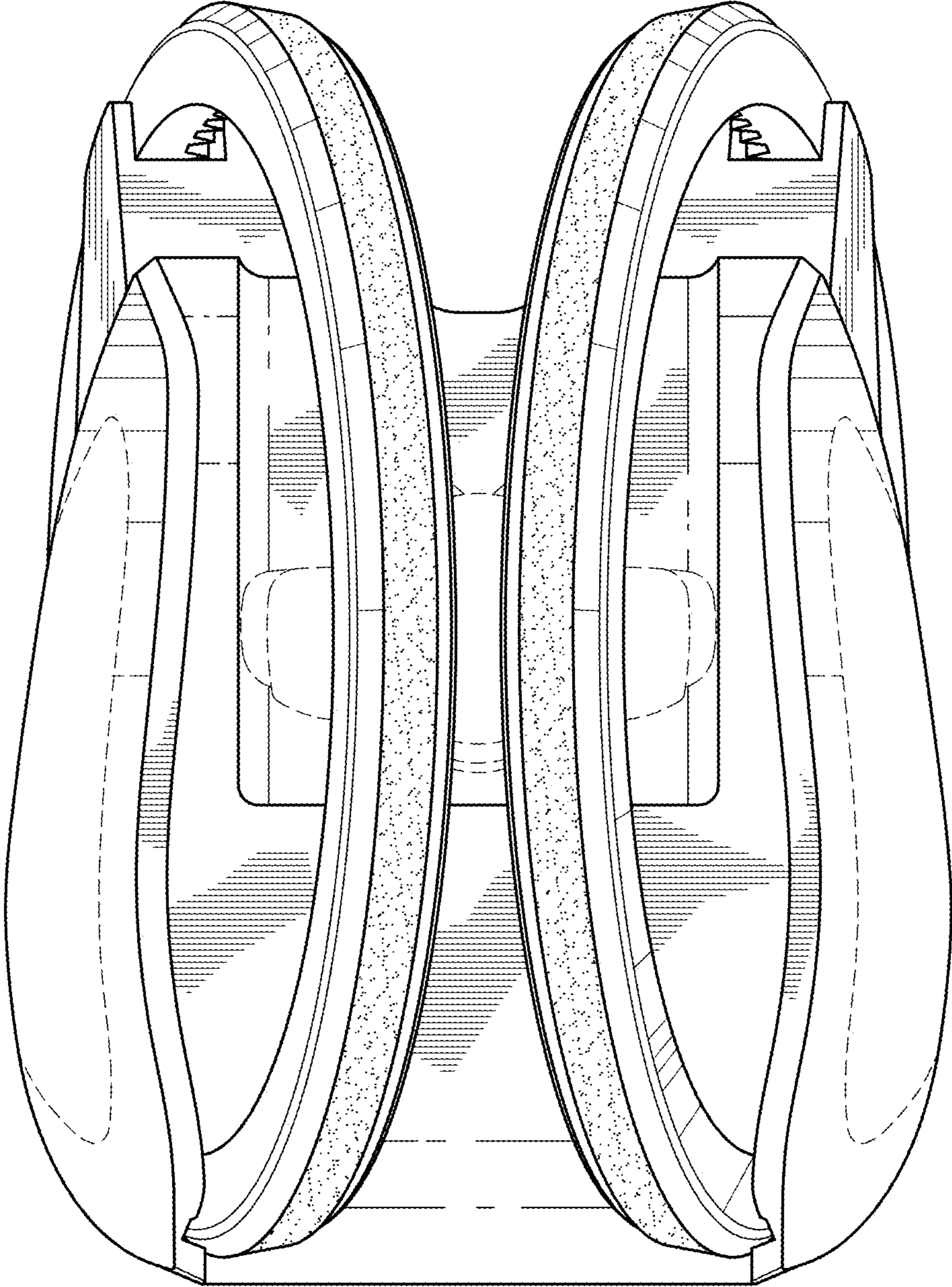


FIG. 7

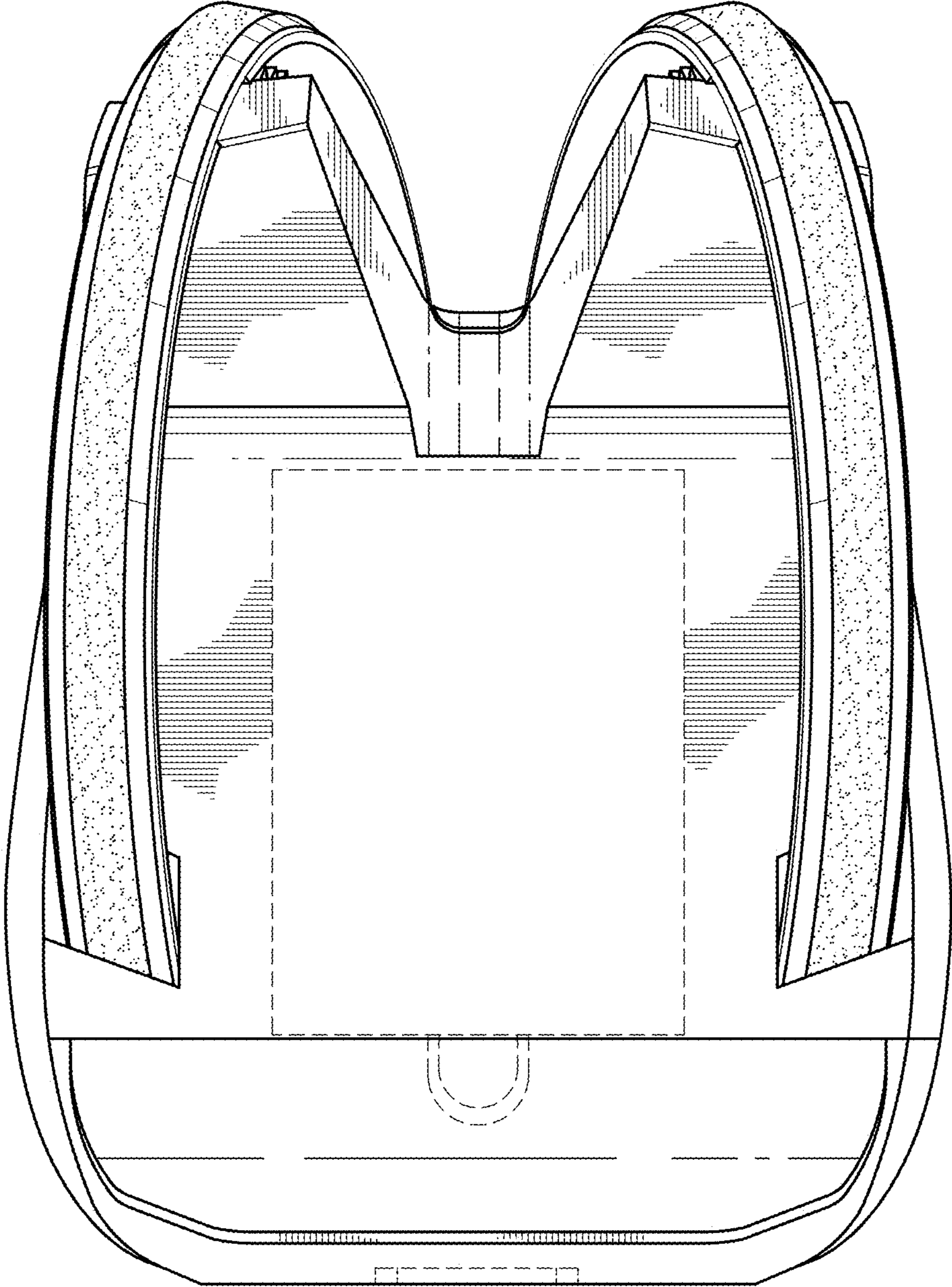


FIG. 8