



US00D870204S

(12) **United States Design Patent**  
**Kopp**

(10) **Patent No.:** **US D870,204 S**

(45) **Date of Patent:** **\*\* Dec. 17, 2019**

(54) **WRITING INSTRUMENT**

(71) Applicant: **SCHNEIDER SCHREIBGERÄTE GMBH, Schramberg (DE)**

(72) Inventor: **Klaus Kopp, Schramberg (DE)**

(73) Assignee: **Schneider Schreibgeräte GmbH, Schramberg (DE)**

(\*\*) Term: **15 Years**

(21) Appl. No.: **35/505,319**

(22) Filed: **May 28, 2018**

(80) **Hague Agreement Data**

Int. Filing Date: **May 28, 2018**

Int. Reg. No.: **DM/101857**

Int. Reg. Date: **May 28, 2018**

Int. Reg. Pub. Date: **Jul. 20, 2018**

(51) **LOC (12) Cl.** ..... **19-06**

(52) **U.S. Cl.**  
USPC ..... **D19/171**

(58) **Field of Classification Search**  
USPC ..... D19/115–204  
CPC ..... B43K 24/03; B43K 23/12; B43K 23/001;  
G09B 5/04; G06F 3/03545  
See application file for complete search history.

(56) **References Cited**

**U.S. PATENT DOCUMENTS**

D628,629 S \* 12/2010 Liu ..... D19/130  
D645,509 S \* 9/2011 Hung ..... D19/163  
D659,756 S \* 5/2012 Liang ..... D19/163  
D667,876 S \* 9/2012 Xie ..... D19/163  
D711,469 S \* 8/2014 Tam ..... D19/163

D728,024 S \* 4/2015 Shimada ..... D19/163  
D818,043 S \* 5/2018 Zhao ..... D19/173  
D847,261 S \* 4/2019 Gatti ..... D19/164

\* cited by examiner

*Primary Examiner* — Khawaja Anwar

(74) *Attorney, Agent, or Firm* — Volpe and Koenig, P.C.

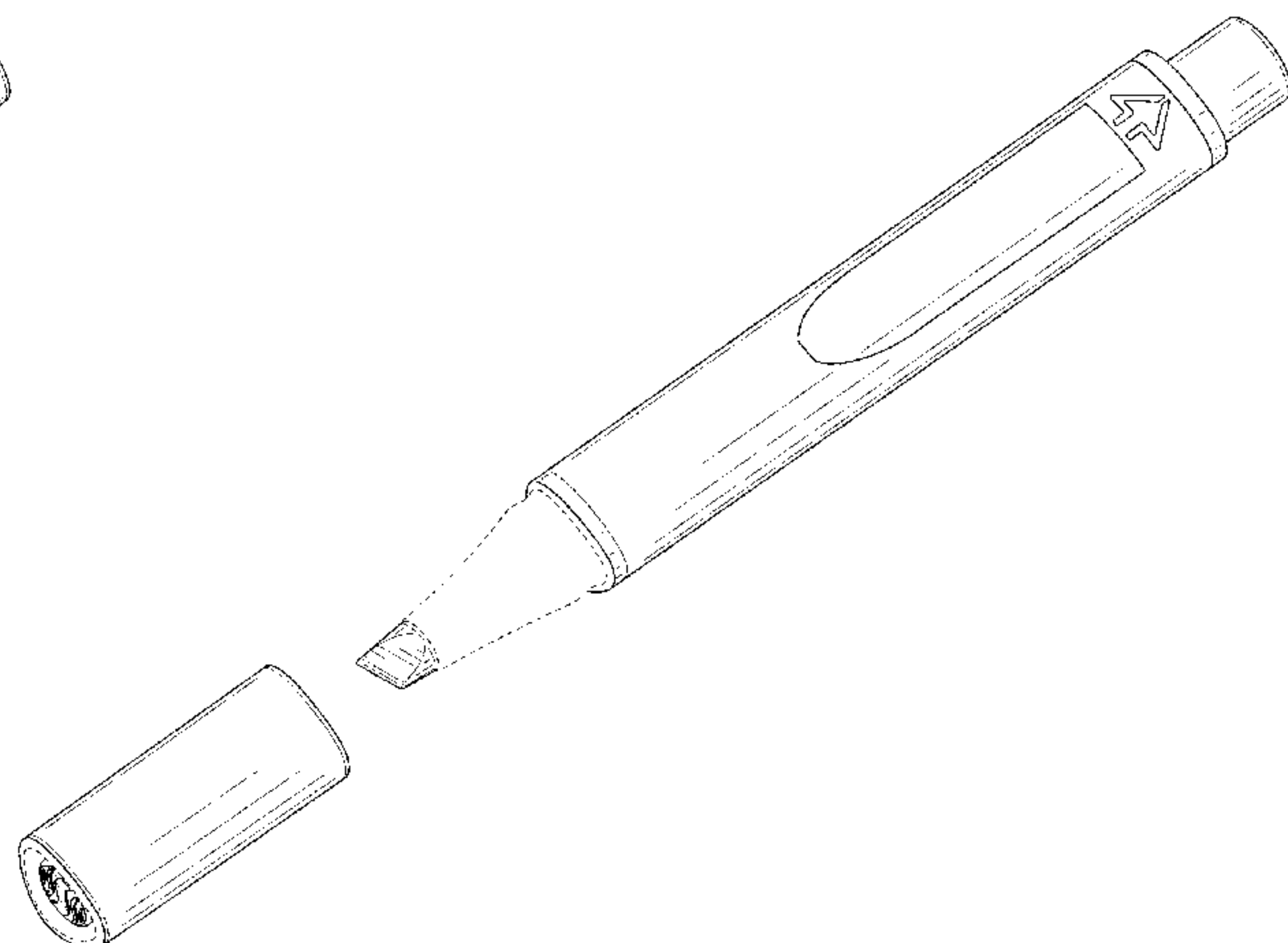
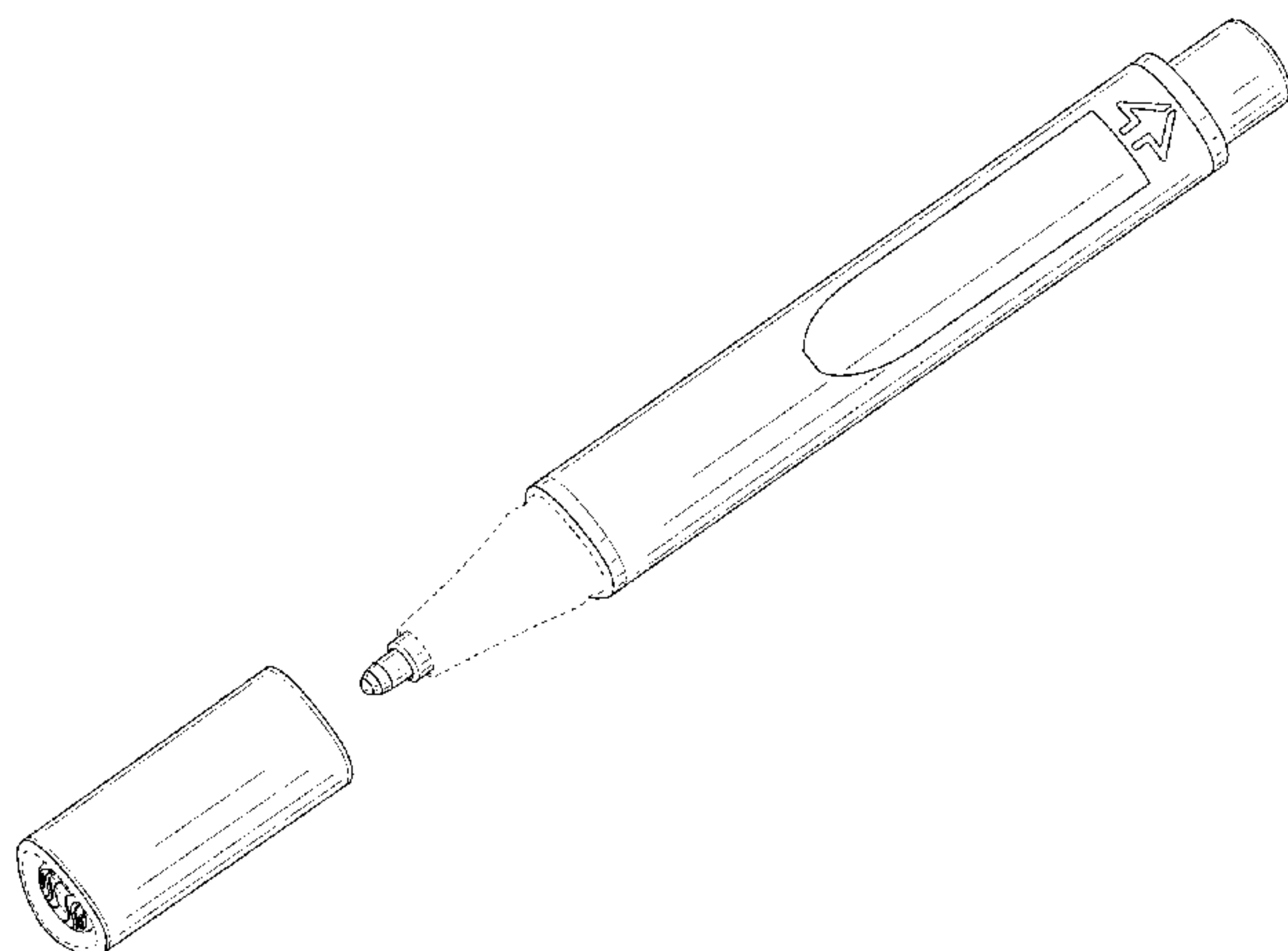
(57) **CLAIM**

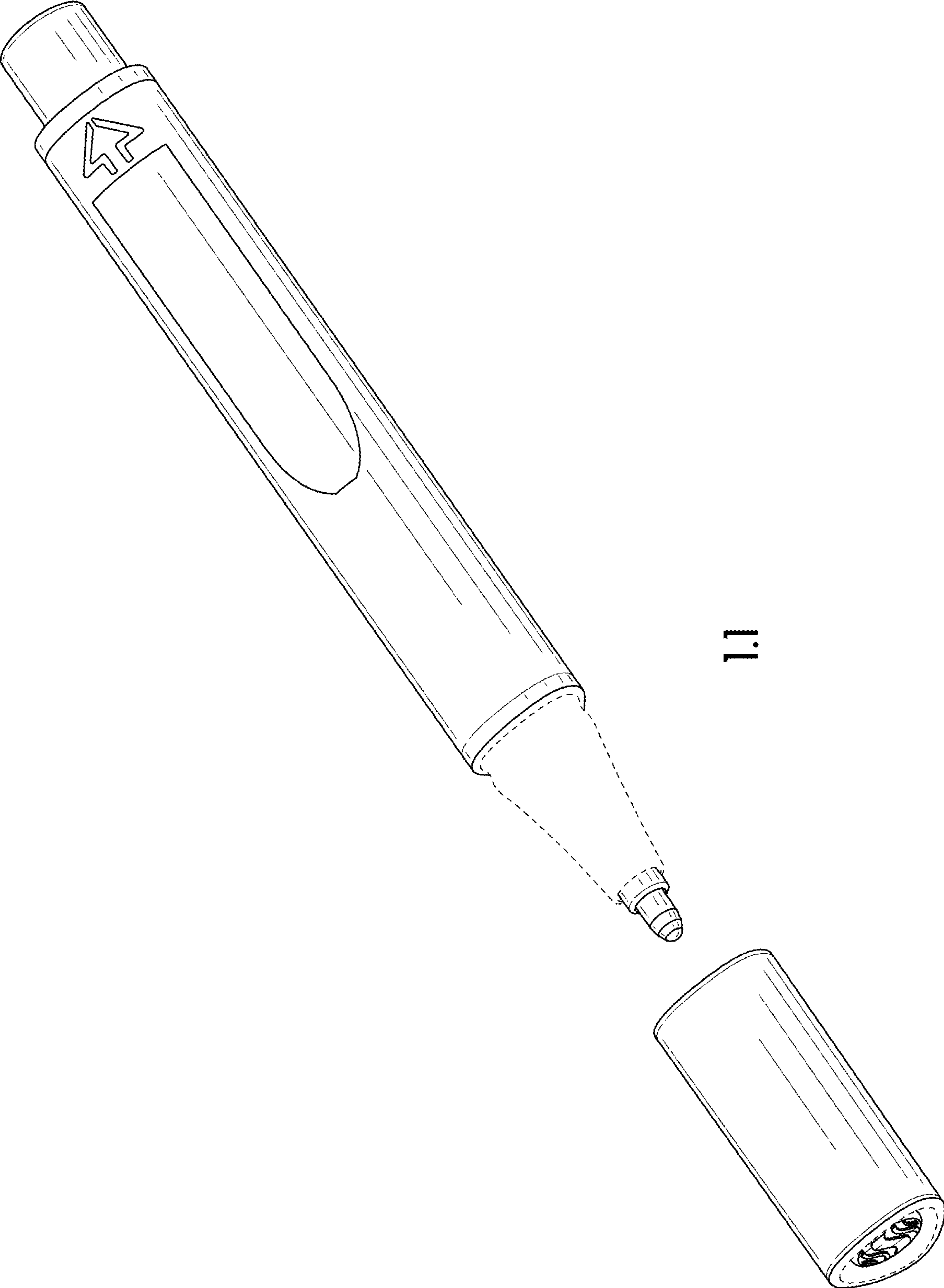
The ornamental design for writing instrument, as shown and described.

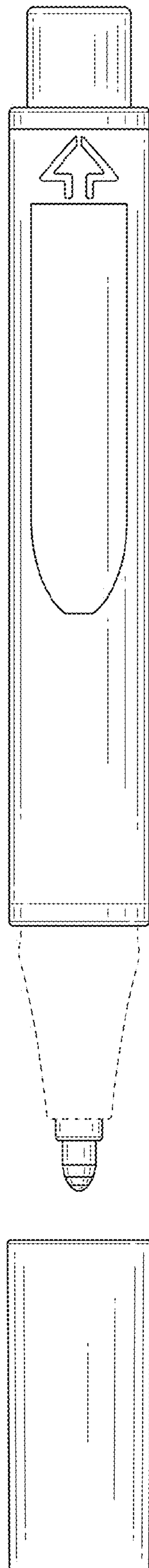
**DESCRIPTION**

- 1.-2. Writing instruments
  - 1.1: Perspective
  - 1.2: Front
  - 1.3: Left
  - 1.4: Right
  - 1.5: Back
  - 1.6: Bottom
  - 1.7: Top
  - 1.8: Bottom view of the cap
  - 1.9: Top view of the cap
  - 1.10: Writing instrument with the cap closed
  - 2.1: Perspective
  - 2.2: Front
  - 2.3: Left
  - 2.4: Right
  - 2.5: Back
  - 2.6: Bottom
  - 2.7: Top
  - 2.8: Bottom view of the cap
  - 2.9: Top view of the cap
  - 2.10: Writing instrument with the cap closed
- The broken line shown represent portions of the writing instrument that form no part of the claimed design.

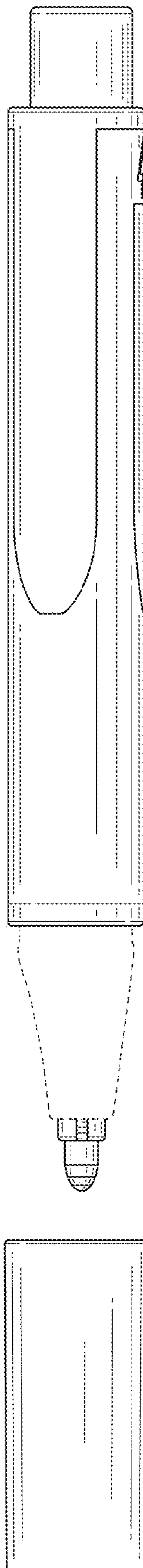
**1 Claim, 20 Drawing Sheets**



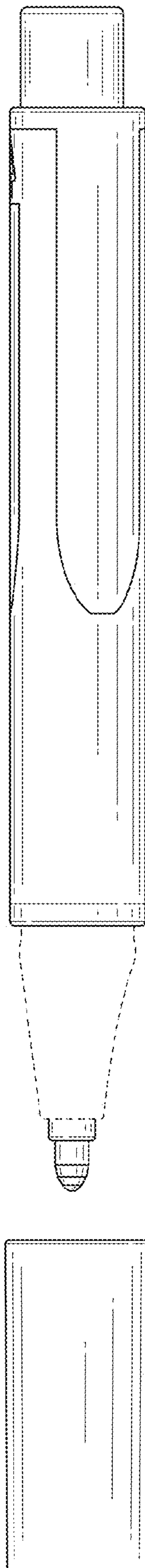




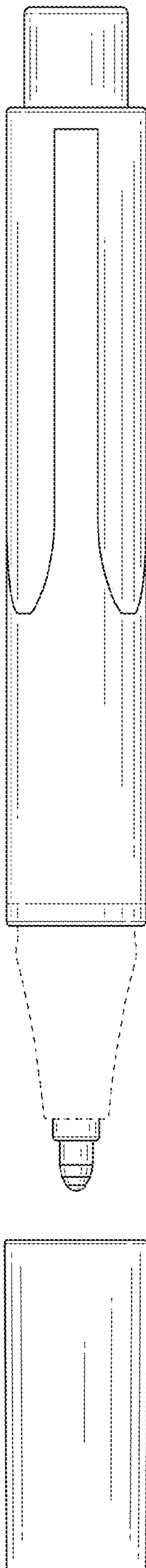
1.2



1.3

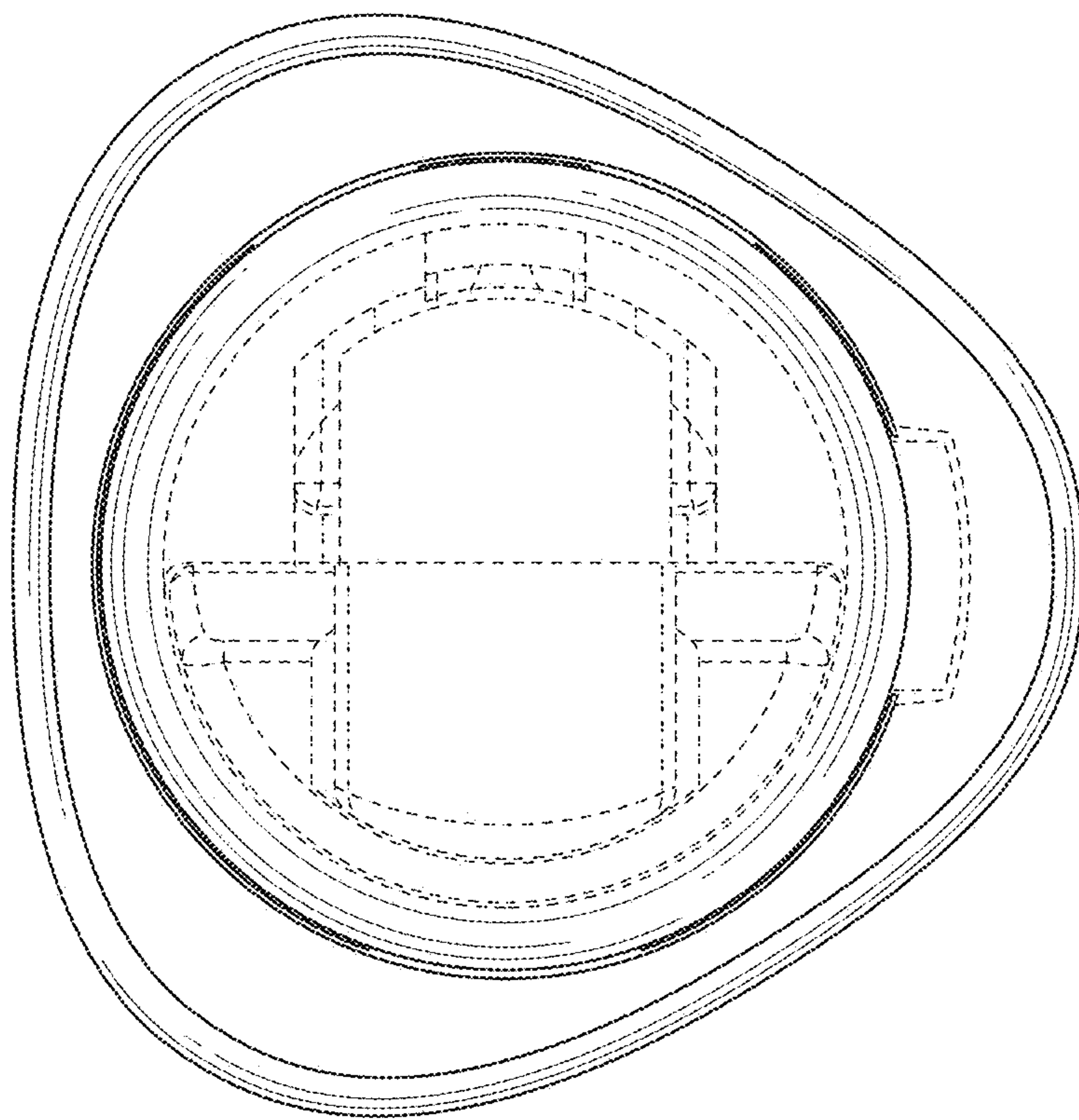


1.4

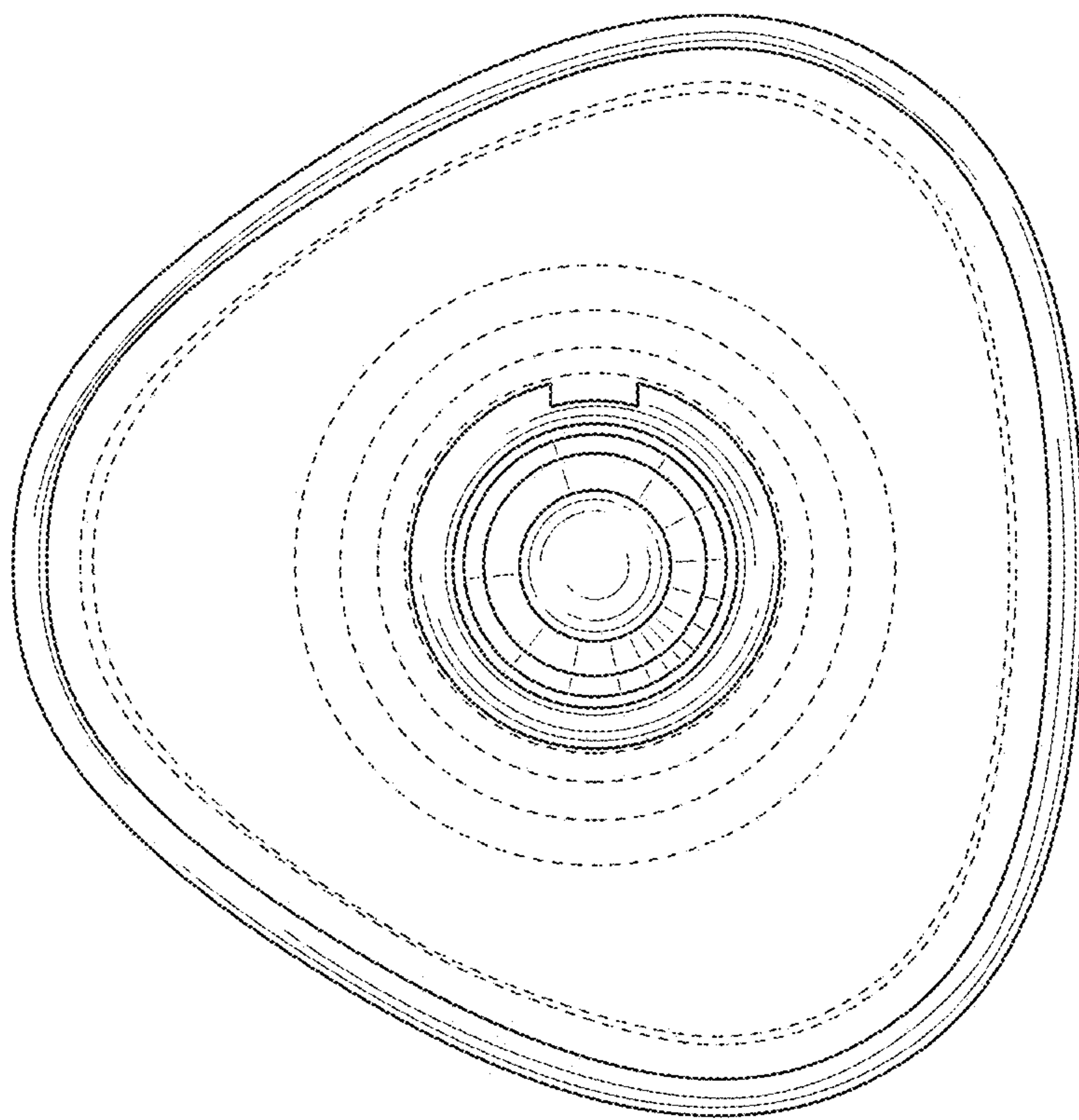


1.5



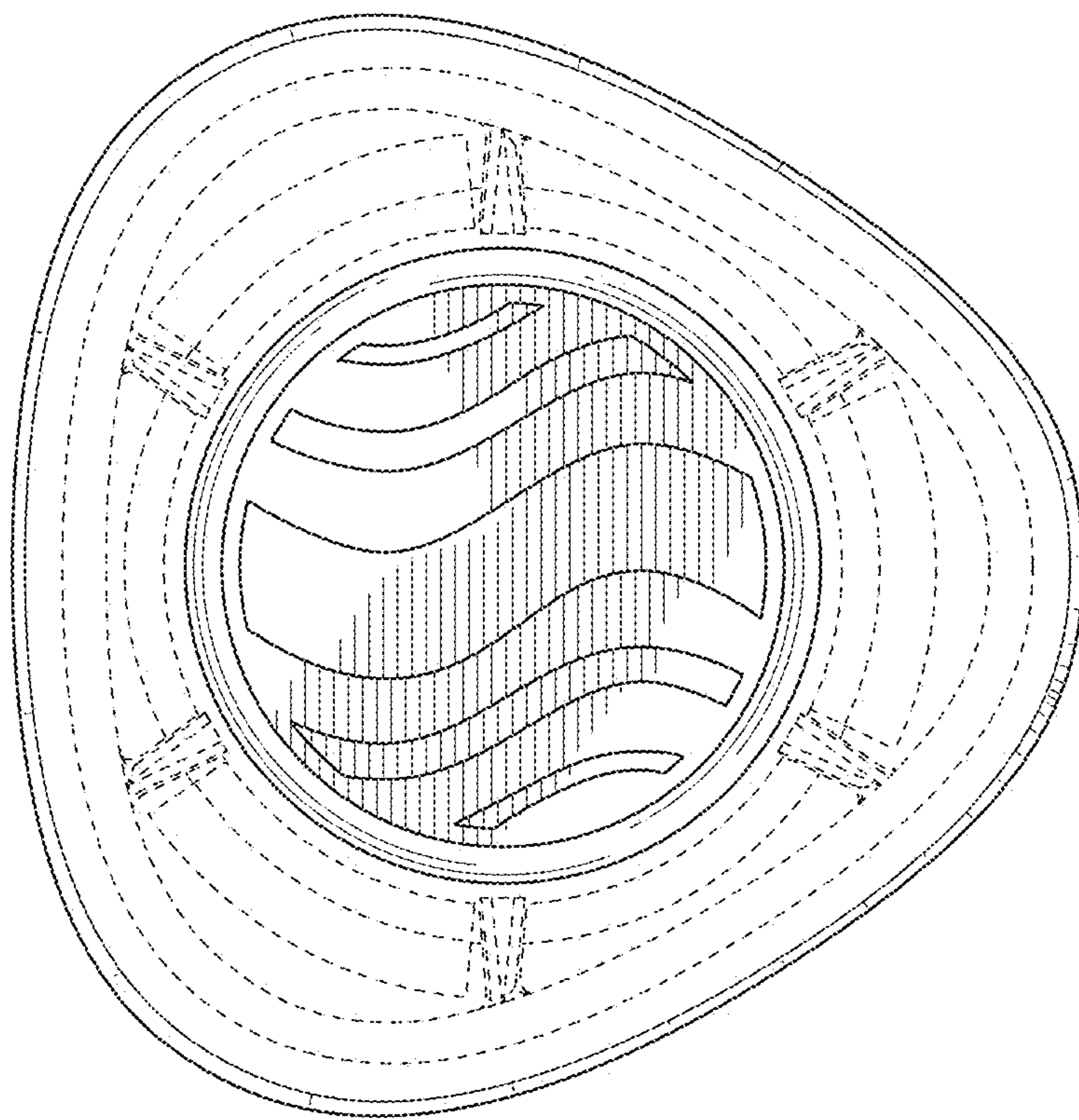


1.6

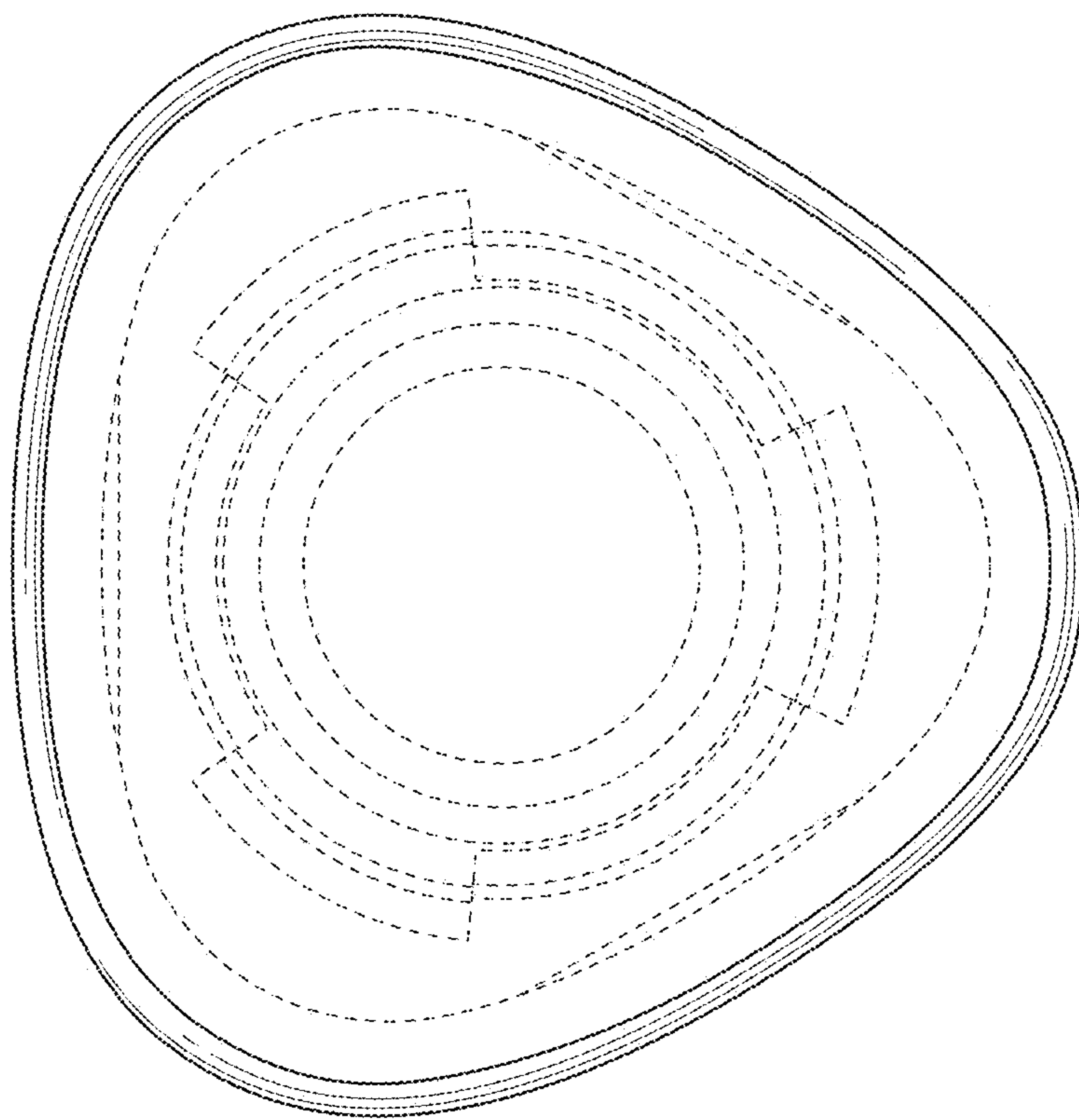


1.7

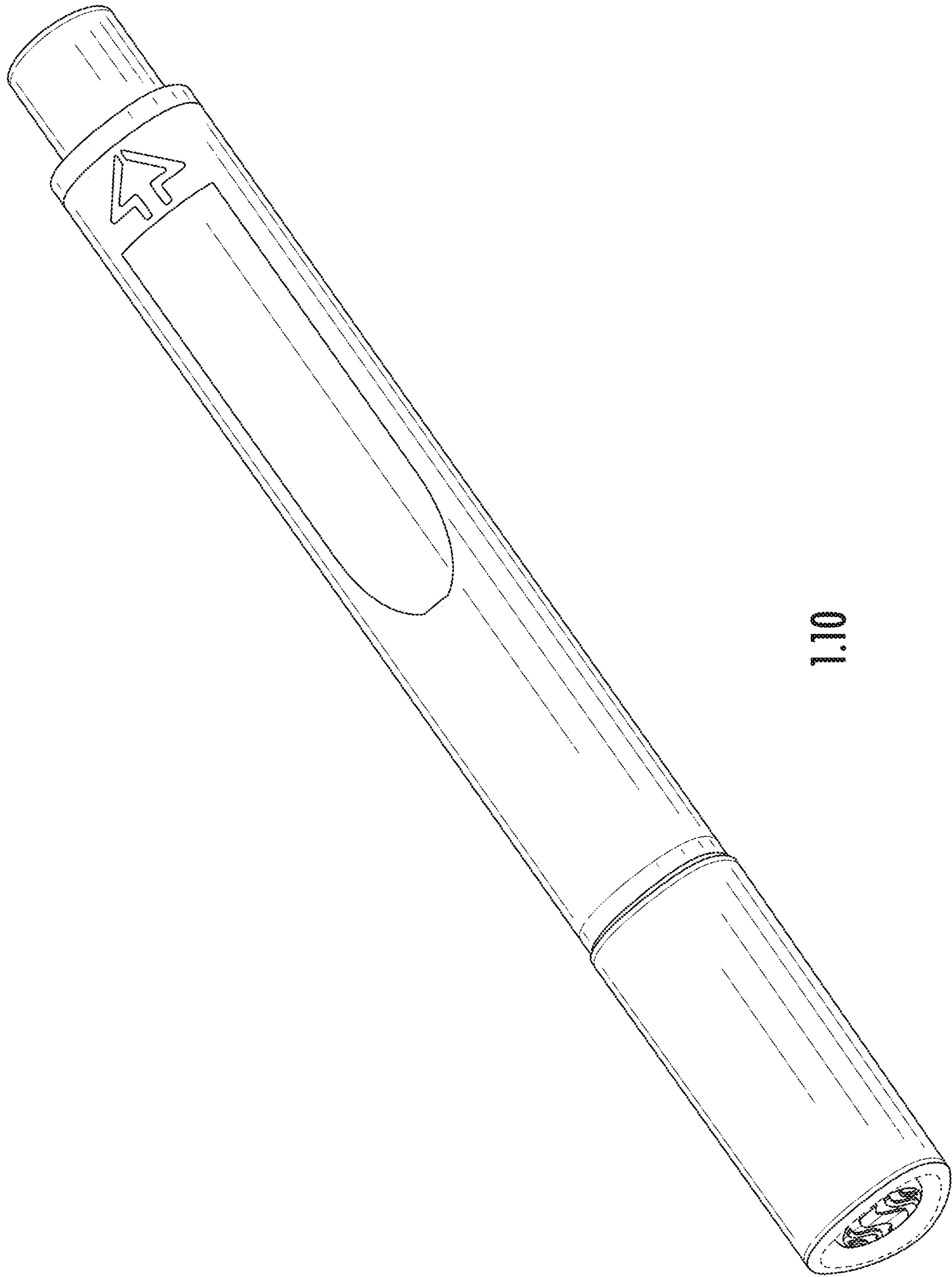




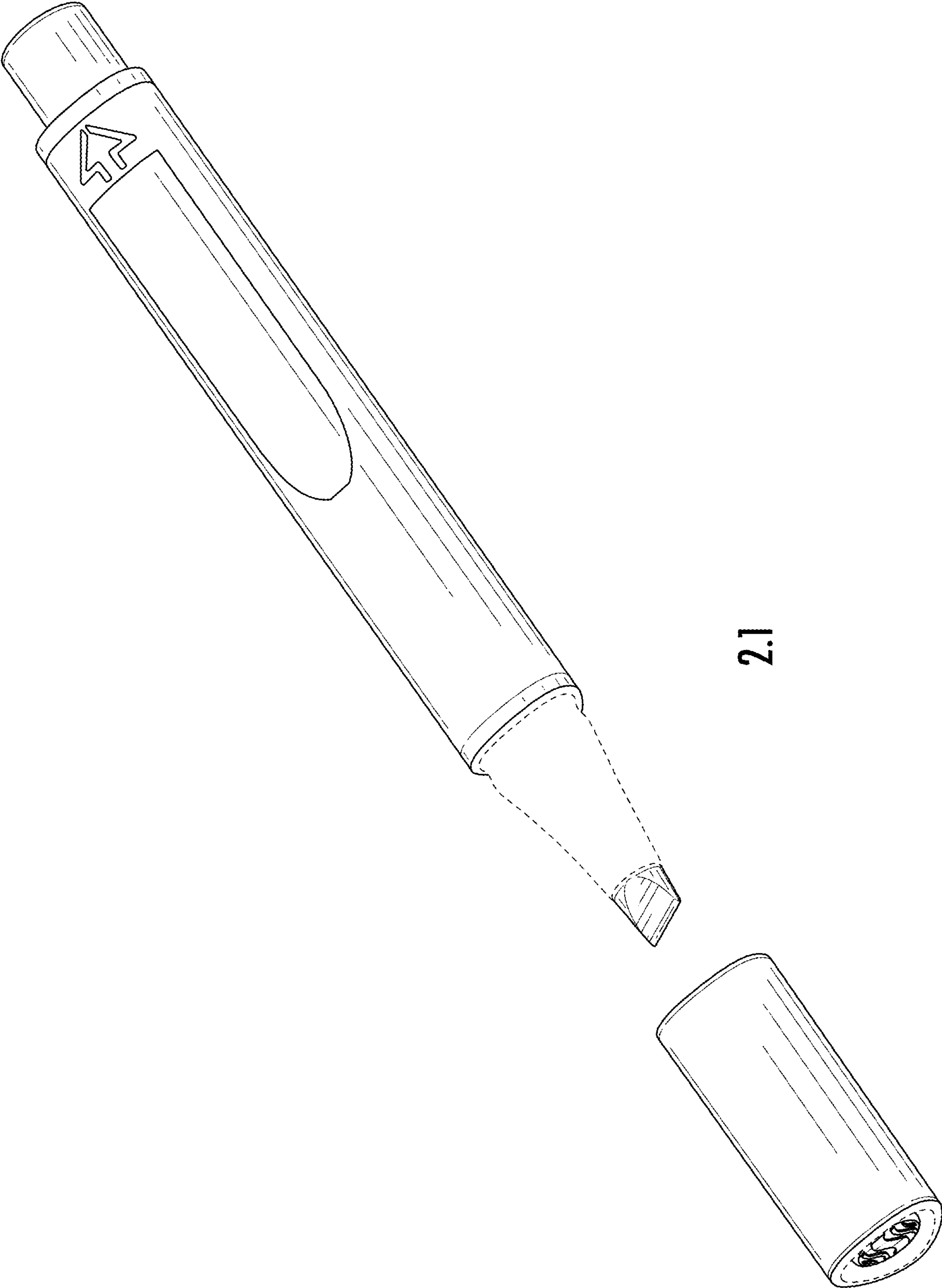
1.8



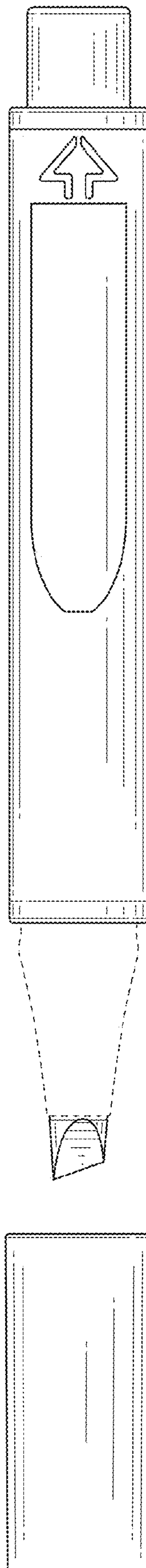
1.9



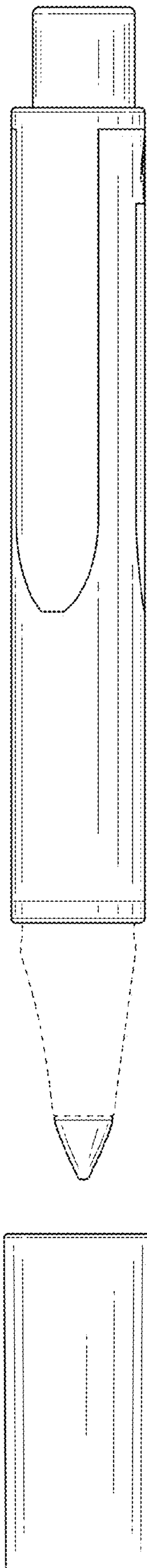
110



2.1

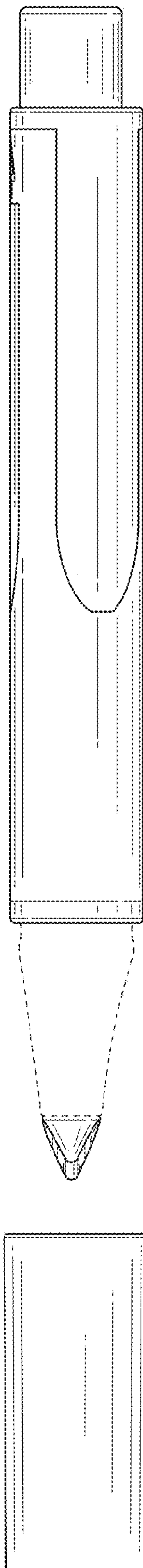


2.2

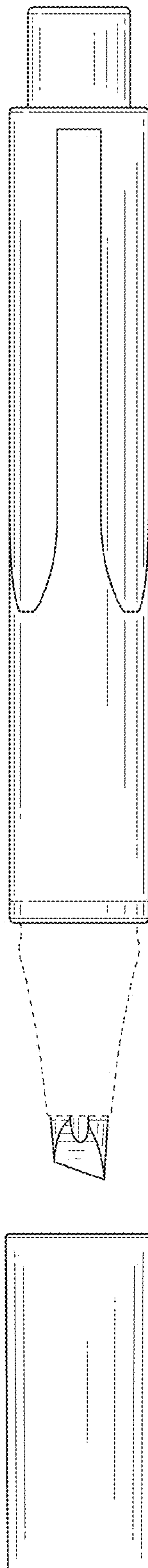


2.3

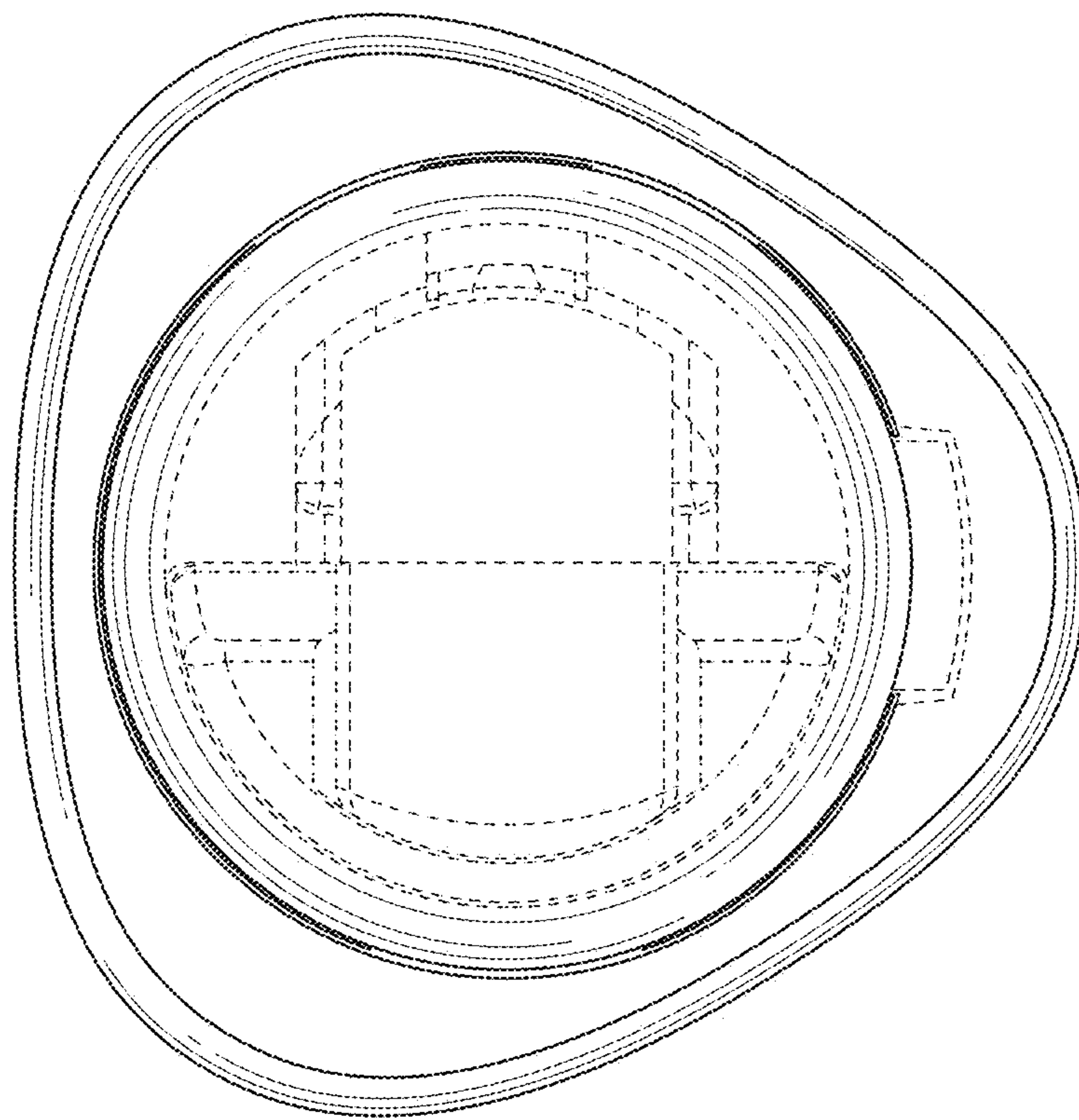




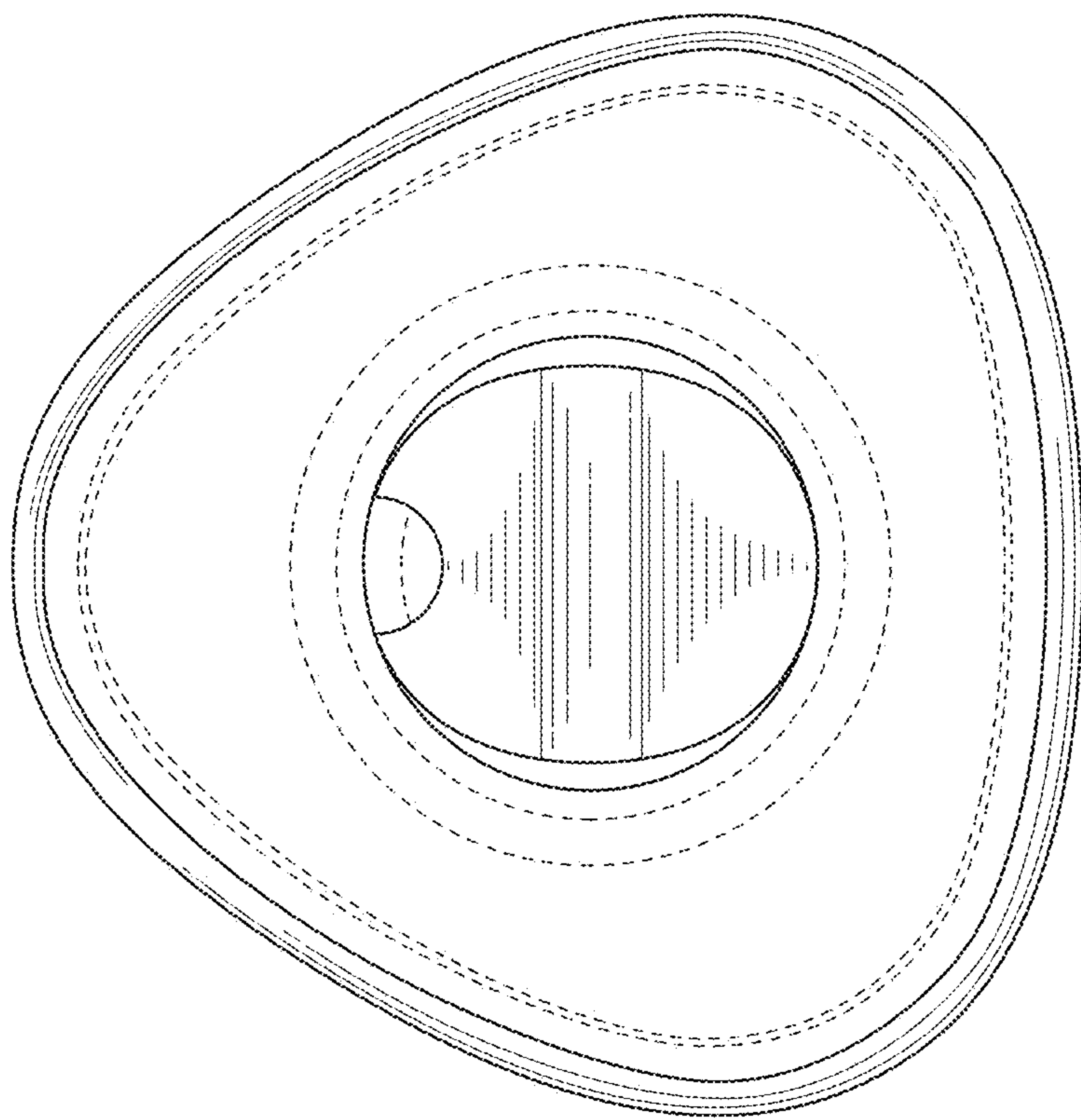
2.4



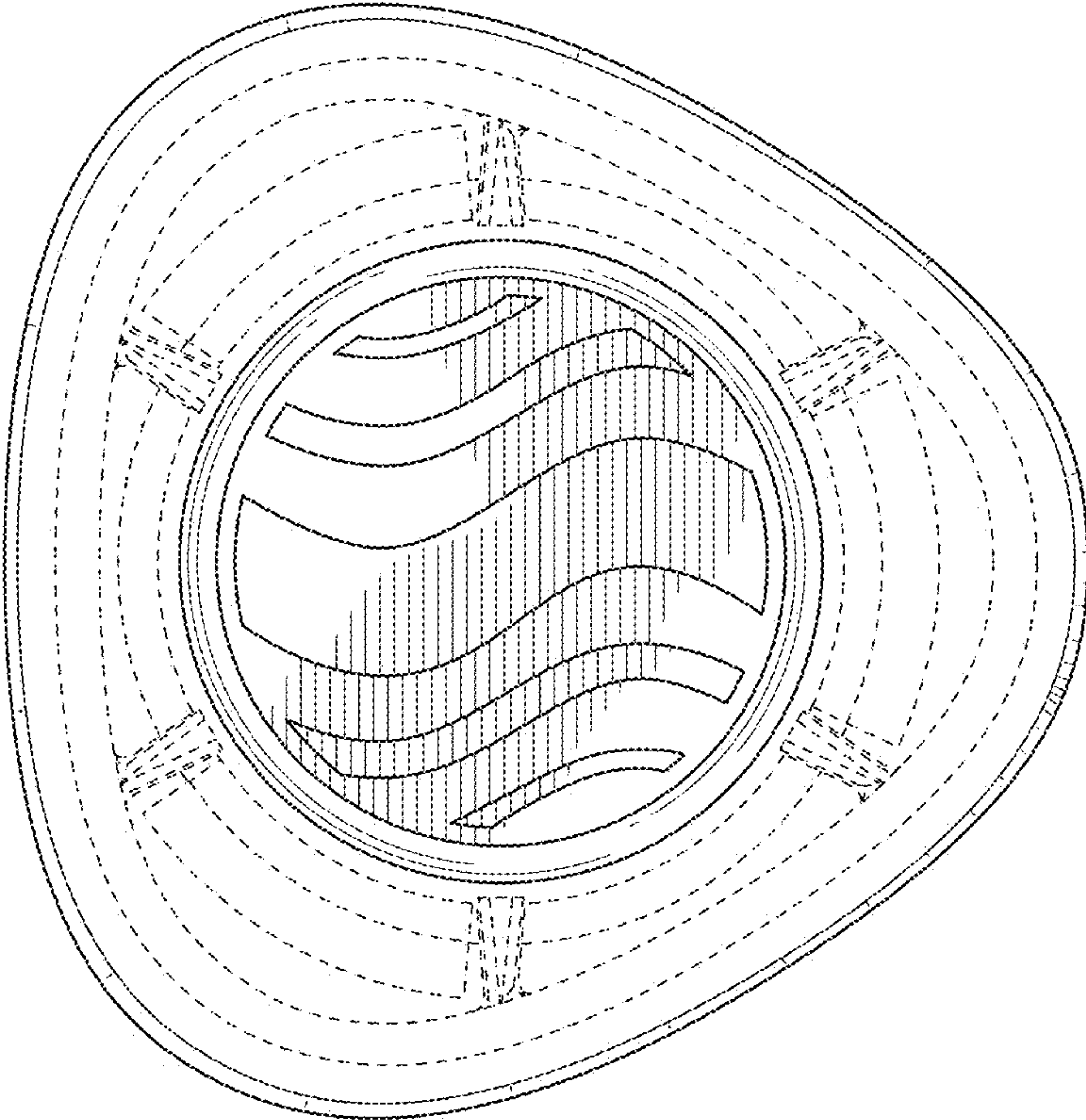
2.5



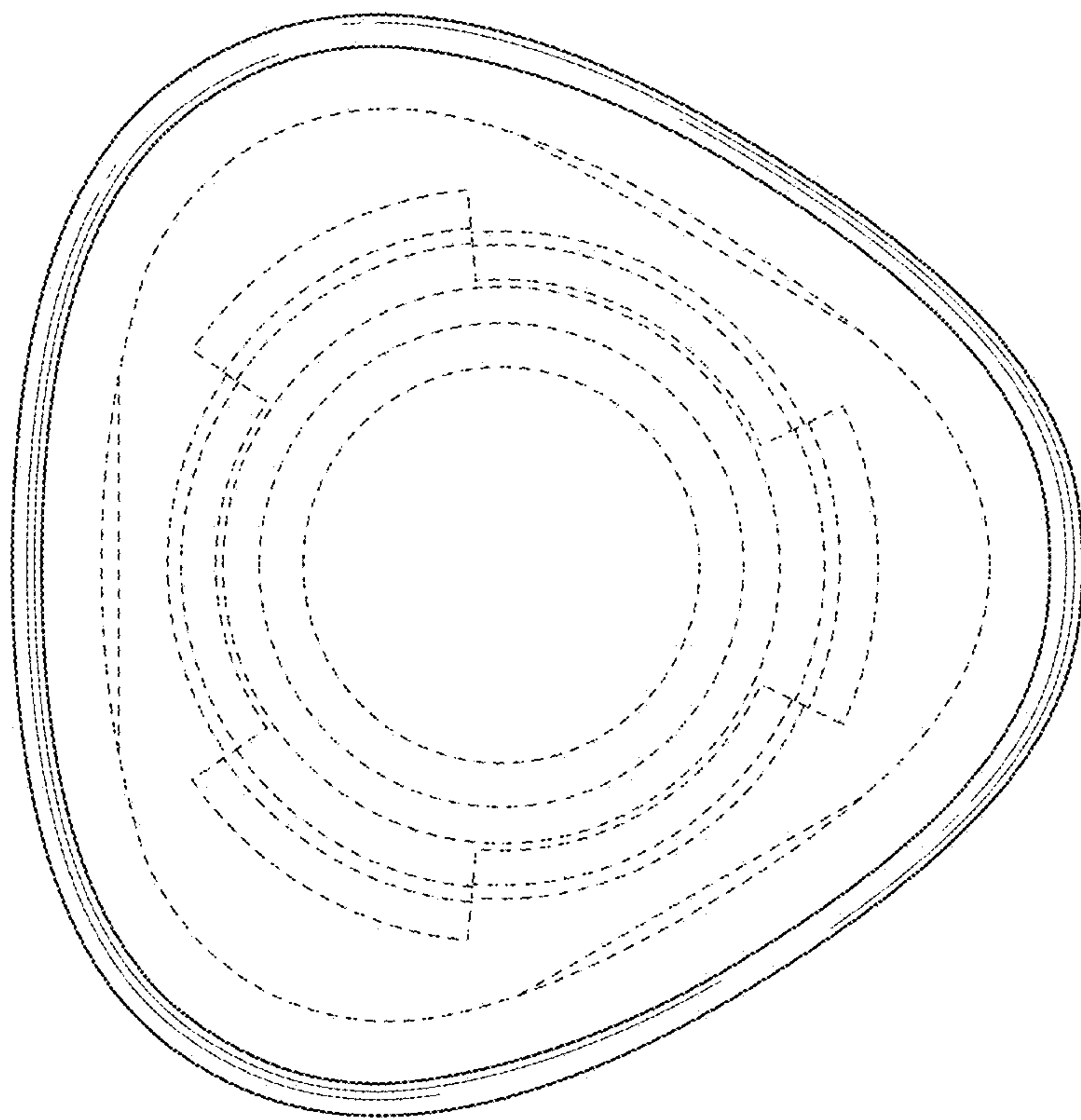
2.6



2.7

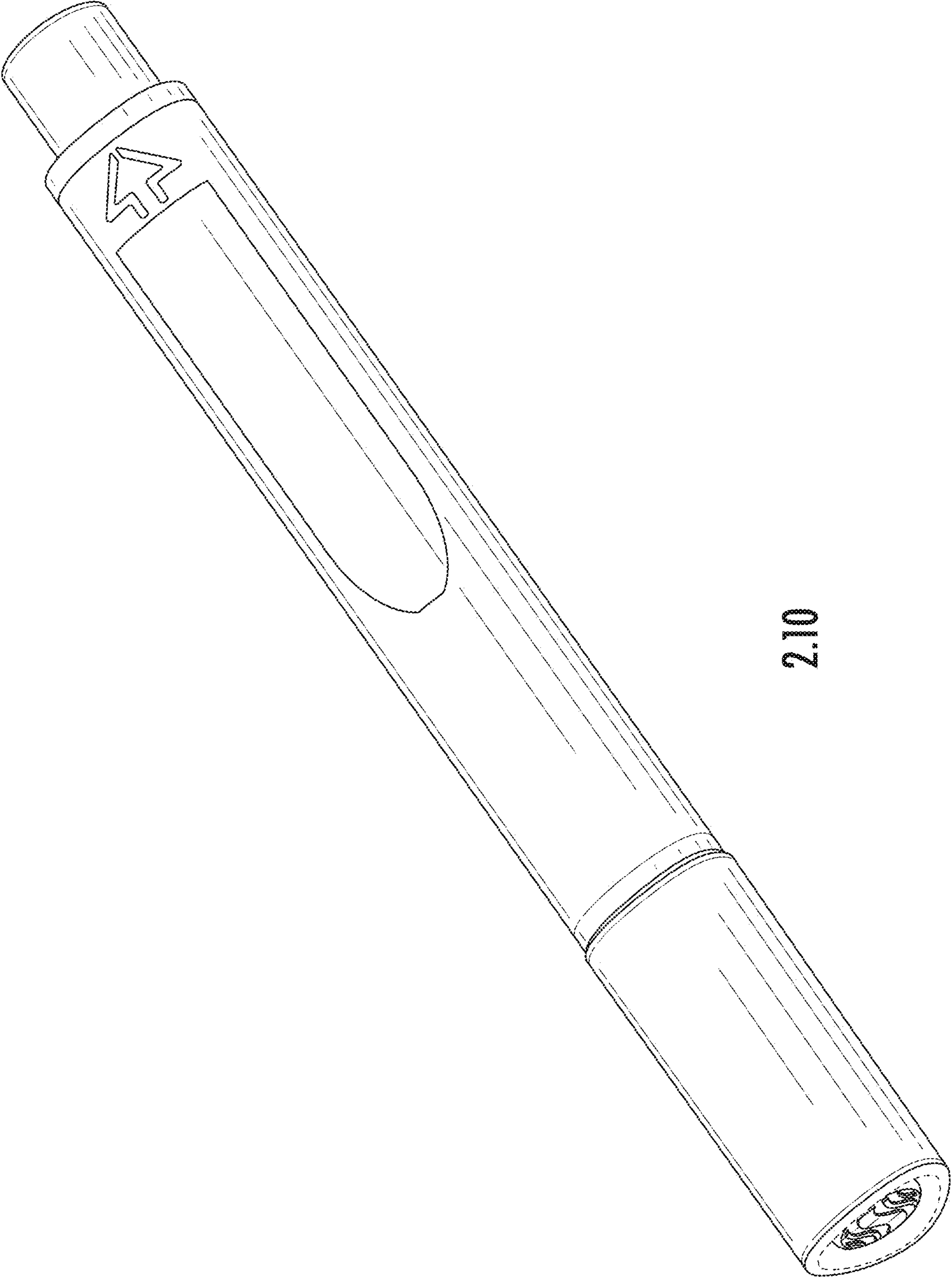


2.8



2.9





2.10