

US00D870202S

(12) **United States Design Patent** (10) **Patent No.:** **US D870,202 S**
Padovano et al. (45) **Date of Patent:** **** Dec. 17, 2019**

(54) **SHREDDER**

FOREIGN PATENT DOCUMENTS

(71) Applicant: **Fellowes, Inc.**, Itasca, IL (US)
(72) Inventors: **Dominick Padovano**, Chicago, IL (US); **Damian Hernandez**, Oak Park, IL (US)

EM 002389866-0001 * 3/2014
EM 002389866-0002 * 3/2014
EM 002389866-0004 * 3/2014

(73) Assignee: **FELLOWES, INC.**, Itasca, IL (US)

OTHER PUBLICATIONS

(**) Term: **15 Years**

Amazon. Link: <https://www.amazon.com/Boxis-AF100-AutoShred-100-Sheet-Shredder/dp/B074RNV6XL>. Jun. 6, 2017. Boxis AF100 AutoShred 100-Sheet Micro Cut Paper Shredder. (Year: 2017).*

(21) Appl. No.: **29/627,568**

* cited by examiner

(22) Filed: **Nov. 28, 2017**

Primary Examiner — Susan Bennett Hattan

(51) **LOC (12) Cl.** **18-04**

Assistant Examiner — Lauren D McVey

(52) **U.S. Cl.**
USPC **D18/34.5**

(74) *Attorney, Agent, or Firm* — Pillsbury Winthrop Shaw Pittman LLP

(58) **Field of Classification Search**
USPC D18/34.1, 34.2, 34.3, 34.4, 34.5, 34.6, D18/34.7, 34.8, 34.9; D14/314, 332, D14/348-349, 351, 352
CPC B02C 18/00; B02C 18/0007; B02C 2018/164; B02C 2018/168; B02C 2018/0015

(57) **CLAIM**

See application file for complete search history.

The ornamental design for a shredder, as shown and described.

DESCRIPTION

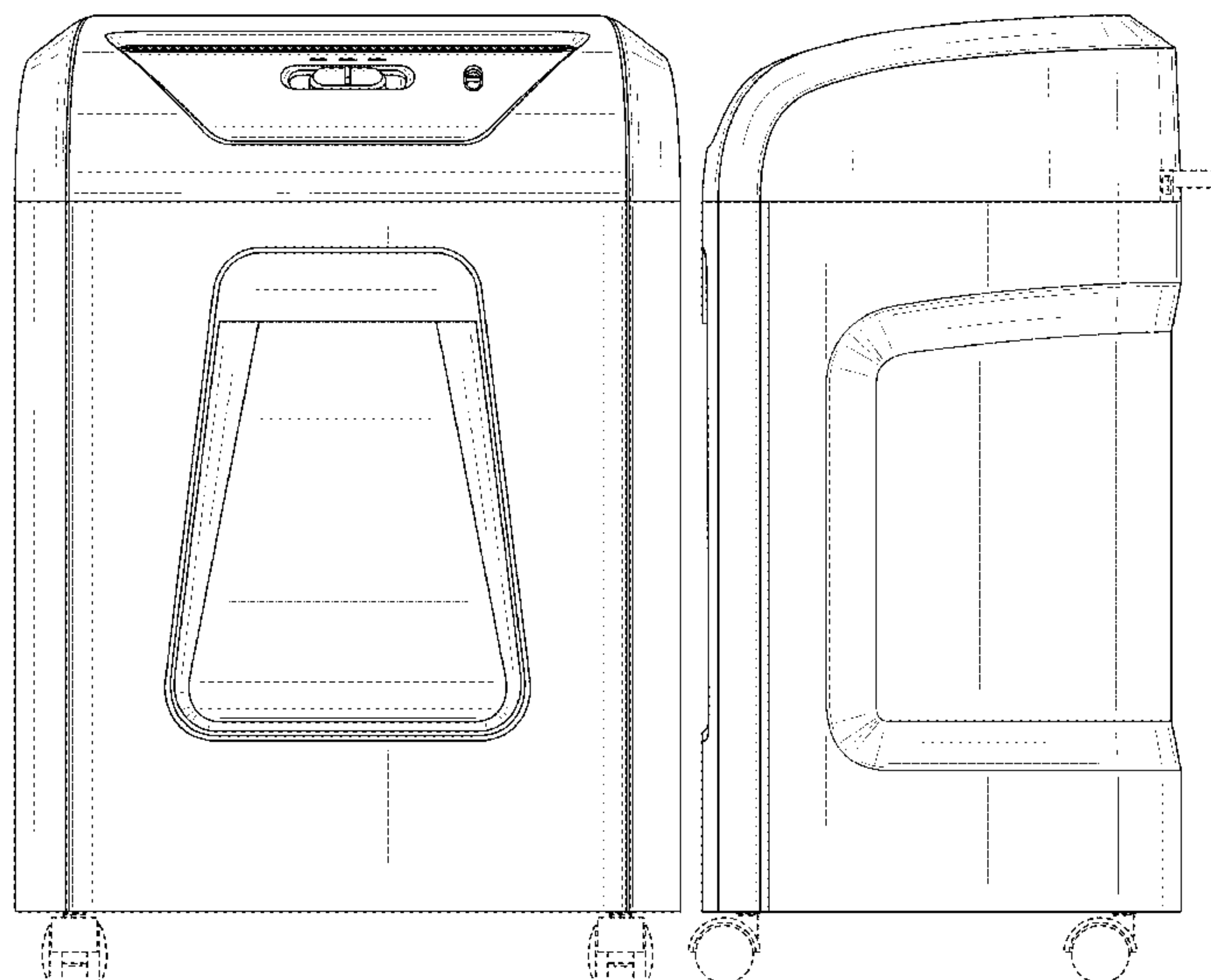
(56) **References Cited**

U.S. PATENT DOCUMENTS

D591,335 S	*	4/2009	Holderfield	D18/34.9
D602,073 S	*	10/2009	Holderfield	D18/34.5
D602,074 S	*	10/2009	Holderfield	D18/34.5
D602,518 S	*	10/2009	Holderfield	D18/34.9
D604,763 S	*	11/2009	Holderfield	D18/34.9
D616,924 S	*	6/2010	Kim	D18/34.5
D677,717 S	*	3/2013	Applegate	D18/34.5
D686,657 S	*	7/2013	Applegate	D18/34.5
D688,740 S	*	8/2013	Applegate	D18/34.5
D724,654 S	*	3/2015	Labat	D18/34.5
D748,192 S	*	1/2016	Weinberg	D18/34.5
D835,713 S	*	12/2018	Xu	D18/34.6
2012/0111979 A1	*	5/2012	Jensen	B02C 18/0007
					241/25

FIG. 1 is a top perspective view of a shredder, showing our new design;
FIG. 2 is a front view of the shredder of FIG. 1;
FIG. 3 is a back view of the shredder of FIG. 1;
FIG. 4 is a right side view of the shredder of FIG. 1;
FIG. 5 is a left side view of the shredder of FIG. 1;
FIG. 6 is a top view of the shredder of FIG. 1; and,
FIG. 7 is a bottom view of the shredder of FIG. 1.
The broken lines immediately adjacent to the shaded areas and define unshaded regions depict the bounds of the claimed design, while all other broken lines are directed to environment. The broken lines form no part of the claimed design.

1 Claim, 7 Drawing Sheets



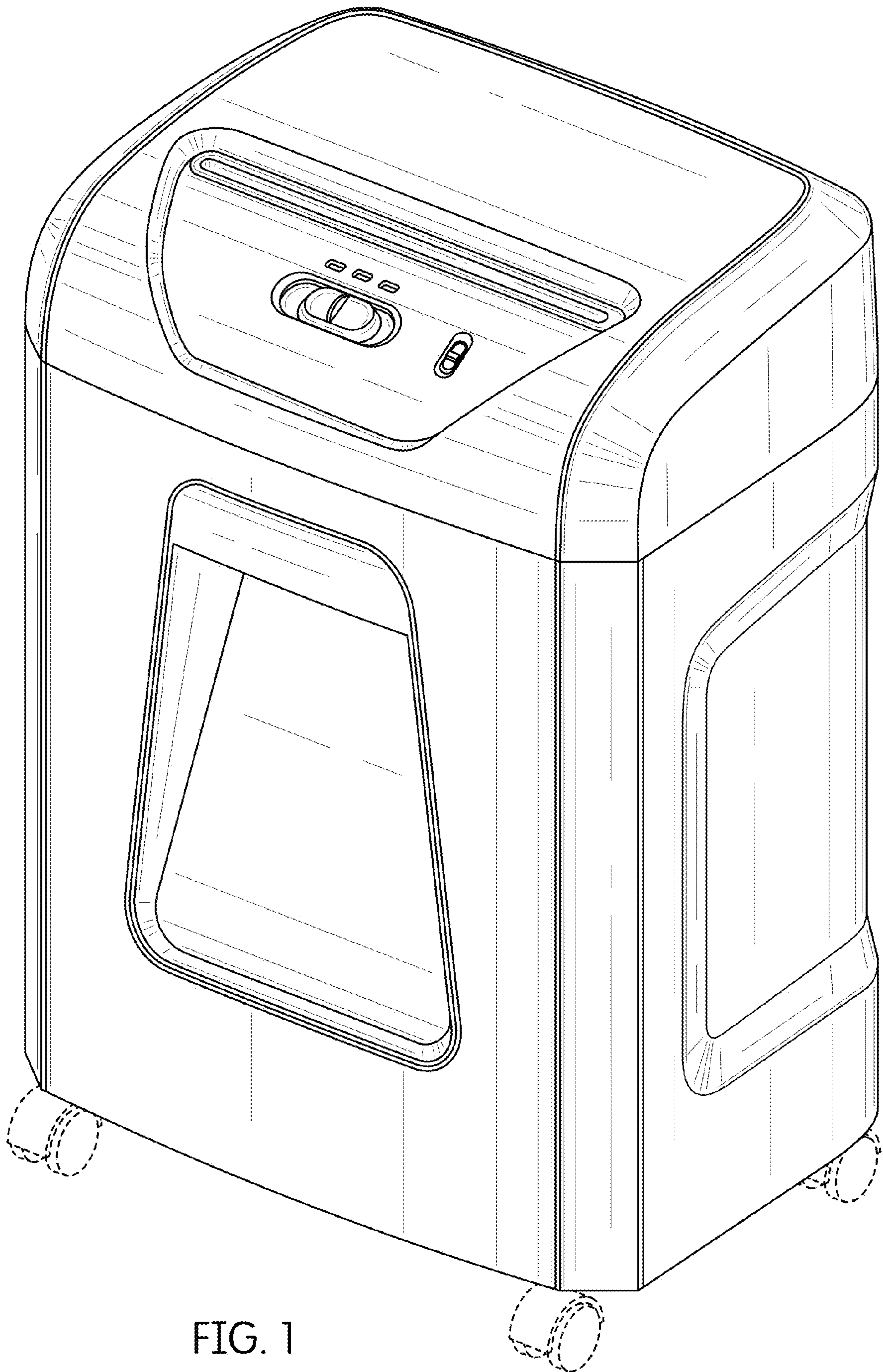


FIG. 1

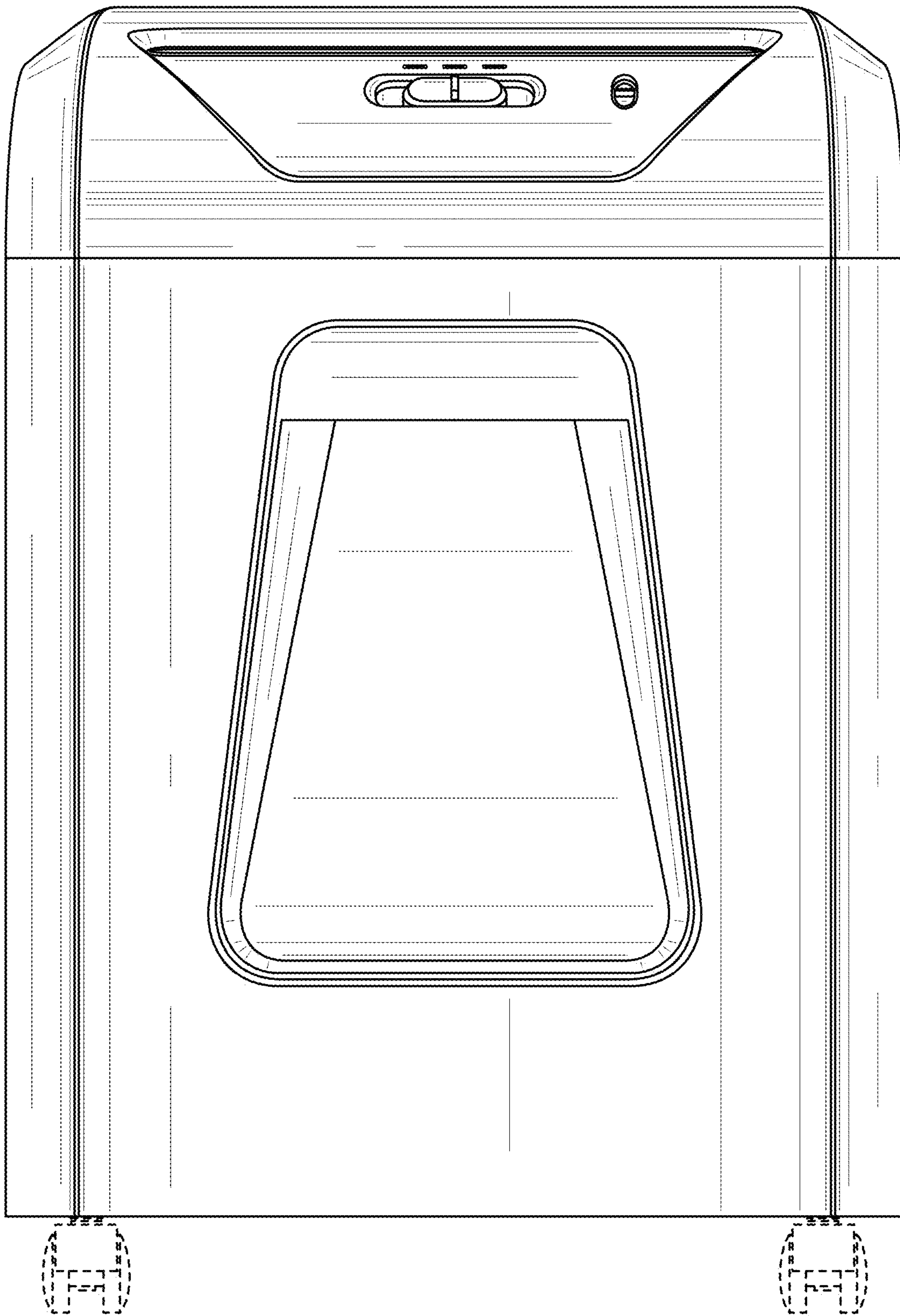


FIG. 2

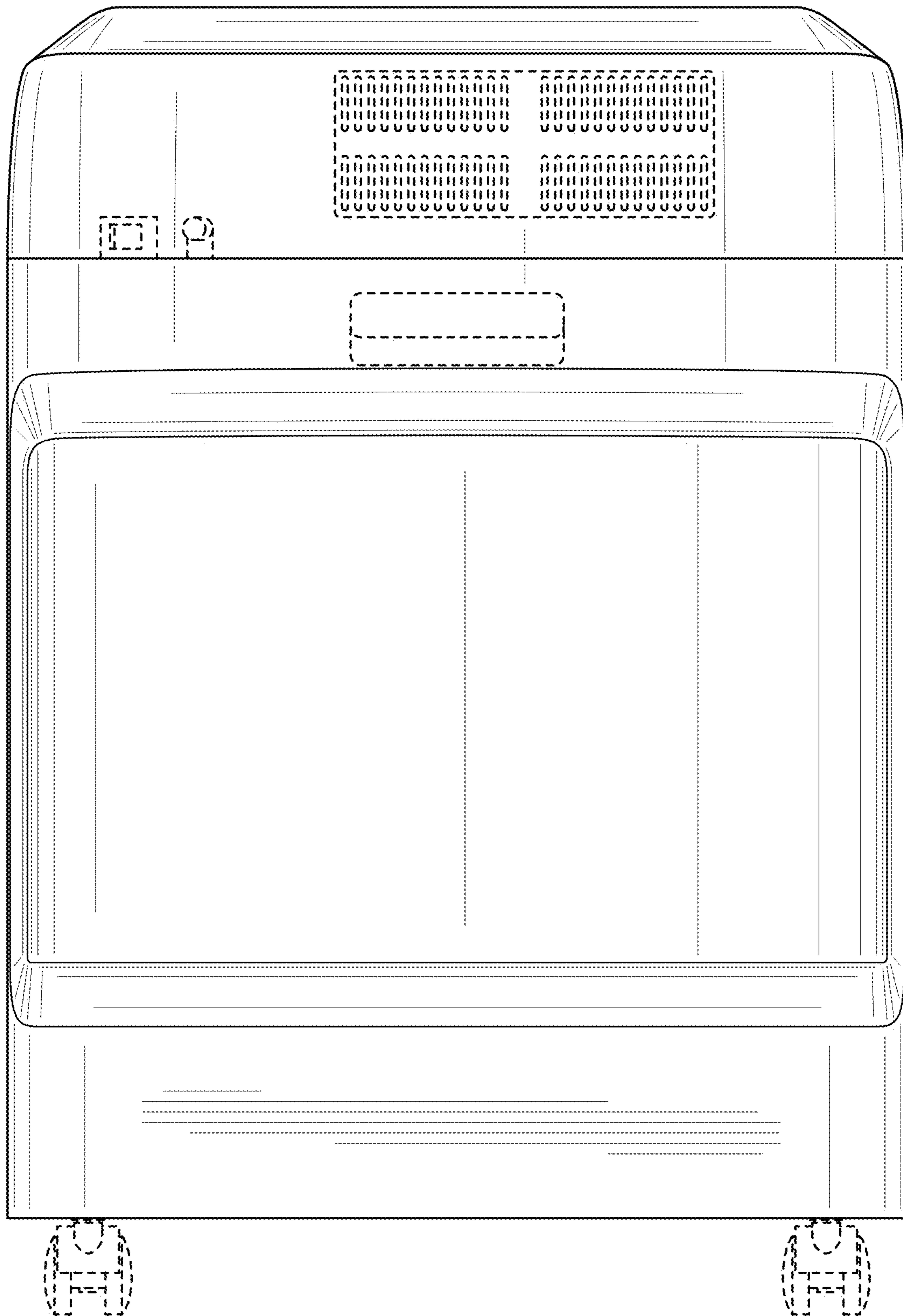


FIG. 3

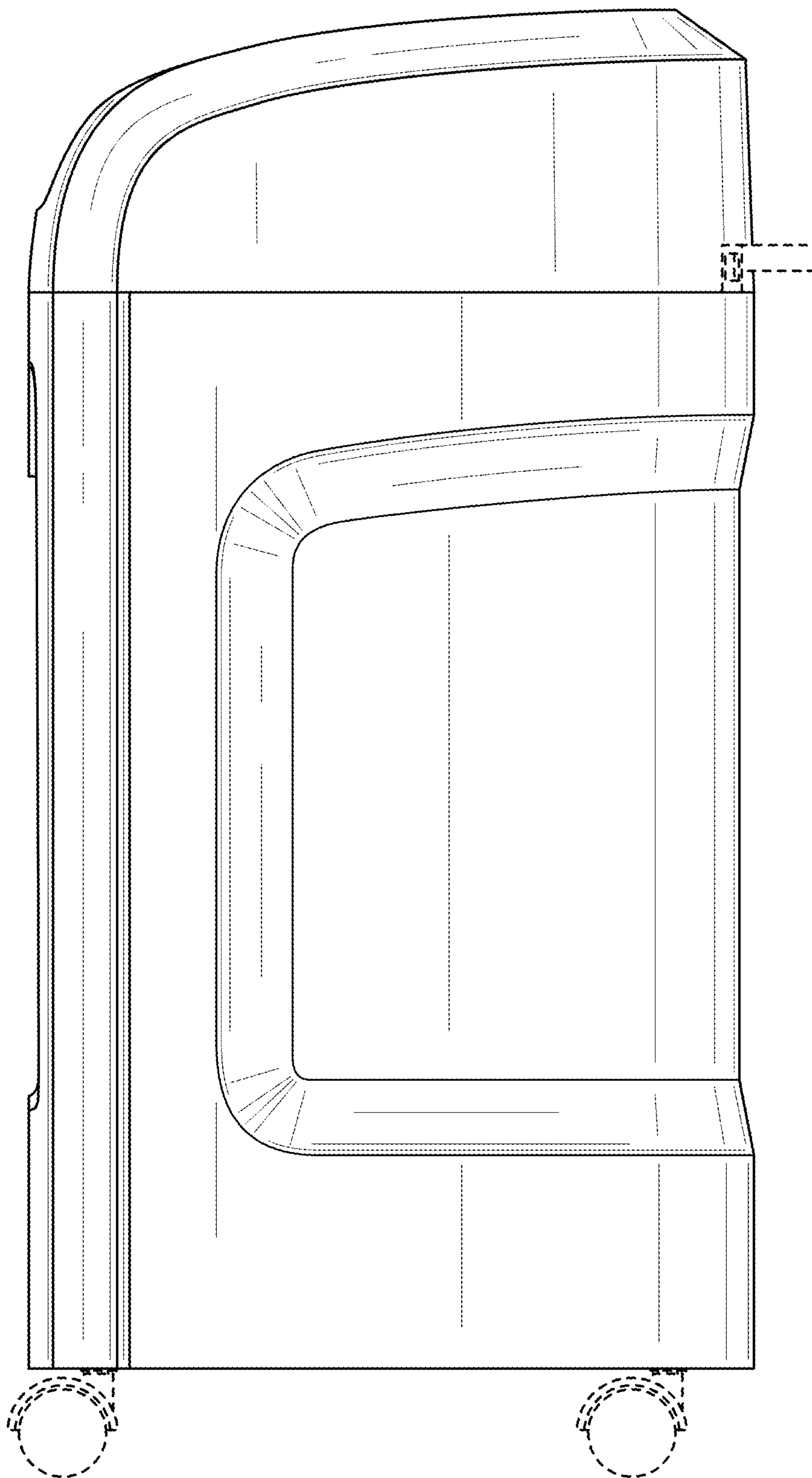


FIG. 4

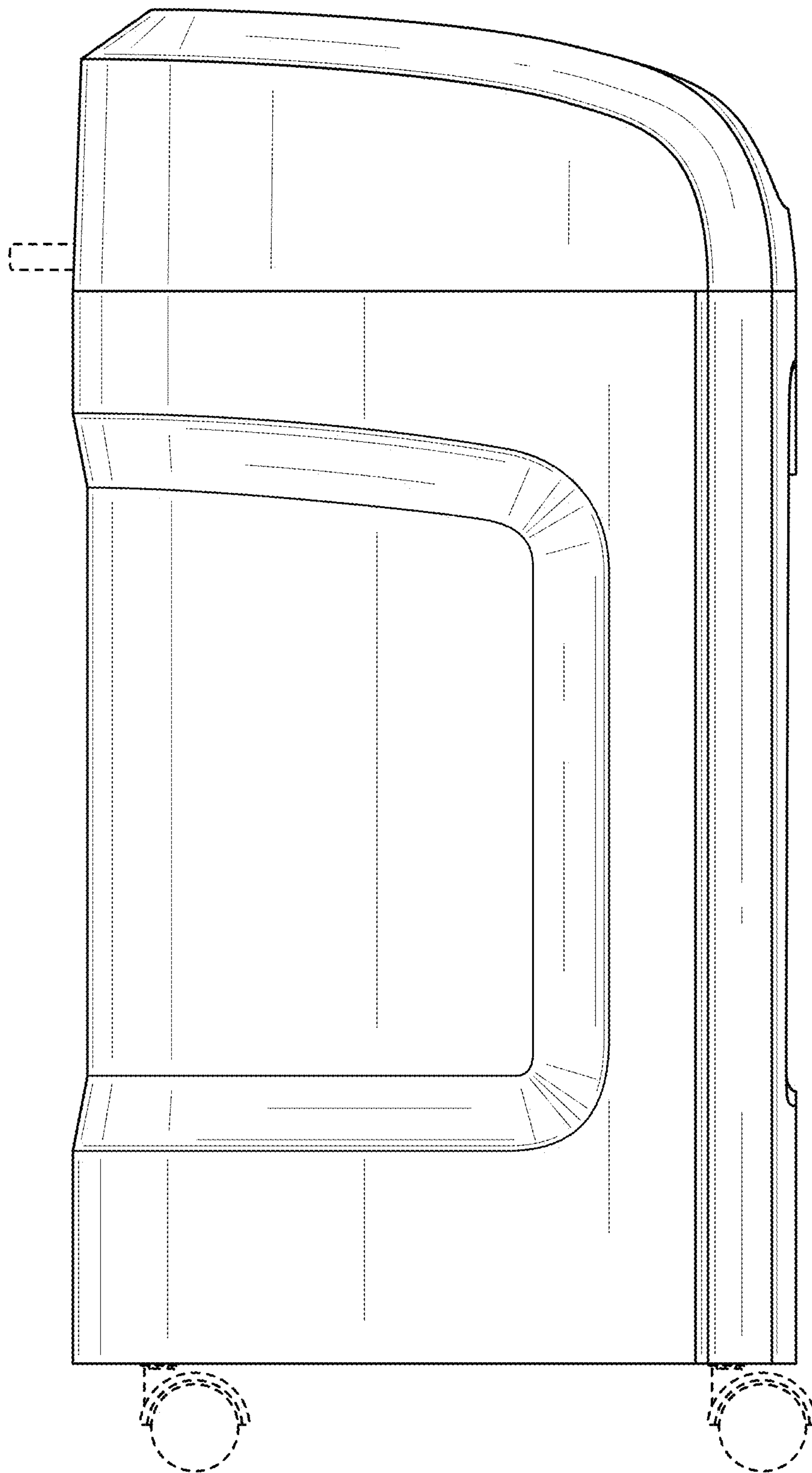


FIG. 5

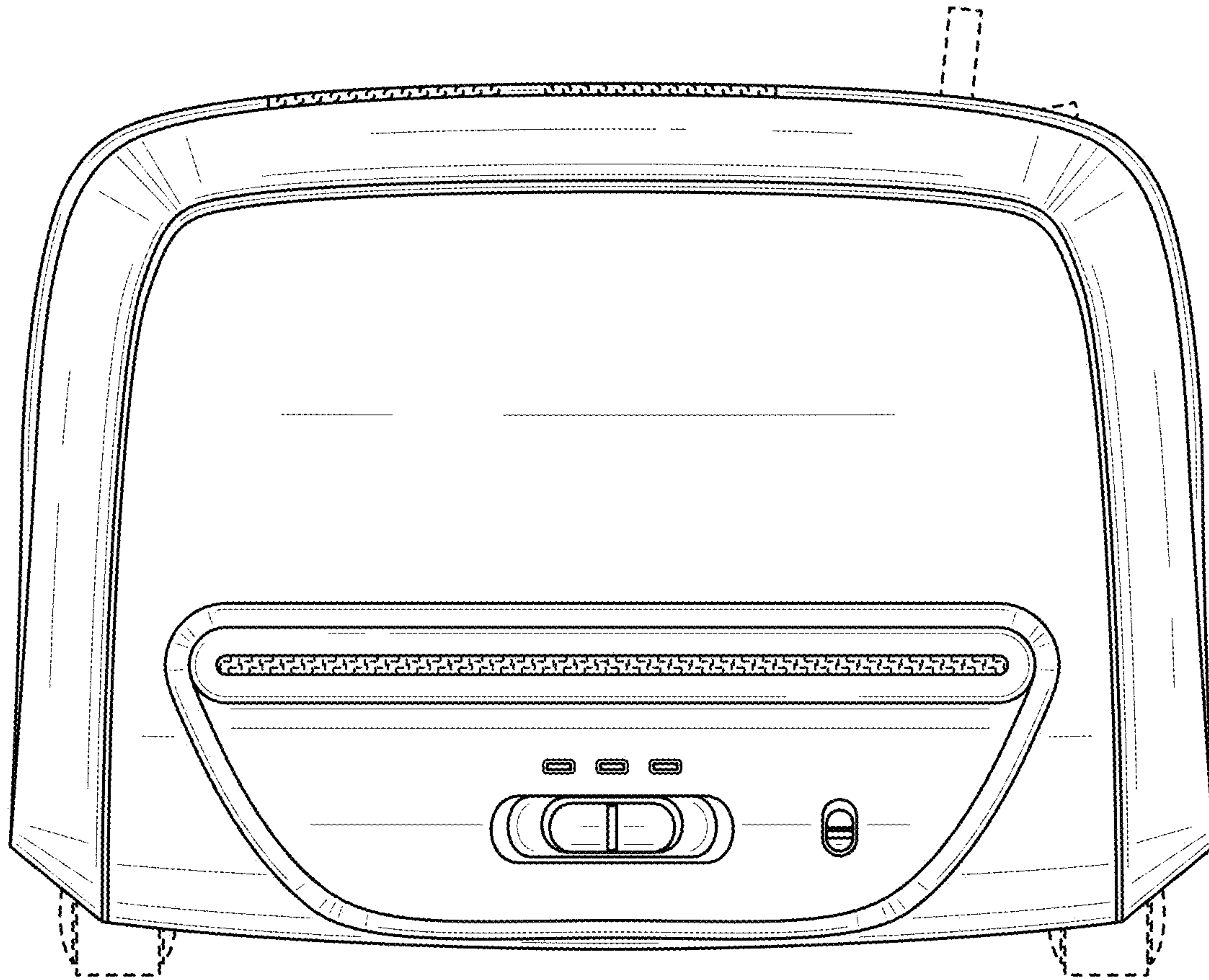


FIG. 6

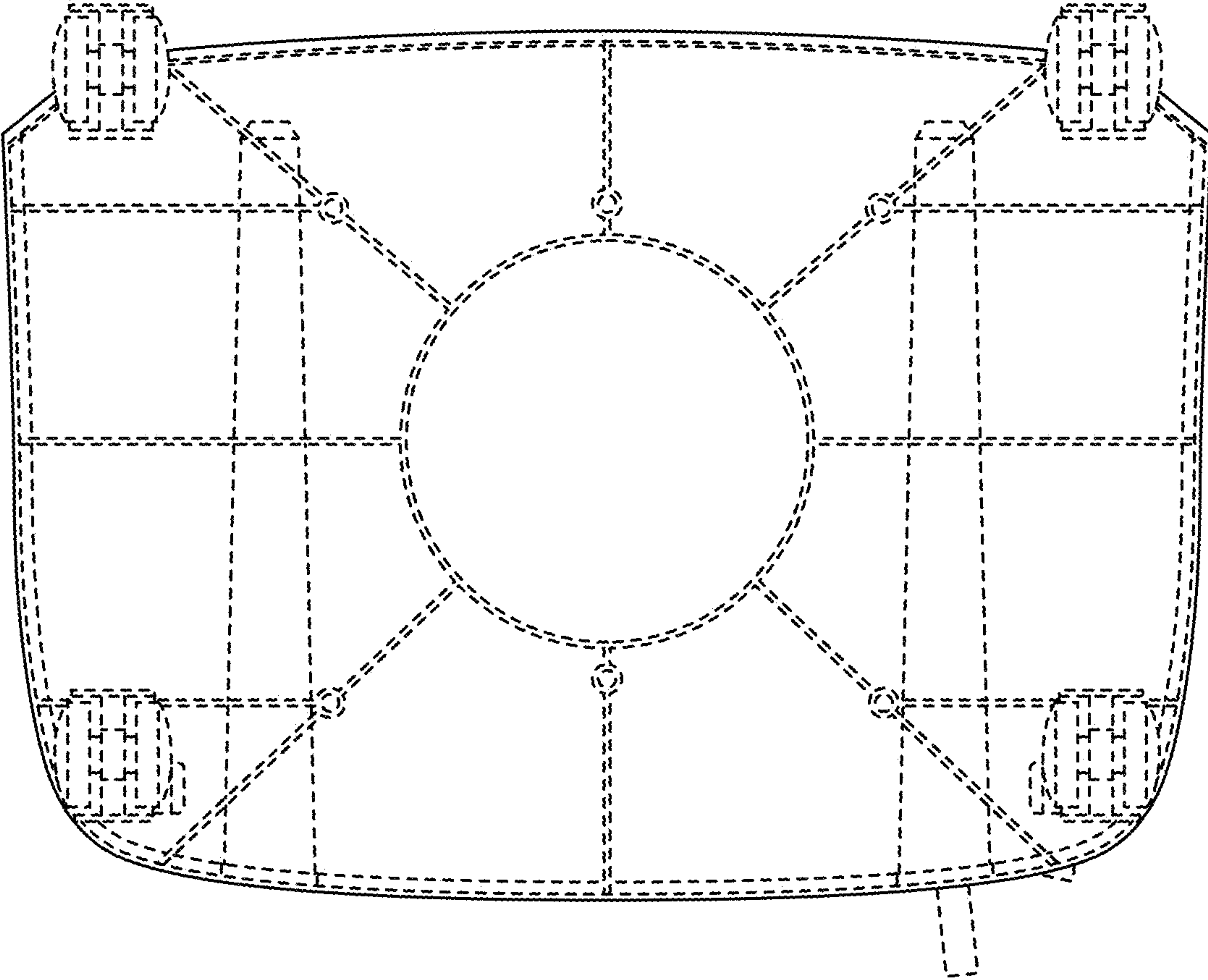


FIG. 7