



US00D870201S

(12) **United States Design Patent** (10) **Patent No.:** **US D870,201 S**
Shih (45) **Date of Patent:** **** Dec. 17, 2019**

(54) **STAMP** 7,066,089 B1 * 6/2006 Shih B41K 1/40
101/327
(71) Applicant: **SUN SAME ENTERPRISES CO., LTD.**, Tainan (TW) D538,840 S * 3/2007 Shih D18/15
D545,353 S * 6/2007 Trembl D18/15
D568,381 S * 5/2008 Shih D18/15
(72) Inventor: **Wen-Jer Shih**, Tainan (TW) D583,857 S * 12/2008 Shih D18/15
D584,340 S * 1/2009 Lee D18/15
D585,087 S * 1/2009 Shih D18/15
(73) Assignee: **SUN SAME ENTERPRISES CO., LTD.**, Tainan (TW) D747,405 S * 1/2016 Shih D18/15
2019/0270326 A1 * 9/2019 Shih B41K 1/54

(**) Term: **15 Years**

(21) Appl. No.: **29/655,403**

(22) Filed: **Jul. 3, 2018**

(30) **Foreign Application Priority Data**

Apr. 27, 2018 (TW) 107302366

(51) **LOC (12) Cl.** **19-02**

(52) **U.S. Cl.**
USPC **D18/15**

(58) **Field of Classification Search**
USPC D18/15, 16, 17, 18, 19, 50; D19/65-68,
D19/70, 71; D7/672, 675
CPC . B41J 2/1752; B41J 3/36; B41J 29/023; B41J
2/17526; B41J 3/28; B41K 1/00; B41K
1/38; B41K 1/006; B41K 1/02; B41K
1/08; B41K 1/40; B41K 1/42; B41K
1/52; B41K 1/54; B41K 1/56; B41K
1/36; B23K 26/00; B23K 26/10; B41C
3/04; B41D 7/00

See application file for complete search history.

(56) **References Cited**

U.S. PATENT DOCUMENTS

D493,191 S * 7/2004 Sculler D18/15
D493,192 S * 7/2004 Sculler D18/15
6,945,172 B1 * 9/2005 Shih B41K 1/42
101/103
D518,087 S * 3/2006 Shih D18/15

FOREIGN PATENT DOCUMENTS

EM 005286804-0001 * 5/2018
EP 2505372 A1 * 10/2012 B41K 1/40
KR 300416625.0000 * 6/2006
MY 07-1676-0101-0001 * 12/2008

* cited by examiner

Primary Examiner — Susan Bennett Hattan

Assistant Examiner — Lauren D McVey

(74) *Attorney, Agent, or Firm* — WPAT, PC

(57) **CLAIM**

The ornamental design for a stamp, as shown and described.

DESCRIPTION

FIG. 1 is a perspective view of a stamp, showing my new design;

FIG. 2 is a front elevation view thereof;

FIG. 3 is a rear elevation view thereof;

FIG. 4 is a left side elevation view thereof;

FIG. 5 is a right side elevation view thereof;

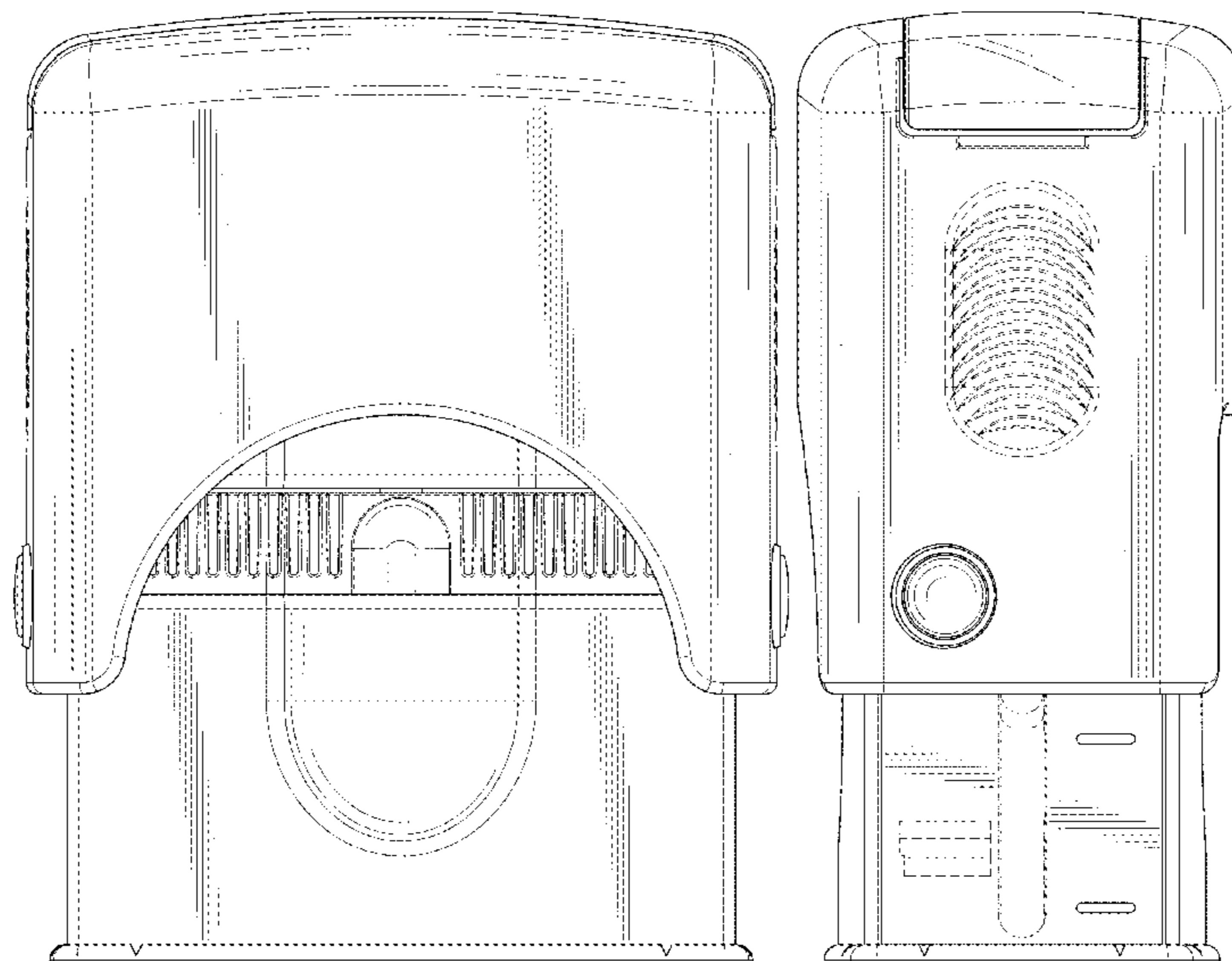
FIG. 6 is a top plan view thereof; and,

FIG. 7 is a bottom plan view thereof.

The broken lines immediately adjacent to the shaded areas depict the bounds of the claimed design, while all other broken lines are directed to portions of the article that form no part of the claimed design.

The wire frame lines shown throughout the views are intended to indicate surface contour.

1 Claim, 6 Drawing Sheets



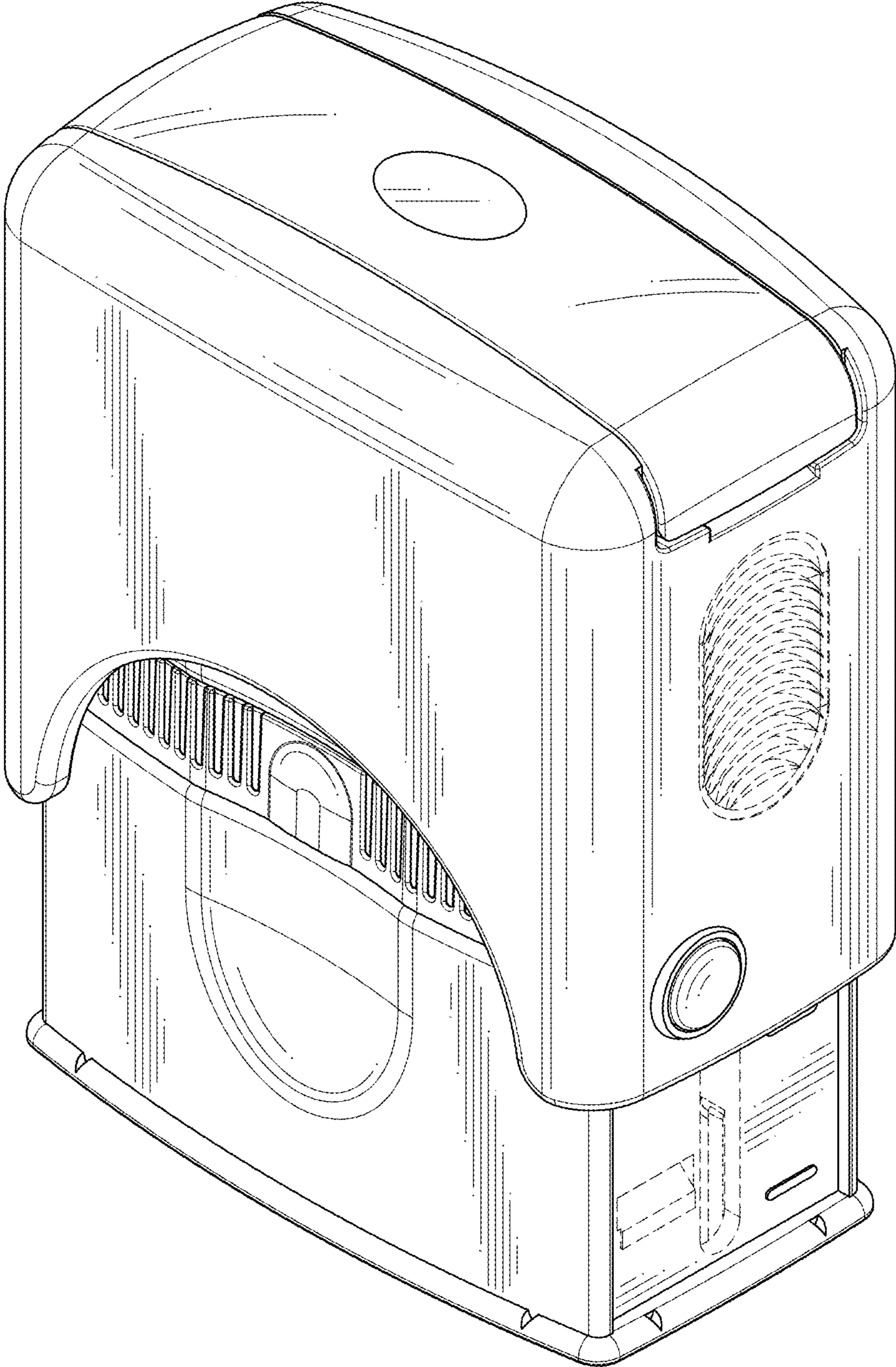


FIG. 1

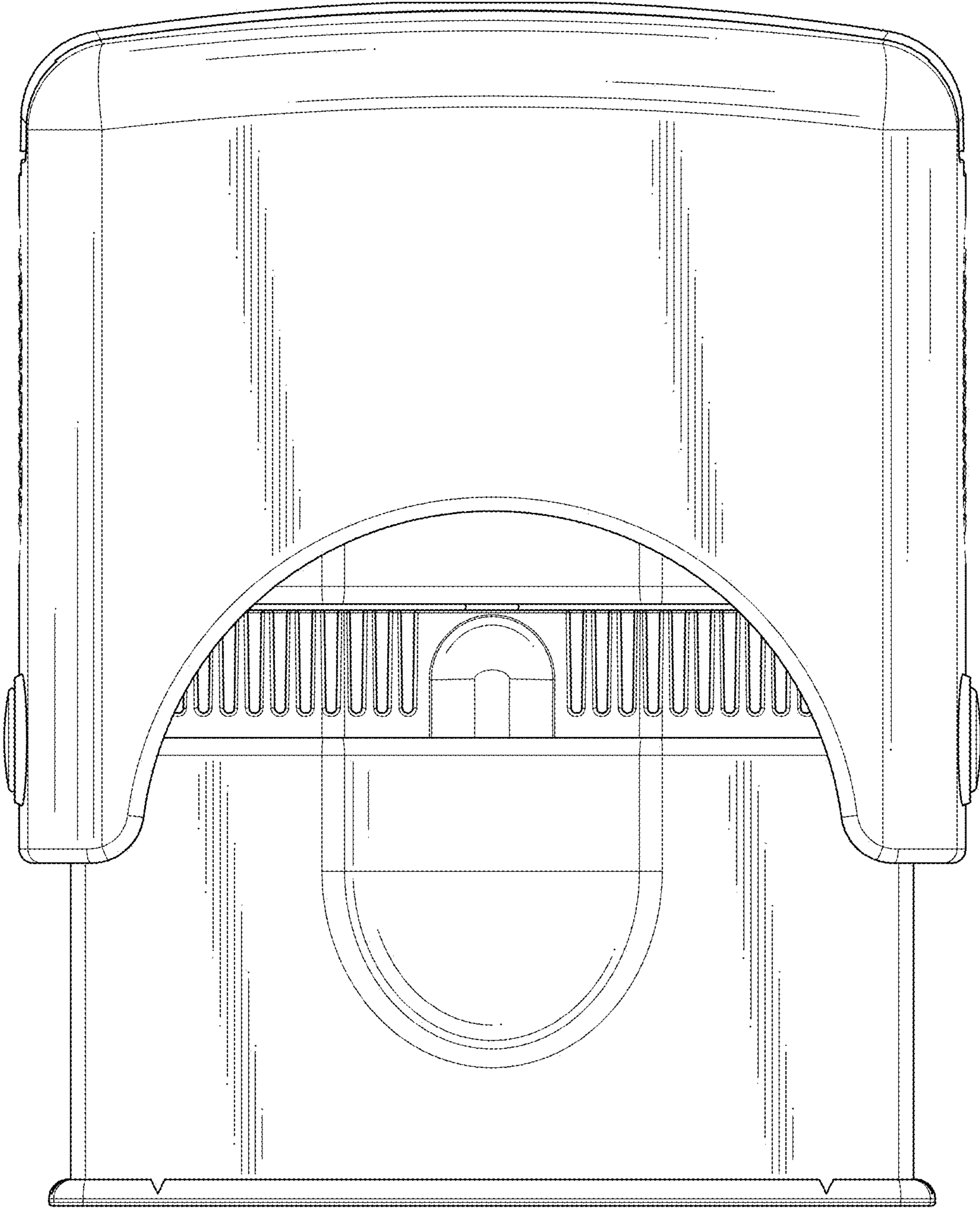


FIG. 2

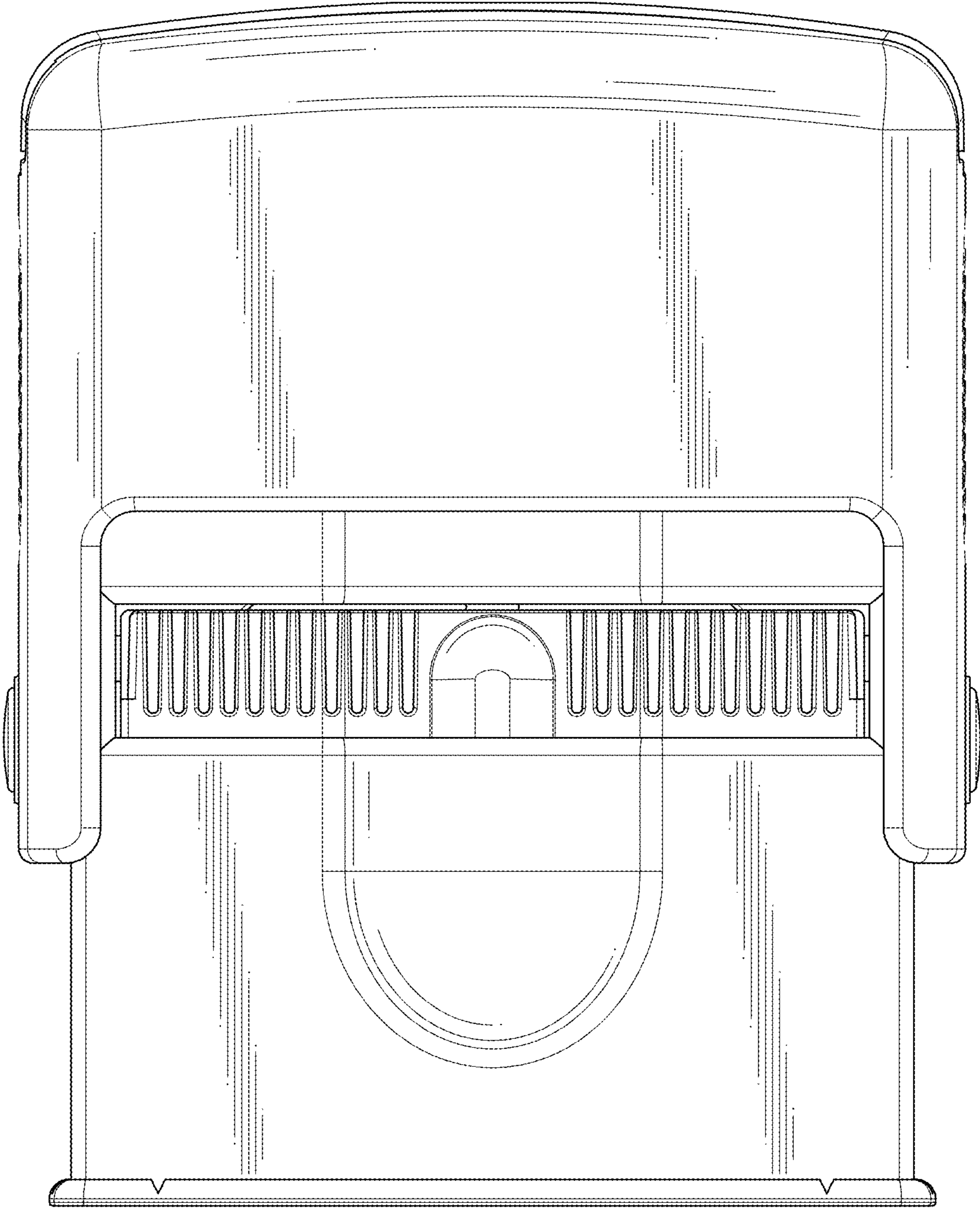


FIG. 3

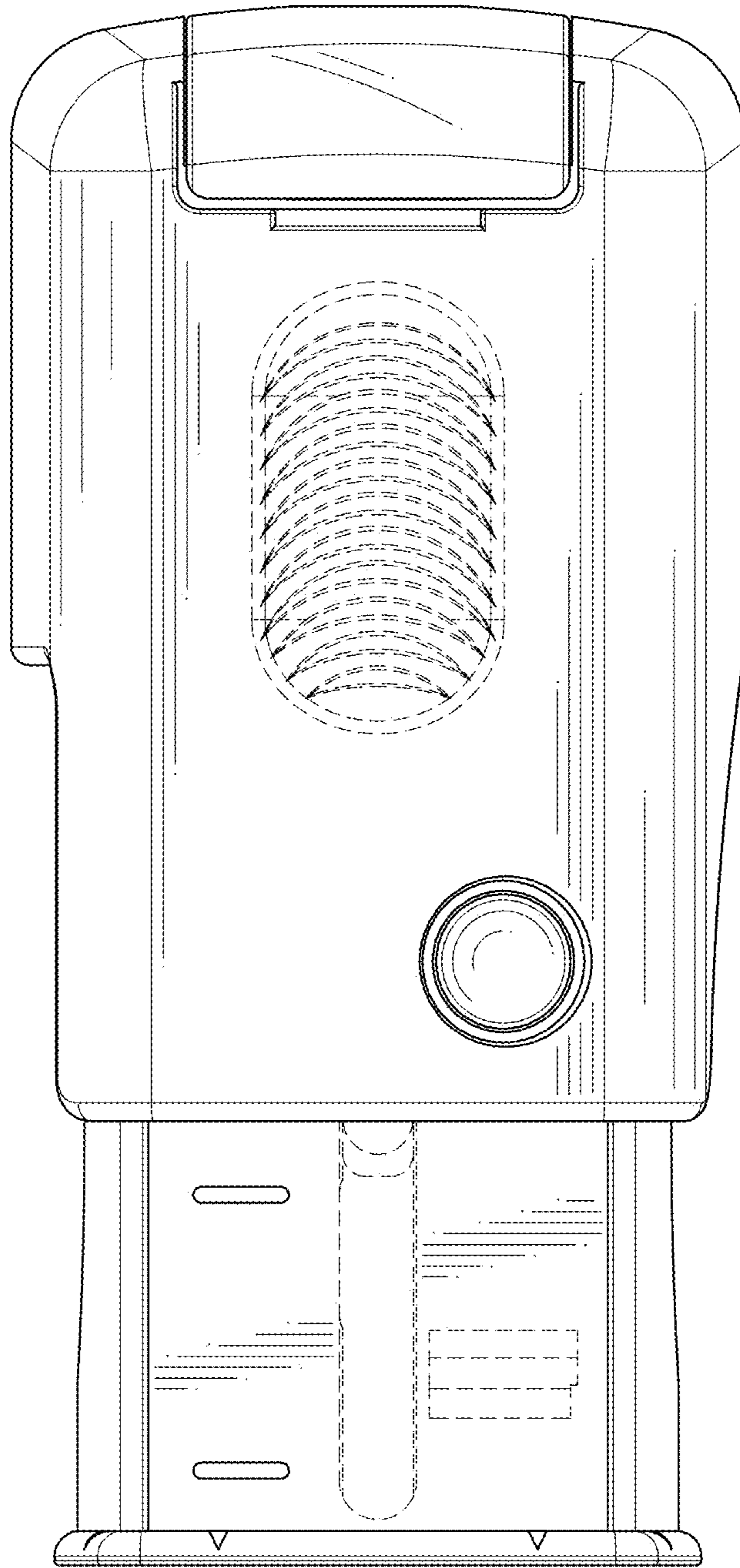


FIG. 4

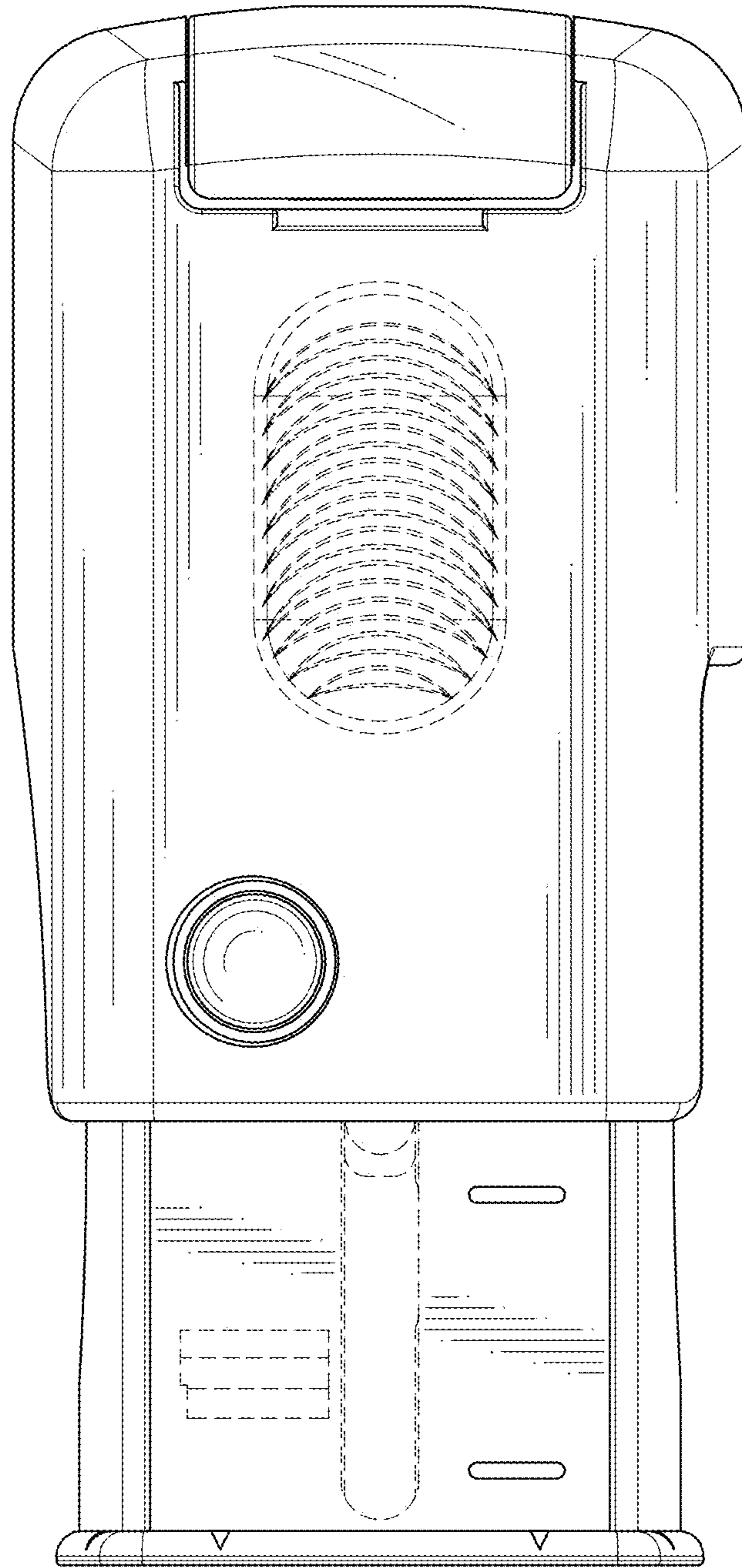


FIG. 5

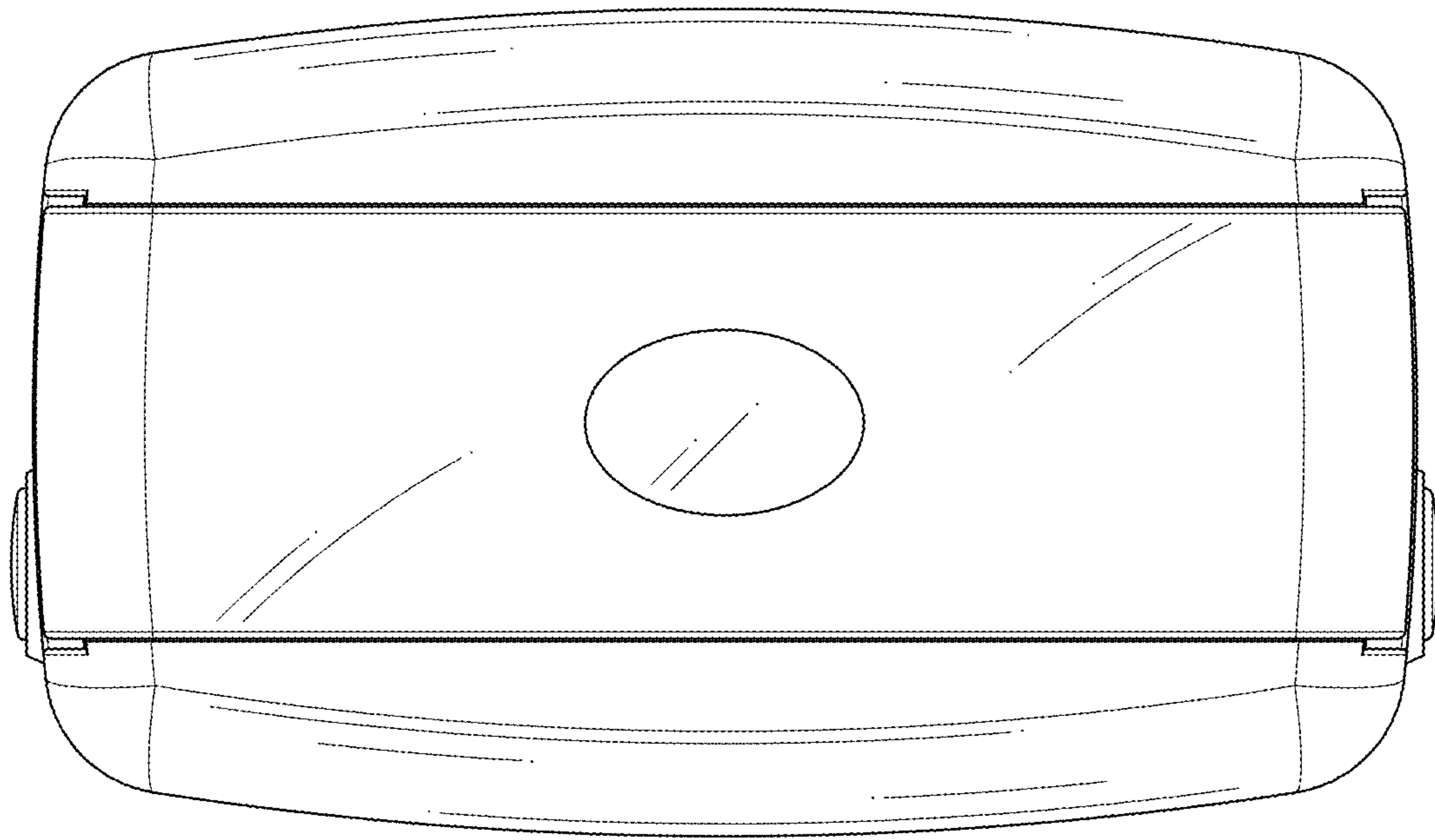


FIG. 6

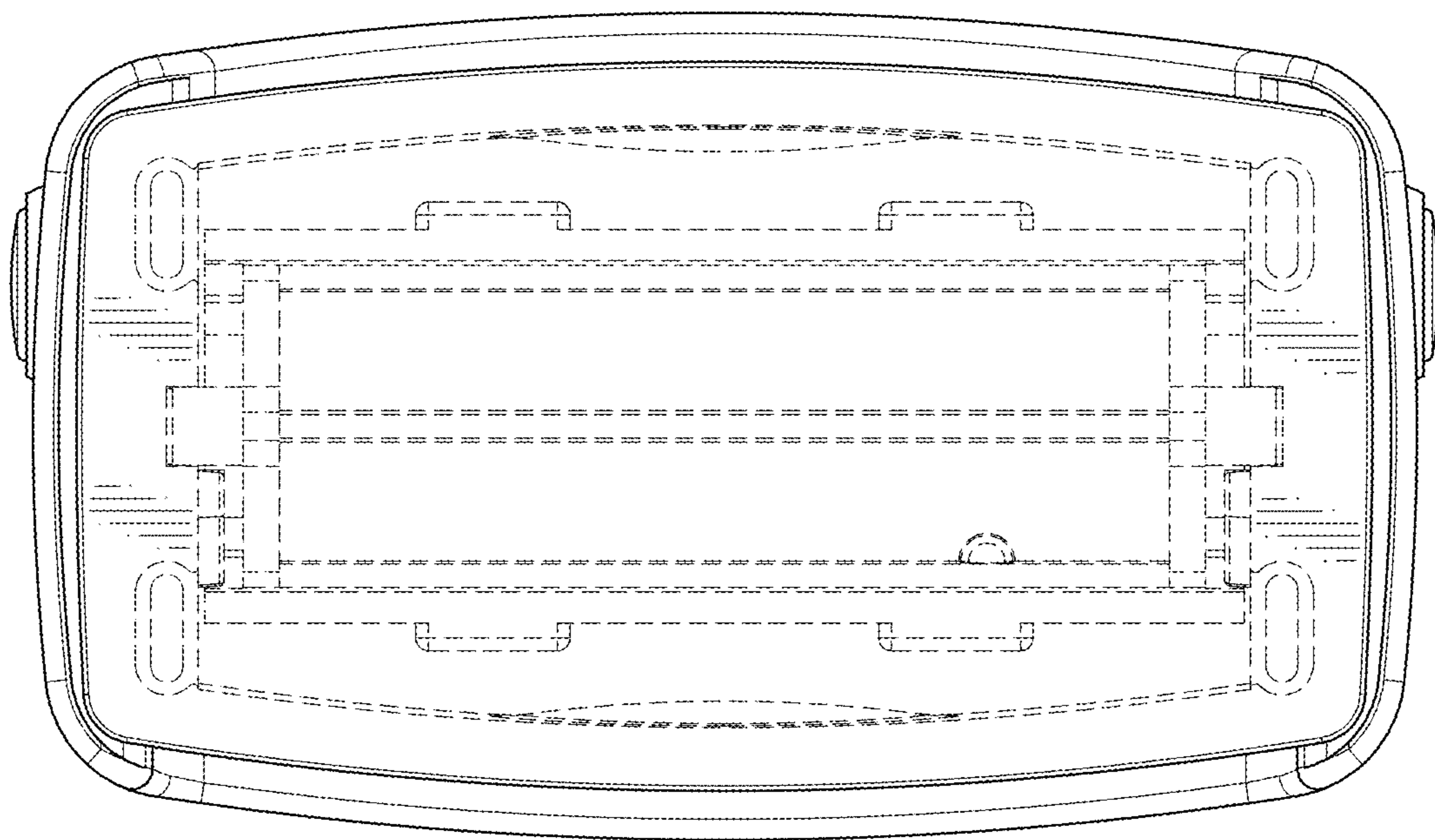


FIG. 7