



US00D870199S

(12) **United States Design Patent**
Graham

(10) **Patent No.:** **US D870,199 S**

(45) **Date of Patent:** **** Dec. 17, 2019**

(54) **ELECTRONIC DEVICE FOR MUSICAL INSTRUMENT**

(71) Applicant: **Roger William Graham**, Santa Barbara, CA (US)

(72) Inventor: **Roger William Graham**, Santa Barbara, CA (US)

(**) Term: **15 Years**

(21) Appl. No.: **29/634,263**

(22) Filed: **Jan. 19, 2018**

Related U.S. Application Data

(62) Division of application No. 29/524,511, filed on Apr. 21, 2015, now Pat. No. Des. 817,386.

(51) **LOC (12) Cl.** **17-99**

(52) **U.S. Cl.**
USPC **D17/99**

(58) **Field of Classification Search**
USPC D14/217; D17/20, 99
CPC G10H 1/32; G10H 1/46; G06F 17/00
See application file for complete search history.

(56) **References Cited**

U.S. PATENT DOCUMENTS

D189,619 S *	1/1961	Barradass et al.	D10/46
D220,268 S *	3/1971	Kliewer et al.	D14/496
D235,779 S *	7/1975	Barr et al.	D10/46
D236,212 S *	8/1975	Beigel et al.	D14/188
D244,215 S *	5/1977	Ross	D14/217
D315,144 S *	3/1991	Dard	D10/46
5,022,305 A *	6/1991	Butler	G10H 1/16 330/123
D355,656 S *	2/1995	Coppersmith	D14/217
D368,270 S *	3/1996	Jue	D10/75
5,627,336 A *	5/1997	Stevens	G10H 1/0555 84/746
D421,621 S *	3/2000	Cooper	84/454

6,215,055 B1 *	4/2001	Saravis	G10H 1/348 84/422.1
D504,458 S *	4/2005	Edwards	D17/20
D518,086 S *	3/2006	Ito	D17/99
7,476,799 B2 *	1/2009	Purchon	G10H 1/0091 84/694
7,711,442 B2 *	5/2010	Ryle	G10H 3/186 700/94
D630,616 S *	1/2011	Vex	D14/217
D682,346 S *	5/2013	Bogdan	D17/20
8,525,015 B2 *	9/2013	Armstrong	G10H 1/348 381/118
8,609,973 B2 *	12/2013	D'Amours	G10H 1/0083 84/626
D752,130 S *	3/2016	Alstad	D17/20
D758,350 S *	6/2016	Mulumudi	D14/217
D769,363 S *	10/2016	Chou	D17/20
D771,594 S *	11/2016	Hong	D14/217
D778,980 S *	2/2017	Myers	D17/20
D781,267 S *	3/2017	Hirabayashi	D14/217

(Continued)

Primary Examiner — Karen S Acker

Assistant Examiner — Steven B Reinholdt, Jr.

(74) *Attorney, Agent, or Firm* — Roger W. Graham

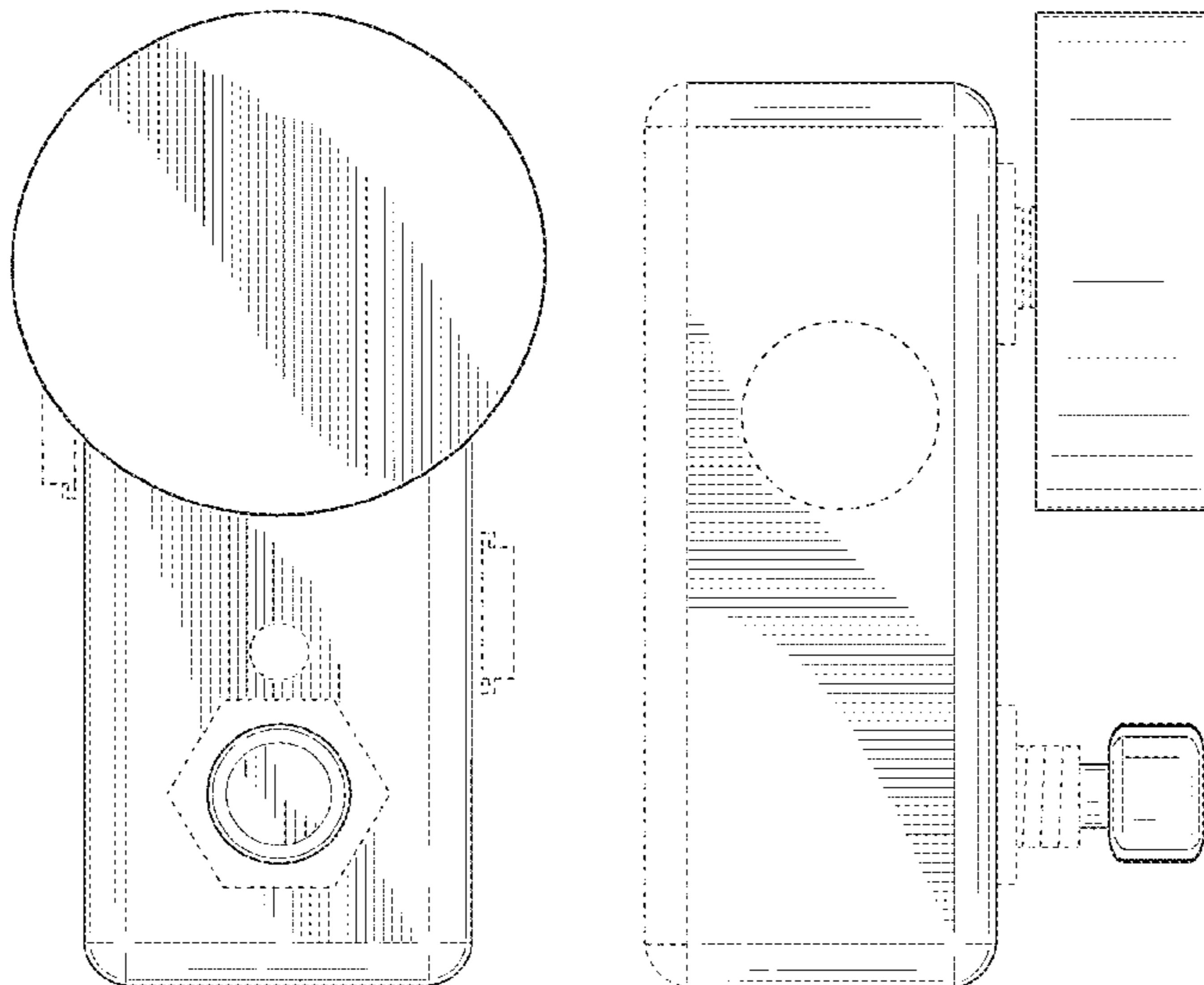
(57) **CLAIM**

The ornamental design for an electronic device for musical instrument, as shown and described.

DESCRIPTION

FIG. 1 is a top view of the electronic device for musical instrument illustrating my new ornamental design; FIG. 2 is a left side view thereof; FIG. 3 is a right side view thereof; FIG. 4 is a front view thereof; and, FIG. 5 is a rear view thereof. The broken lines depict portions of the electronic device for musical instrument that form no part of the claimed design.

1 Claim, 3 Drawing Sheets



(56)

References Cited

U.S. PATENT DOCUMENTS

D782,566	S *	3/2017	Faoro	D13/167
D791,859	S *	7/2017	Graham	D17/99
D795,841	S *	8/2017	Mistry	D14/217
D817,386	S *	5/2018	Graham	D17/99
9,972,295	B2 *	5/2018	Lee	G10H 1/0091
D831,003	S *	10/2018	Suzuki	D14/217
D832,822	S *	11/2018	Cho	D14/217
10,127,899	B2 *	11/2018	Perez	G10H 1/0058
D836,579	S *	12/2018	Gannon	D14/126
D836,708	S *	12/2018	Juszkiewicz	D17/20
2007/0234880	A1 *	10/2007	Adams	G10H 1/0066
					84/601
2008/0173164	A1 *	7/2008	Francis	G10H 3/187
					84/721
2009/0199700	A1 *	8/2009	Goldstein	G10H 1/348
					84/746
2012/0297963	A1 *	11/2012	Armstrong	G10H 1/0091
					84/746
2014/0123839	A1 *	5/2014	Gadol, III	G10H 1/348
					84/746
2014/0205113	A1 *	7/2014	Slipp	G10H 7/008
					381/119
2015/0161978	A1 *	6/2015	Packouz	G10H 1/40
					84/746
2016/0063976	A1 *	3/2016	Wilk	G10H 1/055
					84/626
2016/0258574	A1 *	9/2016	Abbate	G10H 1/32
2017/0316766	A1 *	11/2017	Perez	G10H 1/18

* cited by examiner

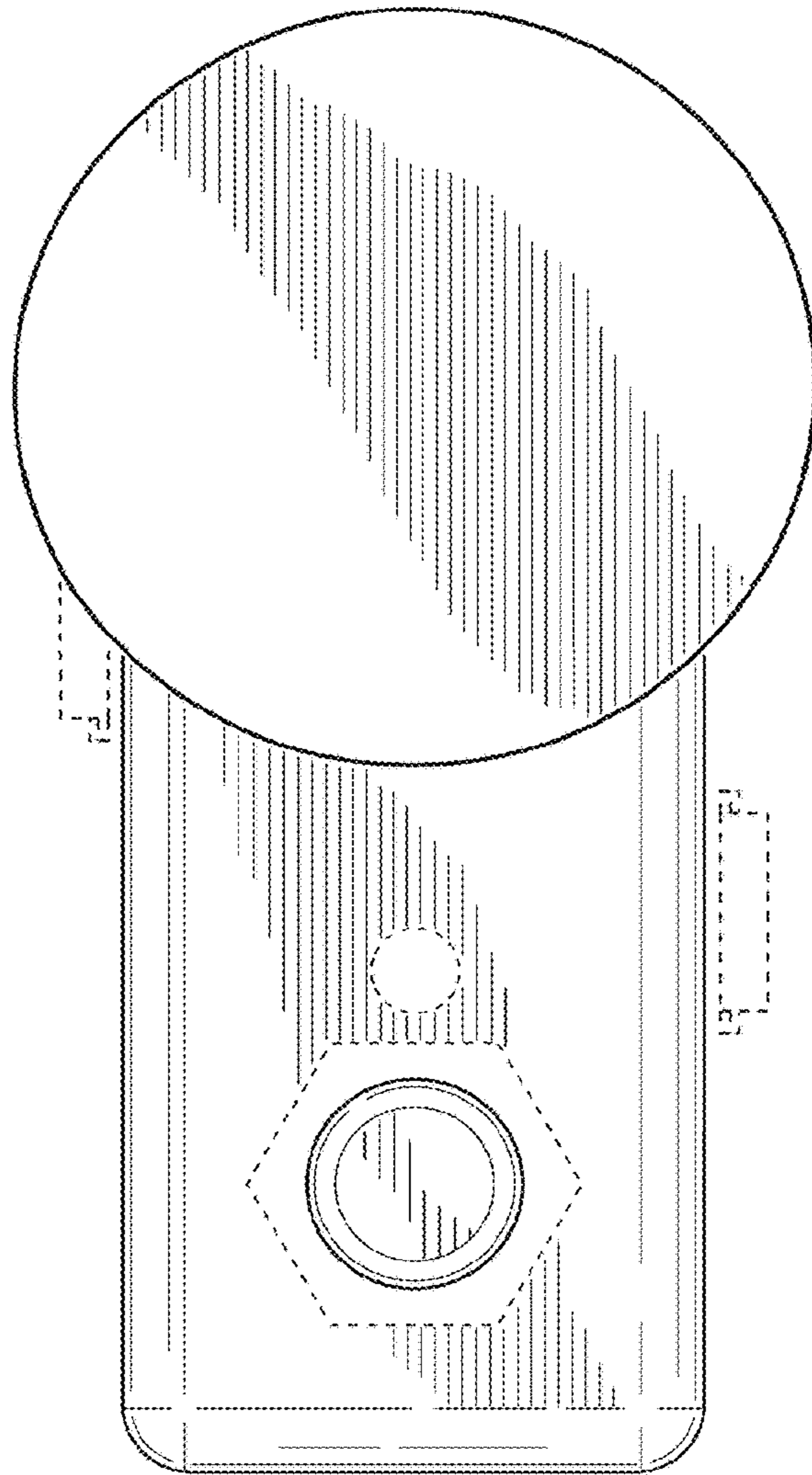


FIG. 1

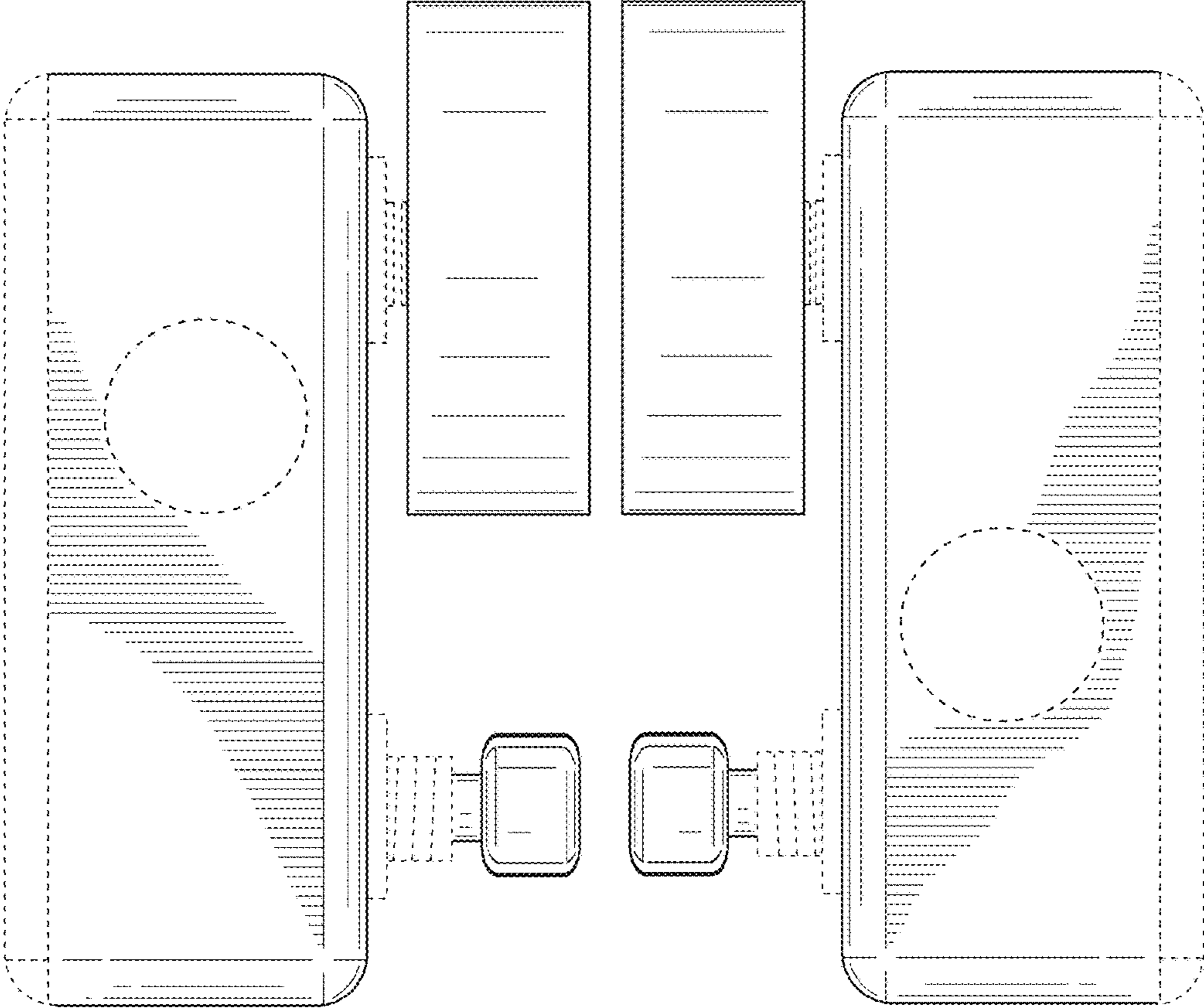


FIG. 2

FIG. 3

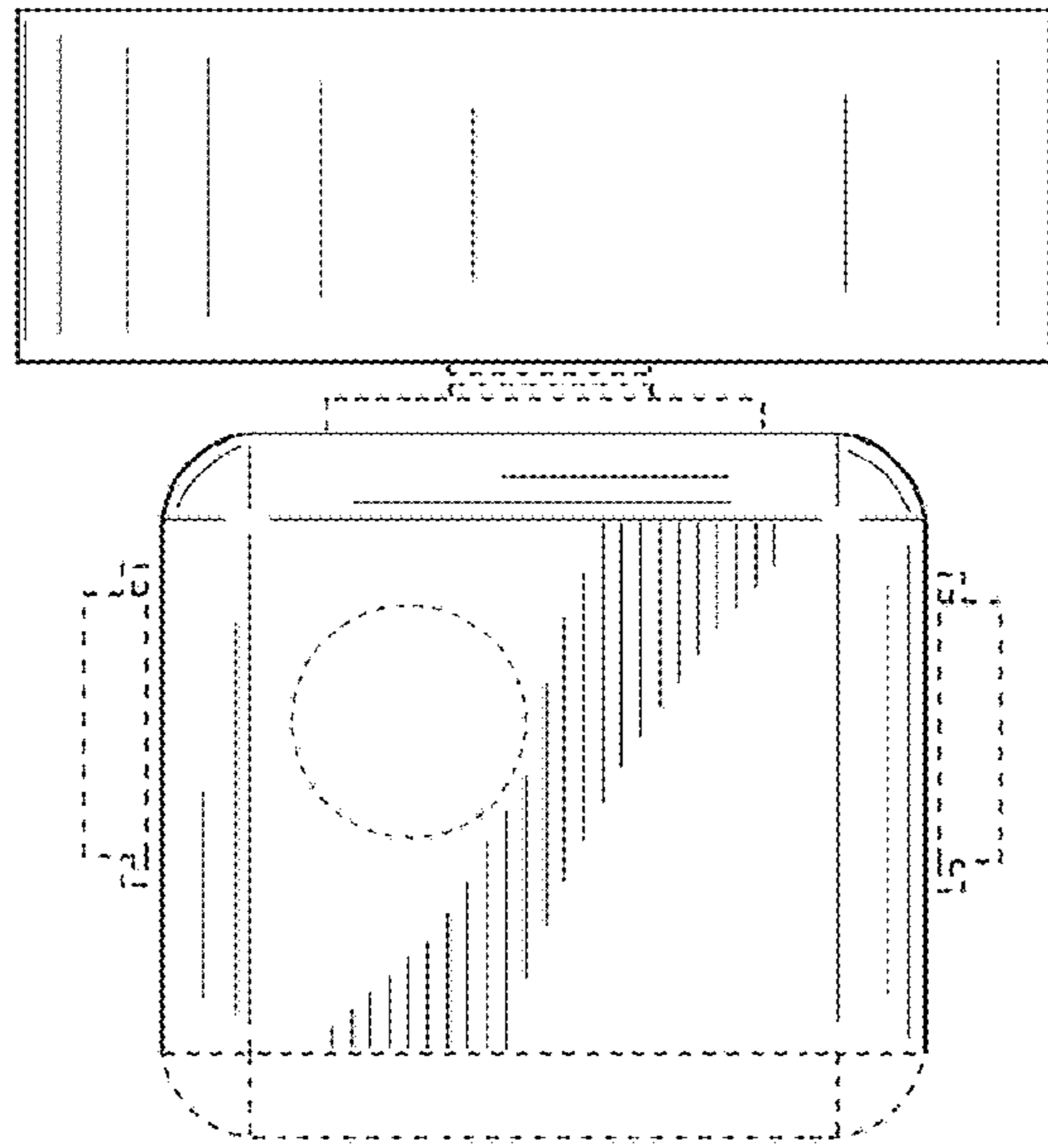


FIG. 4

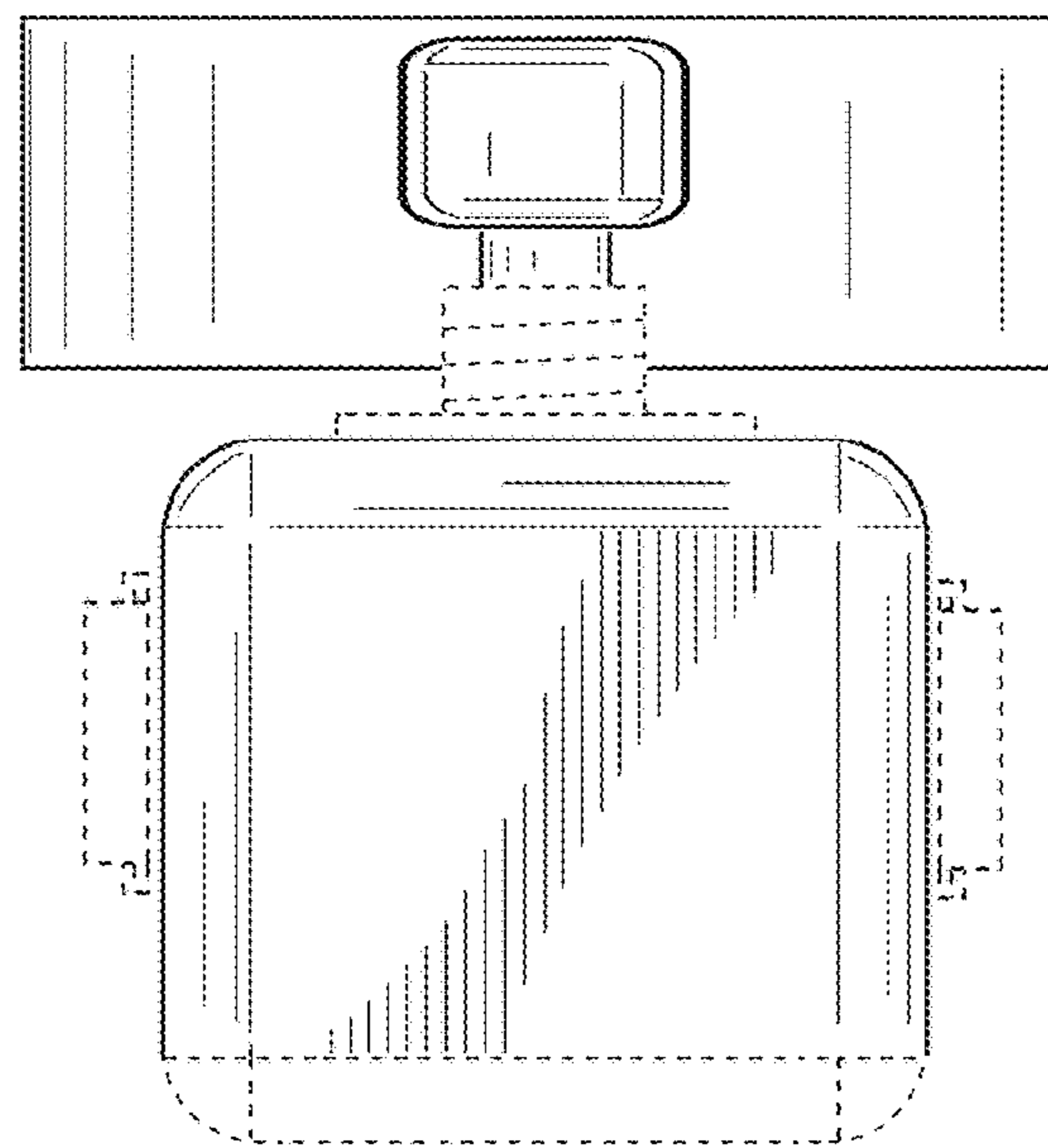


FIG. 5