



US00D870189S

(12) **United States Design Patent** (10) **Patent No.:** **US D870,189 S**
Cleveland et al. (45) **Date of Patent:** **** Dec. 17, 2019**

(54) **POLE-MOUNTABLE CAMERA SUPPORT STRUCTURE**

(71) Applicant: **Duke Energy Corporation**, Charlotte, NC (US)

(72) Inventors: **James Cleveland**, Cornelius, NC (US); **Gregory S. Tribbe**, New York, NY (US); **Louis Lombardi**, Maplewood, NJ (US); **Gilbert DeFreitas**, Palm Coast, FL (US); **Peter Henderson**, Cary, NC (US)

(73) Assignee: **Duke Energy Corporation**, Charlotte, NC (US)

(**) Term: **15 Years**

(21) Appl. No.: **29/670,153**

(22) Filed: **Nov. 14, 2018**

Related U.S. Application Data

(62) Division of application No. 29/593,239, filed on Feb. 7, 2017, now Pat. No. Des. 836,155.

(51) **LOC (12) Cl.** **16-05**

(52) **U.S. Cl.**
USPC **D16/242; D16/203**

(58) **Field of Classification Search**
USPC D16/237, 242-245, 203; D8/354, 355, D8/373, 382-383; D14/224, 229, 238, D14/251, 253, 447
(Continued)

(56) **References Cited**

U.S. PATENT DOCUMENTS

D187,055 S 1/1960 King
D262,634 S 1/1982 Schlagheck et al.
(Continued)

OTHER PUBLICATIONS

“Where should I mount my construction time-lapse camera?”
TrueLook Construction Cameras (7 pages) (Nov. 9, 2016).
(Continued)

Primary Examiner — Vy N Koenig
(74) *Attorney, Agent, or Firm* — Myers Bigel, P.A.

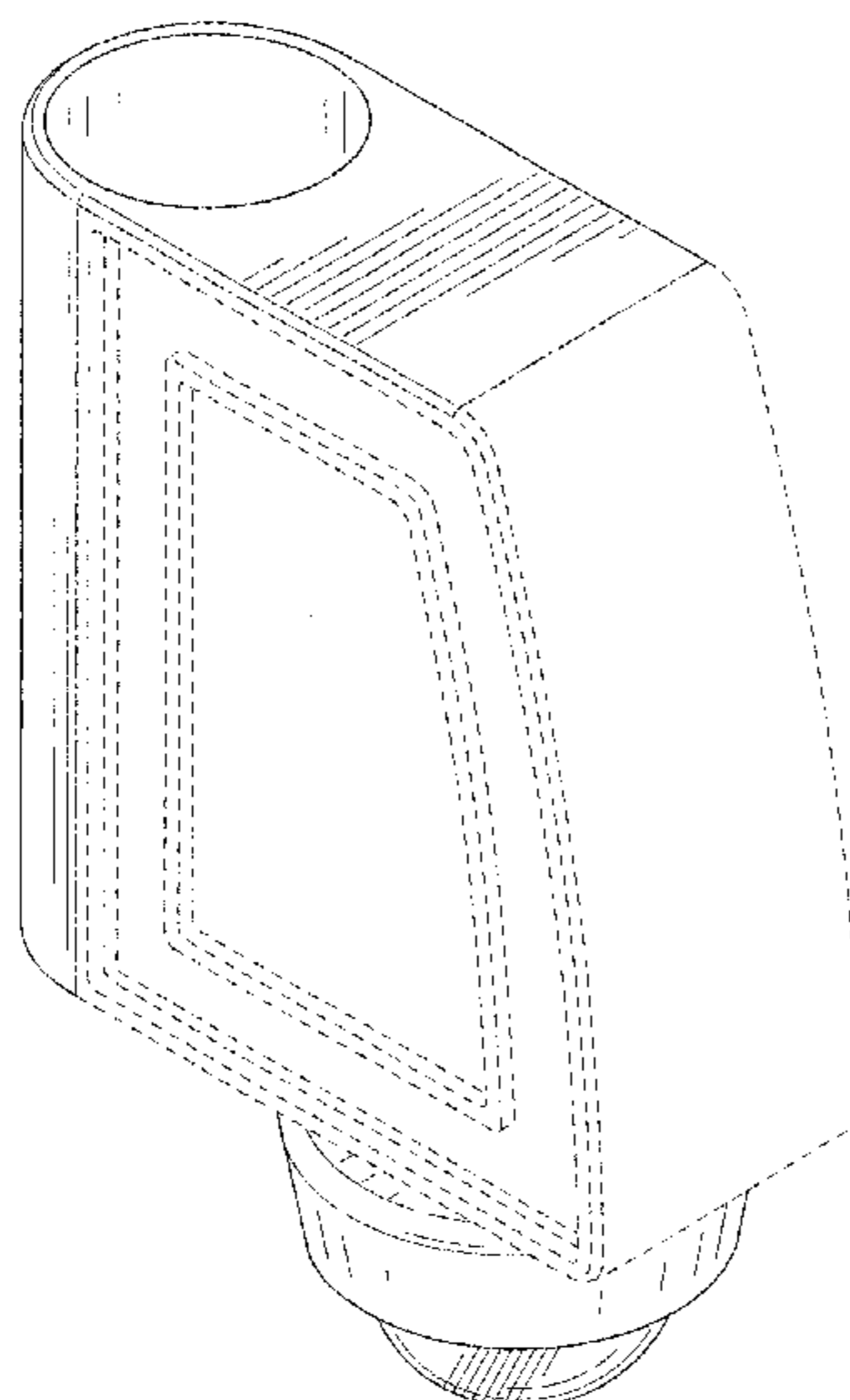
(57) **CLAIM**

The ornamental design for a pole-mountable camera support structure, as shown and described.

DESCRIPTION

FIG. 1 is a front perspective view of a first embodiment of a pole-mountable camera support structure, showing our design;
FIG. 2 is a front view thereof;
FIG. 3 is a rear view thereof;
FIG. 4 is a side view thereof;
FIG. 5 is an opposing side view thereof;
FIG. 6 is a bottom view thereof;
FIG. 7 is a top view thereof;
FIG. 8 is a front perspective environmental view thereof;
FIG. 9 is a front perspective view of a second embodiment of a pole-mountable camera support structure, showing our design;
FIG. 10 is a front view thereof;
FIG. 11 is a rear view thereof;
FIG. 12 is a side view thereof;
FIG. 13 is an opposing side view thereof;
FIG. 14 is a bottom view thereof;
FIG. 15 is a top view thereof; and,
FIG. 16 is a front perspective environmental view thereof.
The broken lines in the drawings depict environmental structure and form no part of the claimed design. The stippling patterns shown in FIGS. 9-16 indicate components that are the same color. The color indicated by the stippling patterns may be any color that is the same for each component including the stippling patterns.

1 Claim, 14 Drawing Sheets



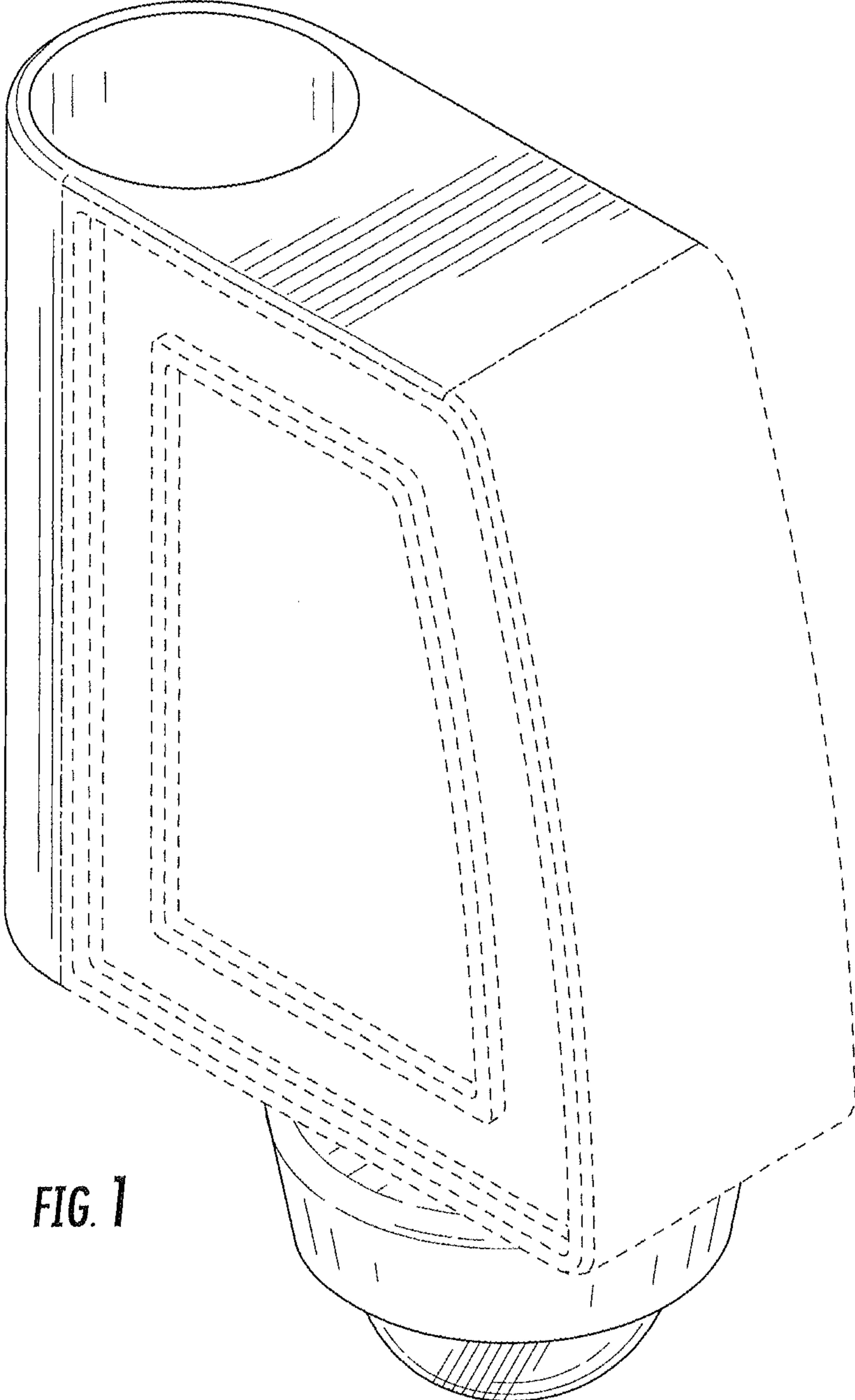


FIG. 1

FIG. 2

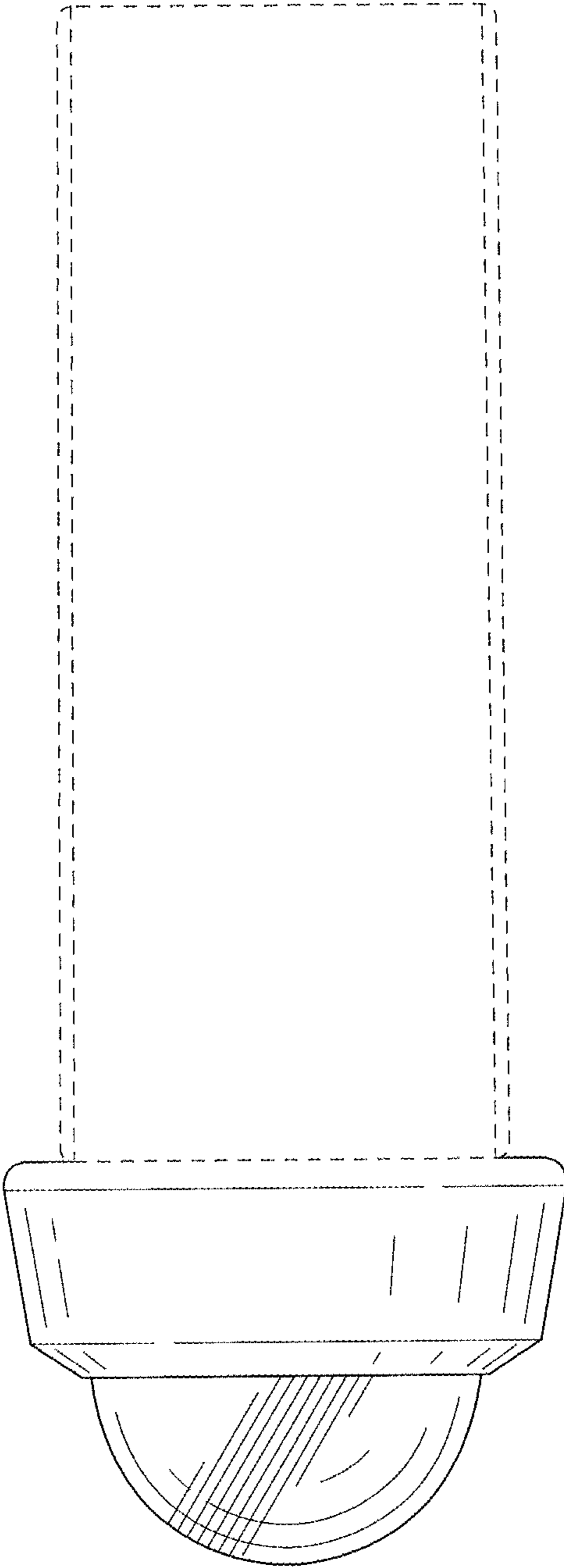
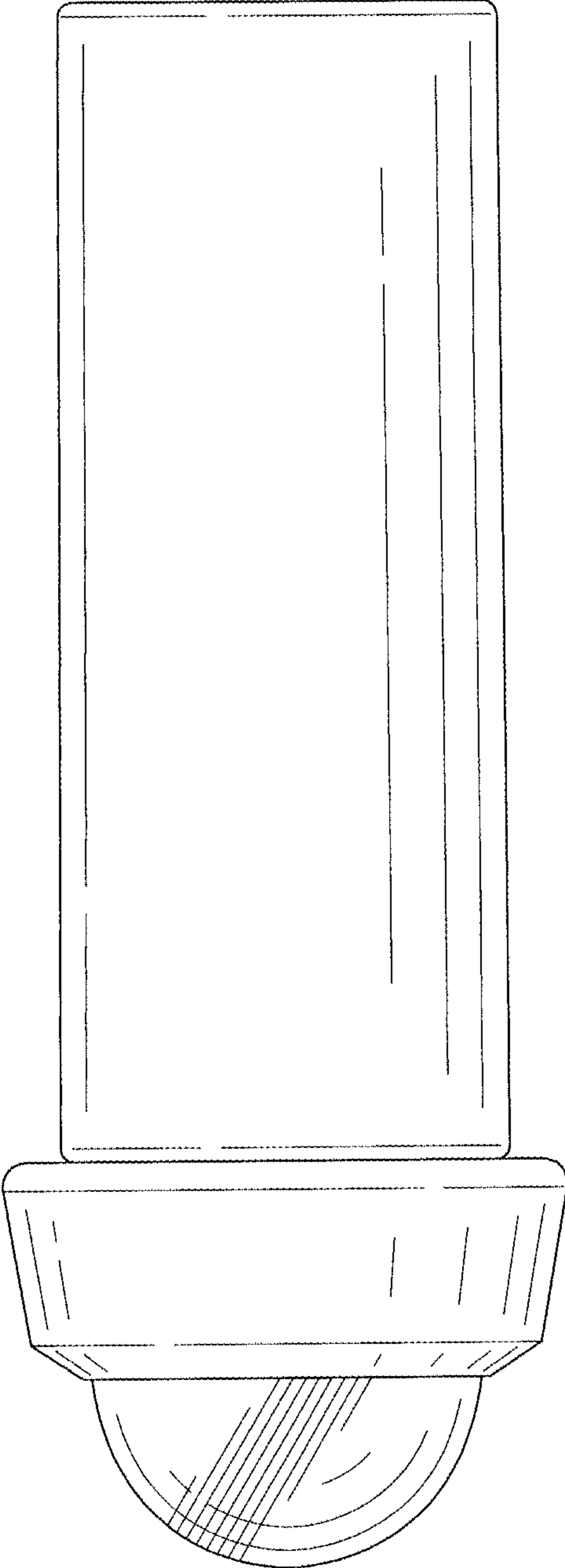


FIG. 3



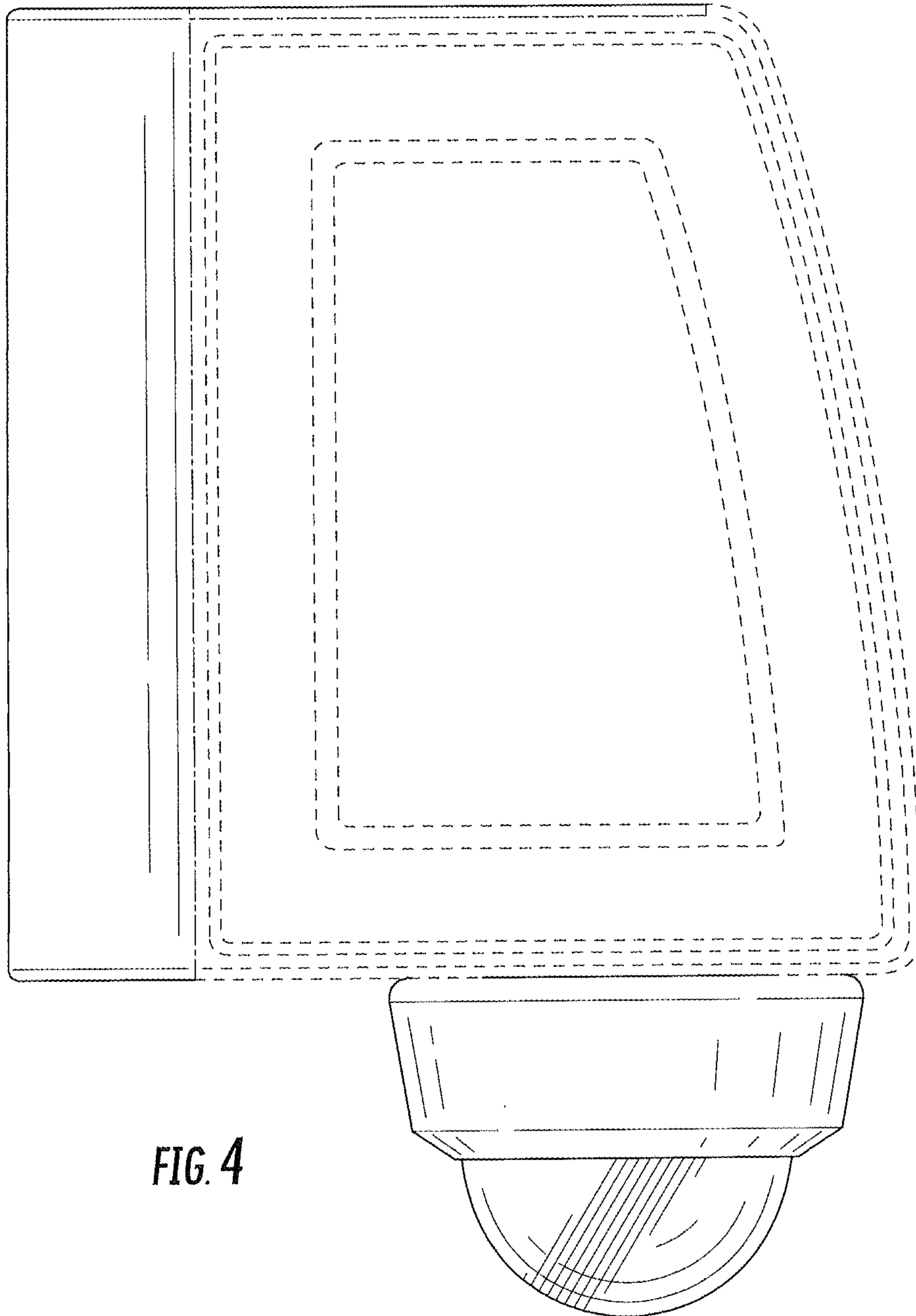


FIG. 4

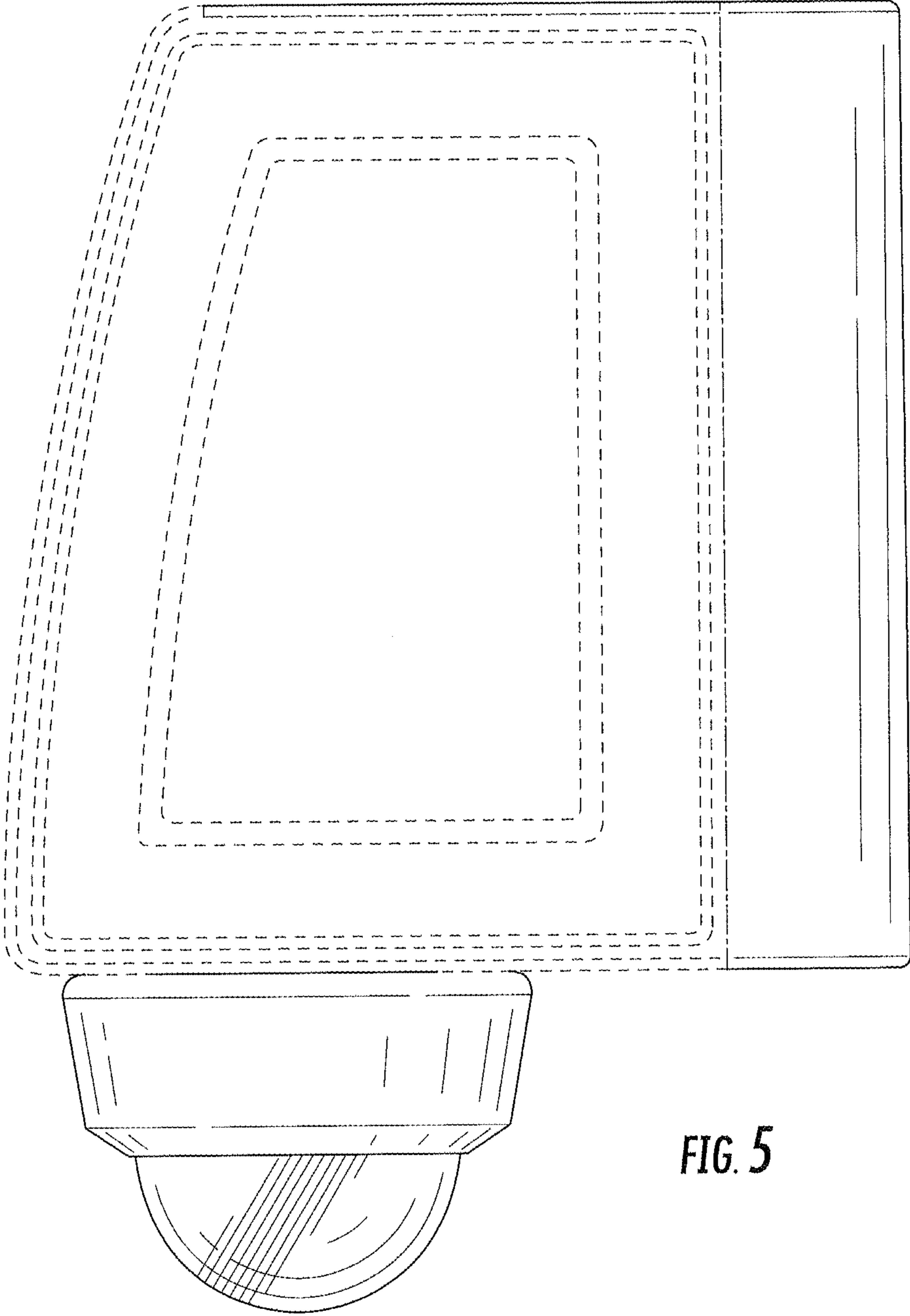


FIG. 5

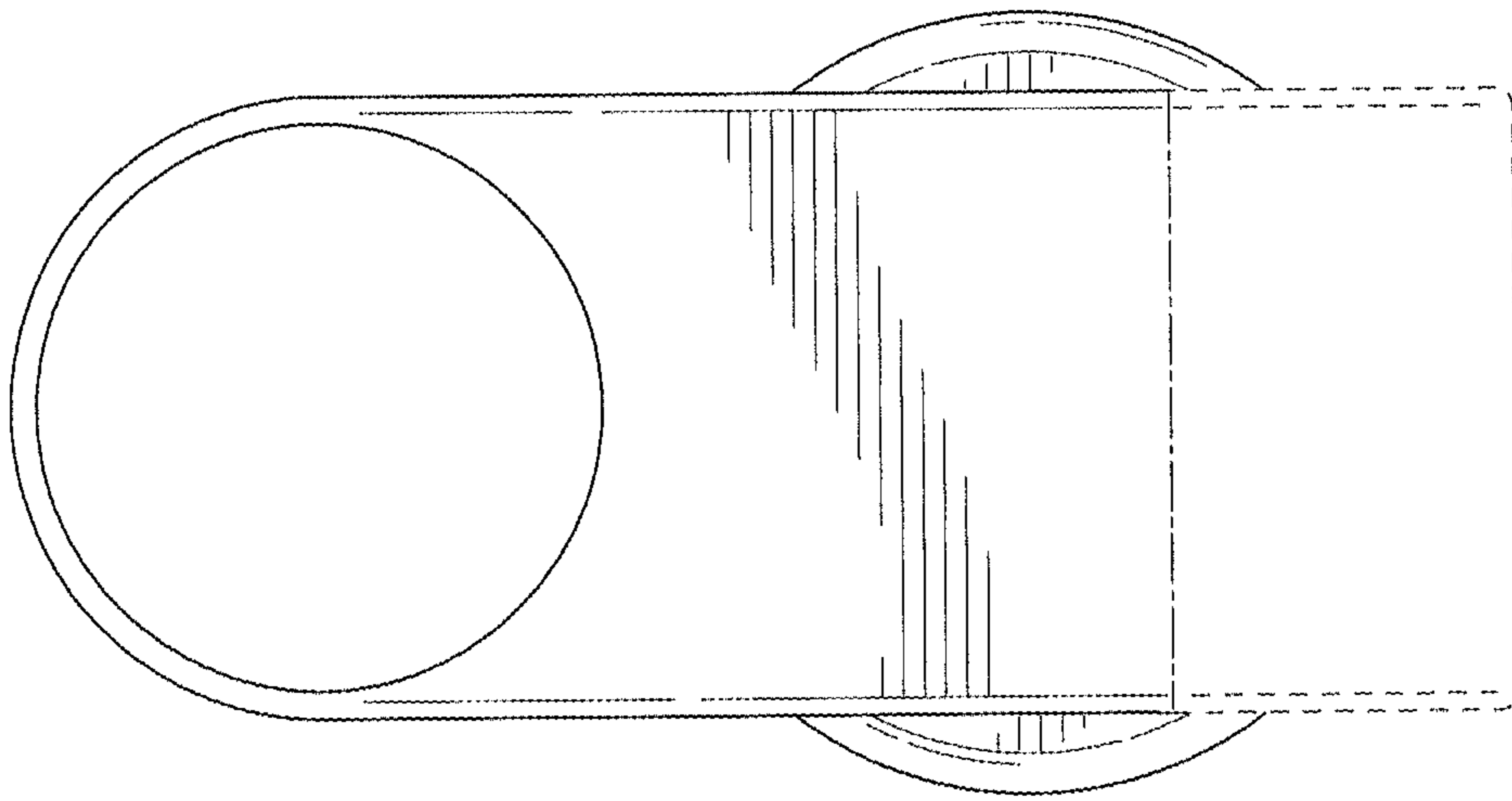


FIG. 7

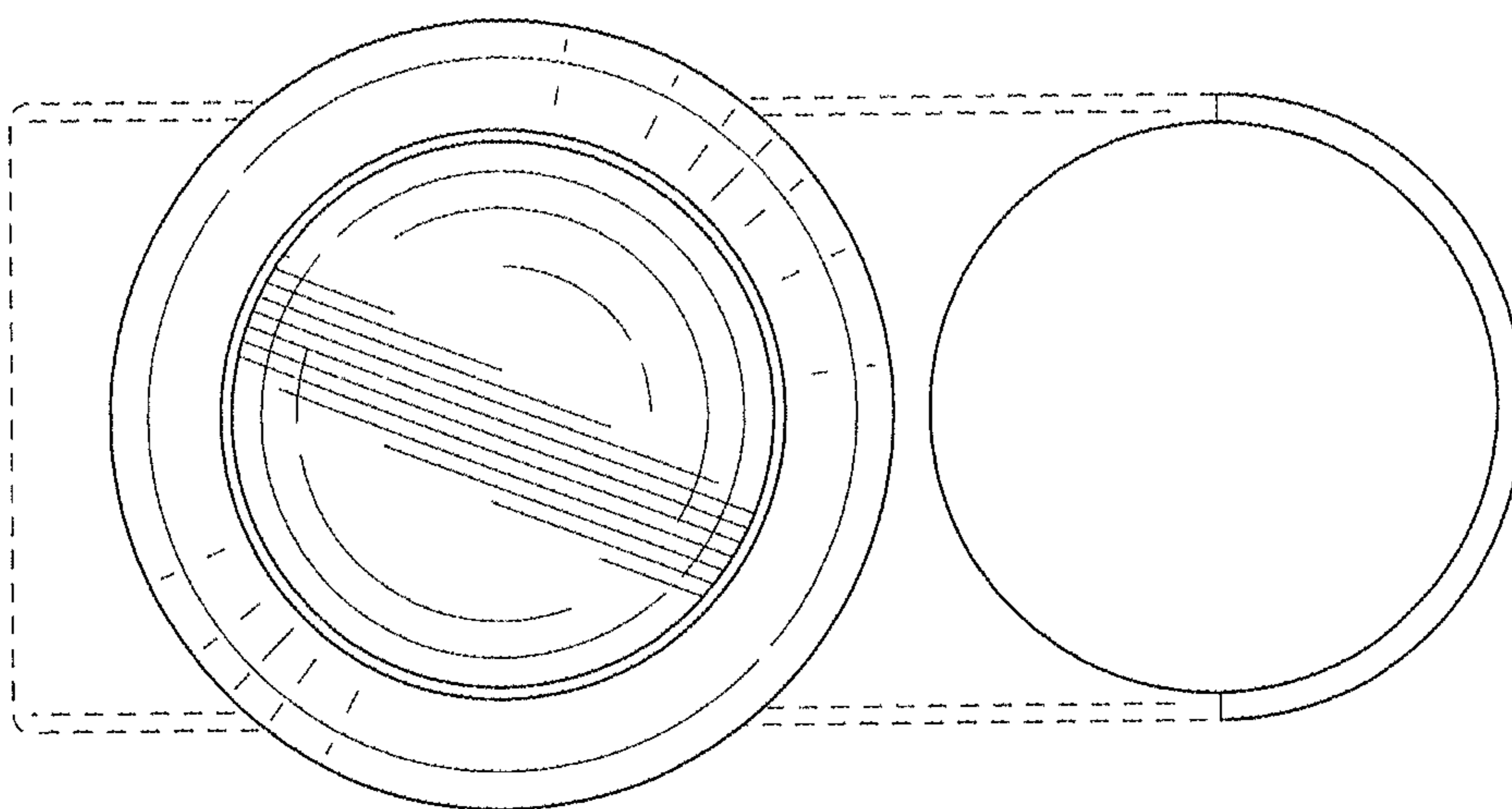


FIG. 6

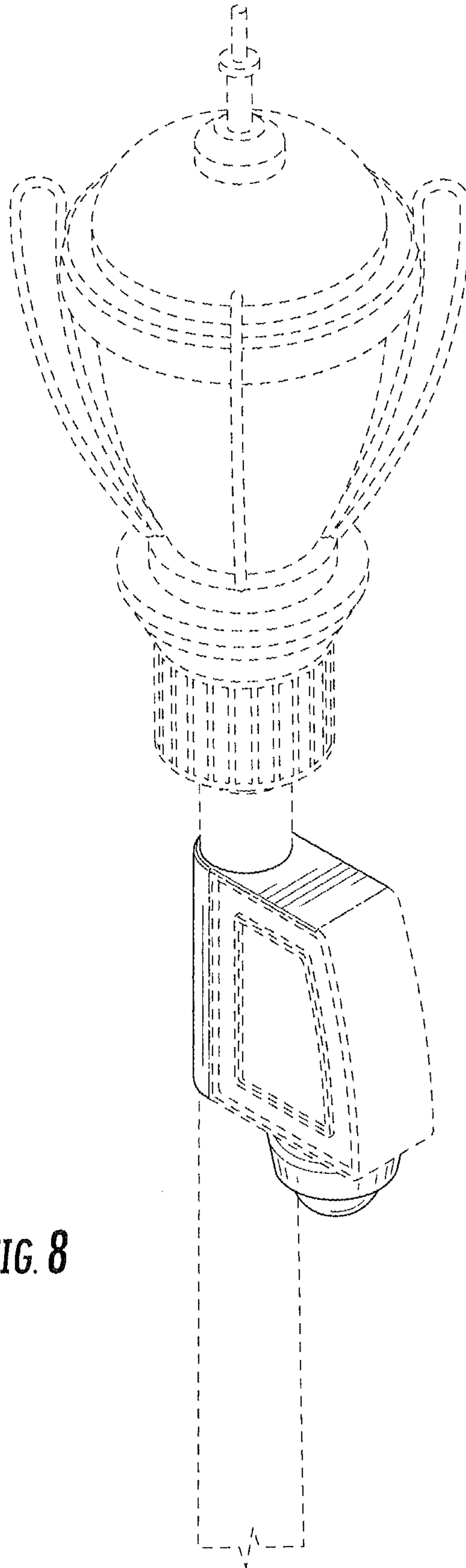


FIG. 8

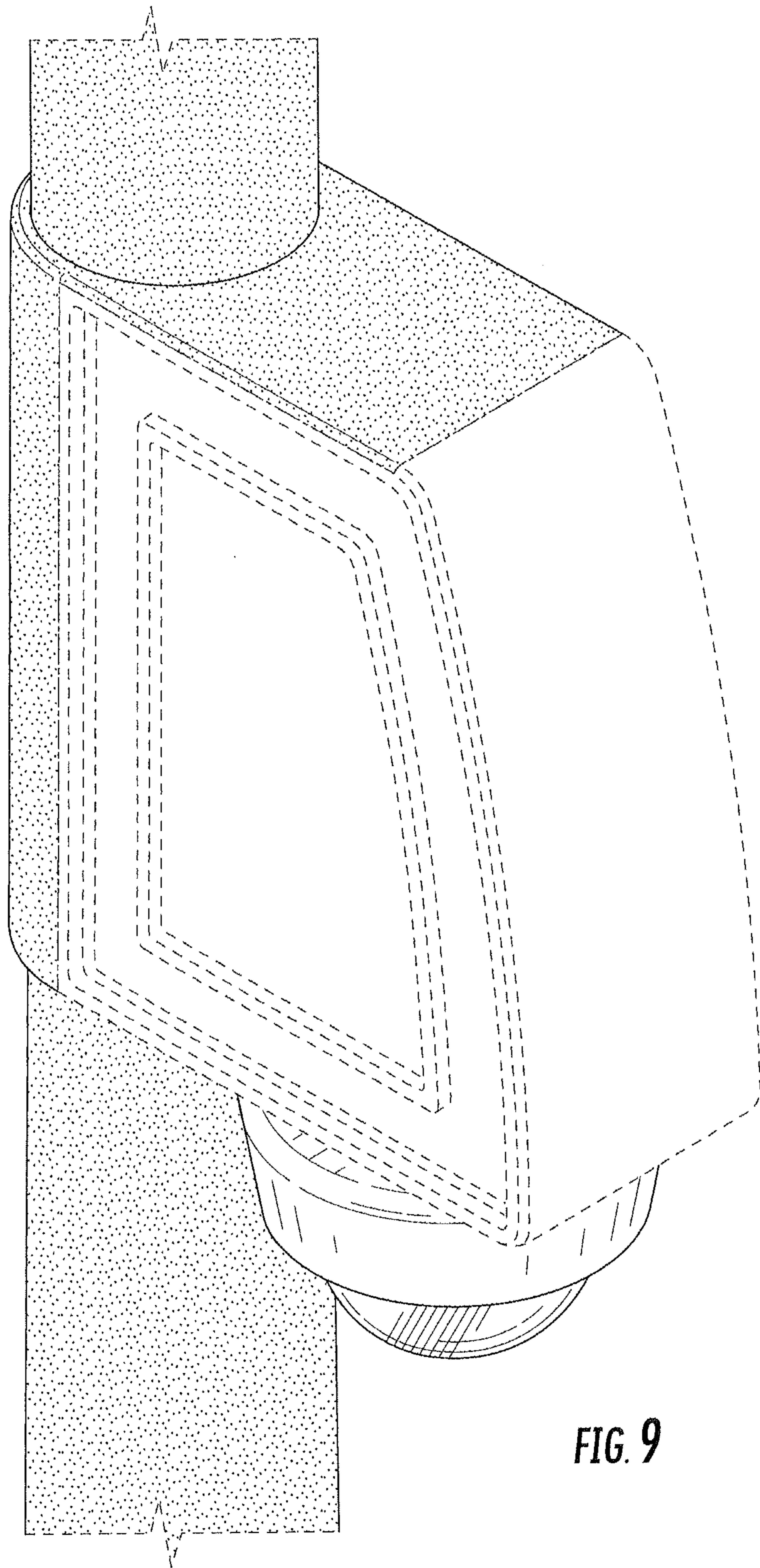


FIG. 9

FIG. 10

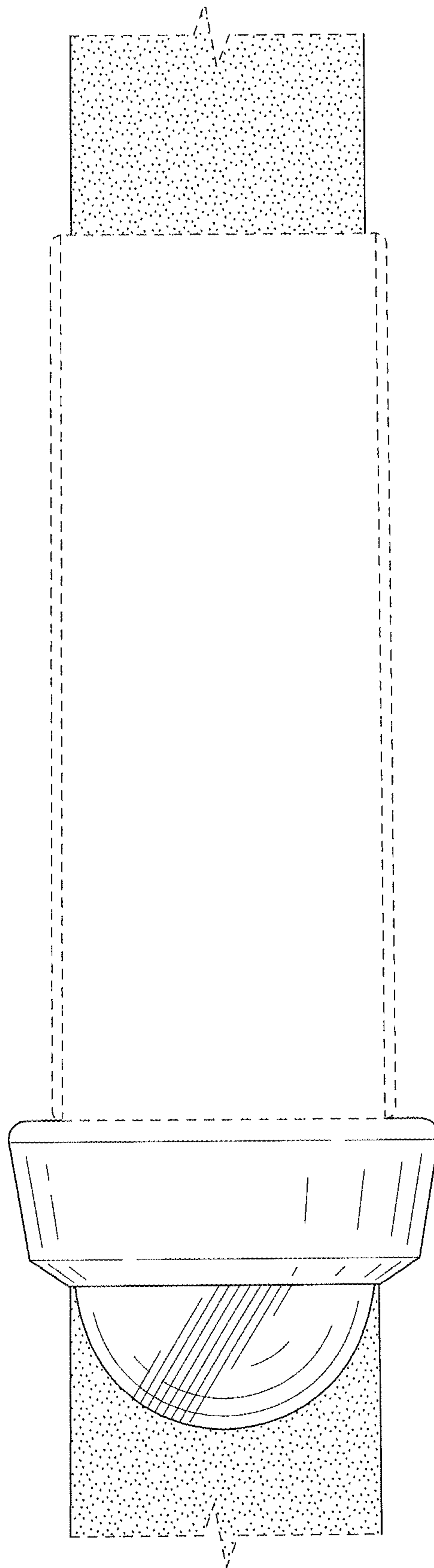
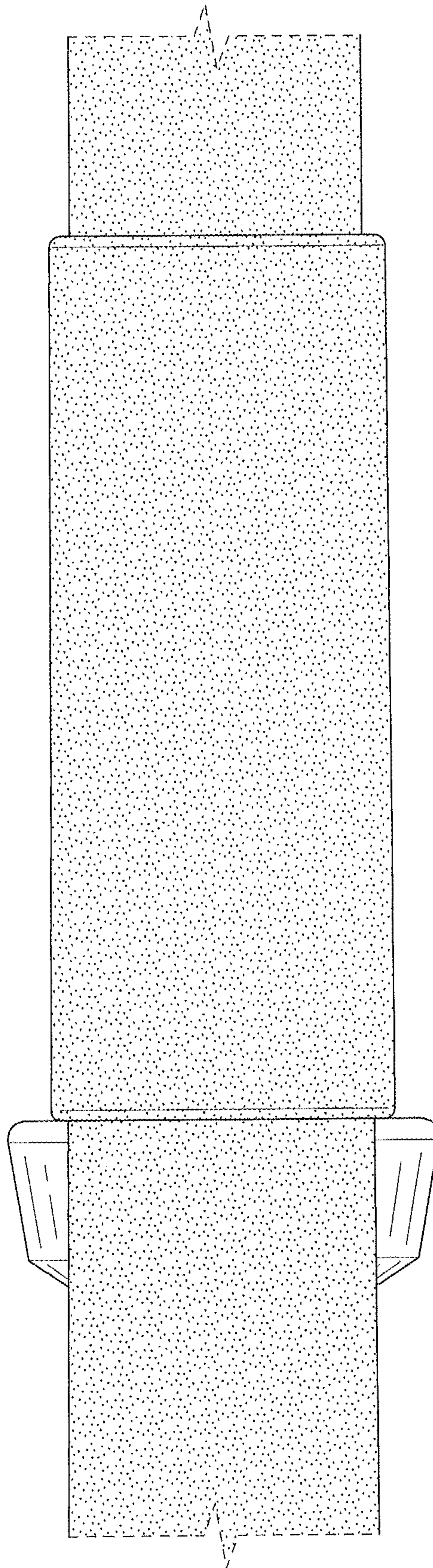


FIG. 11



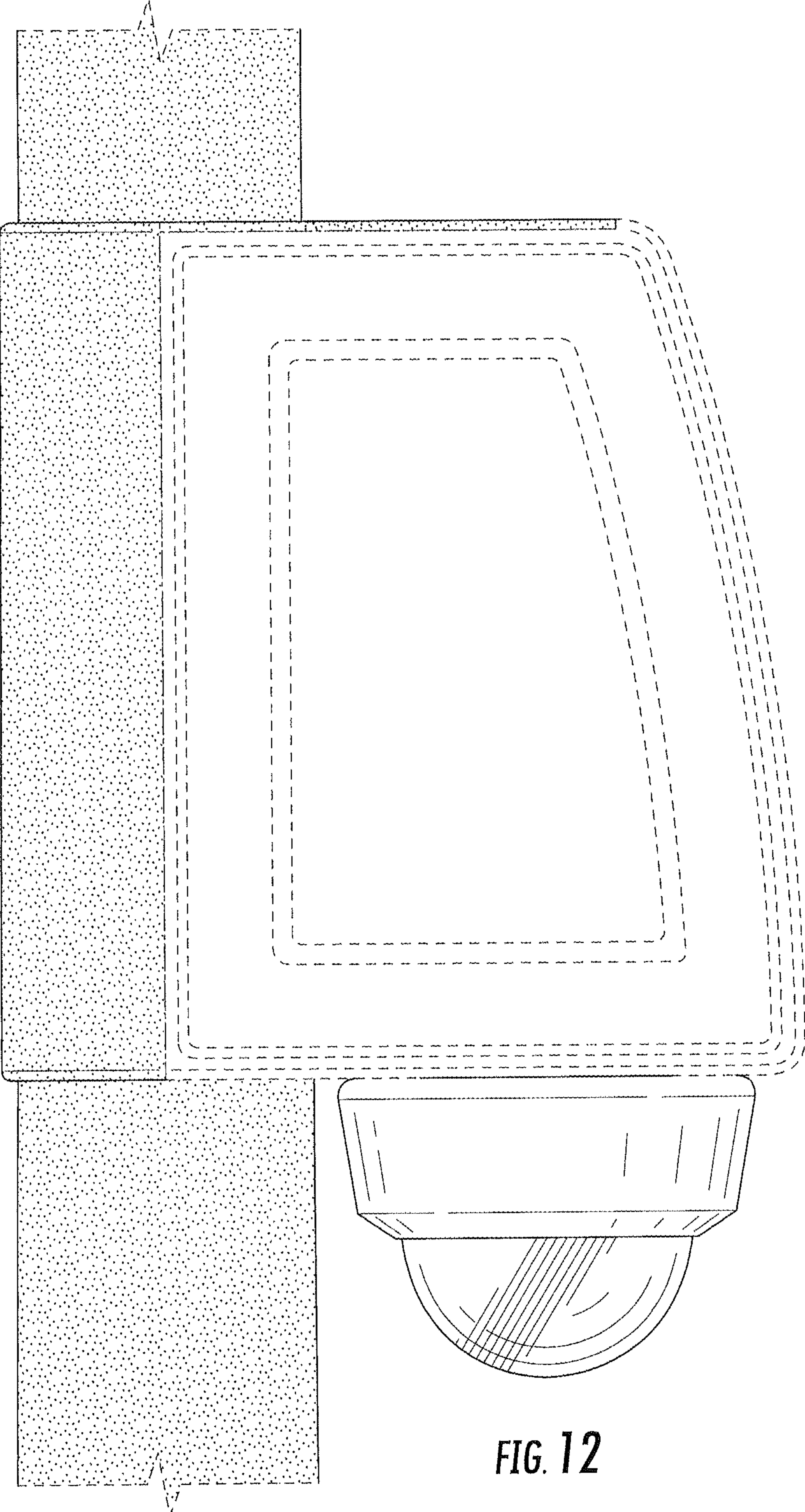


FIG. 12

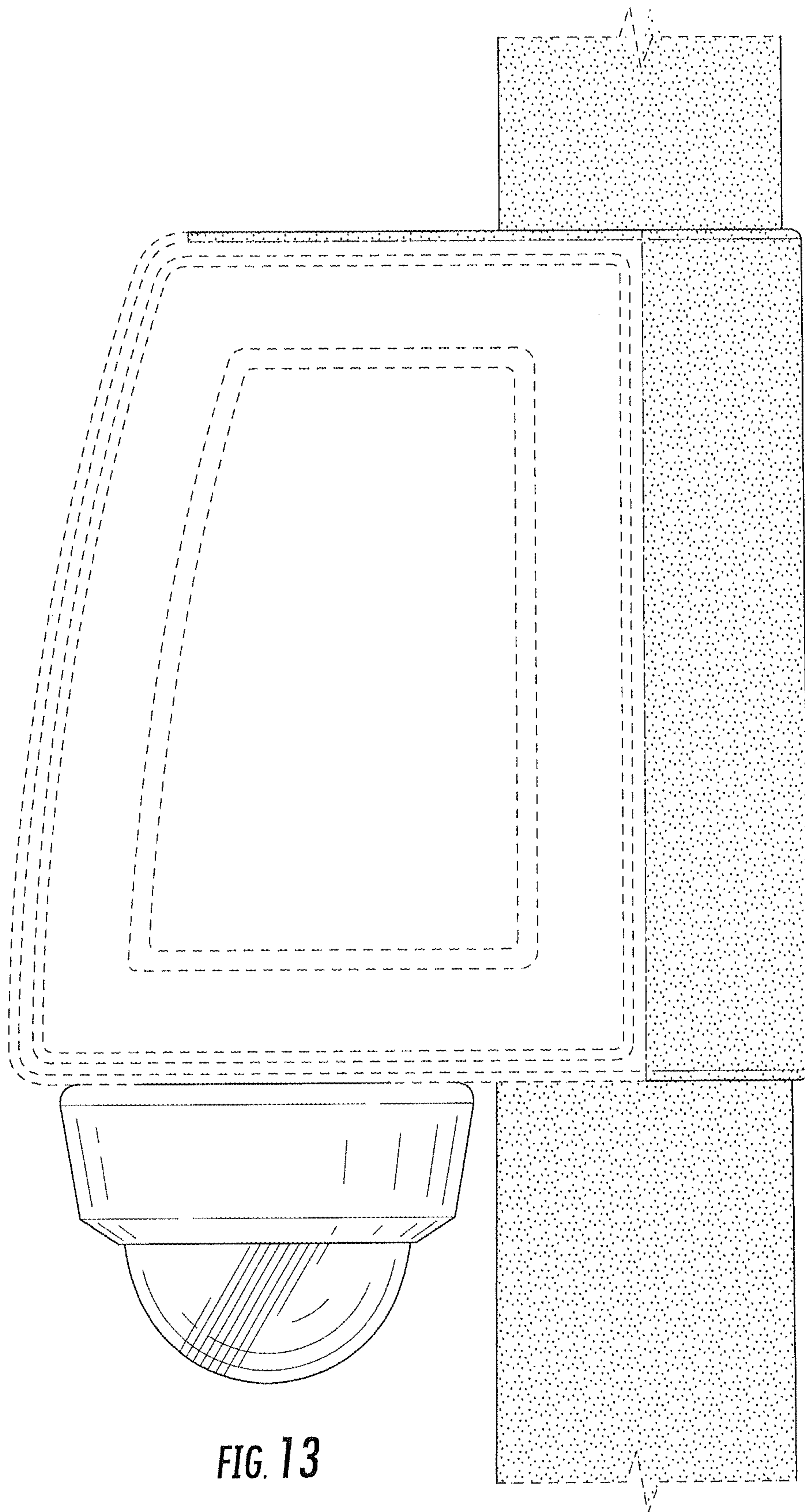


FIG. 13

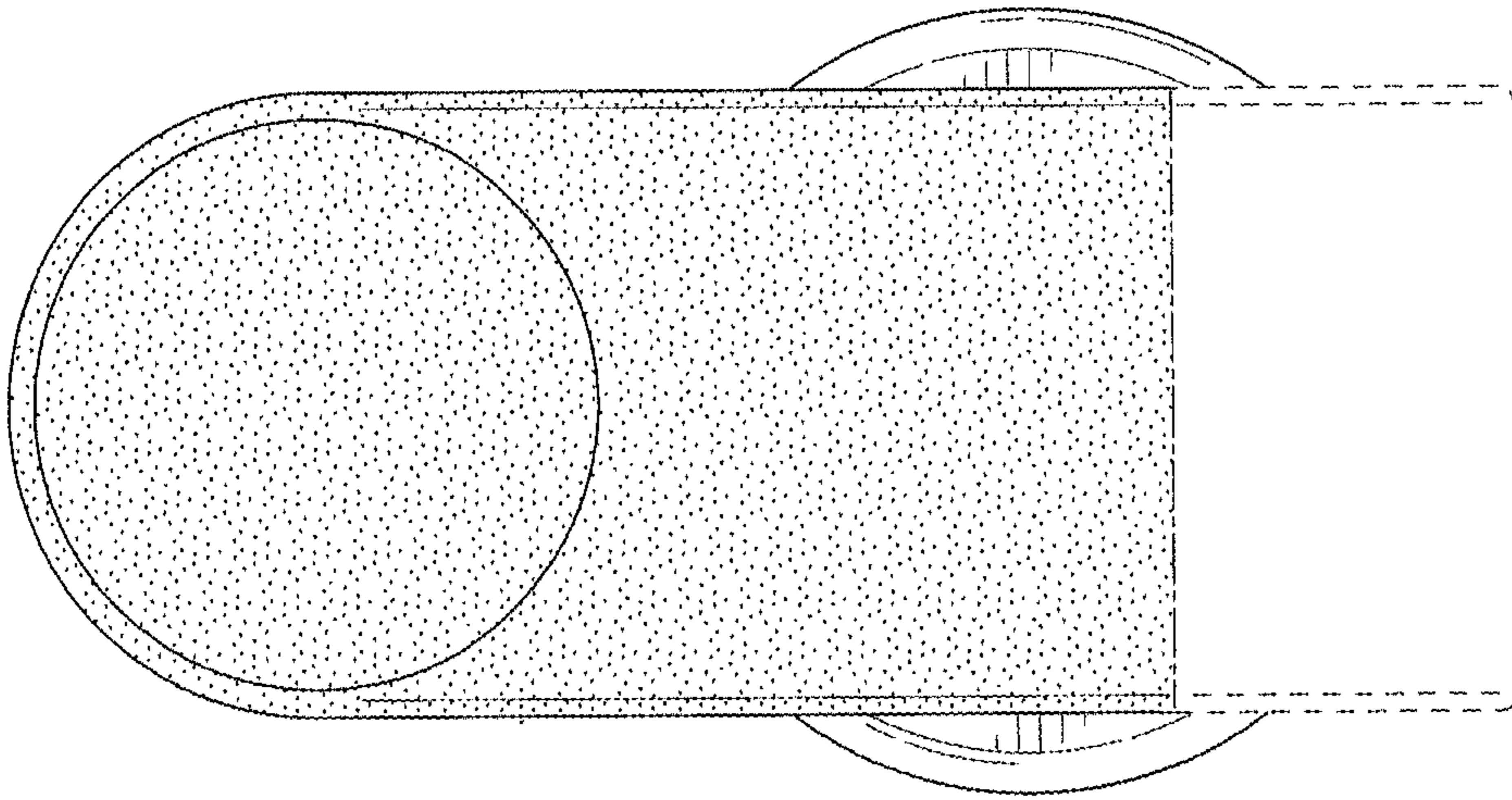


FIG. 15

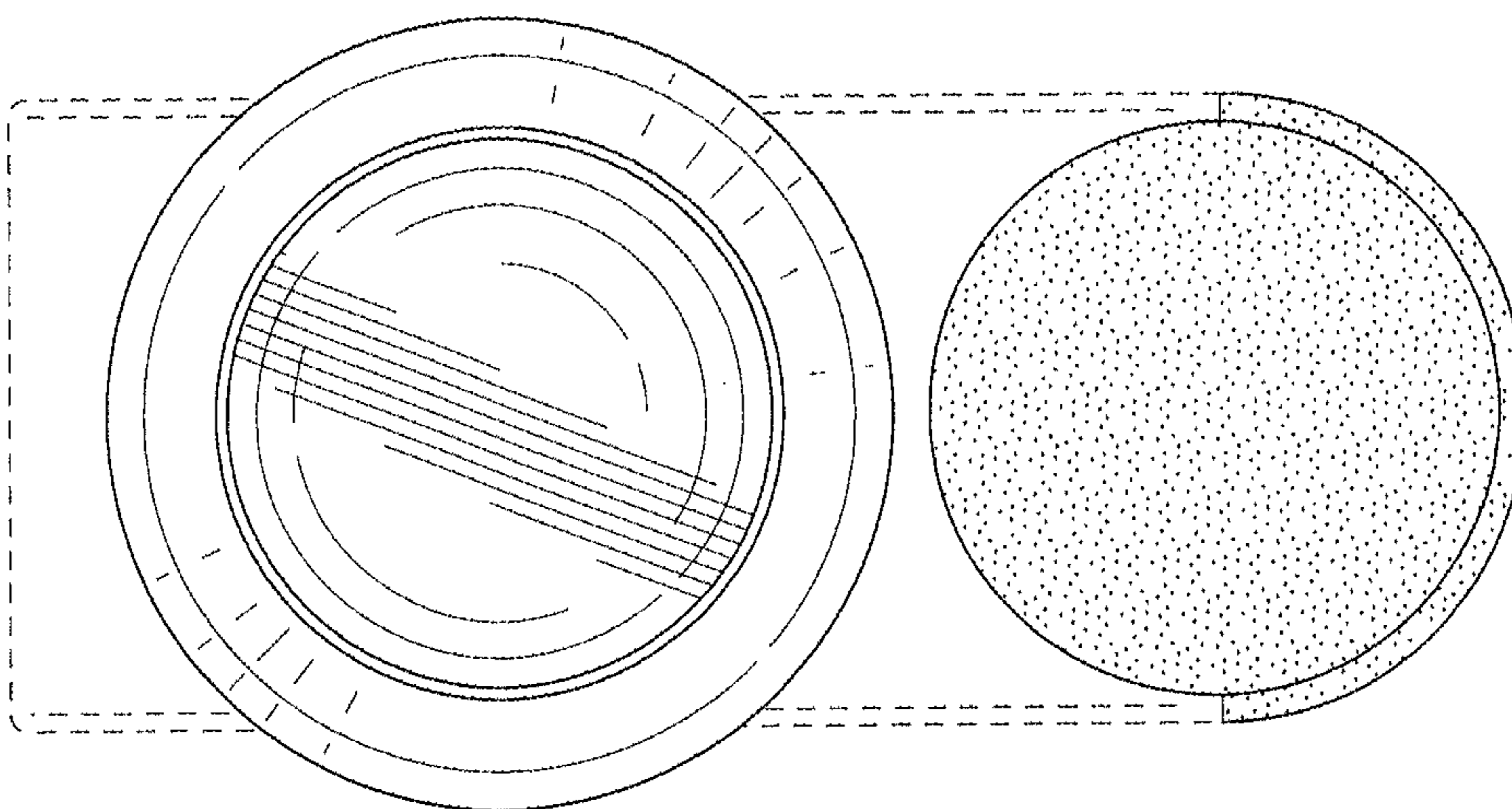


FIG. 14

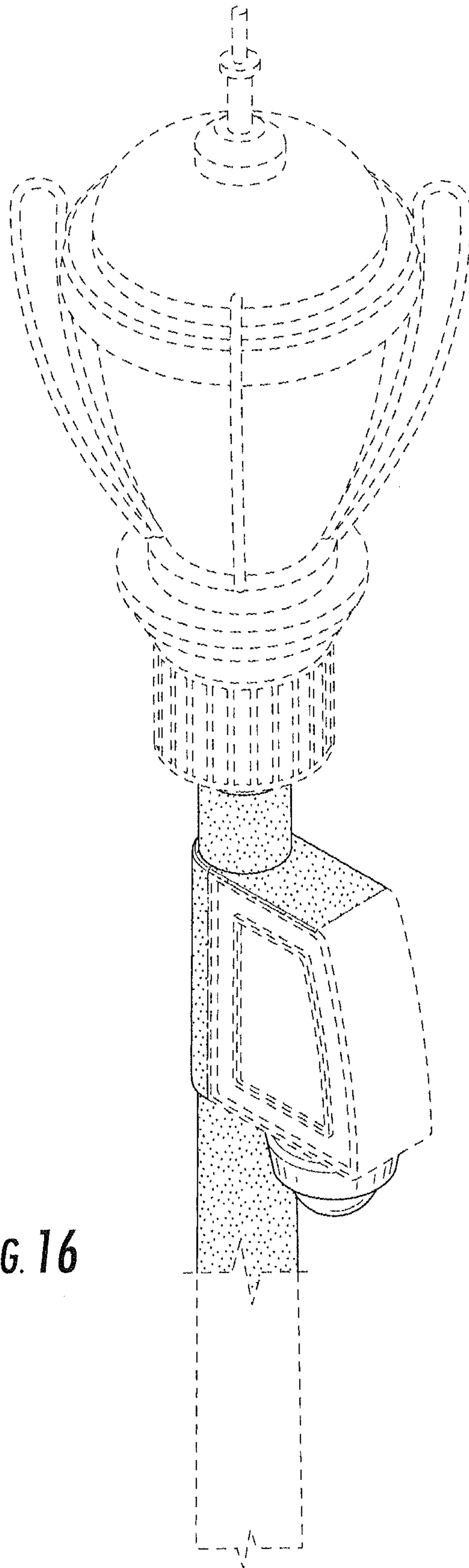


FIG. 16