



US00D870188S

(12) **United States Design Patent**
Tian et al.

(10) **Patent No.:** **US D870,188 S**
(45) **Date of Patent:** **** Dec. 17, 2019**

(54) **HAND-HELD CRADLE HEAD**
(71) Applicant: **HAOXIANG Electric Energy**
(KunShan) Co, Ltd, Kunshan, Jiangsu
(CN)
(72) Inventors: **Yu Tian**, Jiangsu (CN); **Wenyan Jiang**,
Jiangsu (CN)
(73) Assignee: **HAOXIANG Electric Energy**
(KunShan) Co, Ltd, Kunshan, Jiangsu
(CN)

(**) Term: **15 Years**

(21) Appl. No.: **29/603,448**

(22) Filed: **May 10, 2017**

(51) **LOC (12) Cl.** **16-05**

(52) **U.S. Cl.**
USPC **D16/242**

(58) **Field of Classification Search**
USPC D16/219, 237-250; D12/101, 114, 129;
D14/224, 229, 238, 251, 253, 447, 451,
D14/457; D8/354, 355, 363, 373, 382,
D8/383, 394, 395, 396, 397, 398;
D34/12, 17, 18, 24, 26
CPC .. A45F 5/00; A45F 5/10; F16M 11/06; F16M
11/07; F16M 11/08; F16M 11/09; F16M
11/10; G02B 7/00-002; G03B 17/56;
G03B 17/561; G03B 17/563; G03B
17/565; G03B 17/566; G03B 17/568;
H04N 5/2253-2254
See application file for complete search history.

(56) **References Cited**

U.S. PATENT DOCUMENTS

6,697,118 B2 * 2/2004 Zadok F16M 13/04
348/375
7,563,038 B2 * 7/2009 Hershenzon F16M 13/04
396/419

7,845,602 B1 * 12/2010 Young F16B 7/1409
248/125.8
7,976,227 B2 * 7/2011 Orf F16M 11/041
348/376
D677,709 S * 3/2013 Skeoch D16/242
8,714,744 B2 * 5/2014 Greaves F16M 11/123
348/373
D730,973 S * 6/2015 Orton D16/243
(Continued)

OTHER PUBLICATIONS

Steadicam Volt iPhone and Android Stabilizer Tiffen. [online]
Published Dec. 23, 2016. Retrieved from URL: <https://tiffen.com/steadicamvolt/>.*

(Continued)

Primary Examiner — Vy N Koenig

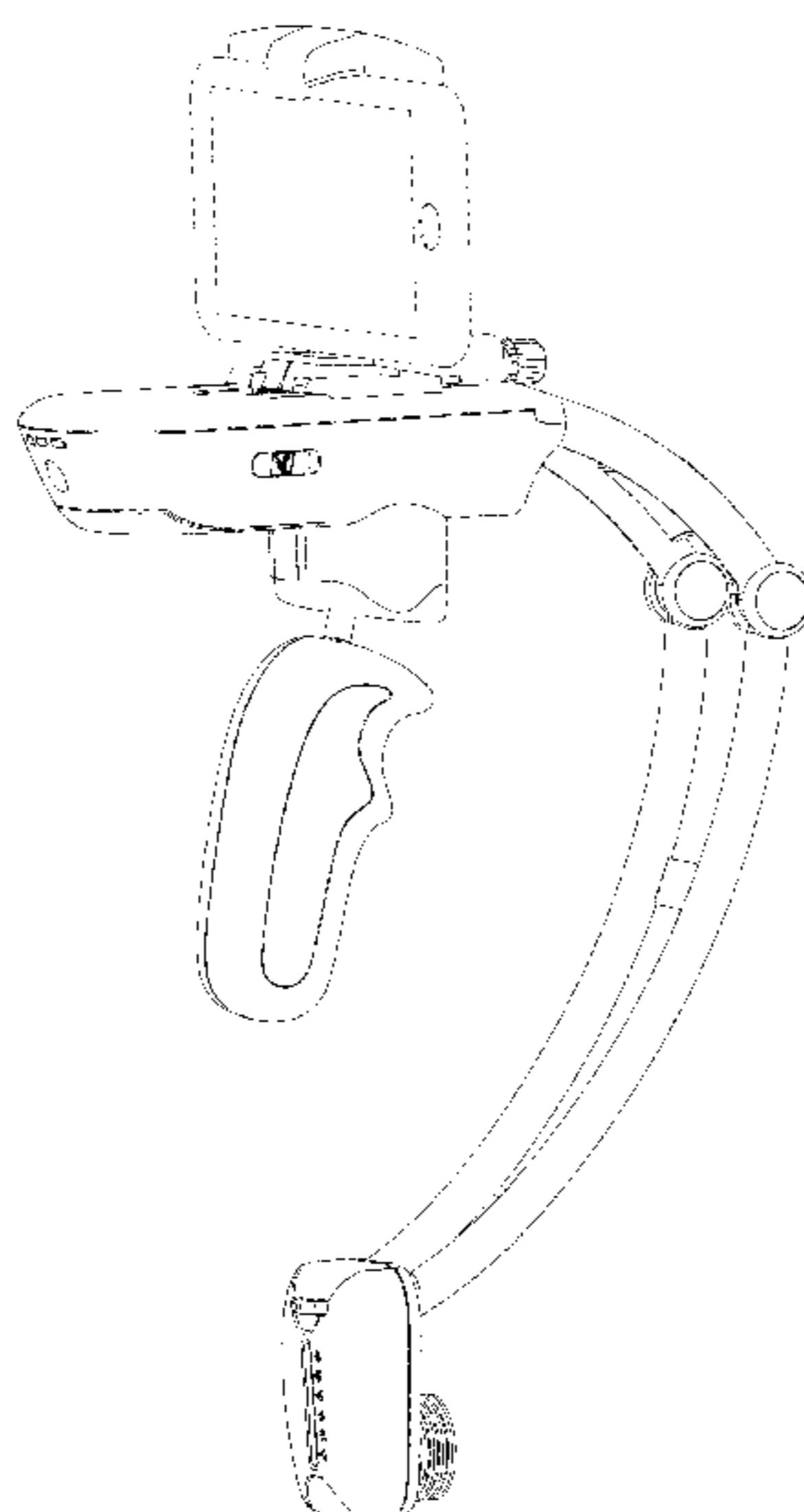
(57) **CLAIM**

The ornamental design for a hand-held cradle head, as shown and described.

DESCRIPTION

FIG. 1 is a perspective view of a hand-held cradle head, showing our new design.
FIG. 2 is a front view thereof.
FIG. 3 is a rear view thereof.
FIG. 4 is a left view thereof.
FIG. 5 is a right view thereof.
FIG. 6 is a top view thereof.
FIG. 7 is a bottom view thereof; and,
FIG. 8 is a perspective view of the hand-held cradle head when holding a smart phone.
The dotted lines in FIGS. 3 and 6 depict portions of the hand-held cradle head in which the design is embodied that form no part of the claimed design. The evenly dashed lines in FIG. 8 depict environmental subject matter, specifically a smart phone, and form no part of the claimed design. All other broken lines depict shade lines and contours of the hand-held cradle head.

1 Claim, 6 Drawing Sheets



(56)

References Cited

U.S. PATENT DOCUMENTS

9,106,816 B1 * 8/2015 Hotter H04N 5/2252
9,686,601 B1 * 6/2017 Jia G03B 17/563
9,804,479 B2 * 10/2017 Hoffmann G03B 17/561
2004/0233389 A1 * 11/2004 Bruggaier F16M 13/04
352/243
2006/0262274 A1 * 11/2006 Brown F16M 13/04
352/243
2010/0238345 A1 * 9/2010 Greb F16M 11/125
348/373
2012/0106941 A1 * 5/2012 Greaves F16M 11/046
396/421
2018/0188637 A1 * 7/2018 Tian G03B 17/561

OTHER PUBLICATIONS

Orsda Camera Stabilizer Gimbal Handheld. [online] Published Nov. 1, 2017. Retrieved Oct. 25, 2018 from URL: https://www.amazon.com/Orsda-Stabilizer-Handheld-Support-Camcorder/dp/B071P8DFBV/ref=sr_1_1?s=electronics&ie=UTF8&qid=1540480545&sr=1-1&keywords=Orsda+Camera+Stabilizer+Gimbal+Handheld+Steady+Video+DSLR+Stabilizer+Han.*

Movo Handheld Video Stabilizer System for GoPro Hero. [online] Published Aug. 1, 2016. Retrieved Oct. 25, 2018 from URL: https://www.amazon.com/dp/B01J6IRC3Y/ref=sspa_dk_detail_2?psc=1&pd_rd_i=B01J6IRC3Y&pf_rd_m=ATVPDKIKX0DER&pf_rd_p=f52e26da-1287-4616-824b-efc564ff75a4&pf_rd_r=V178XE9SJPHE0BPYFJJ&pd_rd_wg=6oq9C&pf_rd_s=desk.*

* cited by examiner

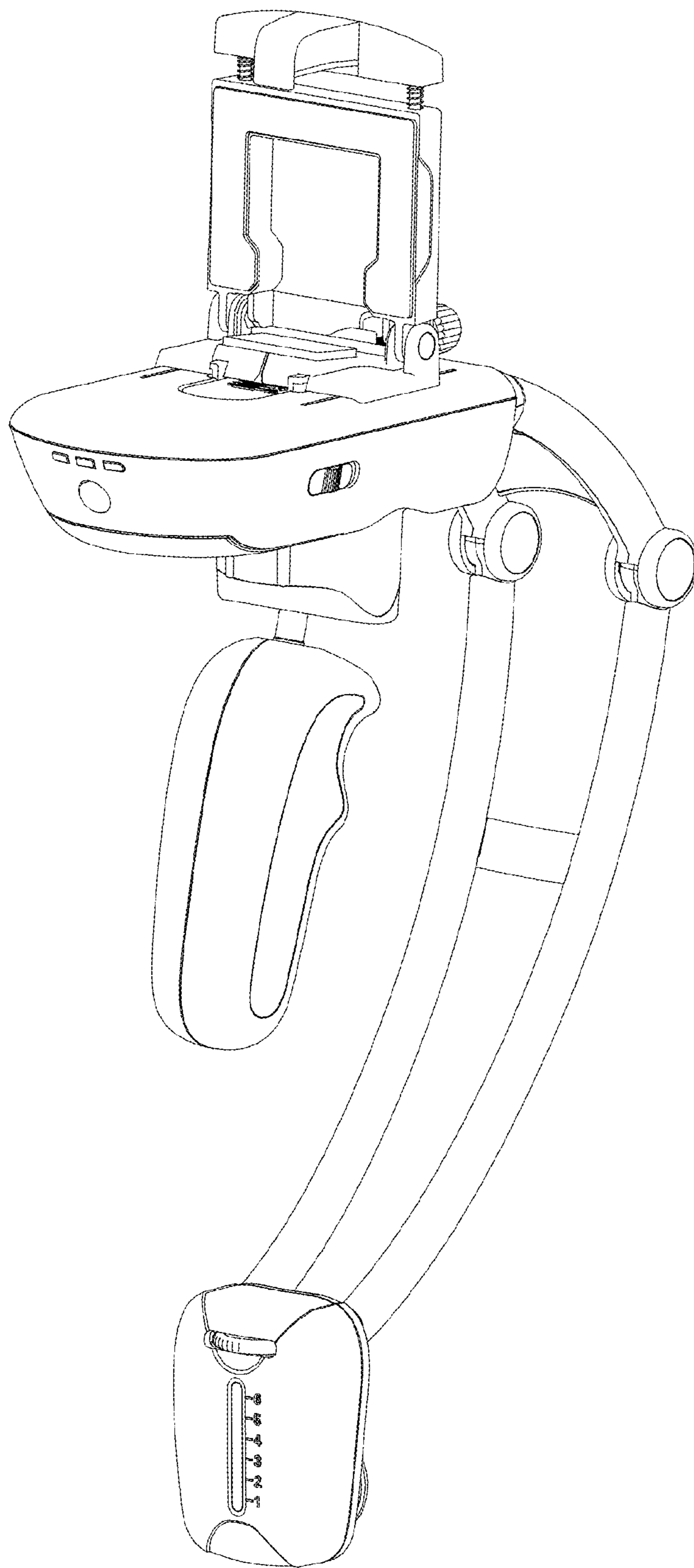


Fig. 1

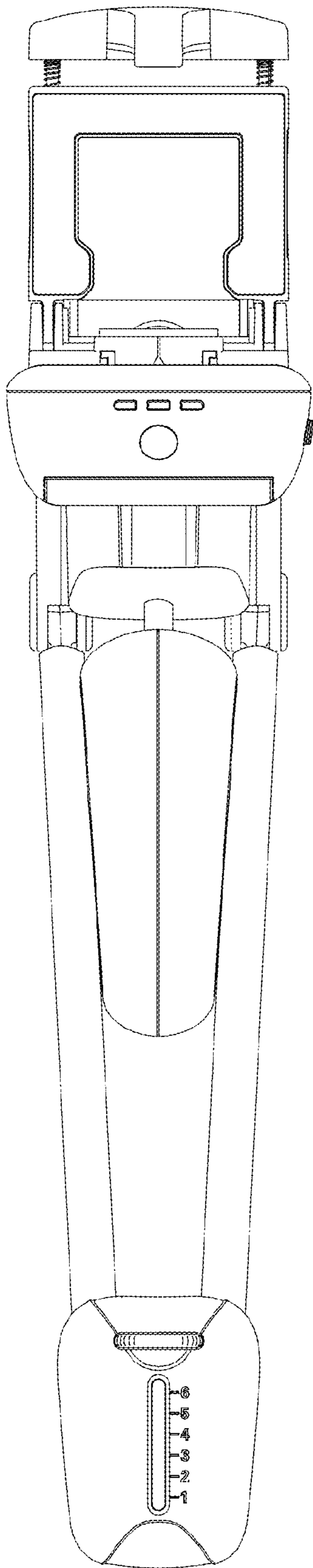


Fig. 2

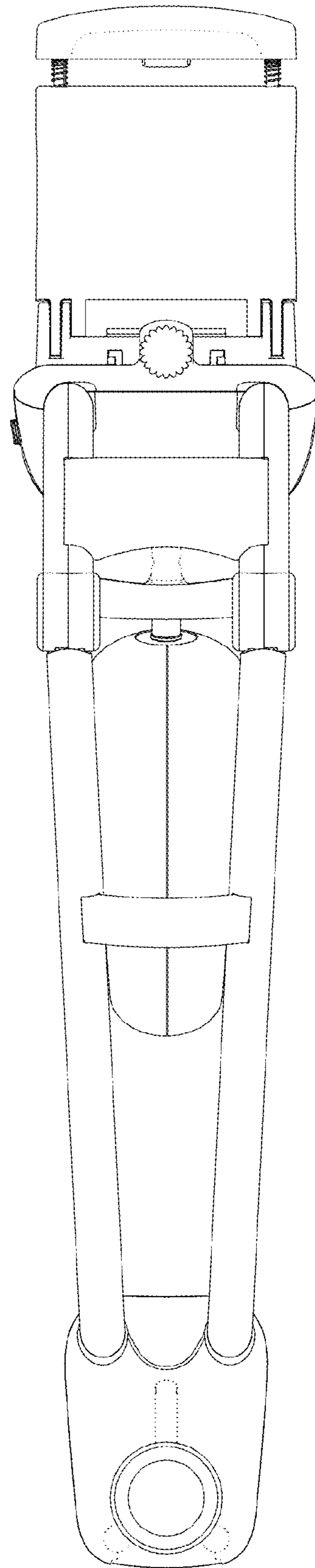


Fig. 3

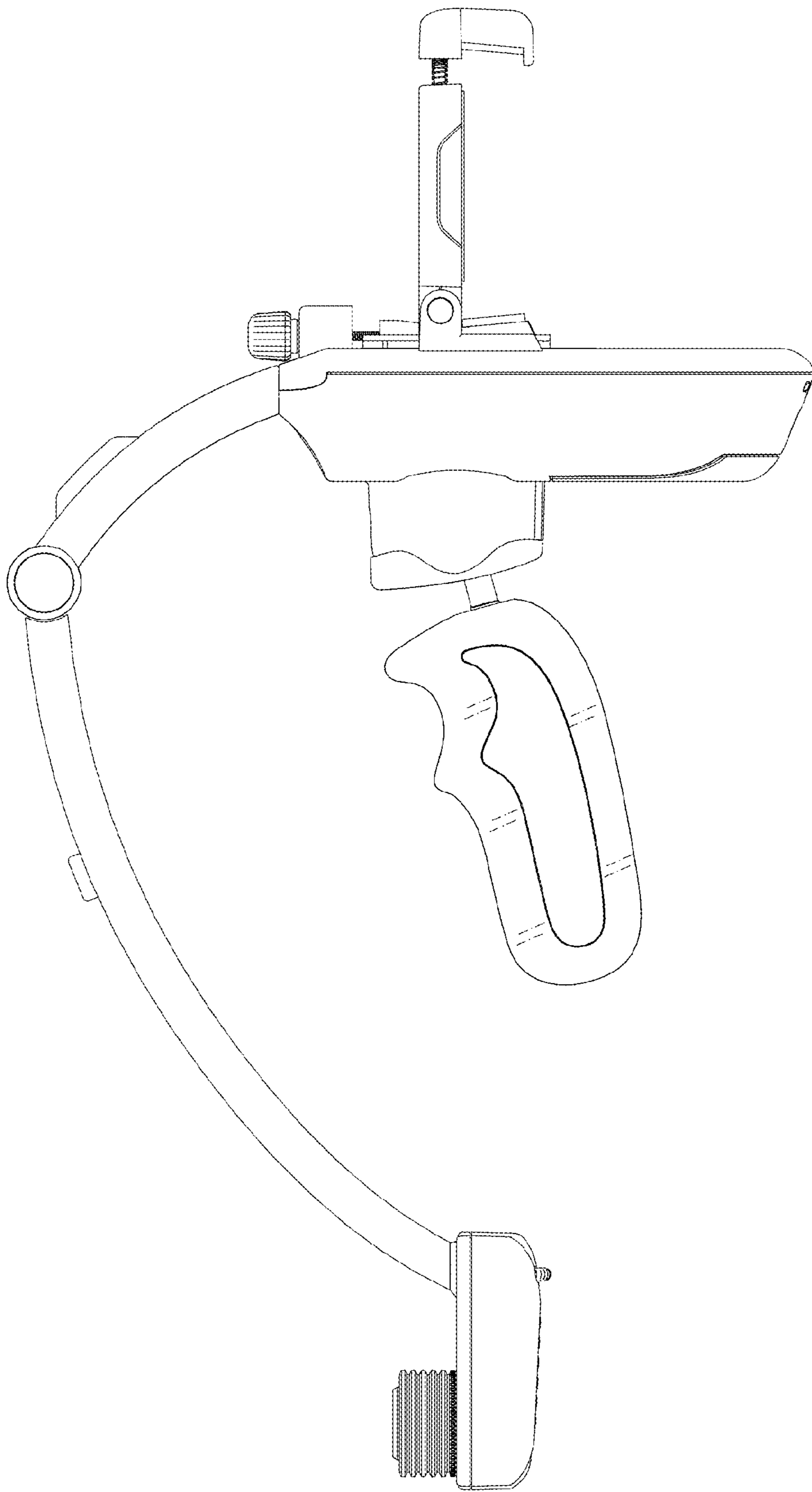


Fig. 4

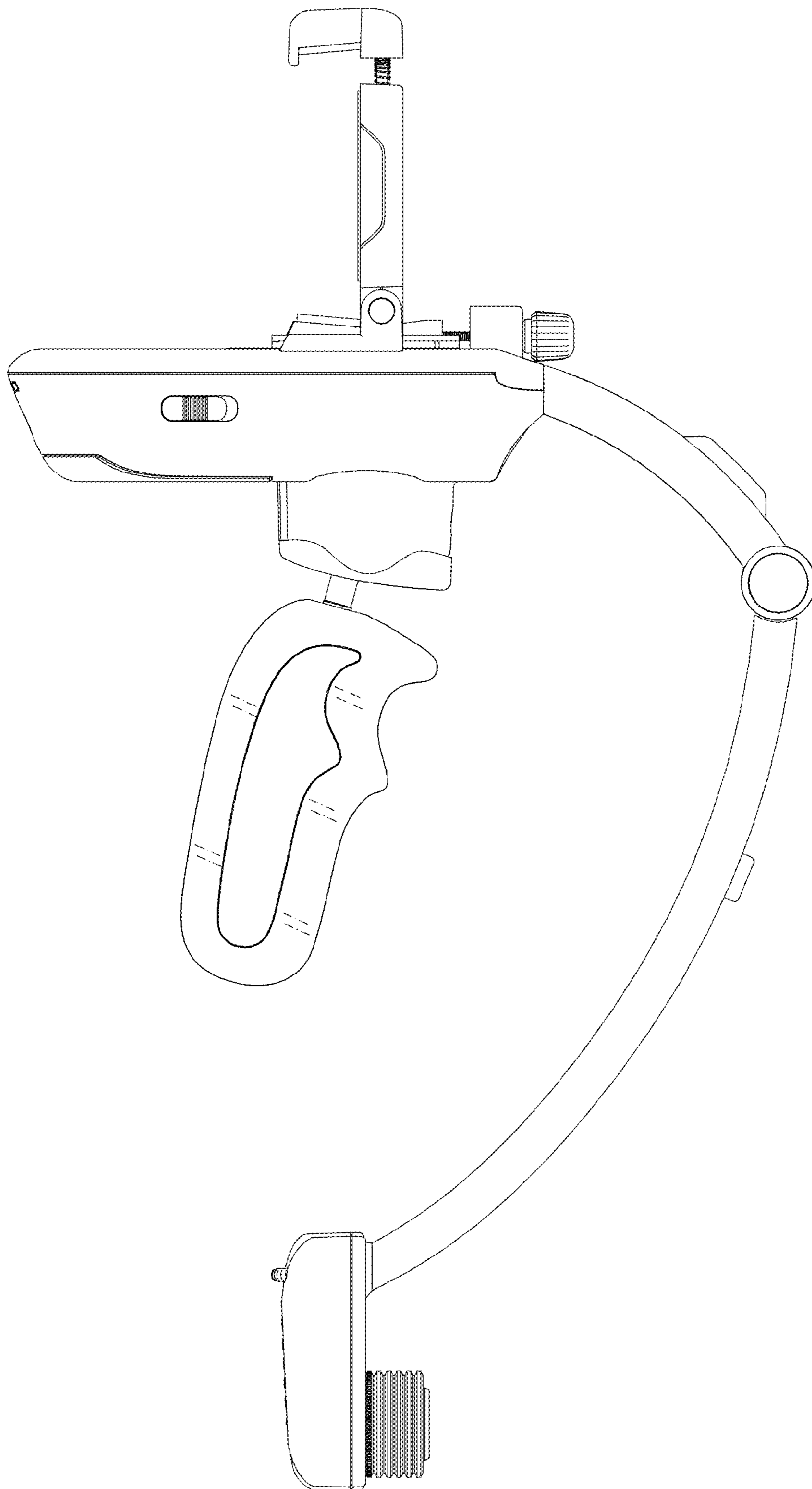


Fig. 5

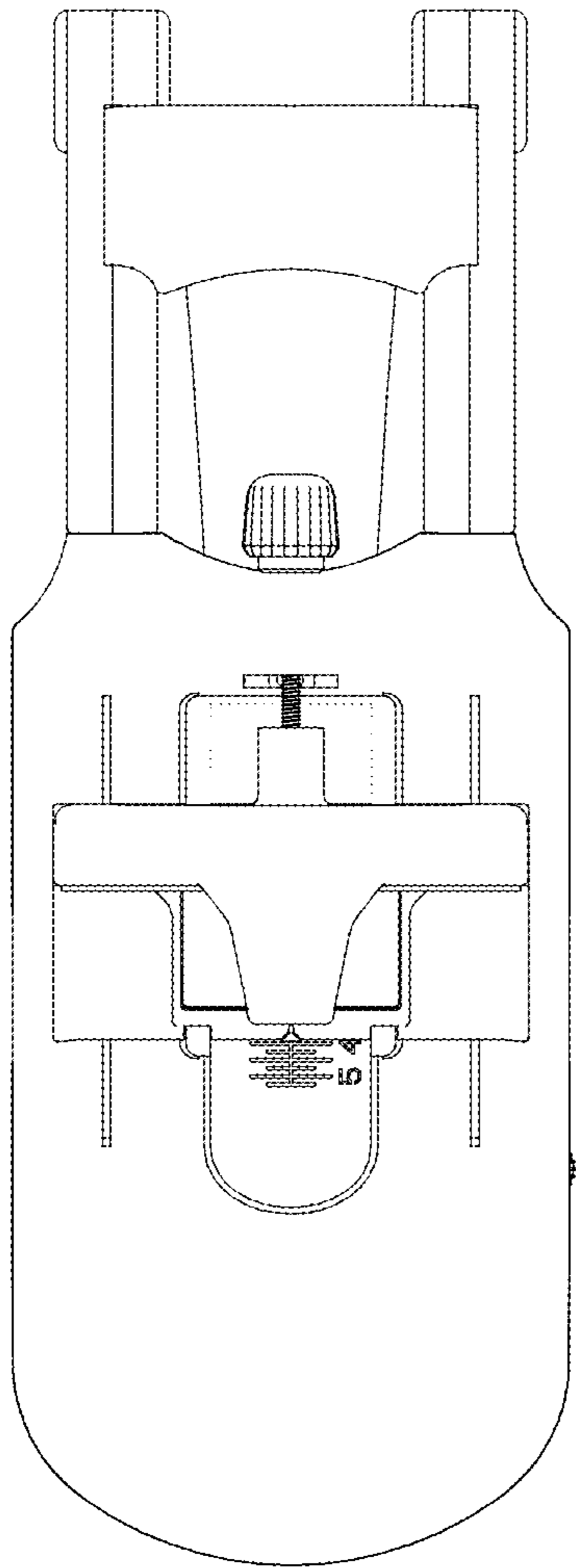


Fig. 6

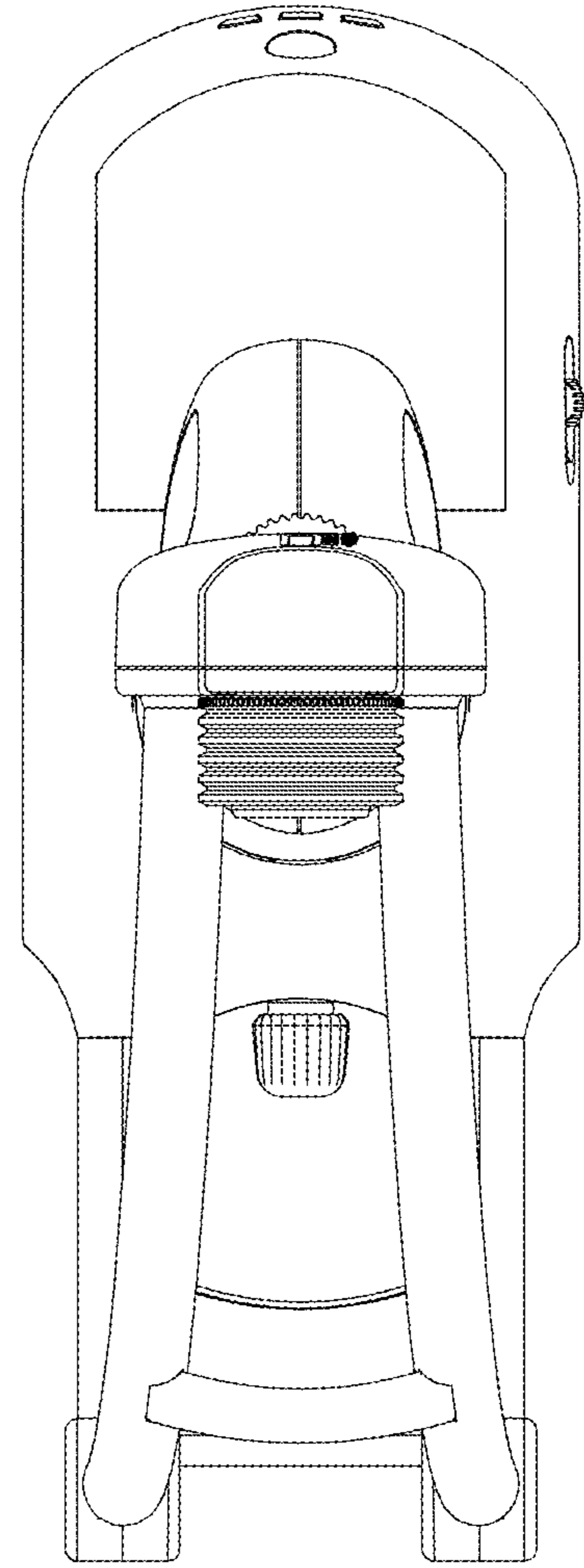


Fig. 7

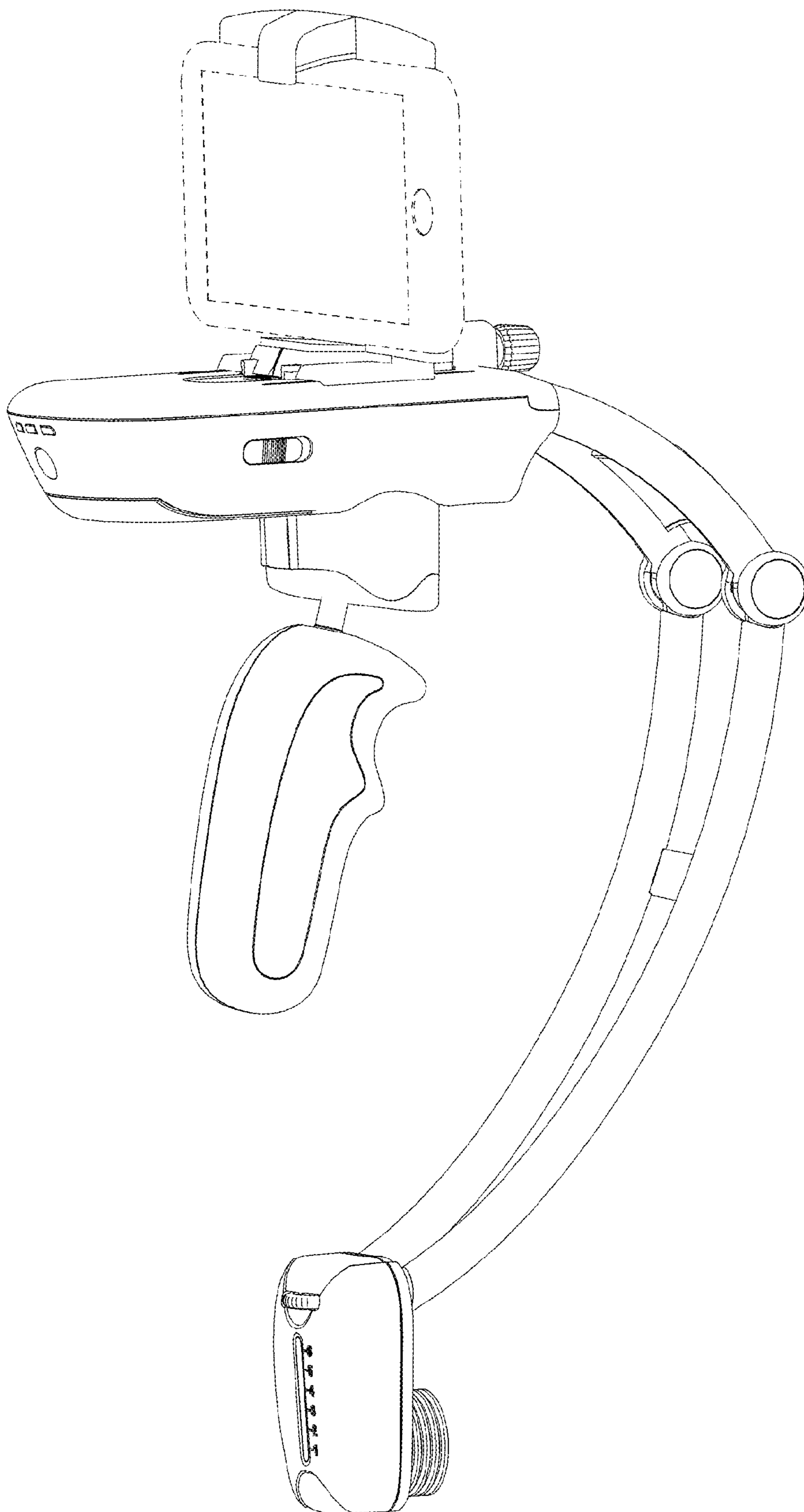


Fig. 8