



US00D870187S

(12) **United States Design Patent** (10) **Patent No.:** **US D870,187 S**
Joulani et al. (45) **Date of Patent:** **** Dec. 17, 2019**

(54) **PENDANT ADAPTER**
(71) Applicant: **Avigilon Corporation**, Vancouver (CA)
(72) Inventors: **Fariborz Joulani**, Port Moody (CA);
Sergio Parise, Vancouver (CA)
(73) Assignee: **Avigilon Corporation**, Vancouver (CA)
(**) Term: **15 Years**

D612,460 S * 3/2010 Yang D23/257
D619,223 S * 7/2010 Sofield D23/255
D651,068 S * 12/2011 Kang D8/363
D687,520 S * 8/2013 Lord D23/255
D709,862 S * 7/2014 Metzger D14/217
D710,975 S * 8/2014 Huang D23/255
D710,976 S * 8/2014 Huang D23/255
D716,362 S * 10/2014 Generotti D16/237
D736,069 S * 8/2015 Gilbert D8/363
D750,756 S * 3/2016 Flowers D23/255

(Continued)

(21) Appl. No.: **29/571,912**
(22) Filed: **Jul. 22, 2016**
(51) **LOC (12) Cl.** **16-05**
(52) **U.S. Cl.**
USPC **D16/242**; D16/237
(58) **Field of Classification Search**
USPC D6/522-524; D8/363; D14/217;
D16/200, 203, 237, 239; D23/238, 255,
D23/257; D26/87-93, 145
CPC G03B 17/14; G03B 17/56; G03B
17/561-568; G03B 15/041-0436; G02B
7/00-002; G02B 7/02-04; F16M 11/02;
F16M 11/04; F16M 11/20; F16M 11/40
See application file for complete search history.

OTHER PUBLICATIONS

Avigilon | Products | Video Surveillance | Cameras | H4 Pan-Tilt Zoom Cameras, posted on Oct. 21, 2016, © 2018 Avigilon [online], [site visited Mar. 15, 2018]. Available from Internet, <URL: <http://avigilon.com/products/video-surveillance/cameras/h4-ptz/>>.*

(Continued)

Primary Examiner — Philip S Hyder
Assistant Examiner — Cary M Robinson
(74) *Attorney, Agent, or Firm* — Daniel Hammond

(57) **CLAIM**

We claim the ornamental design for a pendant adapter, as shown and described.

DESCRIPTION

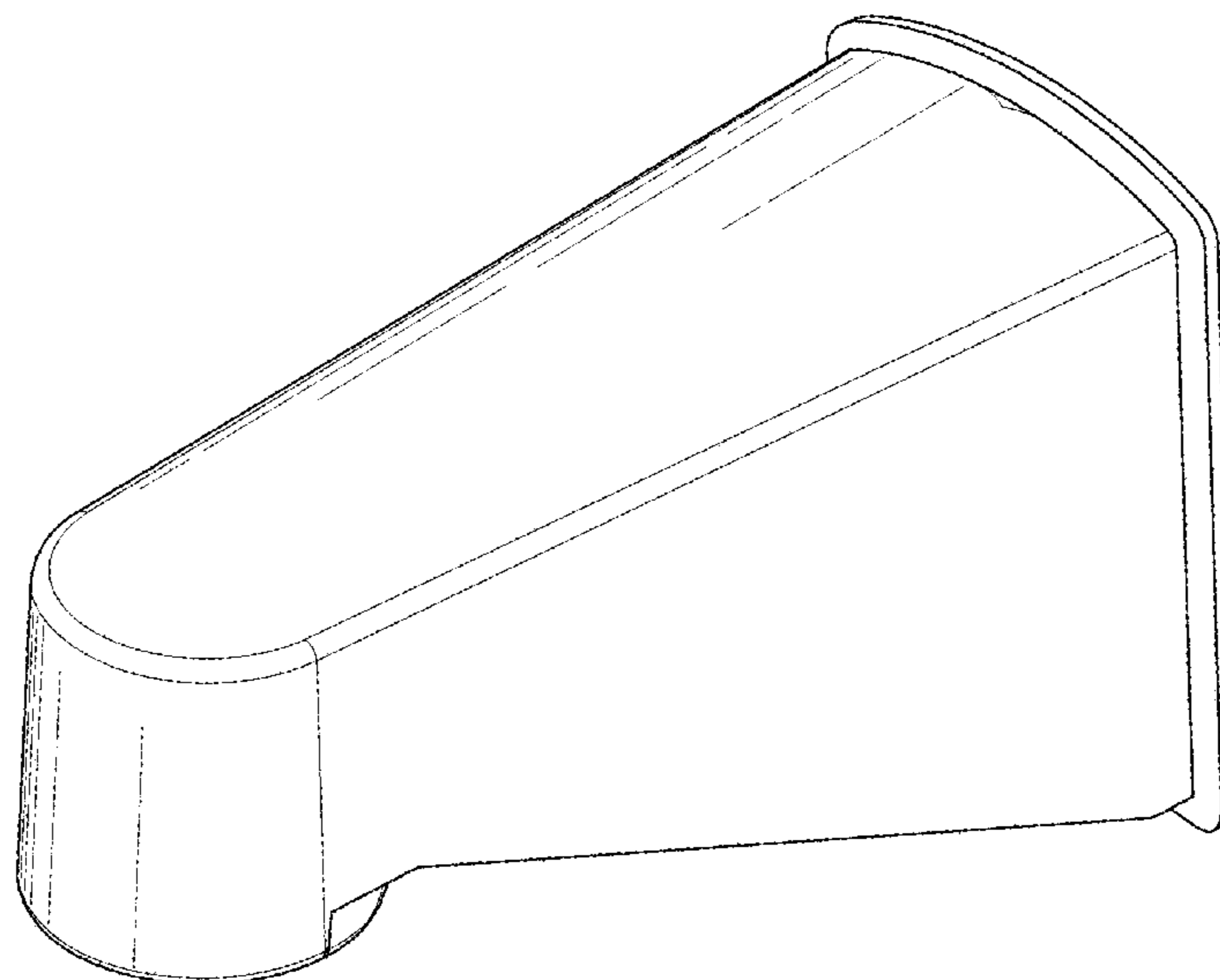
FIG. 1 is a perspective view of the design taken from above and showing the left side thereof;
FIG. 2 is a front view of the design;
FIG. 3 is a back view of the design;
FIG. 4 is a left side view of the design;
FIG. 5 is a right side view of the design;
FIG. 6 is a top view of the design; and,
FIG. 7 is a bottom view of the design.
The broken lines in the drawings illustrate portions of the pendant adapter in which the design is embodied, which form no part of the claimed design.

1 Claim, 4 Drawing Sheets

(56) **References Cited**

U.S. PATENT DOCUMENTS

D150,771 S * 8/1948 Iskyan D6/546
2,542,941 A * 2/1951 Post A47K 10/10
211/123
D163,444 S * 5/1951 Crook D6/550
D190,451 S * 5/1961 Conner et al. D16/239
D191,781 S * 11/1961 Latham D6/550
D196,040 S * 8/1963 Morgan D8/363
D237,650 S * 11/1975 Ullmann D16/239
D353,877 S * 12/1994 Rogers D23/255
D466,734 S * 12/2002 Moore D6/523
D546,424 S * 7/2007 Kohler, Jr. D23/255
D573,695 S * 7/2008 Rexach D23/255
D594,739 S * 6/2009 Lee D8/363



(56)

References Cited

U.S. PATENT DOCUMENTS

D773,204 S * 12/2016 Sedwick D6/524
D791,286 S * 7/2017 Downey D23/257
D811,641 S * 2/2018 Sekowski D26/71
D837,279 S * 1/2019 Penn D16/237

OTHER PUBLICATIONS

BroadbandBuyer | Mounting solutions for Hikvision network IP cameras, posted on Sep. 21, 2015, © 2018 Essanet Ltd. [online], [site visited Mar. 15, 2018]. Available from Internet, <URL: <https://www.broadbandbuyer.com/features/3023-mounting-solutions-for-hikvision-network-ip-cameras/>>.*

CCTV Camera Pros | Mounts & Brackets | Outdoor Dome Security Camera Wall Mount Bracket, CCTV, IP, HD Cameras, posted on Oct. 19, 2017, © 2018 CCTV Camera Pros, LLC. [online], [site visited Mar. 15, 2018]. Available from Internet, <URL: <https://www.cctvcamerapros.com/Dome-Security-Camera-Bracket-p/cm-700.htm/>>.*

“Surveyor™ Camera Dome Accessories”; Data/Spec Sheet; Nov. 2011; 6 pages.

U.S. Appl. No. 29/571,916, entitled Dome Camera, filed Jul. 22, 2016, Inventor: Little.

U.S. Appl. No. 29/571,917, entitled Dome Camera, filed Jul. 22, 2016, Inventor: Wu.

U.S. Appl. No. 29/571,923, entitled Dome Camera With Pendent Adapter, filed Jul. 22, 2016, Inventor: Holbrook.

* cited by examiner

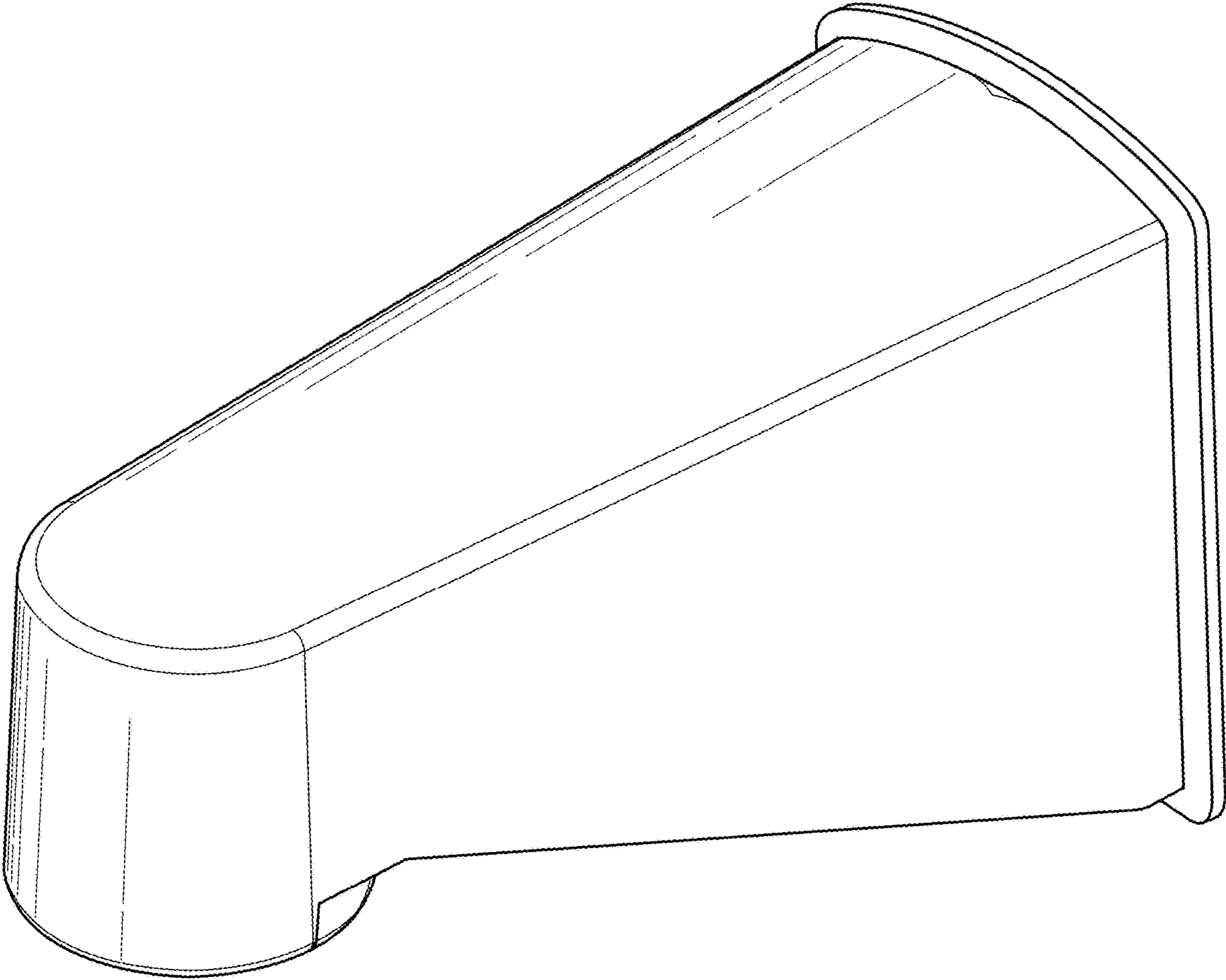


Fig. 1

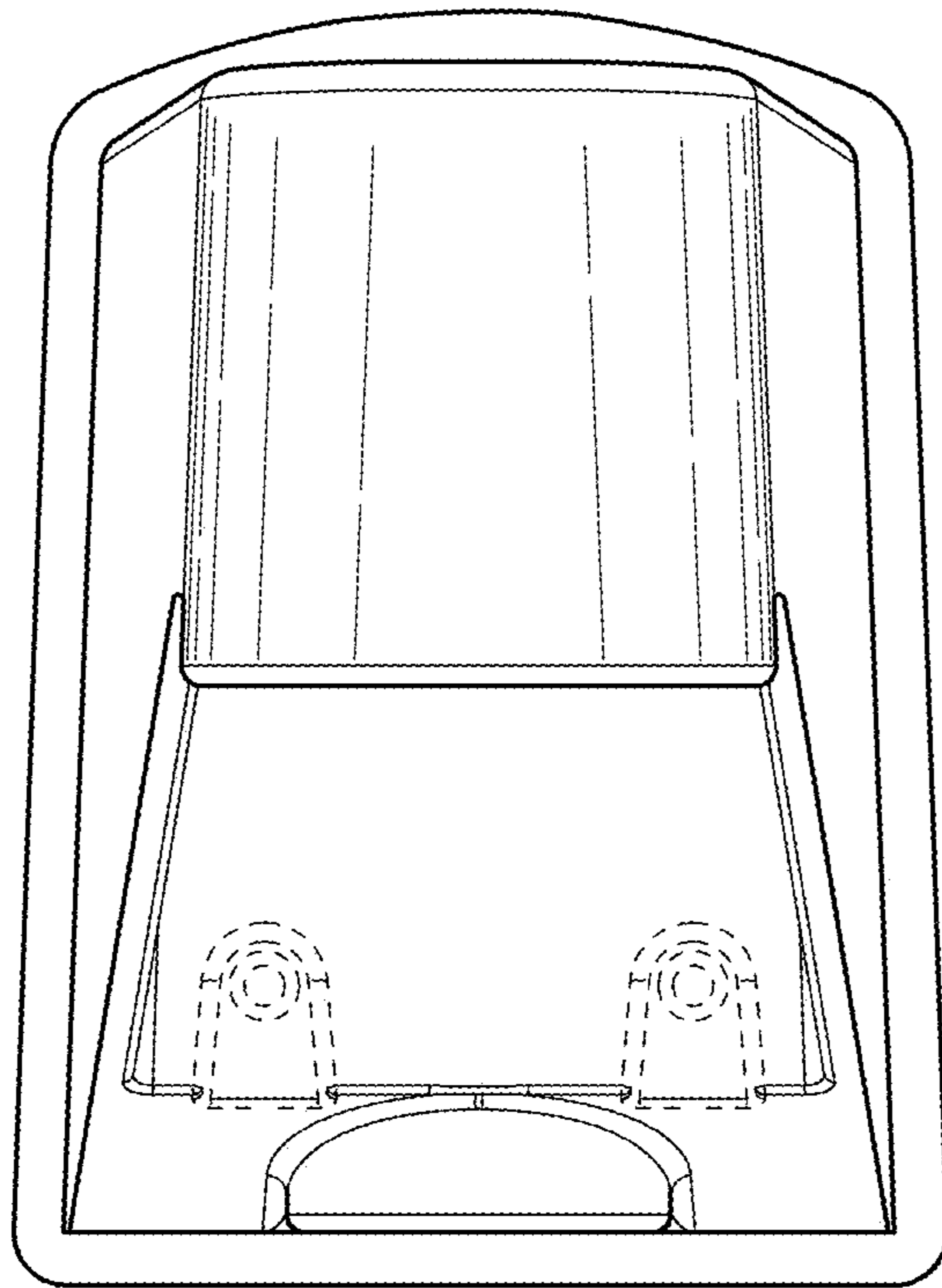


Fig. 2

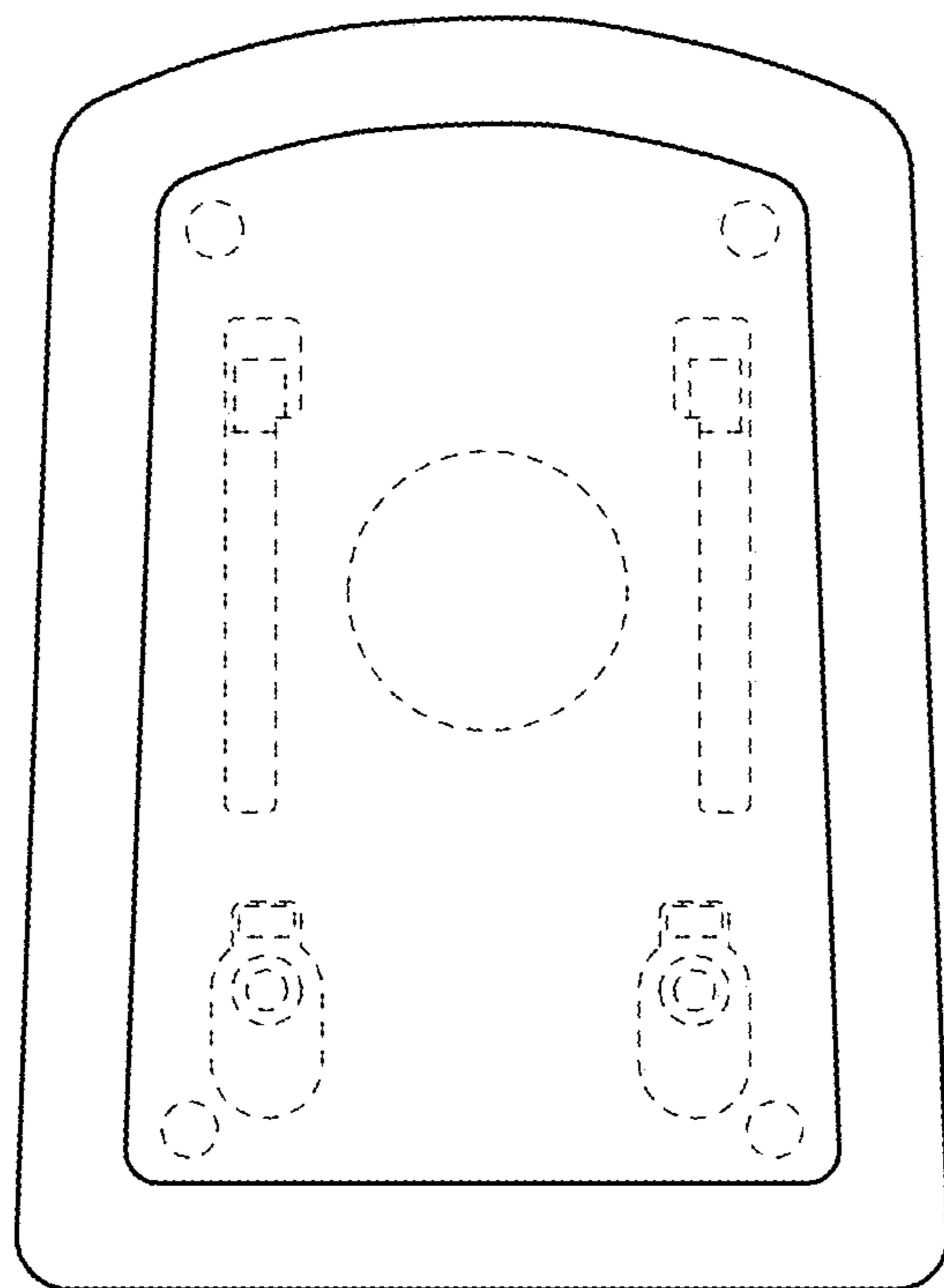


Fig. 3

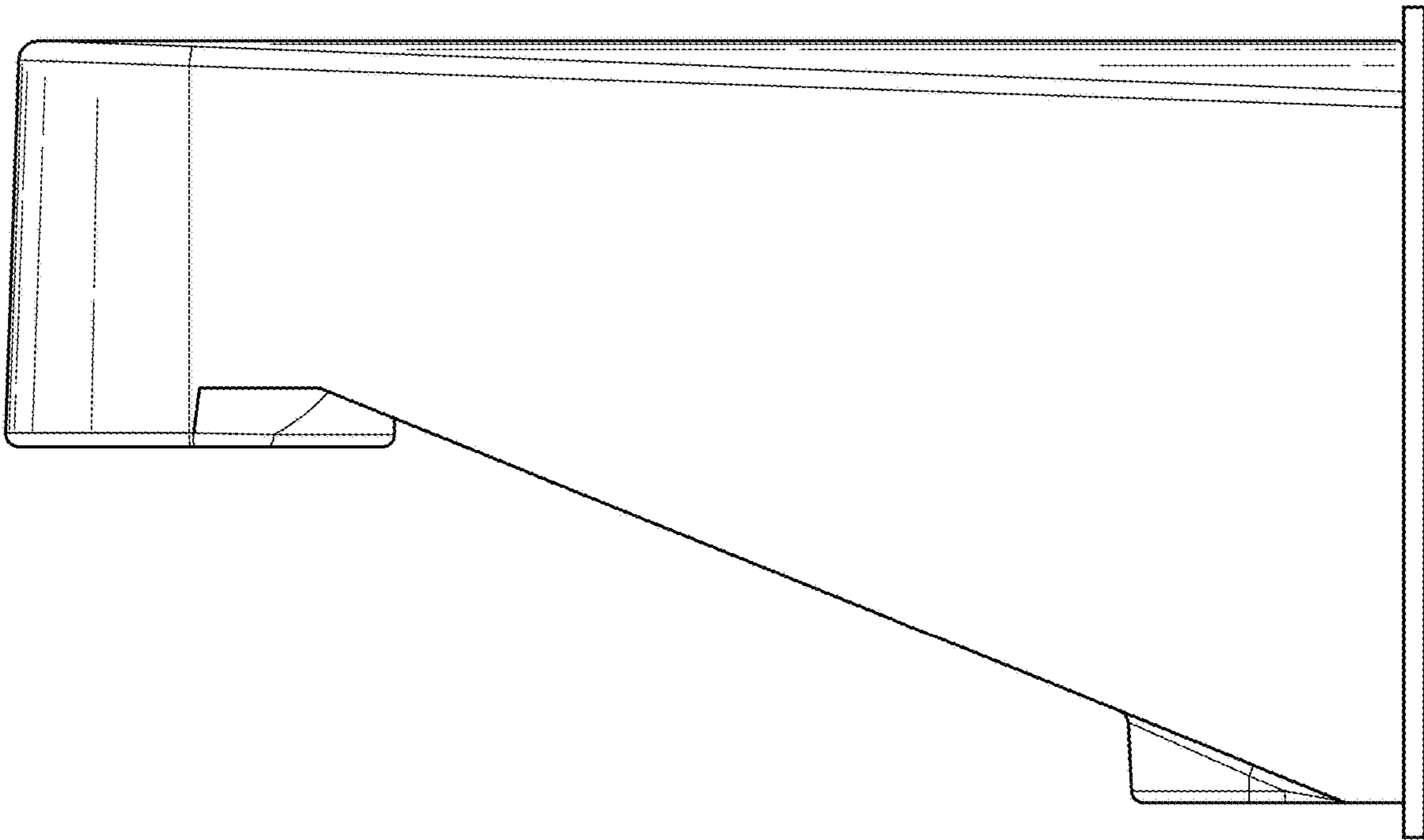


Fig. 4

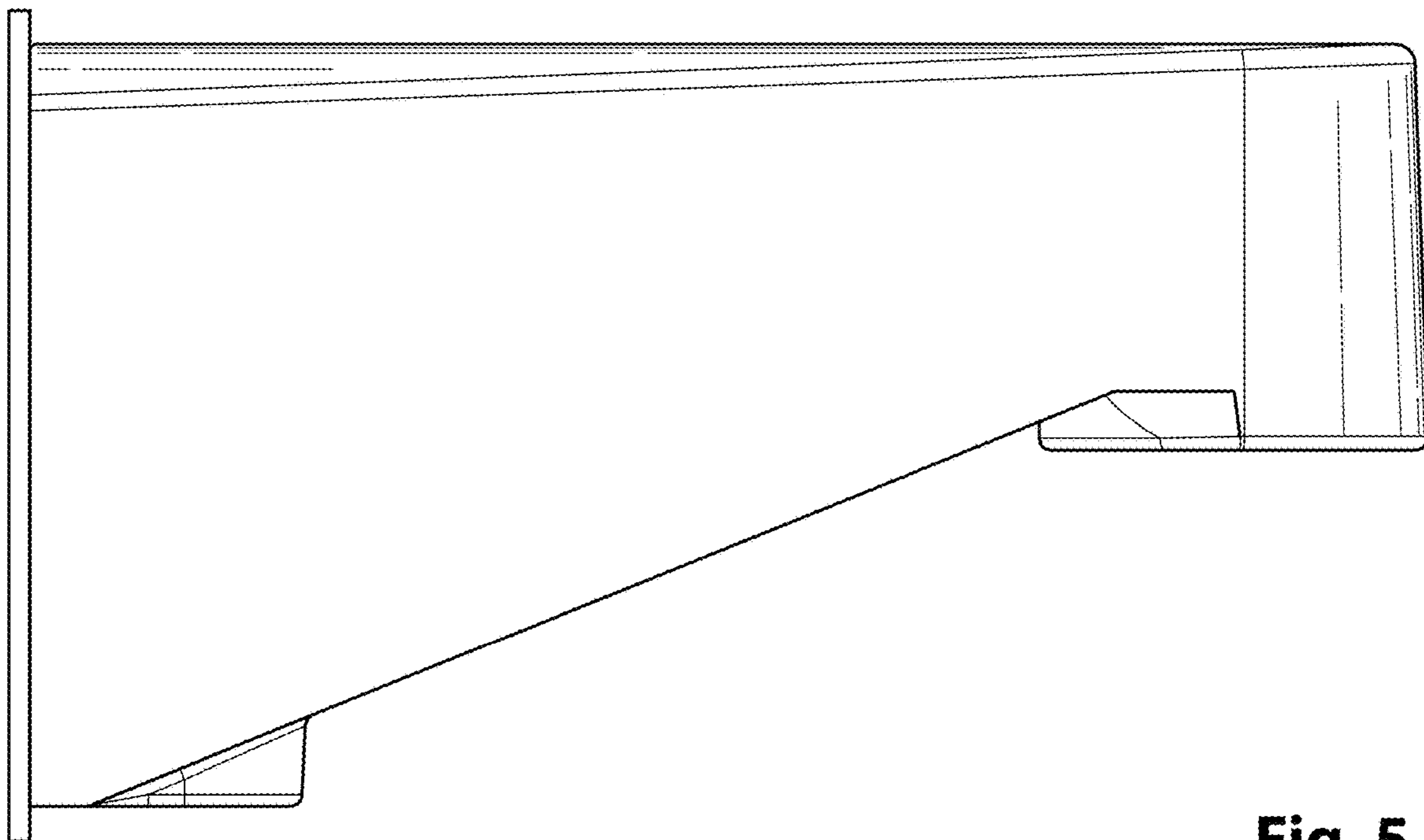


Fig. 5

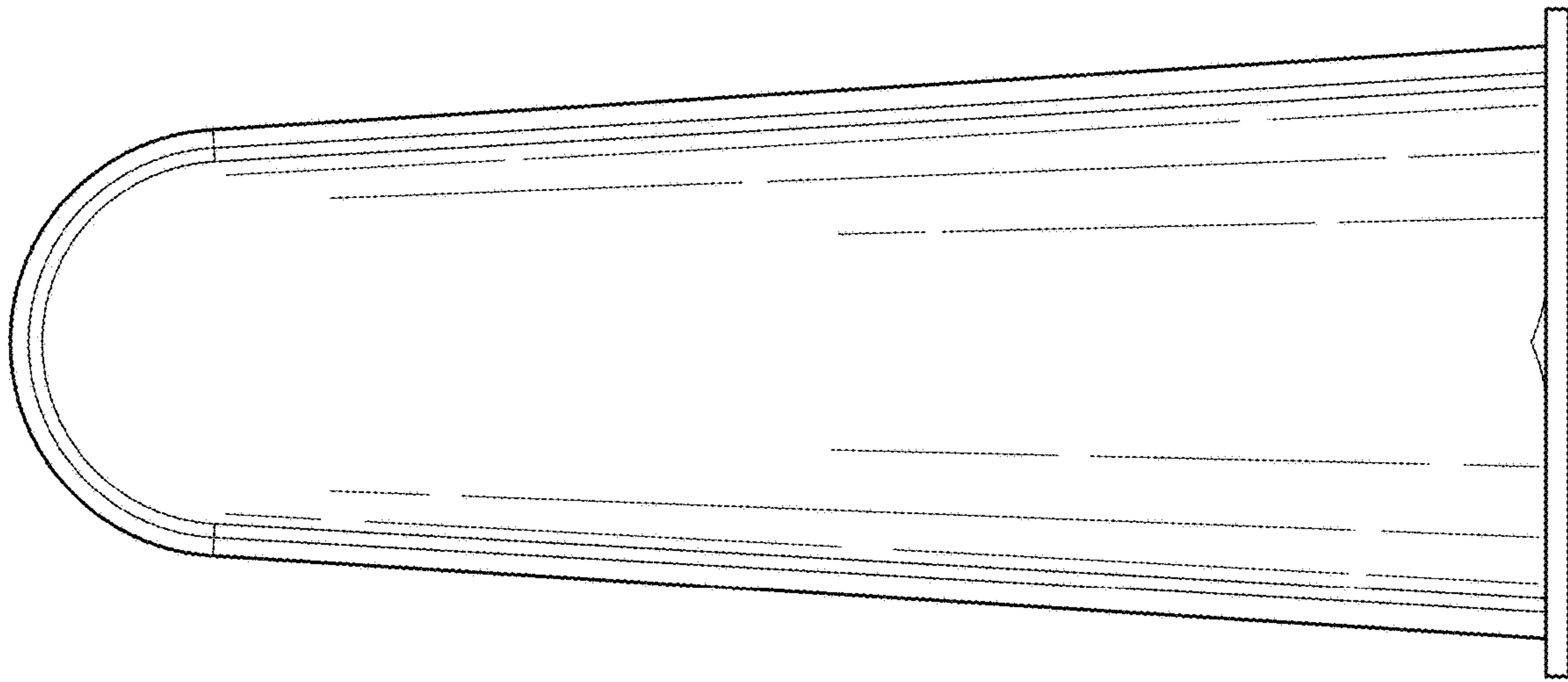


Fig. 6

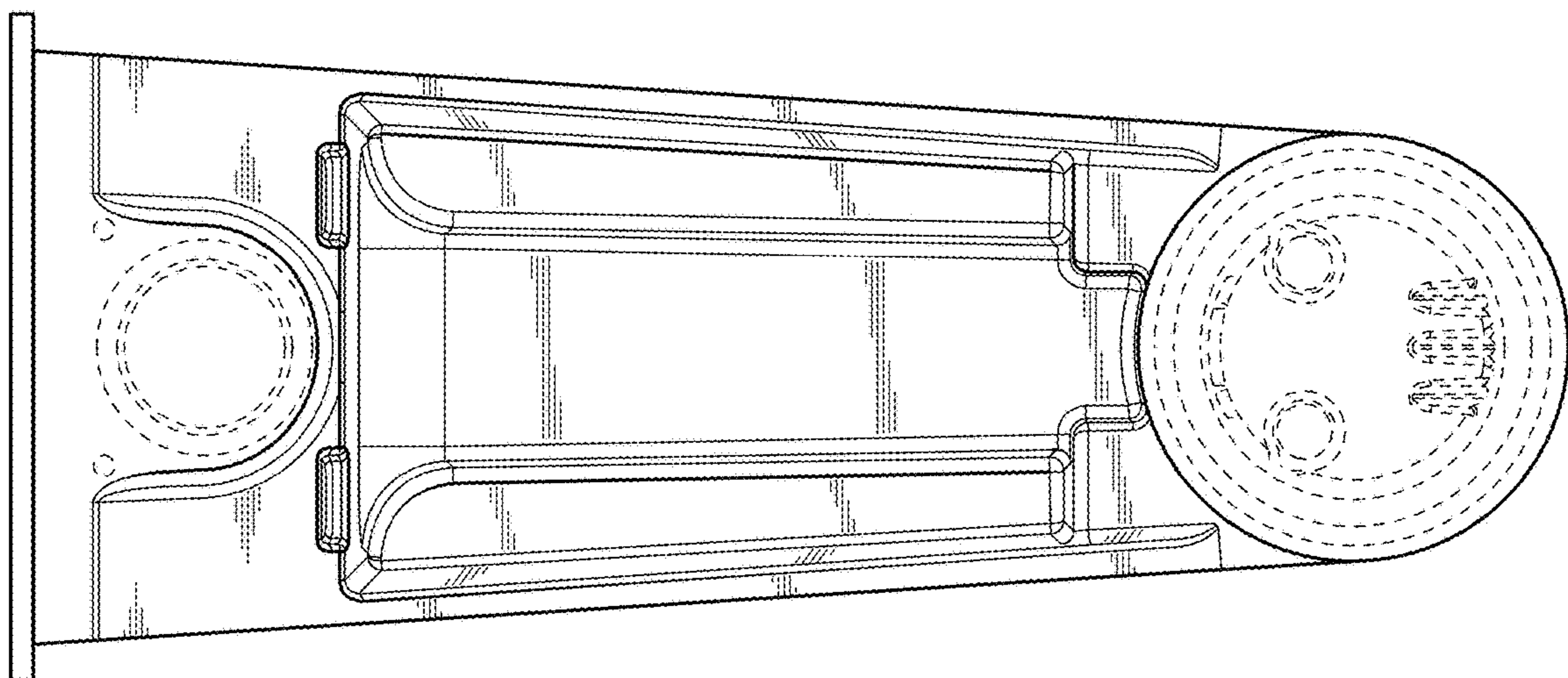


Fig. 7