



US00D870185S

(12) **United States Design Patent**
Nagaoka et al.

(10) **Patent No.:** **US D870,185 S**

(45) **Date of Patent:** **** Dec. 17, 2019**

(54) **DIGITAL CAMERA**

(71) Applicant: **Nikon Corporation**, Tokyo (JP)

(72) Inventors: **Koji Nagaoka**, Tokyo (JP); **Osamu Katsuda**, Tokyo (JP)

(73) Assignee: **Nikon Corporation**, Tokyo (JP)

(**) Term: **15 Years**

(21) Appl. No.: **29/642,048**

(22) Filed: **Mar. 27, 2018**

(30) **Foreign Application Priority Data**

Sep. 28, 2017 (JP) 2017-021281

(51) **LOC (12) Cl.** **16-05**

(52) **U.S. Cl.**
USPC **D16/219**

(58) **Field of Classification Search**

USPC D16/134, 136, 200, 202-206, 208, 218,
D16/219; 348/373-376; 359/826-828;
396/529-532, 535, 539-541

CPC G03B 17/02; G03B 19/04; G03B 17/56;
G03B 17/04; G03B 15/03; G03B 17/14;
H04N 5/2251; H04N 5/2252; H04N
5/2253; H04N 5/2254; G02B 7/02; G02B
7/04; G02B 7/14

See application file for complete search history.

(56) **References Cited**

U.S. PATENT DOCUMENTS

| | | | |
|--------------|---------|------------------|---------|
| D487,105 S | 2/2004 | Takahashi | |
| D514,610 S | 2/2006 | Urushihata | |
| D523,051 S | 6/2006 | Takahashi et al. | |
| D546,362 S | 7/2007 | Tokiwa et al. | |
| D546,364 S | 7/2007 | Ito et al. | |
| D549,264 S | 8/2007 | Tokiwa | |
| D631,496 S * | 1/2011 | Tainaka | D16/202 |
| 7,988,372 B2 | 8/2011 | Lee et al. | |
| D648,363 S * | 11/2011 | Takagi | D16/134 |

(Continued)

FOREIGN PATENT DOCUMENTS

EM 000999537-0001 9/2008
JP S60-39212 B2 9/1985

(Continued)

OTHER PUBLICATIONS

Keller et al., A lot to Leica? Hands-on with the Leica SL (Typ 601). Digital Photography Review. <https://www.dpreview.com/articles/7448206943/a-lot-to-leica-hands-on-with-the-leica-sl-typ-601>, 6 pages, Oct. 20, 2015.

(Continued)

Primary Examiner — Ramzi S Almatrahi

(74) *Attorney, Agent, or Firm* — Wolf, Greenfield & Sacks, P.C.

(57) **CLAIM**

The ornamental design for a digital camera, as shown and described.

DESCRIPTION

FIG. 1 is a front, top and right side perspective view of a digital camera showing our new design;

FIG. 2 is a front, bottom and left side perspective view thereof;

FIG. 3 is a front view thereof;

FIG. 4 is a top plan view thereof;

FIG. 5 is a bottom plan view thereof;

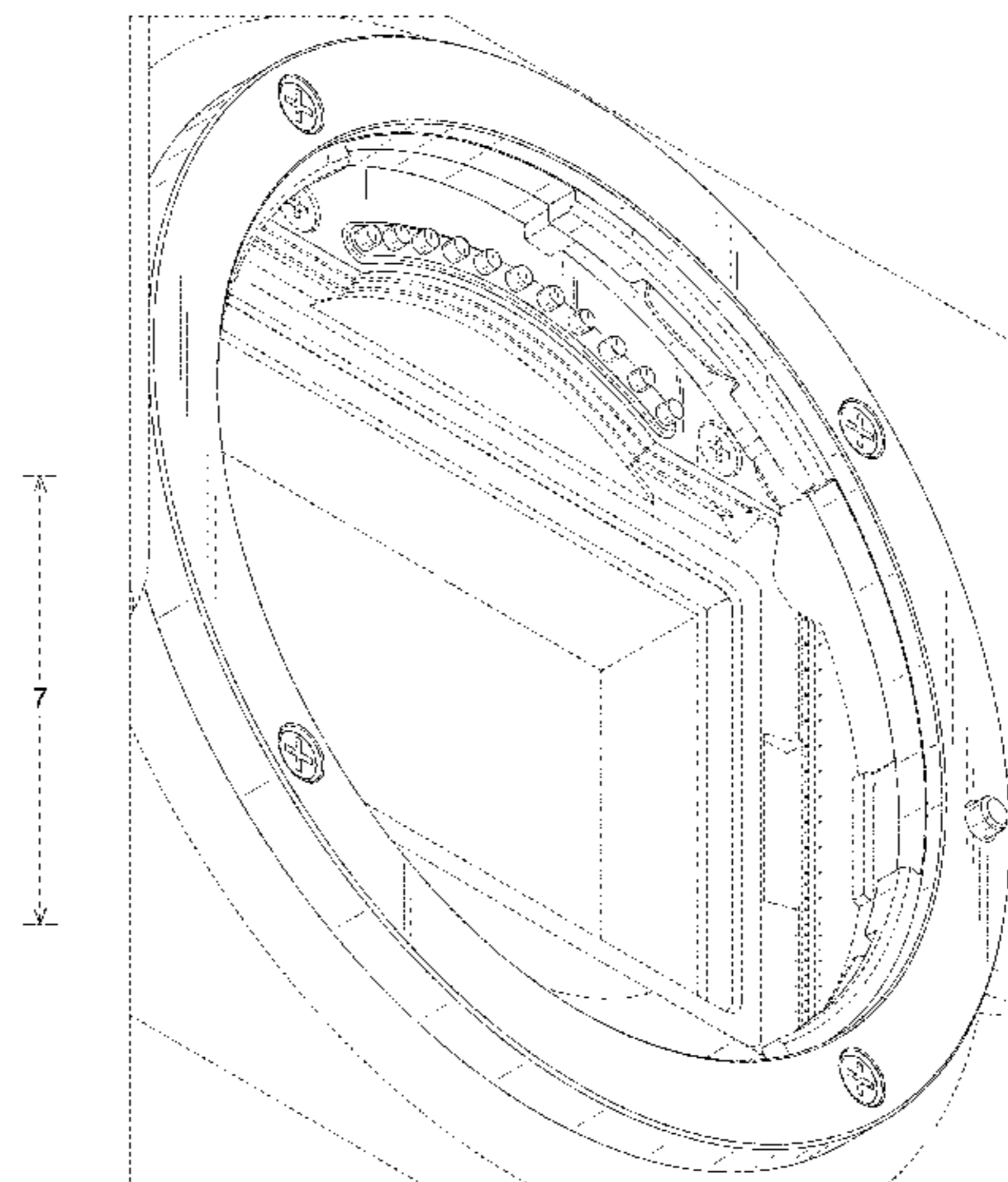
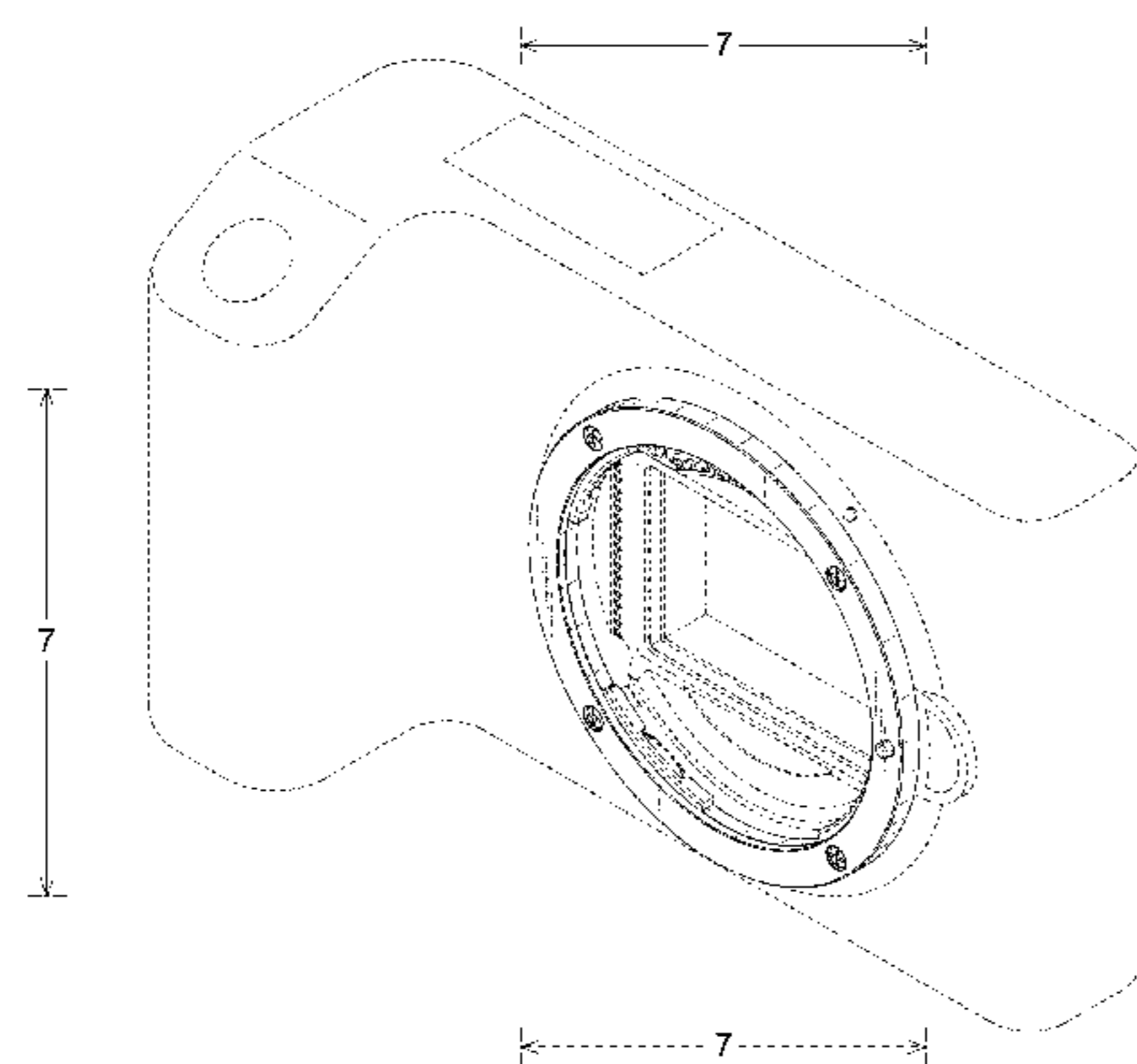
FIG. 6 is a right side view thereof;

FIG. 7 is an enlarged view showing a portion defined by lines 7-7 in FIG. 1; and,

FIG. 8 is an enlarged view showing a portion defined by lines 8-8 in FIG. 2.

The broken lines illustrate portions of the digital camera and form no part of the claimed design.

1 Claim, 8 Drawing Sheets



(56)

References Cited

U.S. PATENT DOCUMENTS

D657,408 S * 4/2012 Tainaka D16/202
D670,751 S 11/2012 Koyama et al.
D671,976 S * 12/2012 Akita D16/219
D676,475 S * 2/2013 Tainaka D16/200
D681,090 S * 4/2013 Tainaka D16/200
D681,710 S * 5/2013 Sato D16/200
D682,910 S 5/2013 Hasuda
D688,292 S 8/2013 Koyama et al.
D695,807 S * 12/2013 Tainaka D16/202
D695,808 S * 12/2013 Takahashi D16/202
D696,709 S 12/2013 Sato
D698,838 S * 2/2014 Tainaka D16/200
D698,839 S * 2/2014 Sato D16/200
D718,361 S 11/2014 Noh
D745,591 S 12/2015 Oh
D750,152 S 2/2016 Awazu et al.

D774,584 S 12/2016 Walters et al.
D776,742 S 1/2017 Awazu et al.
D780,822 S 3/2017 Awazu et al.
D791,853 S 7/2017 Capaul-Weber et al.
D822,750 S 7/2018 Yoon
D831,093 S 10/2018 Tokiwa et al.
D838,765 S 1/2019 Tokiwa et al.

FOREIGN PATENT DOCUMENTS

JP 3251131 B2 1/2002
JP 3511229 B2 3/2004

OTHER PUBLICATIONS

Office Communication dated Jun. 12, 2019 for U.S. Appl. No. 29/642,041.

* cited by examiner

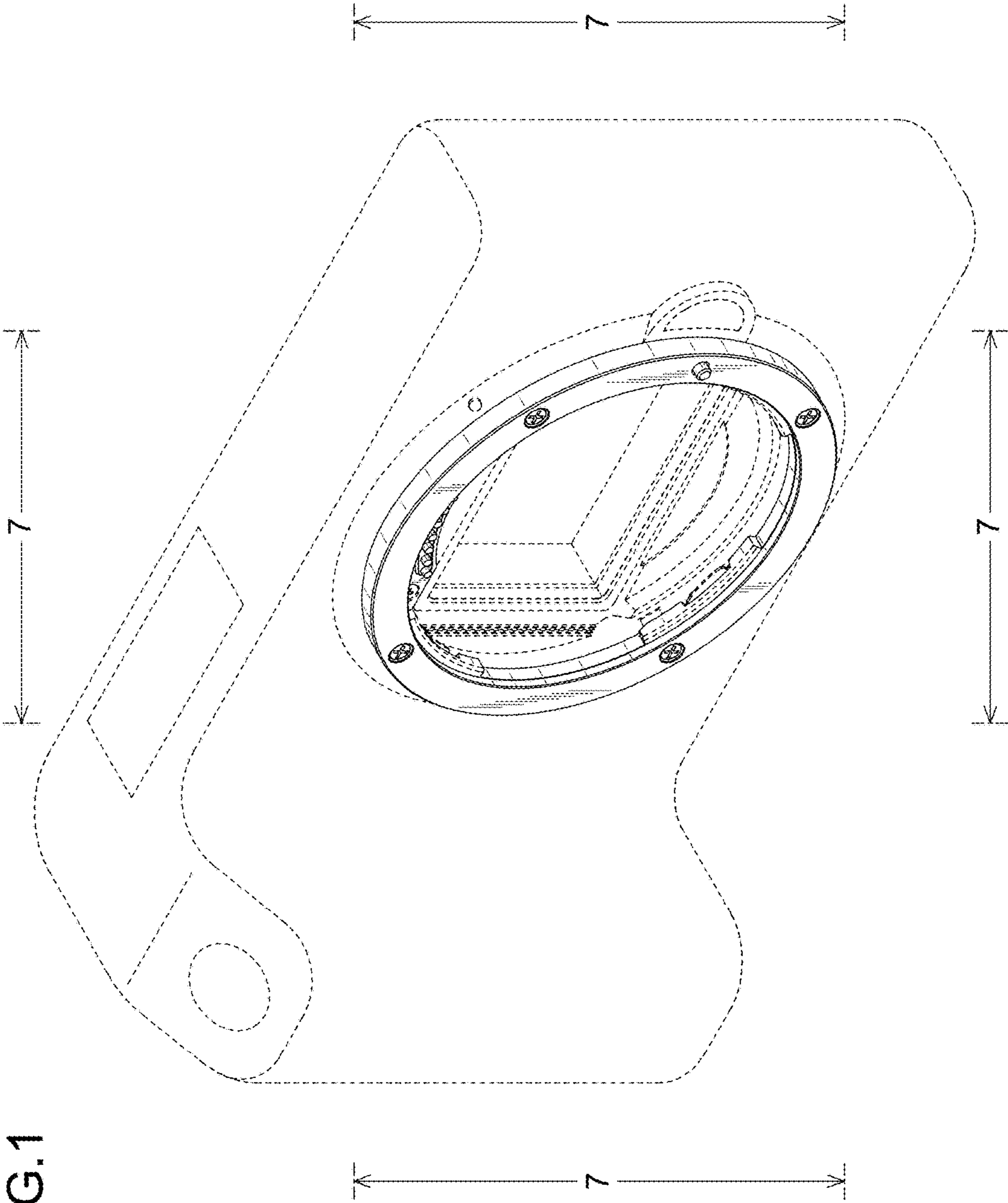


FIG.1

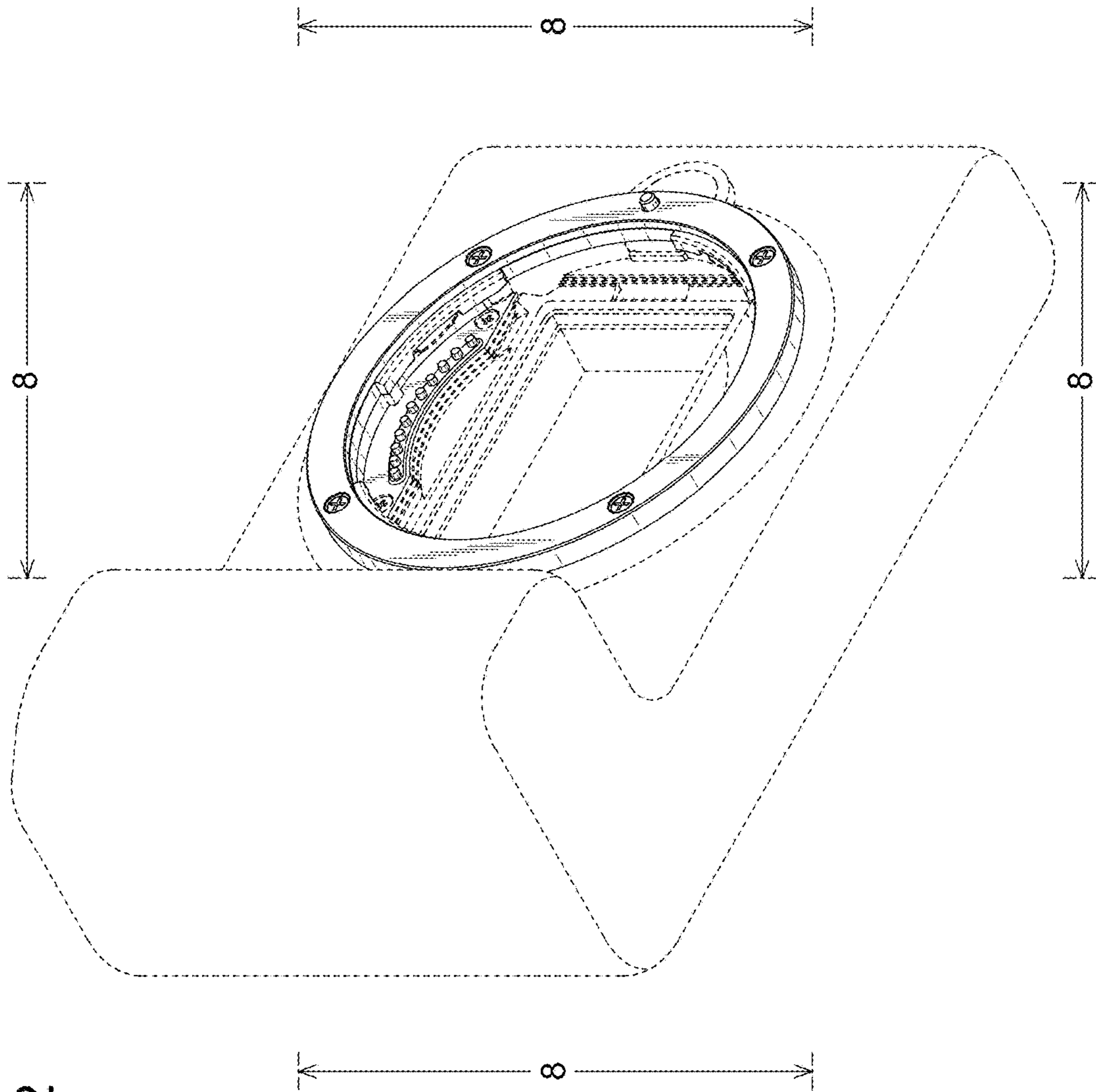


FIG.2

FIG.3

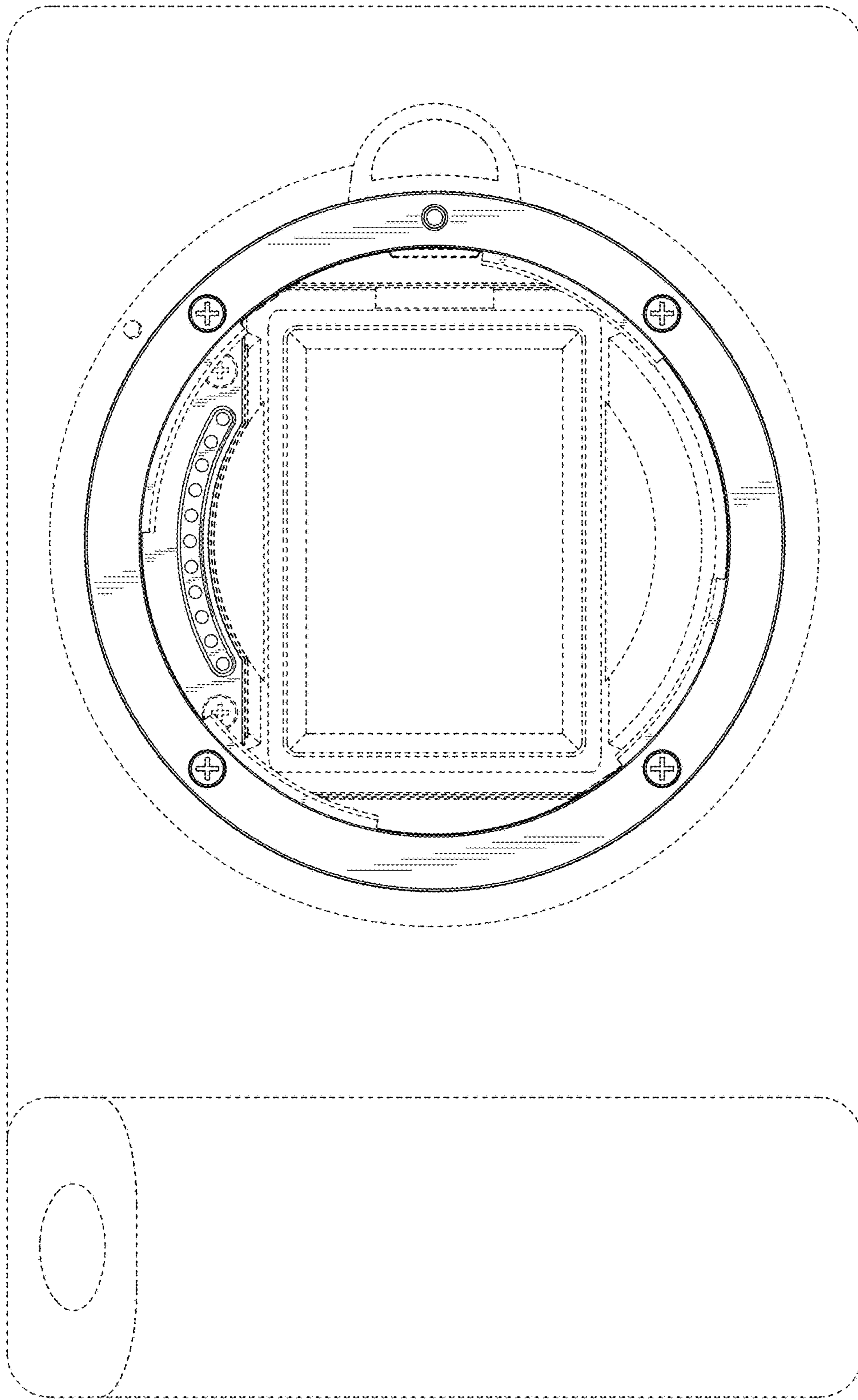


FIG.4

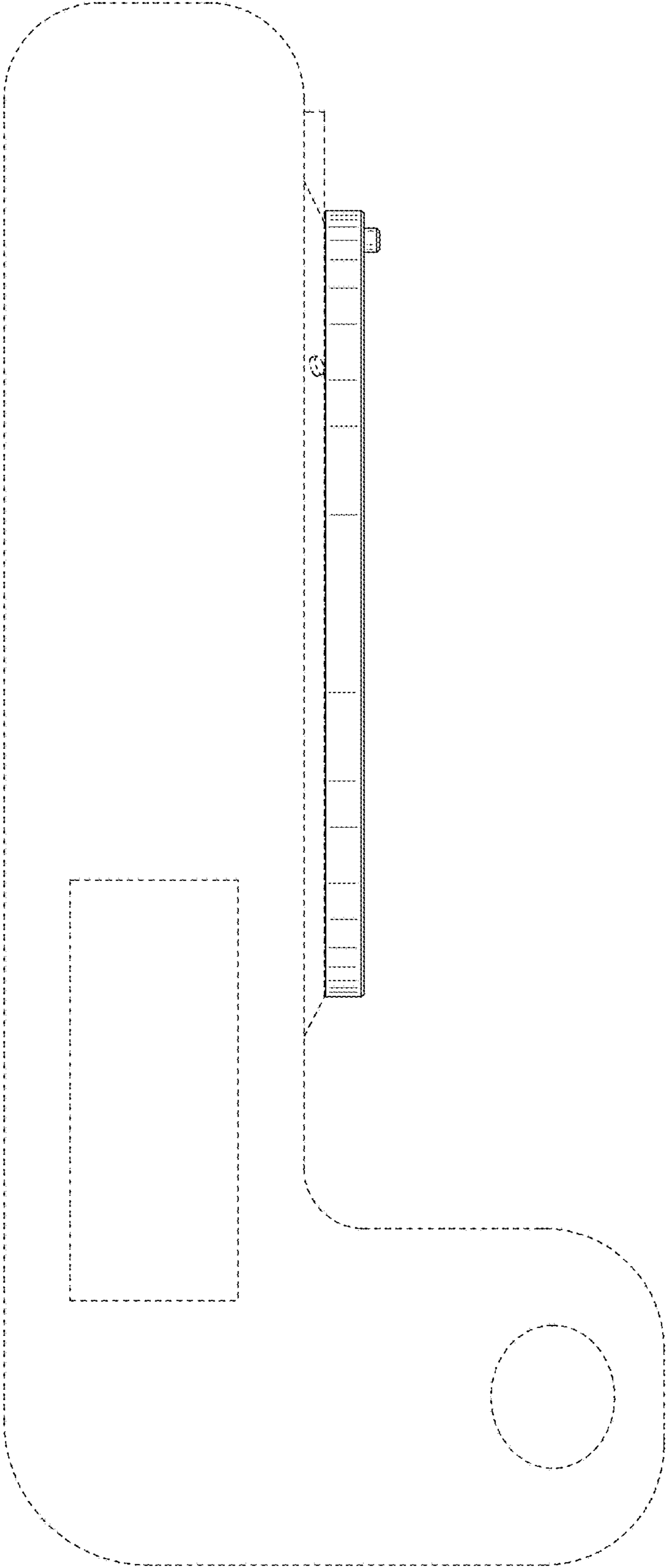


FIG. 5

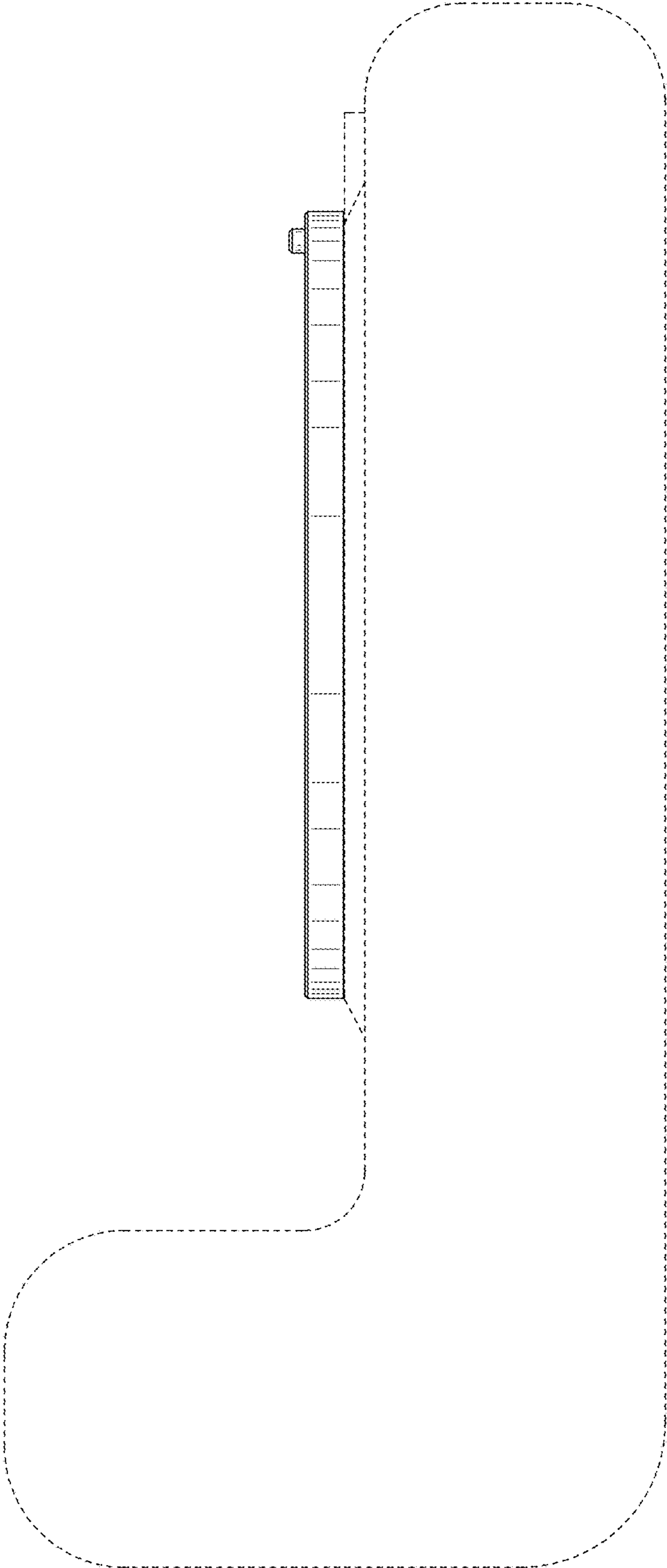


FIG.6

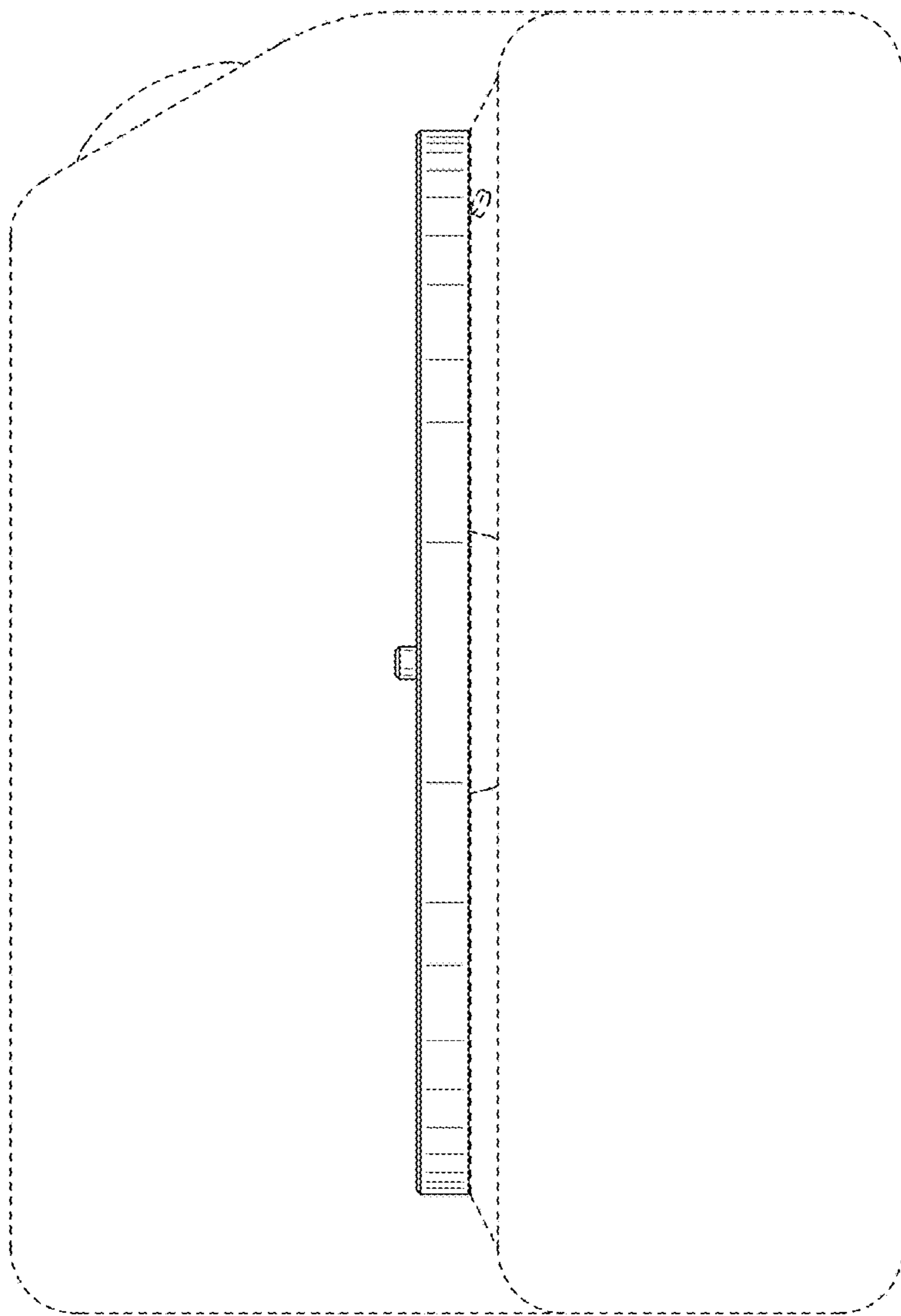


FIG.7

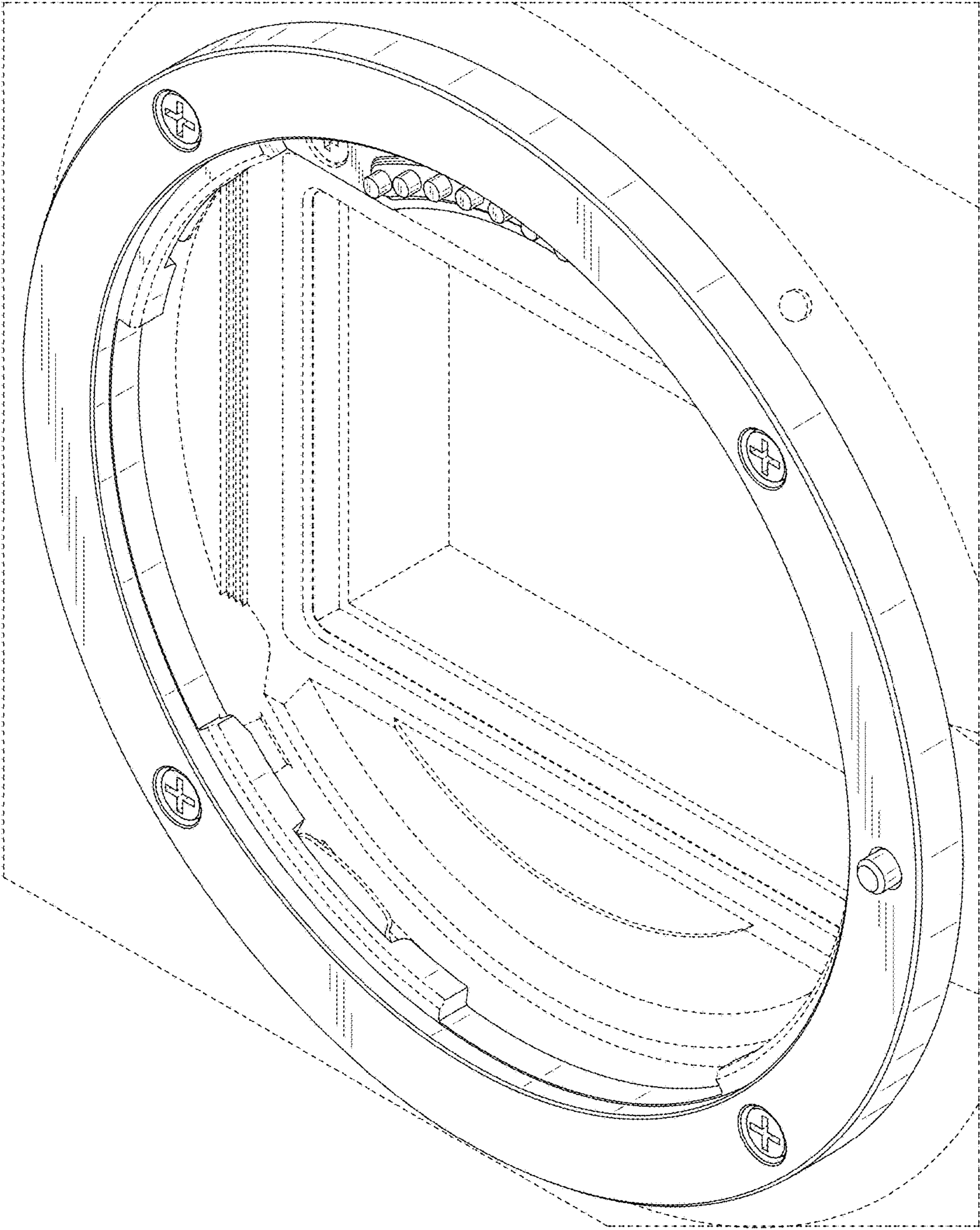


FIG.8

