



US00D870184S

(12) **United States Design Patent** (10) **Patent No.:** **US D870,184 S**  
**Sheng et al.** (45) **Date of Patent:** **\*\* Dec. 17, 2019**

(54) **CAMERA**  
(71) Applicant: **AVISION INC.**, Hsinchu (TW)  
(72) Inventors: **Shao-Lan Sheng**, Hsinchu (TW);  
**Chao-Yu Peng**, Hsinchu (TW)  
(73) Assignee: **AVISION INC.**, Hsinchu (TW)  
(\*\*) Term: **15 Years**  
(21) Appl. No.: **29/631,820**  
(22) Filed: **Jan. 3, 2018**  
(51) **LOC (12) Cl.** ..... **16-05**  
(52) **U.S. Cl.**  
USPC ..... **D16/219**; D16/243; D32/34  
(58) **Field of Classification Search**  
USPC ..... D16/200–220, 131, 237, 242, 239, 250,  
D16/235, 130, 134, 136, 238;  
D14/138 C, 240, 248, 203.1, 203.3, 203.7,  
D14/218, 207, 420, 426; D10/104.1, 50,  
D10/65, 74, 70, 118.2; D26/28, 29, 34,  
D26/51, 52, 60, 61, 722, 37, 41, 49, 50,  
D26/48; D3/260, 318, 268, 276, 282,  
D3/291, 12, 240, 246, 307; D30/109,  
D30/104, 106, 107; D22/136; D32/17,  
D32/18, 34, 52, 72; D23/233, 226;  
D8/65–70, 73, 97, 107, 303  
CPC . G02B 7/02; G02B 7/021; G02B 7/04; G02B  
7/14; G02B 7/003; G03B 17/00; G03B  
17/02; G03B 17/56; G03B 17/04; G03B  
17/14; G03B 17/08; G03B 15/03; G03B  
15/06; H04N 5/2251; H04N 5/2252;  
H04N 5/2253; H04N 5/2254; H04N 7/00;  
H04N 2101/00; F16M 13/00  
See application file for complete search history.

D162,312 S \* 3/1951 Karstadt ..... D32/18  
D199,540 S \* 11/1964 Rhoades et al. .... D26/37  
D207,632 S \* 5/1967 Anderson ..... D32/17  
D214,339 S \* 6/1969 Fosella ..... D32/18  
D228,339 S \* 9/1973 Zemke ..... D32/52  
D236,029 S \* 7/1975 Land ..... D16/243  
D257,941 S \* 1/1981 Tack ..... D32/18  
D263,547 S \* 3/1982 Carsello ..... 15/405

(Continued)

**FOREIGN PATENT DOCUMENTS**

CN 304572483 \* 4/2018

*Primary Examiner* — T Chase Nelson

*Assistant Examiner* — Mary Claire Ramirez

(74) *Attorney, Agent, or Firm* — WPAT, PC

(57) **CLAIM**

The ornamental design for a camera, as shown and described.

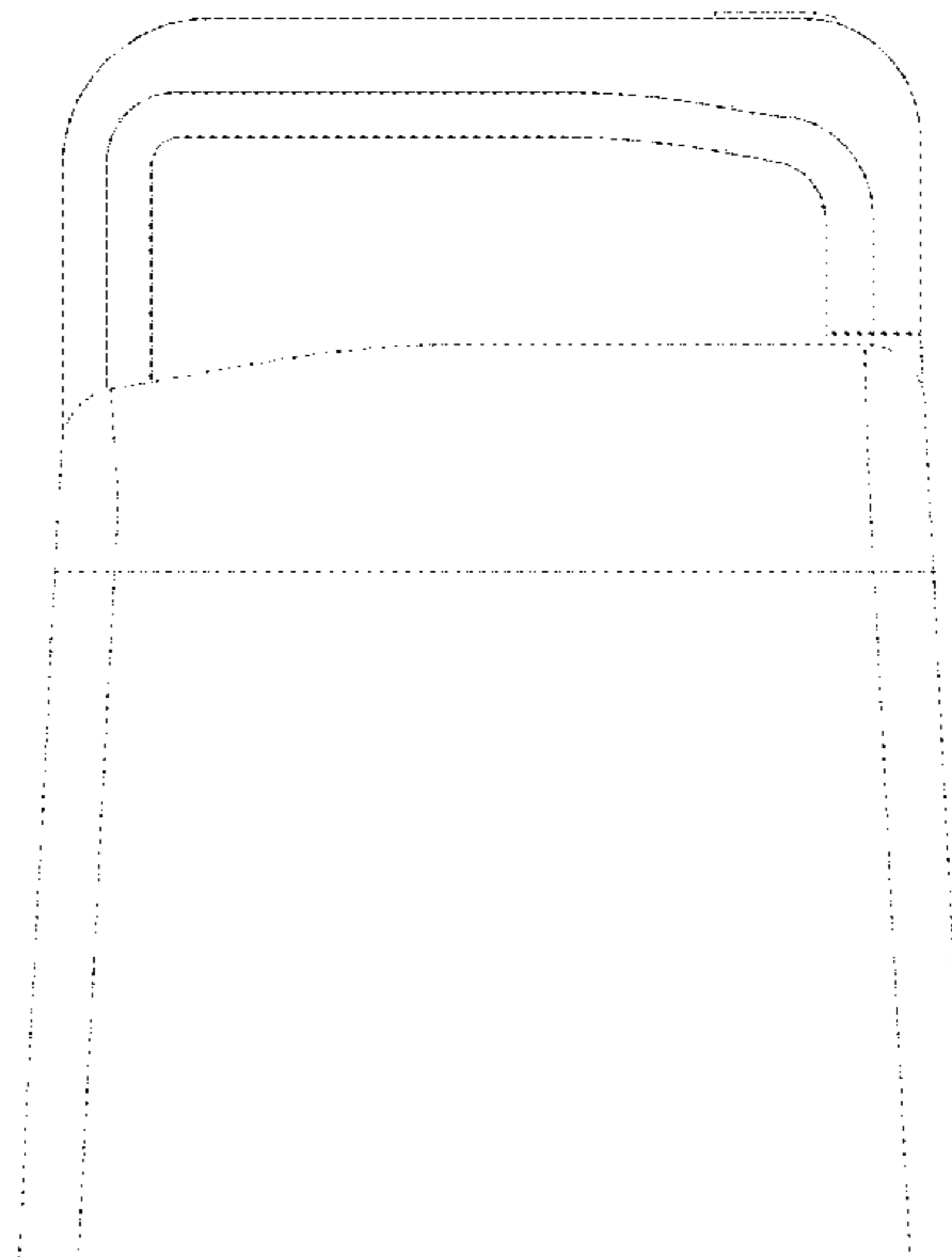
**DESCRIPTION**

FIG. 1 is a bottom perspective view of a camera showing the new design in a first embodiment;  
FIG. 2 is a front view thereof;  
FIG. 3 is a rear view thereof;  
FIG. 4 is a left view thereof;  
FIG. 5 is a right side view thereof;  
FIG. 6 is a top side view thereof;  
FIG. 7 is a bottom view thereof;  
FIG. 8 is bottom perspective view of a second embodiment of the camera showing the new design;  
FIG. 9 is a front view thereof;  
FIG. 10 is a rear view thereof;  
FIG. 11 is a left view thereof;  
FIG. 12 is a right side view thereof;  
FIG. 13 is a top side view thereof; and,  
FIG. 14 is a bottom view thereof.  
The broken lines in the drawings depict portions of the camera that form no part of the claimed design.

**1 Claim, 14 Drawing Sheets**

(56) **References Cited**  
U.S. PATENT DOCUMENTS

D146,433 S \* 3/1947 Polivka et al. .... D32/72  
D147,783 S \* 11/1947 Crosby et al. .... D8/69



(56)

References Cited

U.S. PATENT DOCUMENTS

D271,715 S \* 12/1983 Kiyooka ..... D32/15  
 D283,064 S \* 3/1986 Thomas ..... D32/18  
 D287,419 S \* 12/1986 Ling ..... D32/18  
 D288,971 S \* 3/1987 Hohulin ..... D32/18  
 D293,949 S \* 1/1988 Toyomi ..... D32/18  
 D294,412 S \* 2/1988 Sadashima ..... D32/18  
 D299,571 S \* 1/1989 Kiyooka ..... D23/213  
 D304,510 S \* 11/1989 Baker ..... D32/15  
 D304,871 S \* 11/1989 Yuen ..... D32/18  
 D306,657 S \* 3/1990 Fushiya ..... D32/17  
 5,331,716 A \* 7/1994 Hemmann ..... A47L 5/26  
 15/332  
 D353,055 S \* 12/1994 Kish ..... D26/48  
 D357,086 S \* 4/1995 Poon ..... D26/48  
 D368,558 S \* 4/1996 Wolfe ..... D32/18  
 D372,927 S \* 8/1996 Elmore ..... D16/220  
 D379,691 S \* 6/1997 Moine ..... D32/18  
 D389,594 S \* 1/1998 Poon ..... D26/48  
 D394,322 S \* 5/1998 Dalton ..... D26/48  
 D418,262 S \* 12/1999 Yuen ..... D32/18

D432,743 S \* 10/2000 Santiago ..... D32/18  
 D443,675 S \* 6/2001 Howard ..... D23/223  
 D447,760 S \* 9/2001 Lantz ..... D16/219  
 D569,563 S \* 5/2008 Shin ..... D32/18  
 D663,182 S \* 7/2012 Schoening ..... D8/65  
 D670,458 S \* 11/2012 Seo ..... D32/18  
 D671,695 S \* 11/2012 Seo ..... D32/18  
 D681,898 S \* 5/2013 Wu ..... D32/35  
 D708,801 S \* 7/2014 Israel ..... D32/17  
 D725,857 S \* 3/2015 Bennett ..... D32/34  
 D726,383 S \* 4/2015 Milligan ..... D32/18  
 D733,982 S \* 7/2015 Cui ..... D32/17  
 D741,864 S \* 10/2015 Ruhland ..... D14/420  
 D743,123 S \* 11/2015 Chu ..... D32/18  
 D752,793 S \* 3/2016 Ng ..... D26/48  
 D797,335 S \* 9/2017 Brown ..... D26/37  
 D809,564 S \* 2/2018 Boren ..... D14/496  
 D810,178 S \* 2/2018 Miyamoto ..... D16/237  
 D827,231 S \* 8/2018 Ward ..... D32/18  
 D827,956 S \* 9/2018 Spratt ..... D32/21  
 2019/0204715 A1 \* 7/2019 Sheng ..... H04N 5/2252  
 2019/0204720 A1 \* 7/2019 Sheng ..... G03B 17/563

\* cited by examiner



FIG. 1

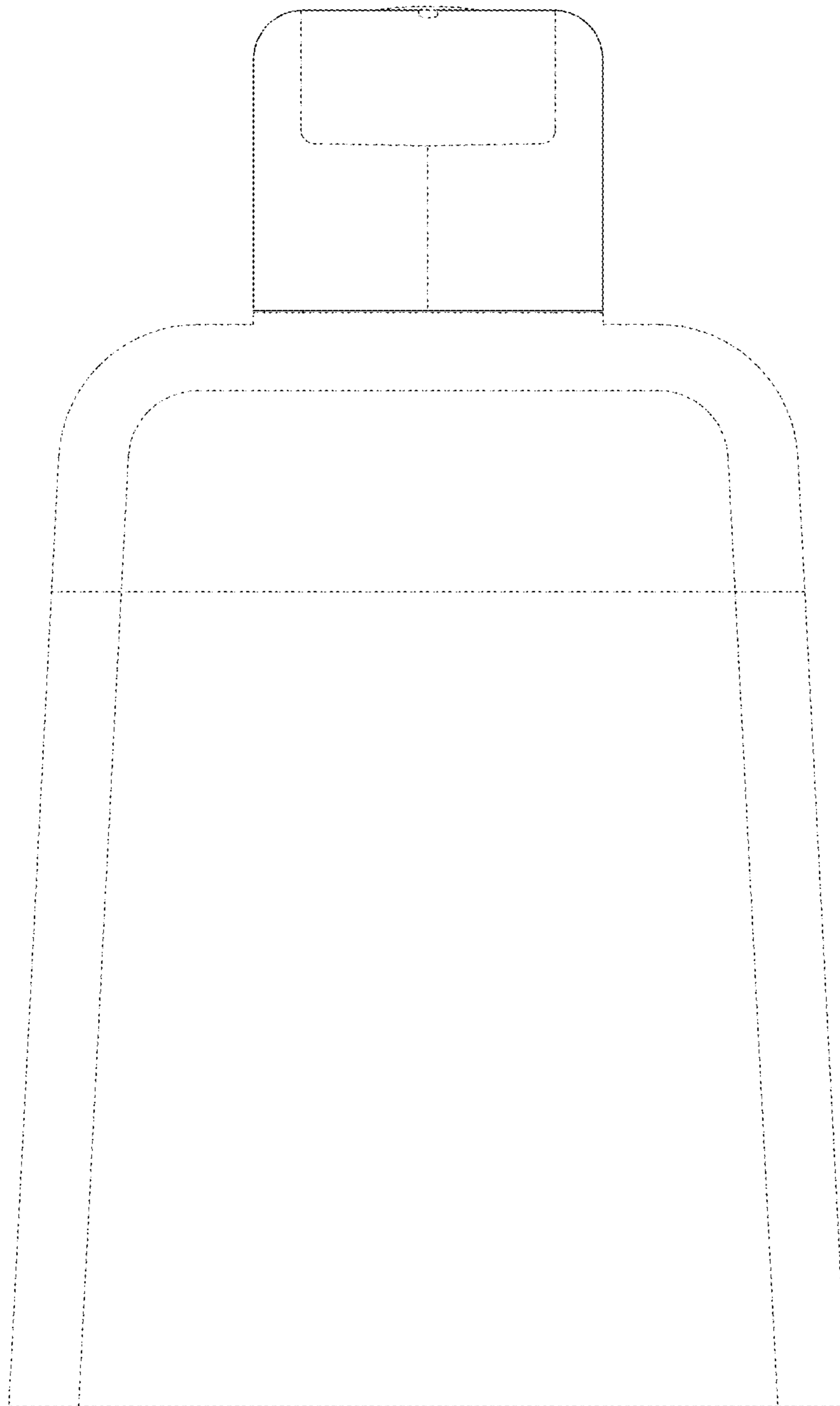


FIG. 2

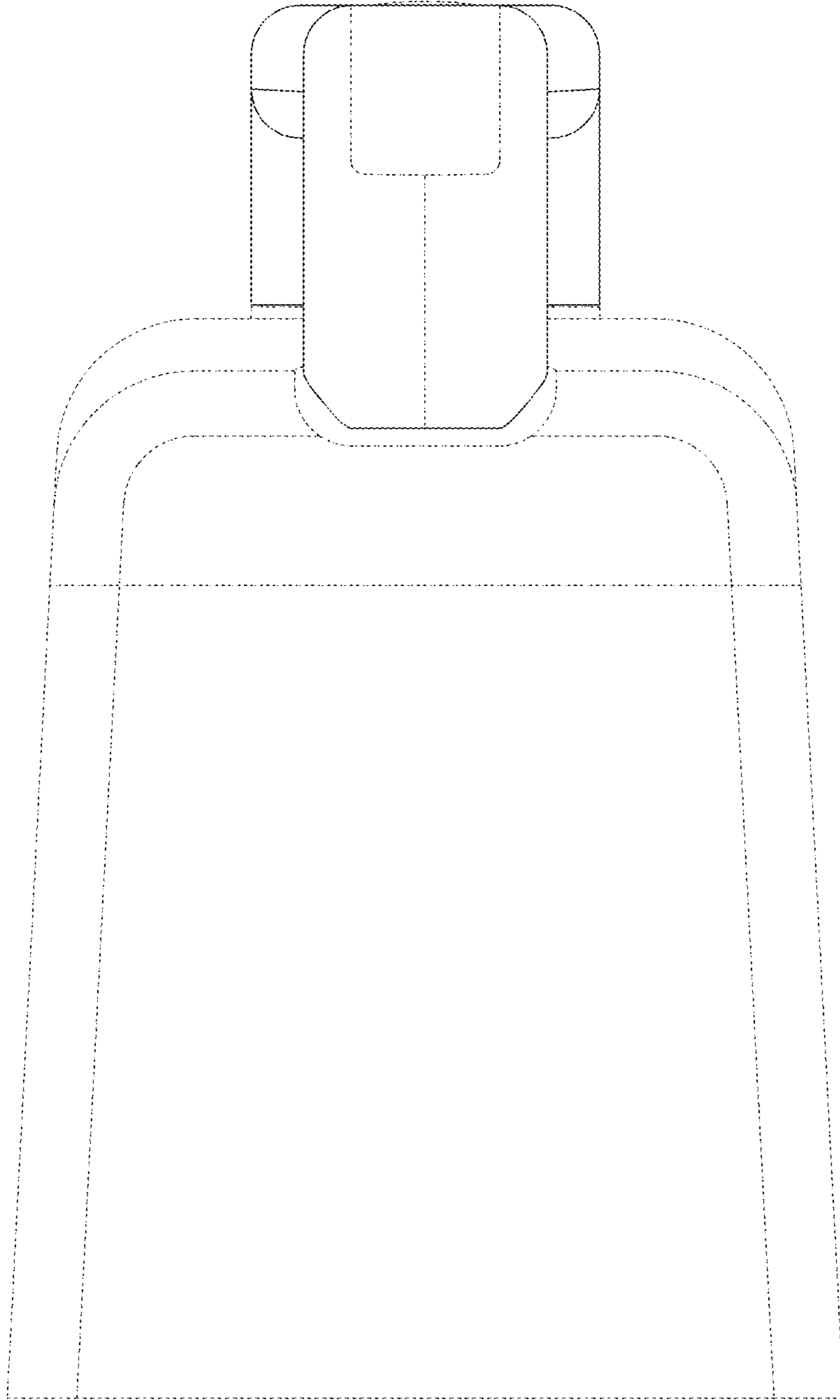


FIG. 3

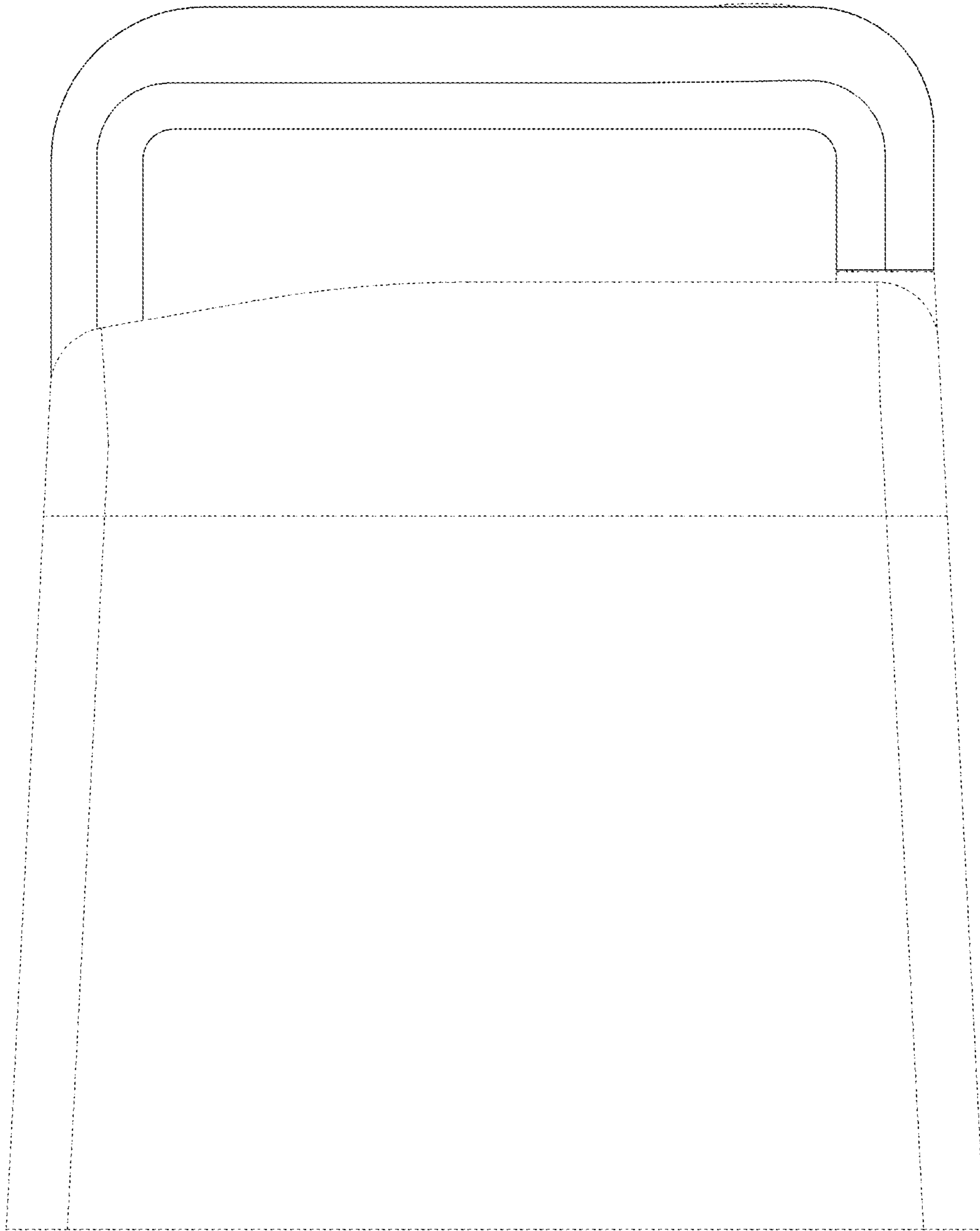


FIG. 4

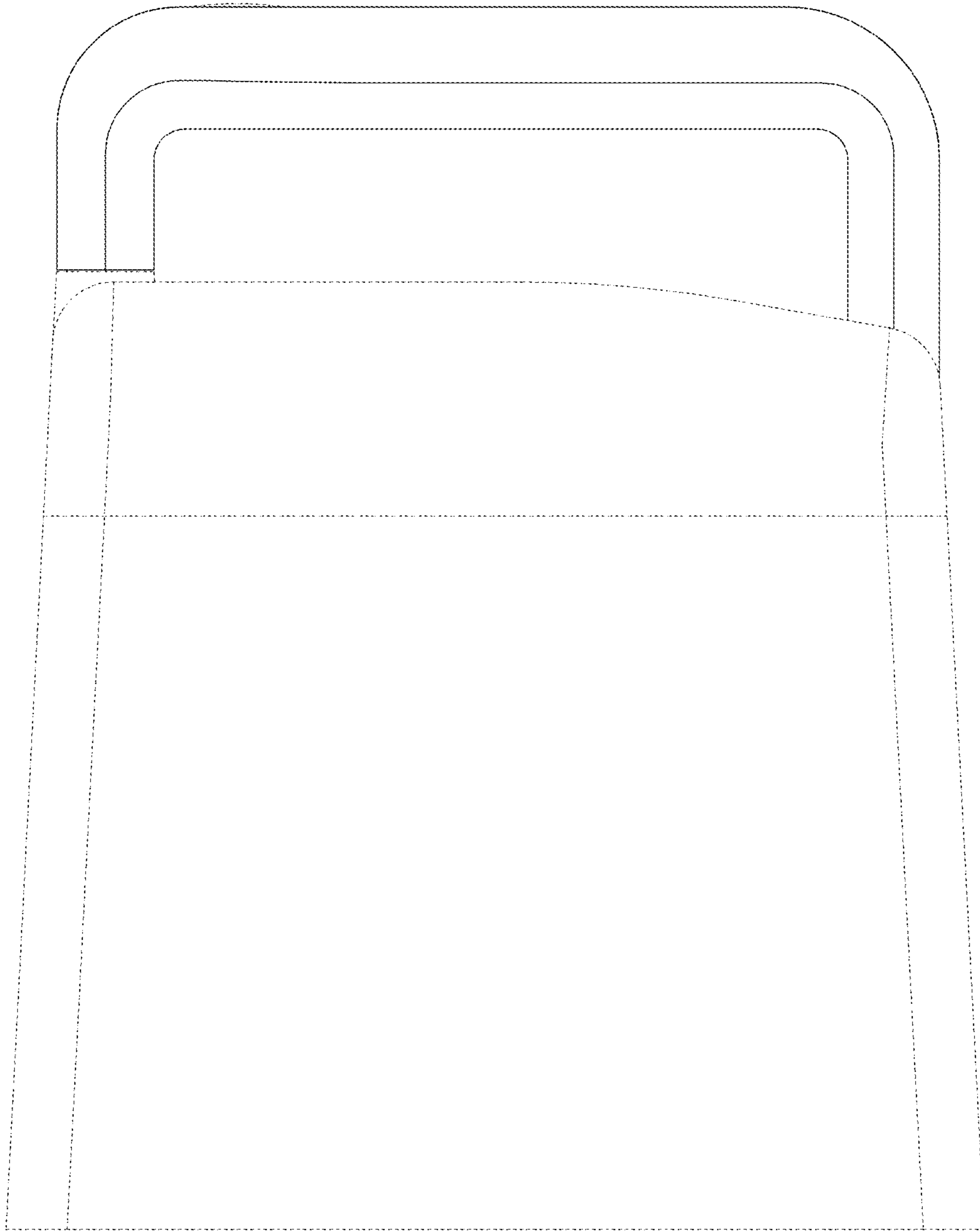


FIG. 5

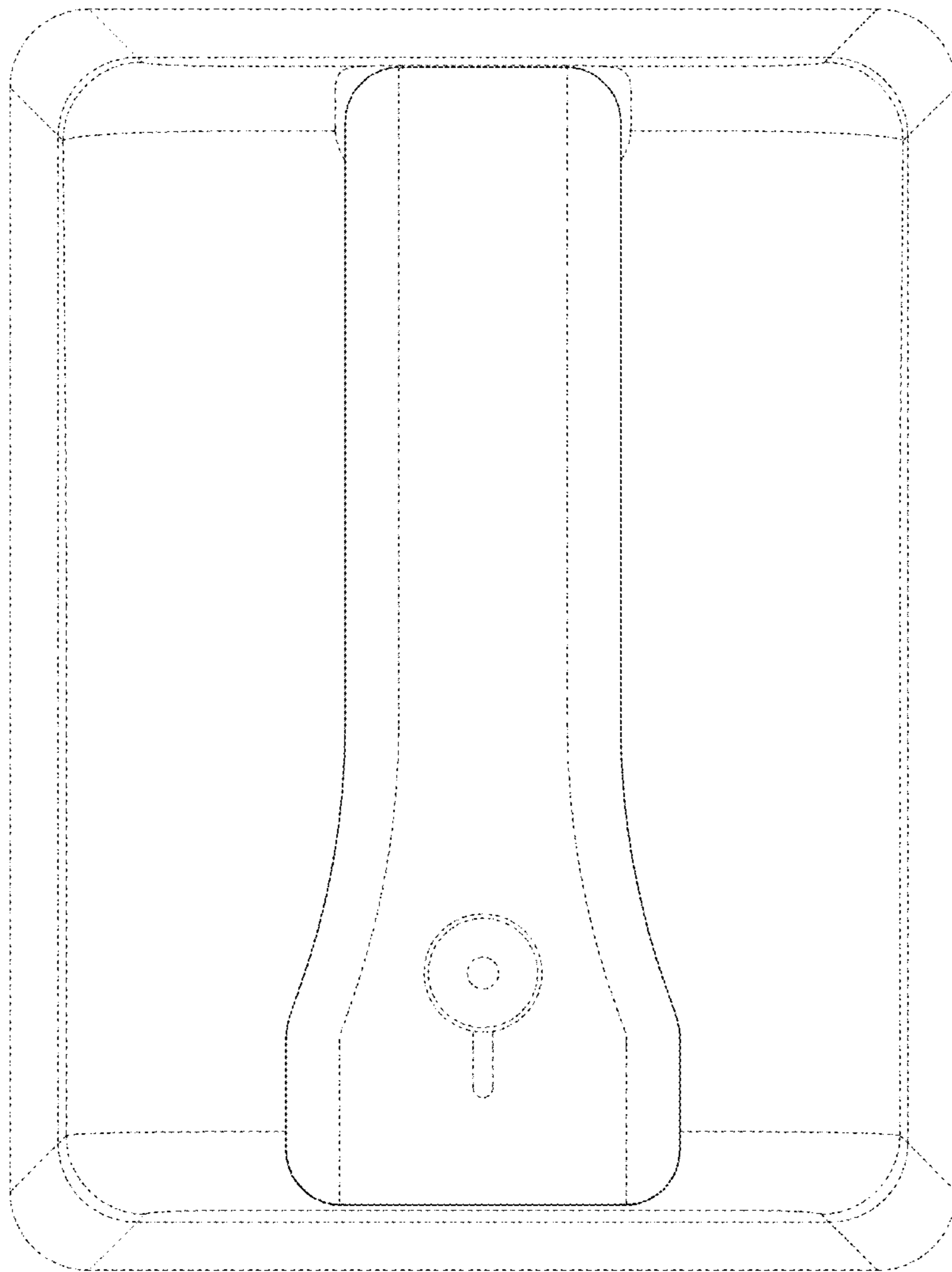


FIG. 6



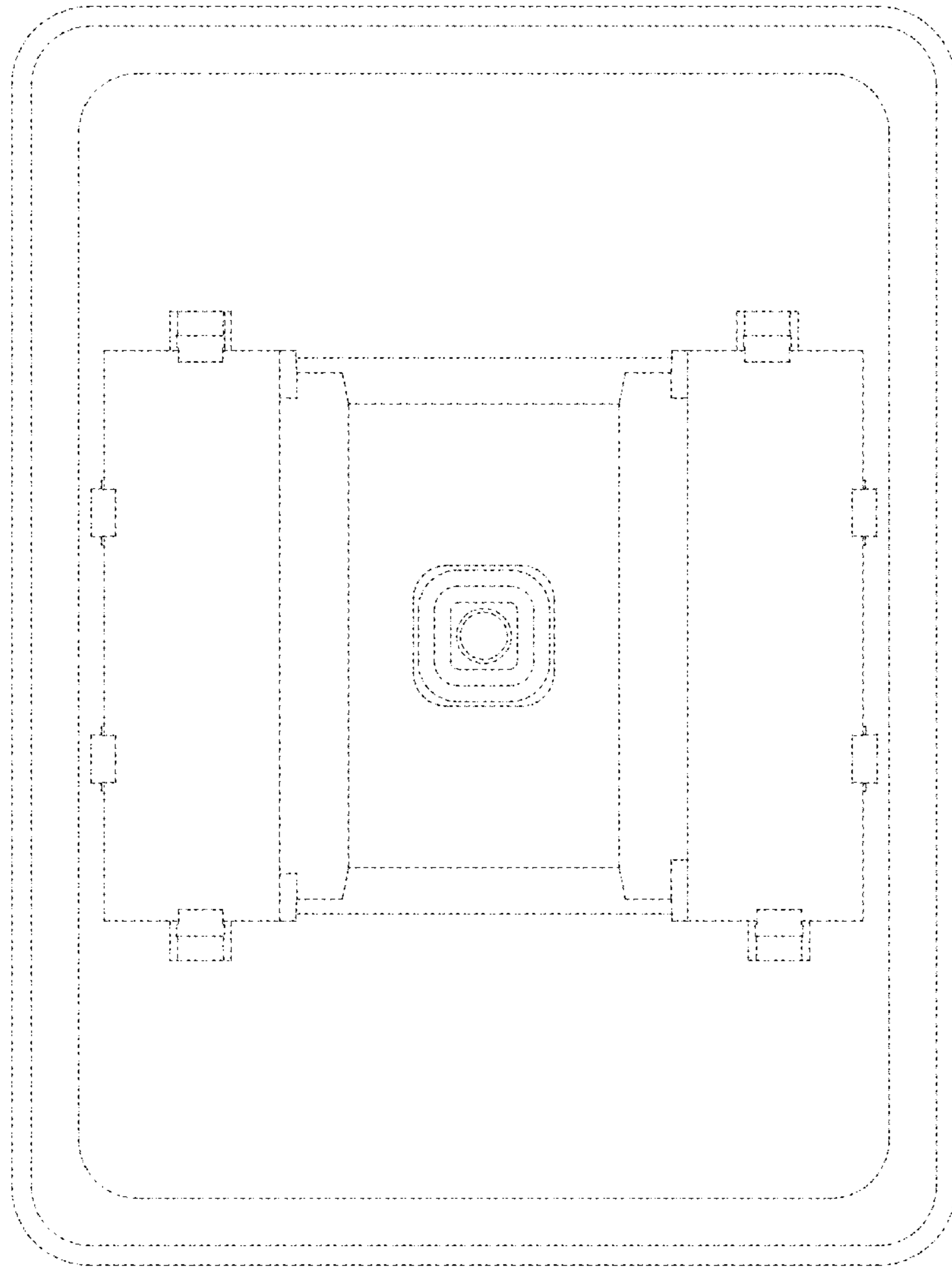


FIG. 7



FIG. 8

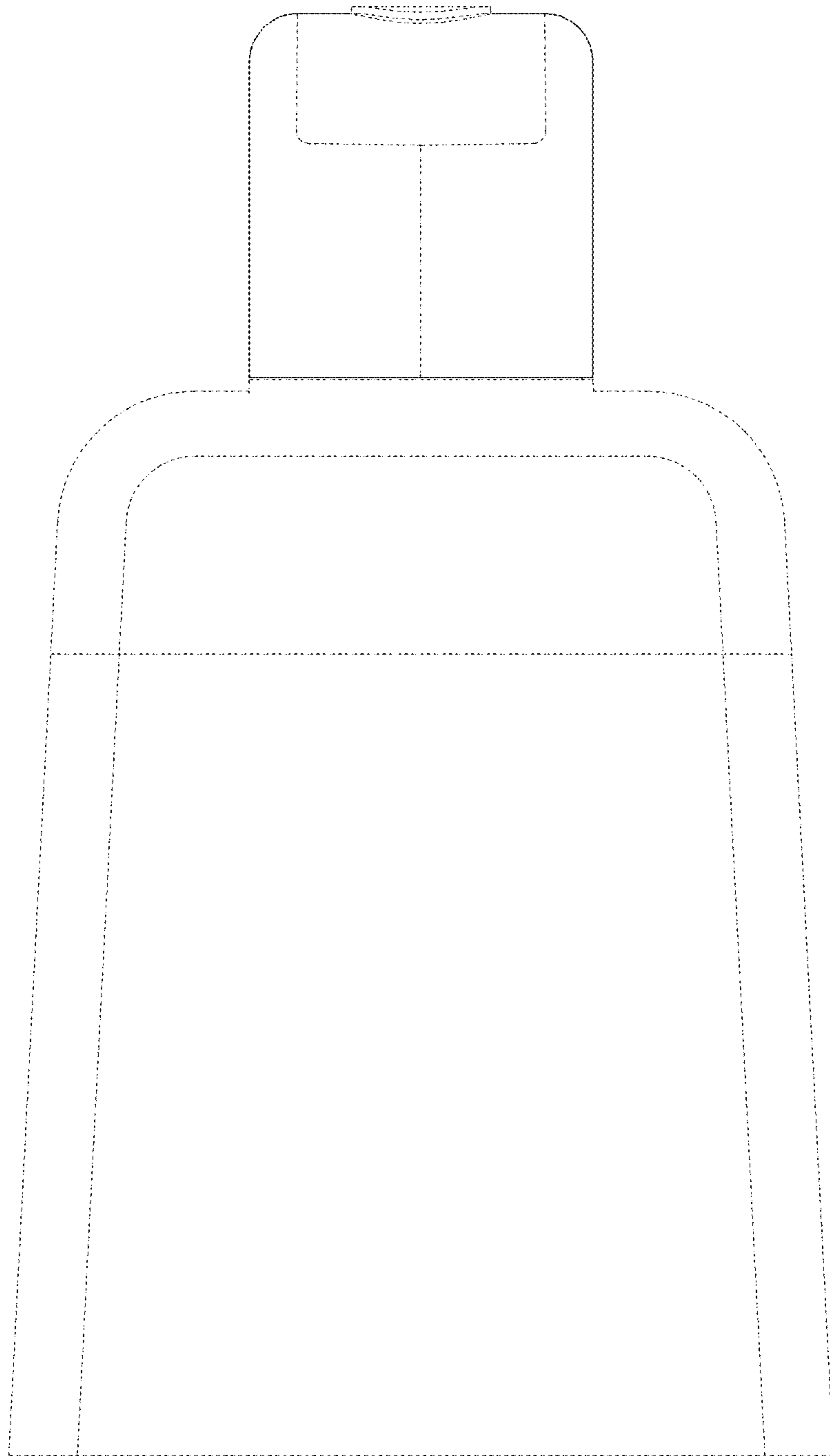


FIG. 9

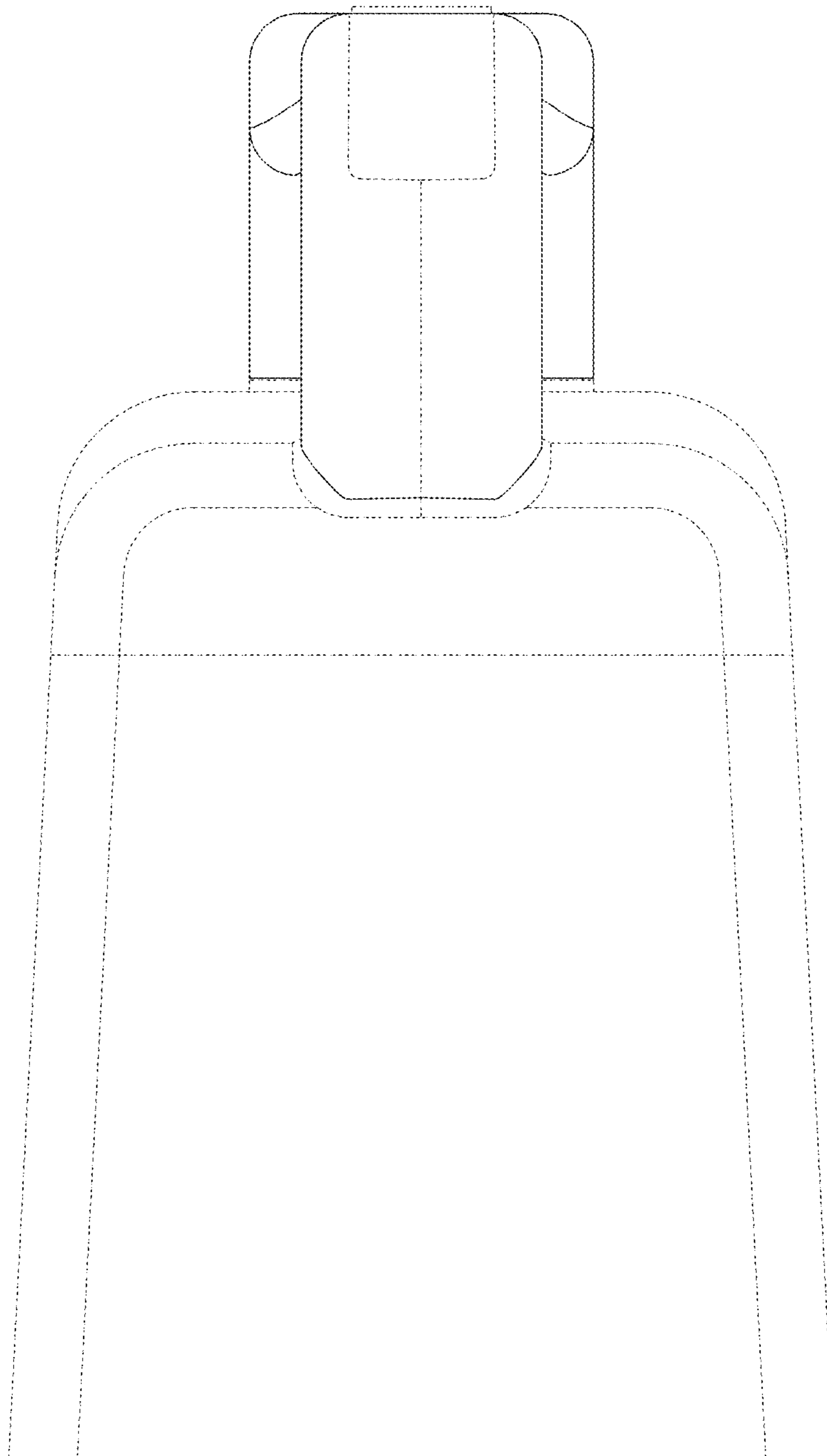


FIG. 10

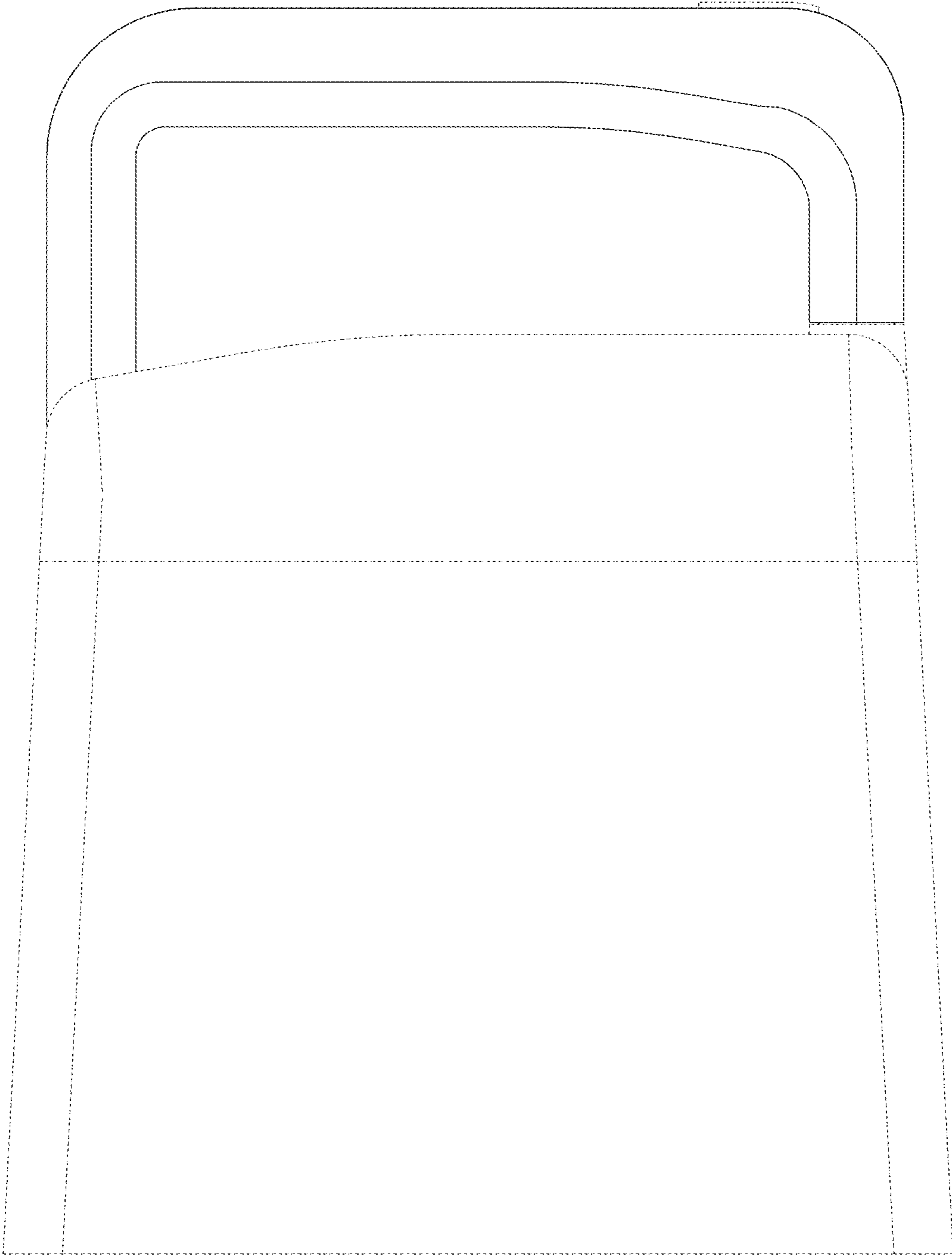


FIG. 11

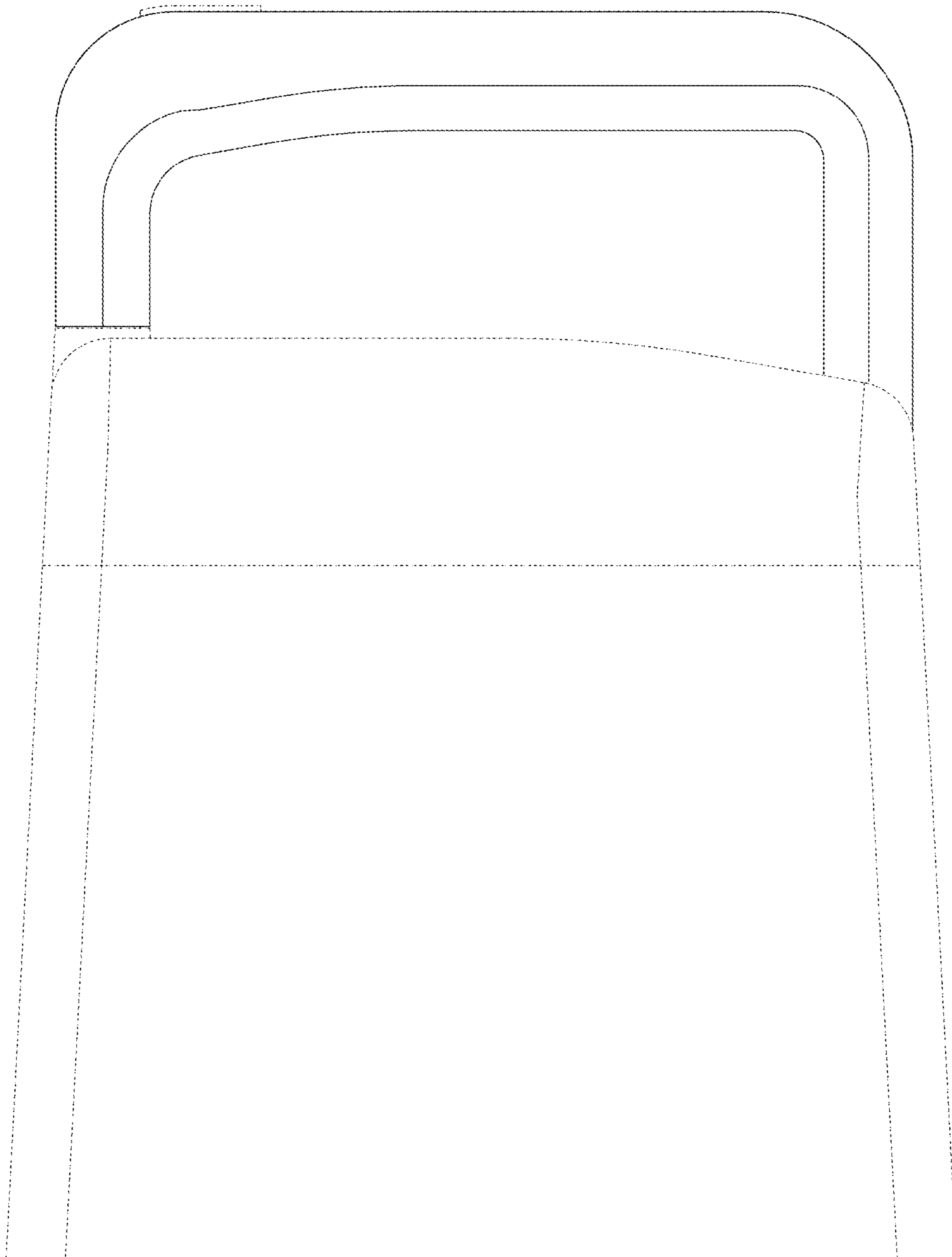


FIG. 12

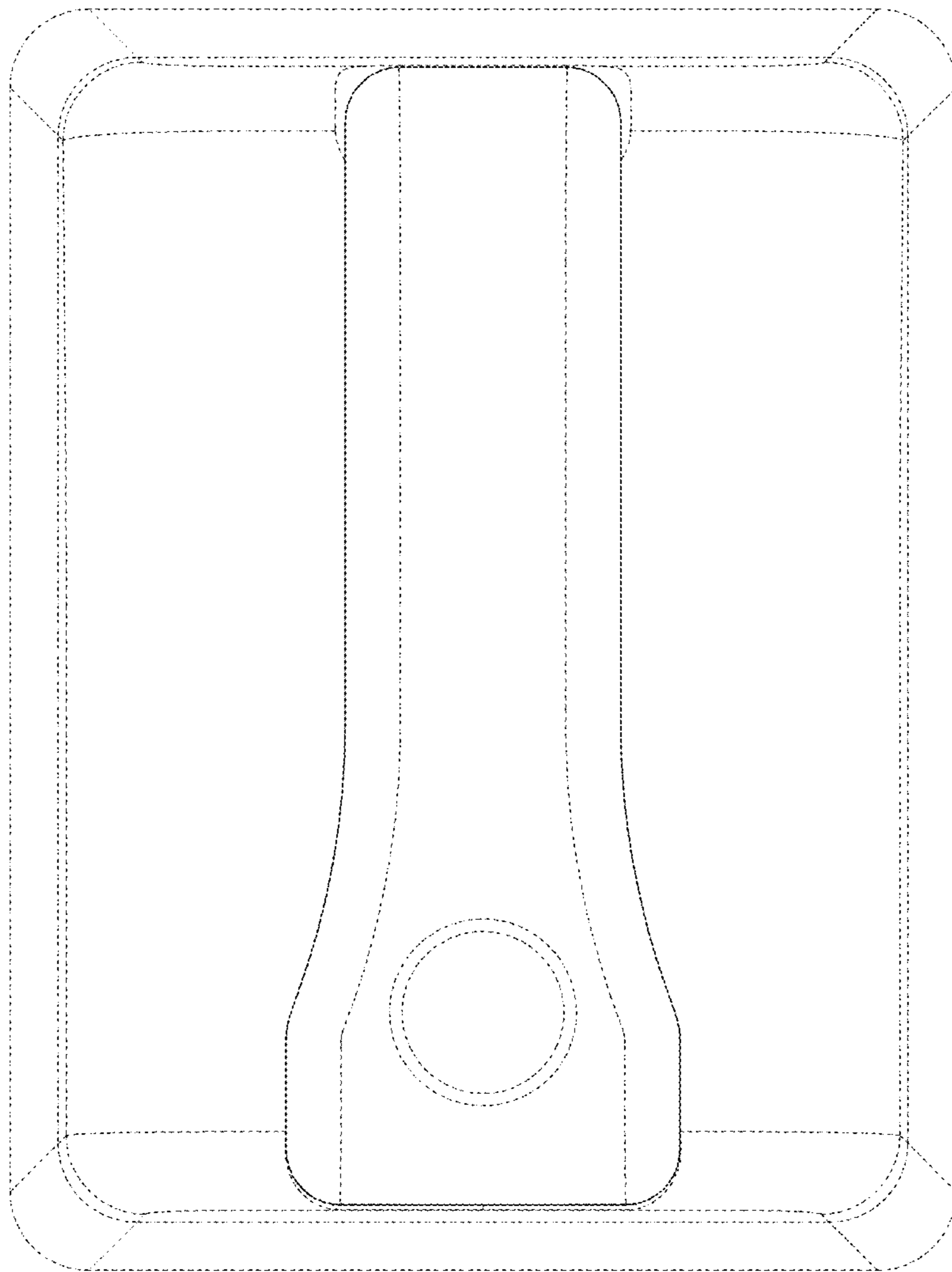


FIG. 13

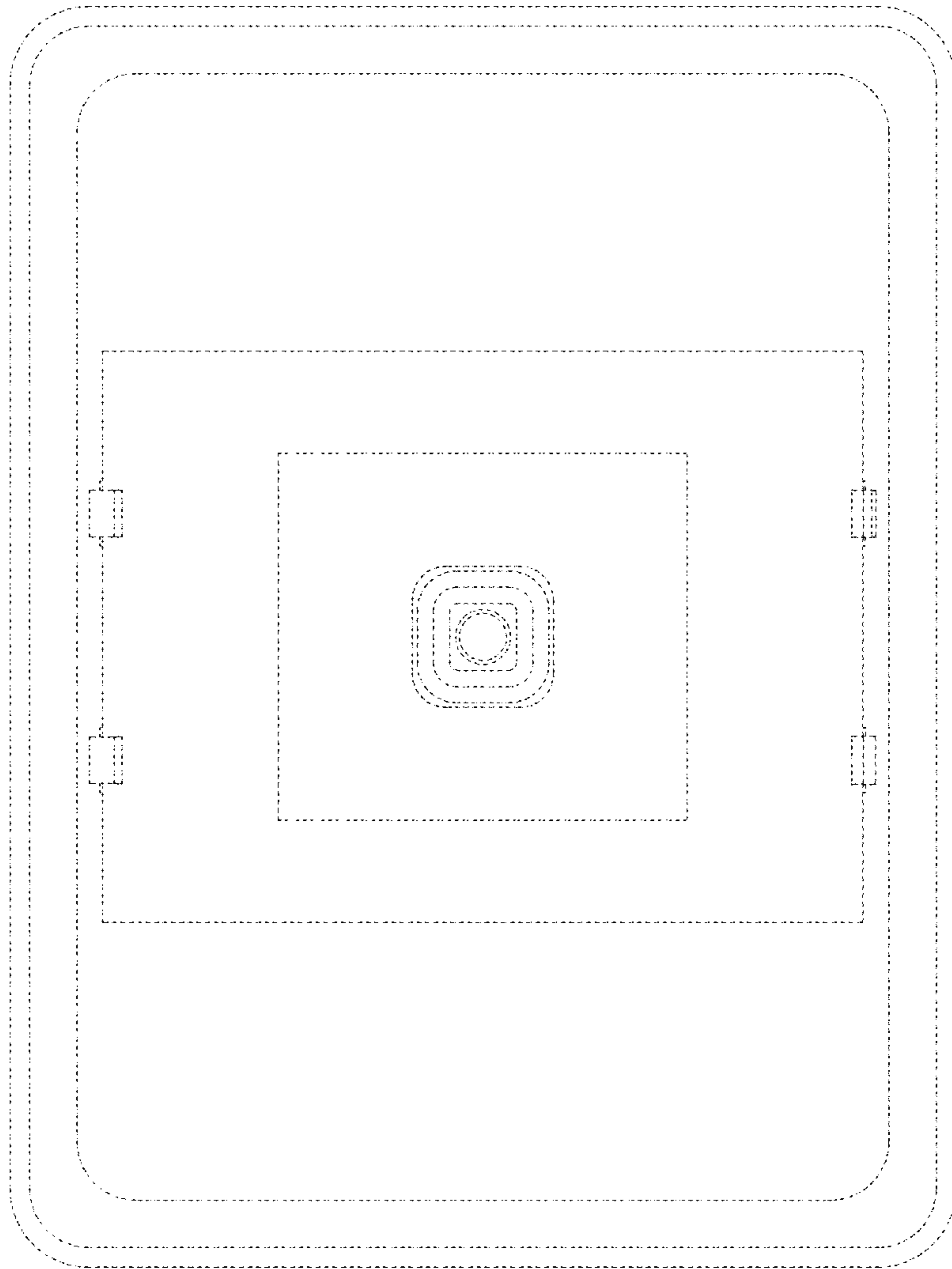


FIG. 14