



US00D870183S

(12) **United States Design Patent**
Tsukamoto et al.

(10) **Patent No.:** **US D870,183 S**

(45) **Date of Patent:** **** Dec. 17, 2019**

(54) **CAMERA**

(71) Applicant: **SZ DJI Technology Co., Ltd.**,
Shenzhen (CN)

(72) Inventors: **Chihiro Tsukamoto**, Shenzhen (CN);
Hao Liu, Shenzhen (CN)

(73) Assignee: **SZ DJI Technology Co., Ltd.**,
Shenzhen (CN)

(**) Term: **15 Years**

(21) Appl. No.: **29/658,625**

(22) Filed: **Aug. 1, 2018**

(51) **LOC (12) Cl.** **16-01**

(52) **U.S. Cl.**
USPC **D16/218**

(58) **Field of Classification Search**
USPC D16/200, 202–206, 208–209, 212, 218,
D16/219; 348/373–376; 396/448, 535,
396/539–541
CPC G03B 15/03; G03B 17/02; G03B 17/04;
G03B 17/56; G03B 19/04; H04N 5/2251;
H04N 5/2252; H04N 5/2253; H04N
5/2254; H04N 2101/00

See application file for complete search history.

(56) **References Cited**

U.S. PATENT DOCUMENTS

D644,679 S	9/2011	Woodman
D646,313 S	10/2011	Woodman
D657,808 S	4/2012	Woodman
D657,811 S	4/2012	Woodman
D674,428 S	1/2013	Woodman
D699,276 S	2/2014	Samuels et al.
D699,277 S	2/2014	Samuels et al.
D702,276 S	4/2014	Woodman
D702,277 S	4/2014	Woodman
D702,747 S	4/2014	Woodman et al.
D710,921 S	8/2014	Gioscia et al.

D710,922 S	8/2014	Gioscia et al.
D721,395 S	1/2015	Woodman et al.
D724,637 S	3/2015	Samuels et al.
D724,638 S	3/2015	Samuels et al.
D725,169 S	3/2015	Gioscia et al.
D732,593 S	6/2015	Woodman
D734,799 S	7/2015	Woodman et al.
D735,790 S	8/2015	Gioscia et al.
D737,879 S	9/2015	Woodman et al.
D739,451 S	9/2015	Gioscia et al.
D740,868 S	10/2015	Gioscia et al.
D740,875 S	10/2015	Woodman et al.
D740,876 S	10/2015	Woodman et al.
D741,394 S	10/2015	Gioscia et al.

(Continued)

FOREIGN PATENT DOCUMENTS

JP	1111310	6/2001
JP	1427651	11/2011

Primary Examiner — Ramzi S Almatrahi

(74) *Attorney, Agent, or Firm* — Sterne, Kessler,
Goldstein & Fox P.L.L.C.

(57) **CLAIM**

The ornamental design for a camera, as shown and described.

DESCRIPTION

FIG. 1 is a top front perspective view of a camera showing the claimed design;

FIG. 2 is a bottom front perspective view thereof;

FIG. 3 is a front view thereof;

FIG. 4 is a rear view thereof;

FIG. 5 is a left side view thereof;

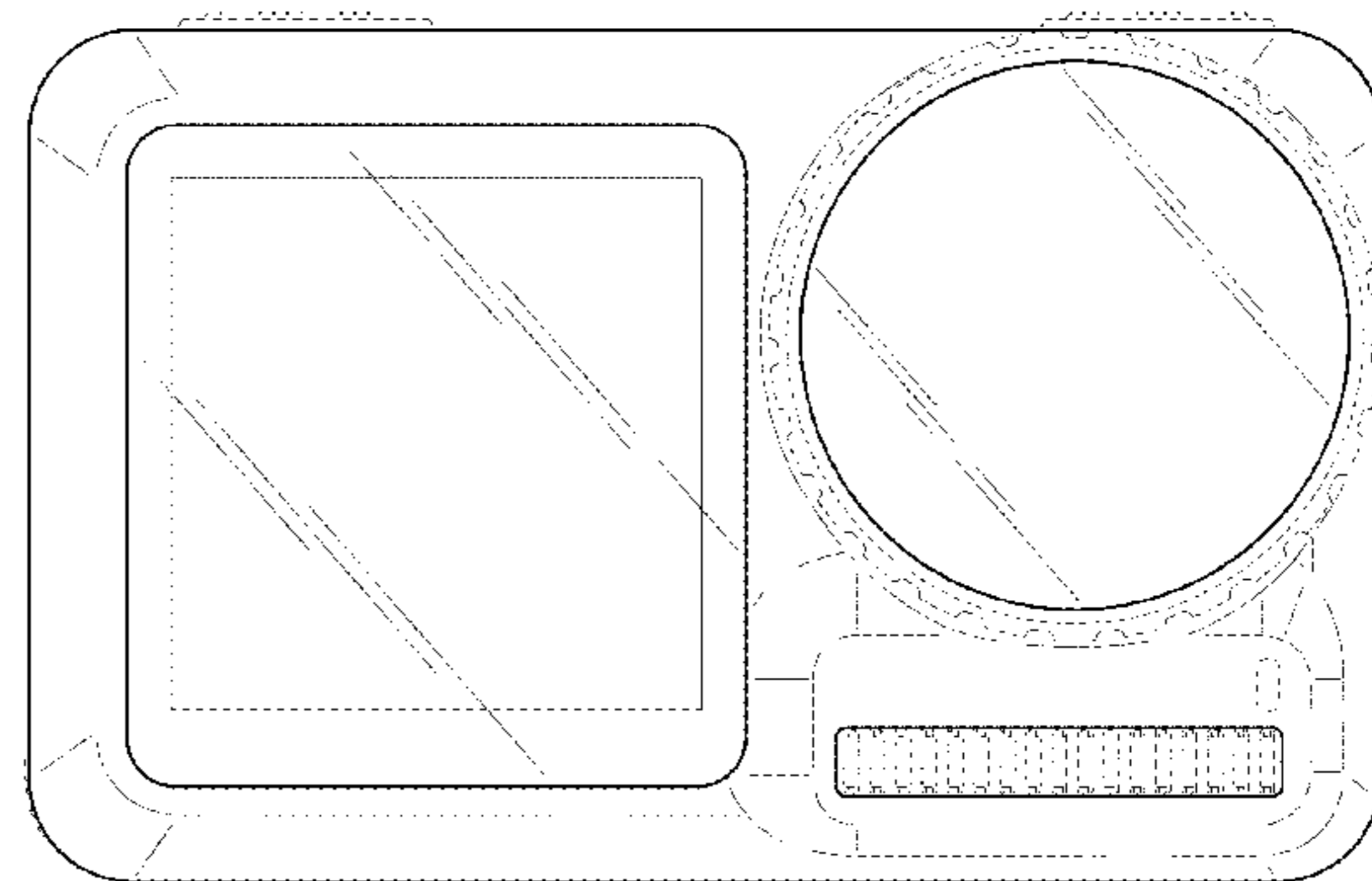
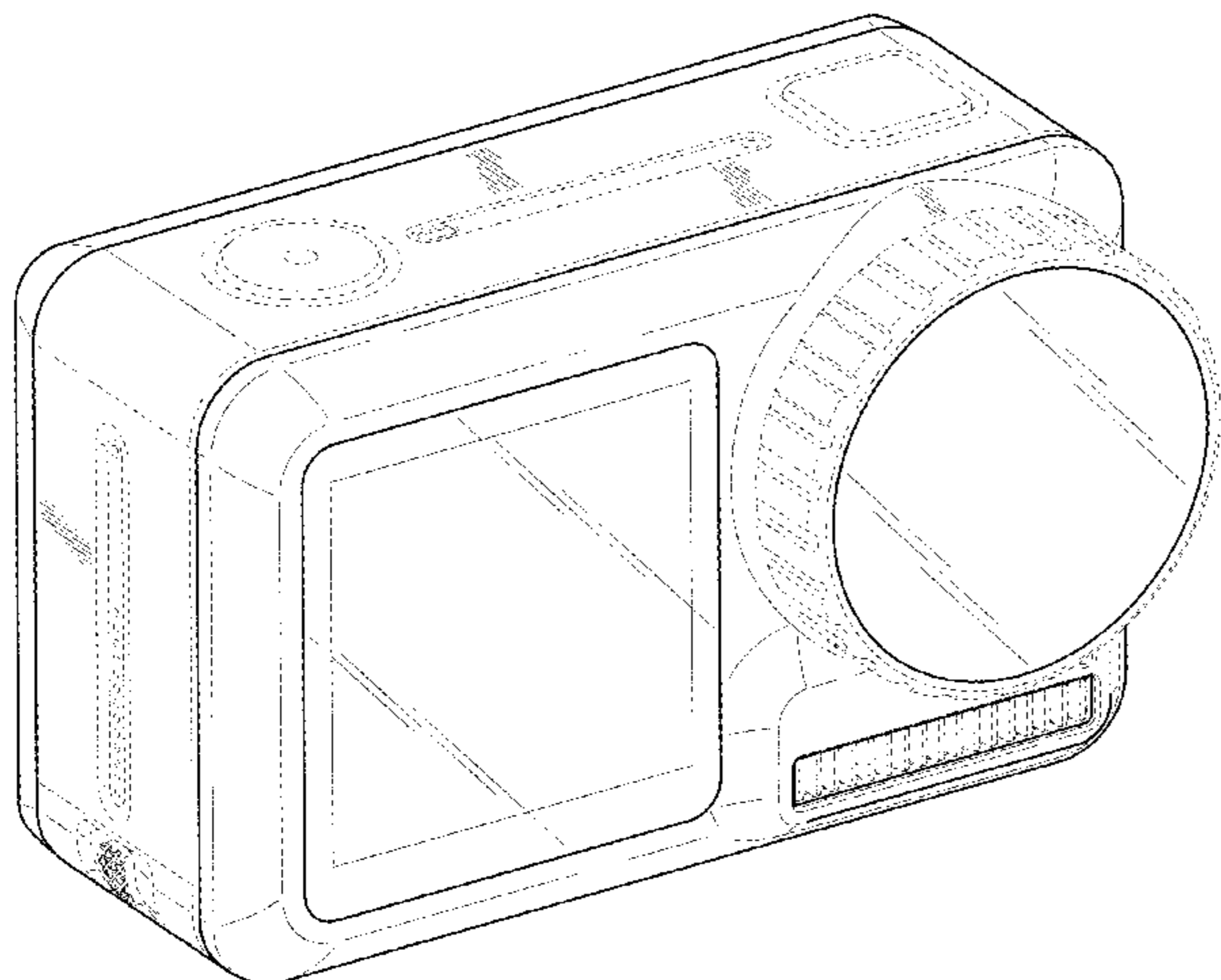
FIG. 6 is a right side view thereof;

FIG. 7 is a top view thereof; and,

FIG. 8 is a bottom view thereof.

The broken lines in the figures show portions of the camera that form no part of the claimed design.

1 Claim, 8 Drawing Sheets



(56)

References Cited

U.S. PATENT DOCUMENTS

D750,146 S	2/2016	Costa et al.	
D750,686 S *	3/2016	Chen	D16/218
D751,131 S	3/2016	Woodman et al.	
D751,133 S	3/2016	Gioscia et al.	
D751,135 S	3/2016	Bould et al.	
D754,238 S	4/2016	Woodman	
D755,874 S *	5/2016	Yang	D16/202
D758,467 S *	6/2016	Zhang	D16/202
D760,309 S	6/2016	Parfitt et al.	
D766,351 S *	9/2016	Li	D16/202
D769,346 S	10/2016	Nguyen et al.	
D772,966 S *	11/2016	Song	D16/200
D773,546 S	12/2016	Nguyen et al.	
D775,254 S	12/2016	Parfitt et al.	
D776,741 S	1/2017	Parfitt et al.	
D777,821 S	1/2017	Gioscia et al.	
D778,335 S	2/2017	Gioscia et al.	
D778,336 S	2/2017	Gioscia et al.	
D785,695 S	5/2017	Woodman et al.	
D789,435 S	6/2017	Nguyen et al.	
D790,001 S	6/2017	Parfitt et al.	
D790,002 S	6/2017	Nguyen et al.	
D794,696 S	8/2017	Nguyen et al.	
D800,202 S *	10/2017	Hu	D16/218
D803,925 S *	11/2017	Hoshi	D16/218
D805,117 S *	12/2017	Nguyen	D16/218
D806,155 S	12/2017	Parfitt et al.	
D806,775 S *	1/2018	Nguyen	D16/218
D816,753 S *	5/2018	Zhang	D16/202
D825,636 S *	8/2018	Hueber	D16/202
D840,463 S *	2/2019	Nguyen	D16/218

* cited by examiner

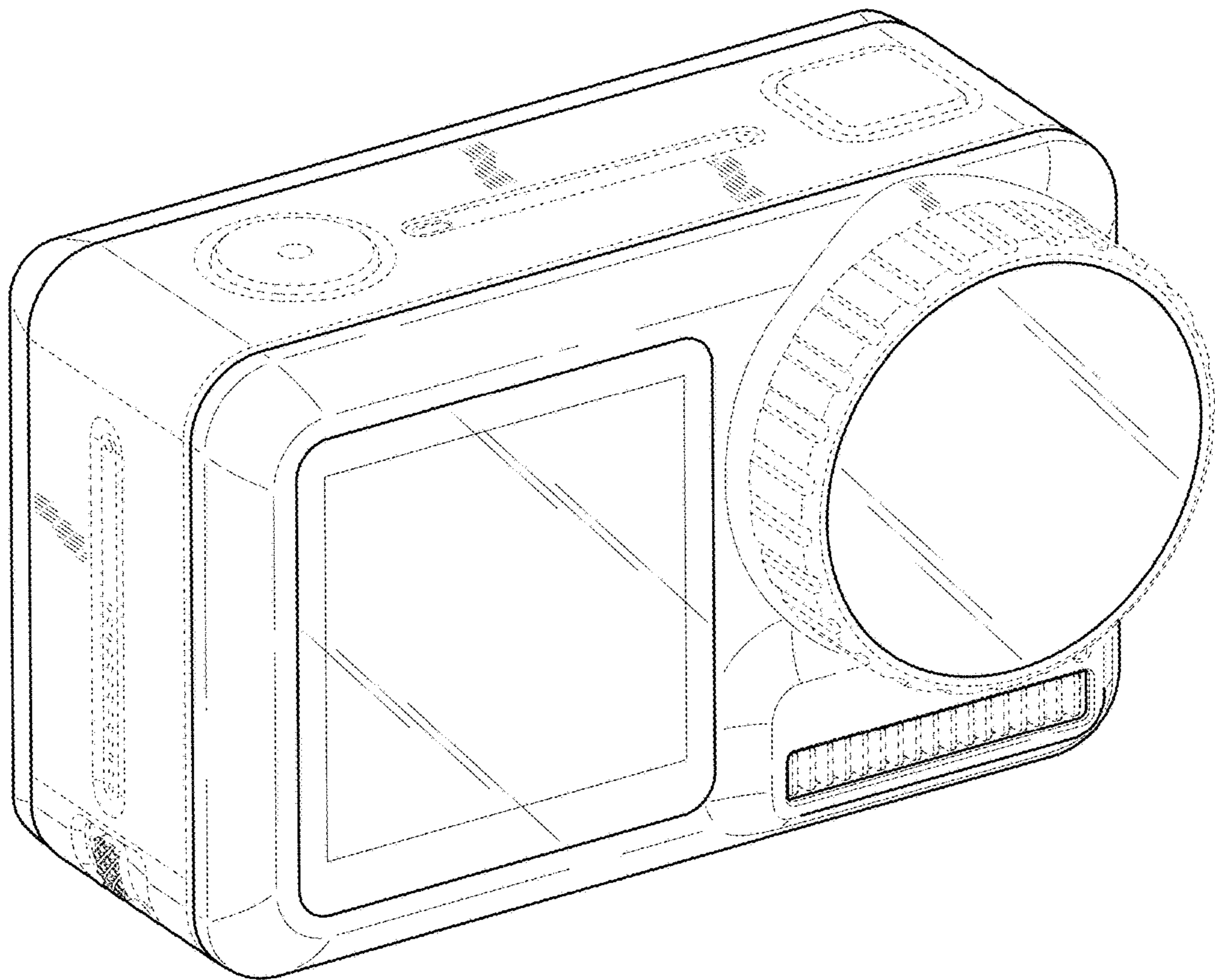


FIG. 1

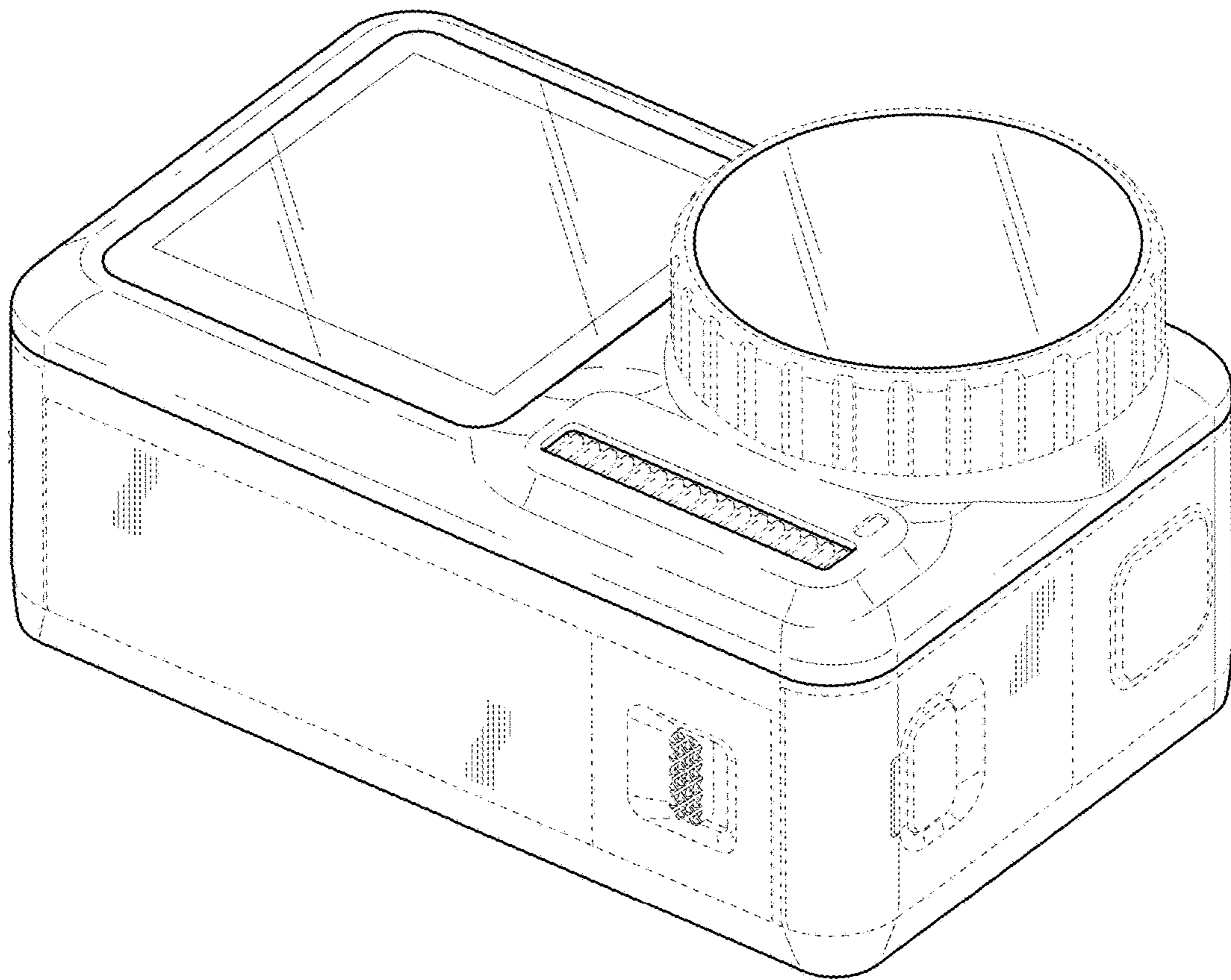


FIG. 2

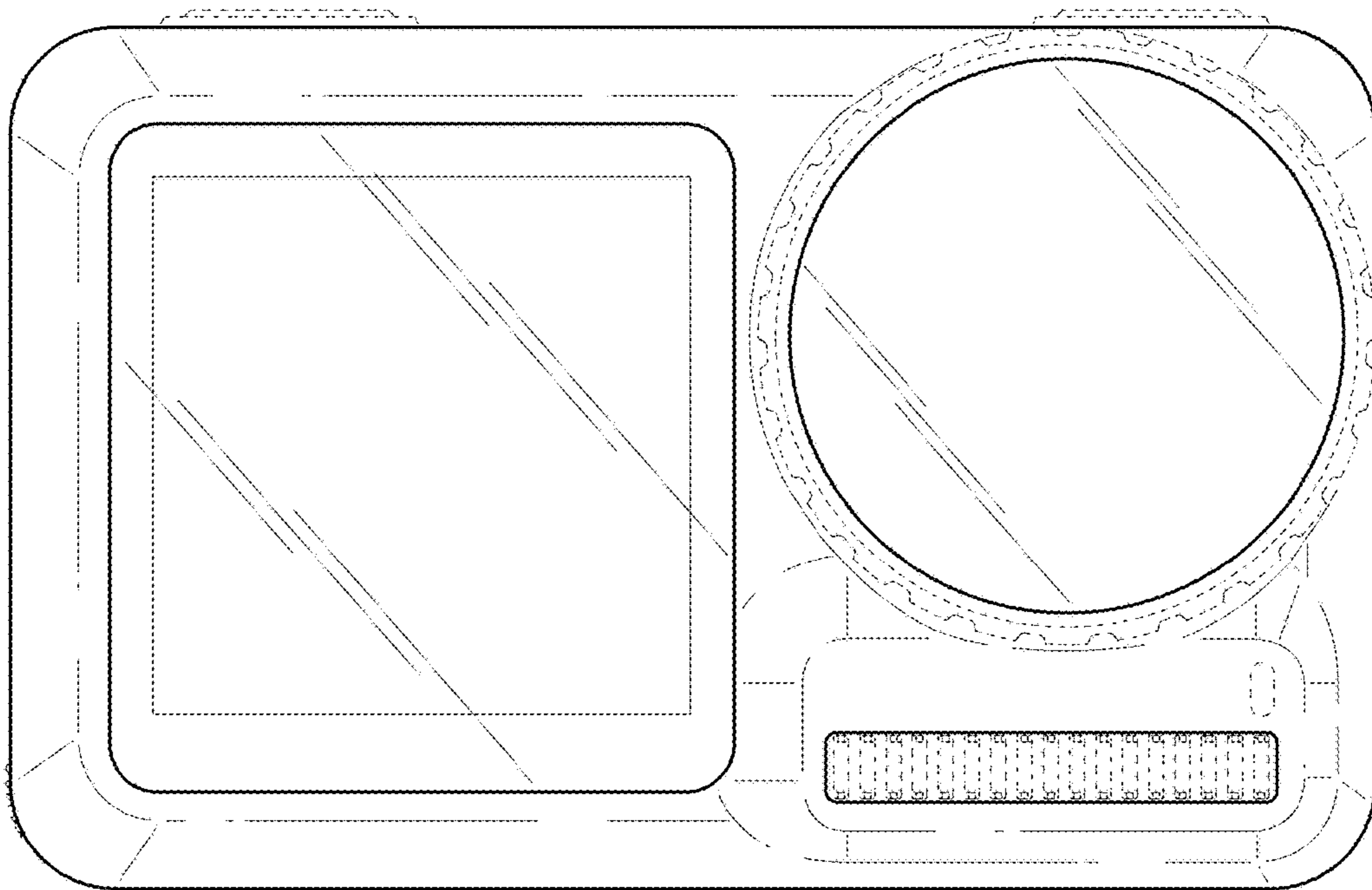


FIG. 3

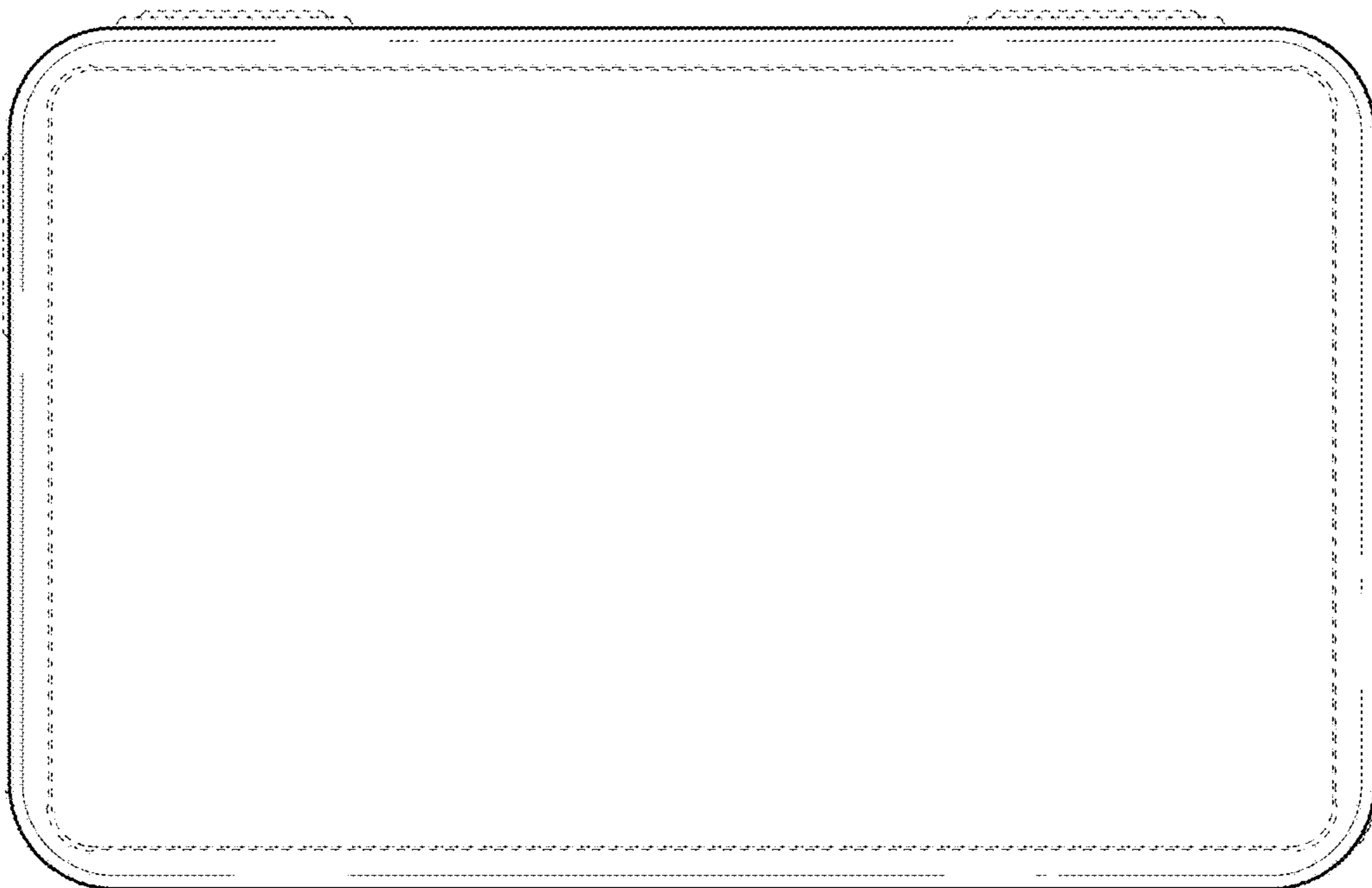


FIG. 4

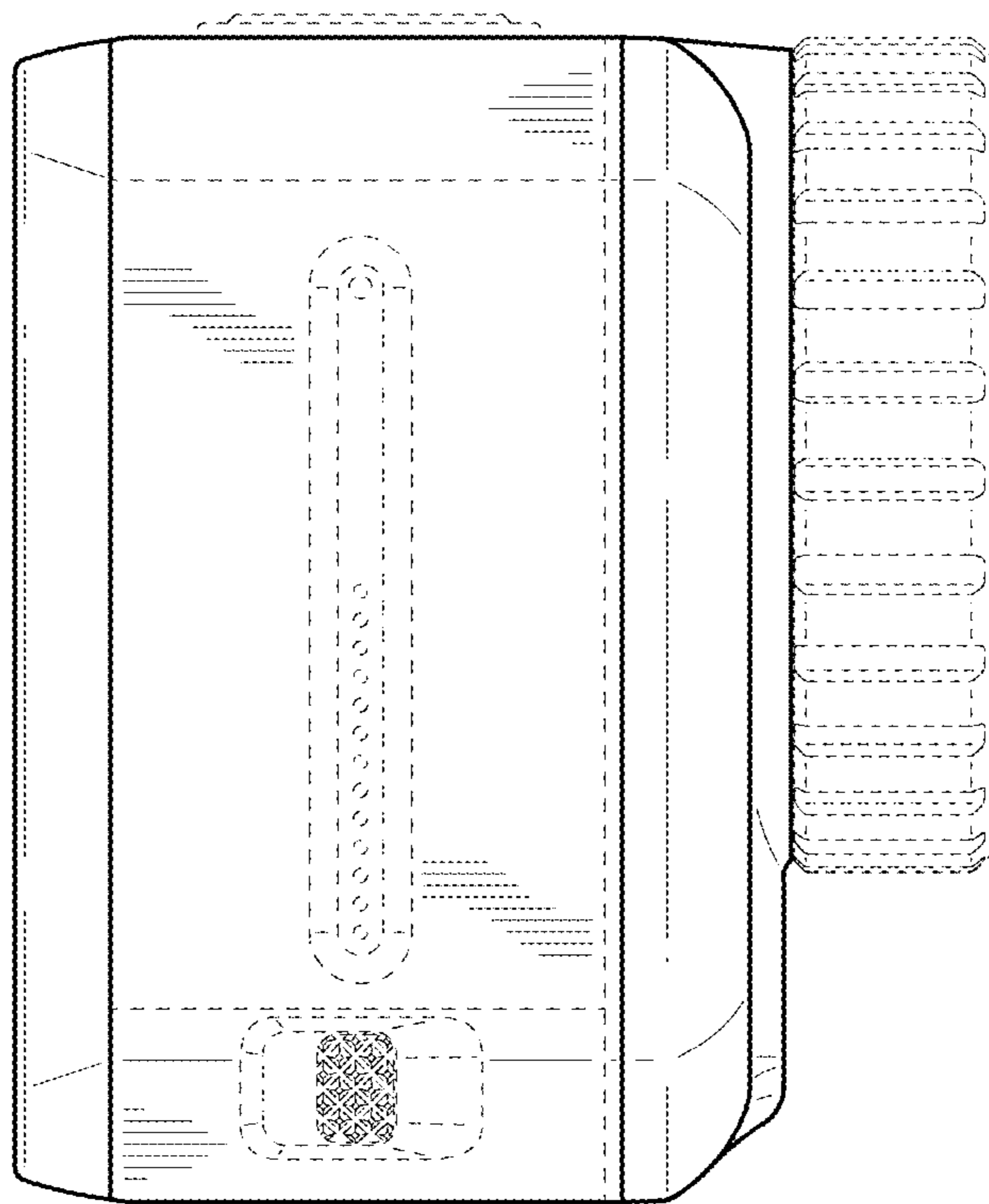


FIG. 5

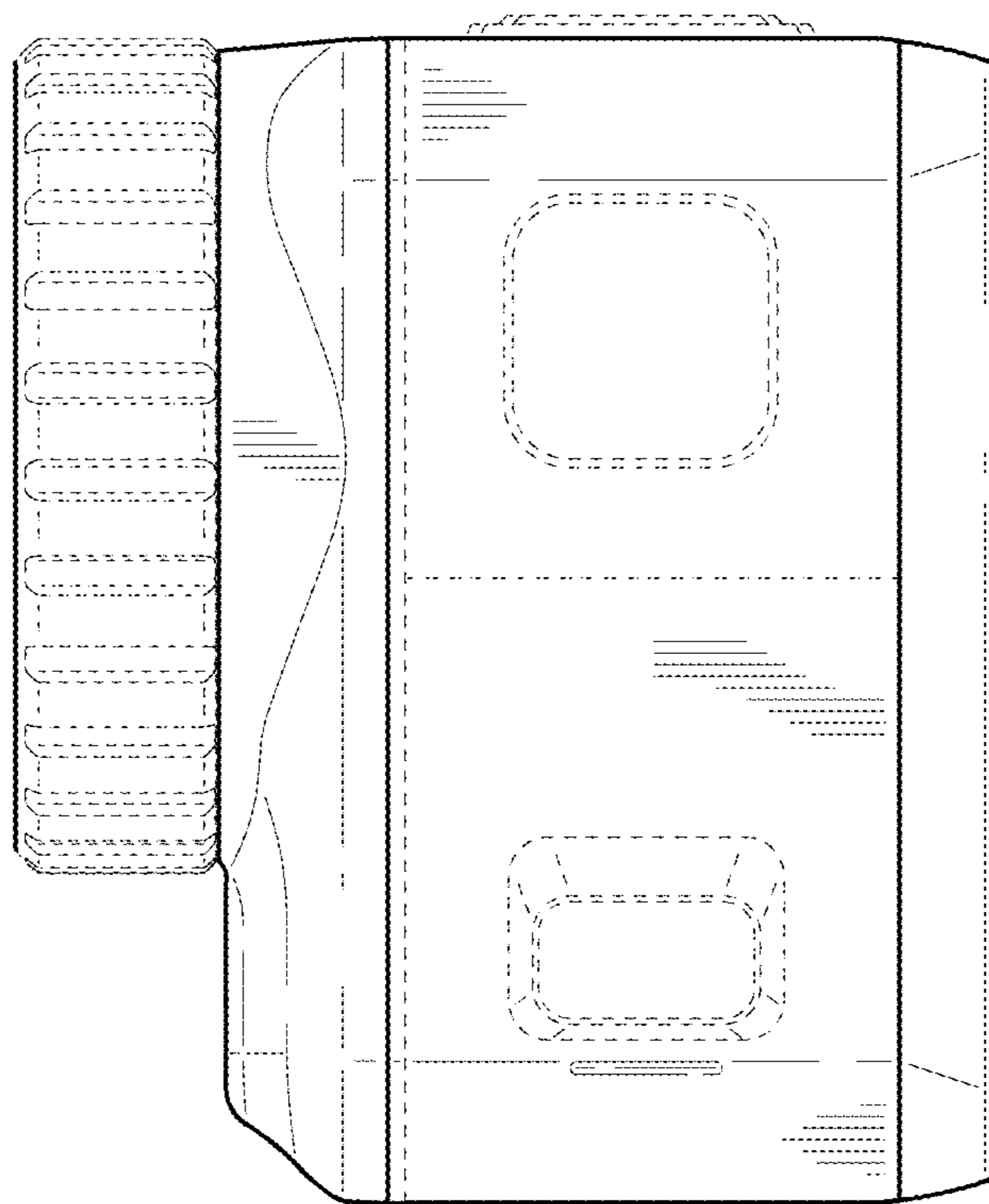


FIG. 6

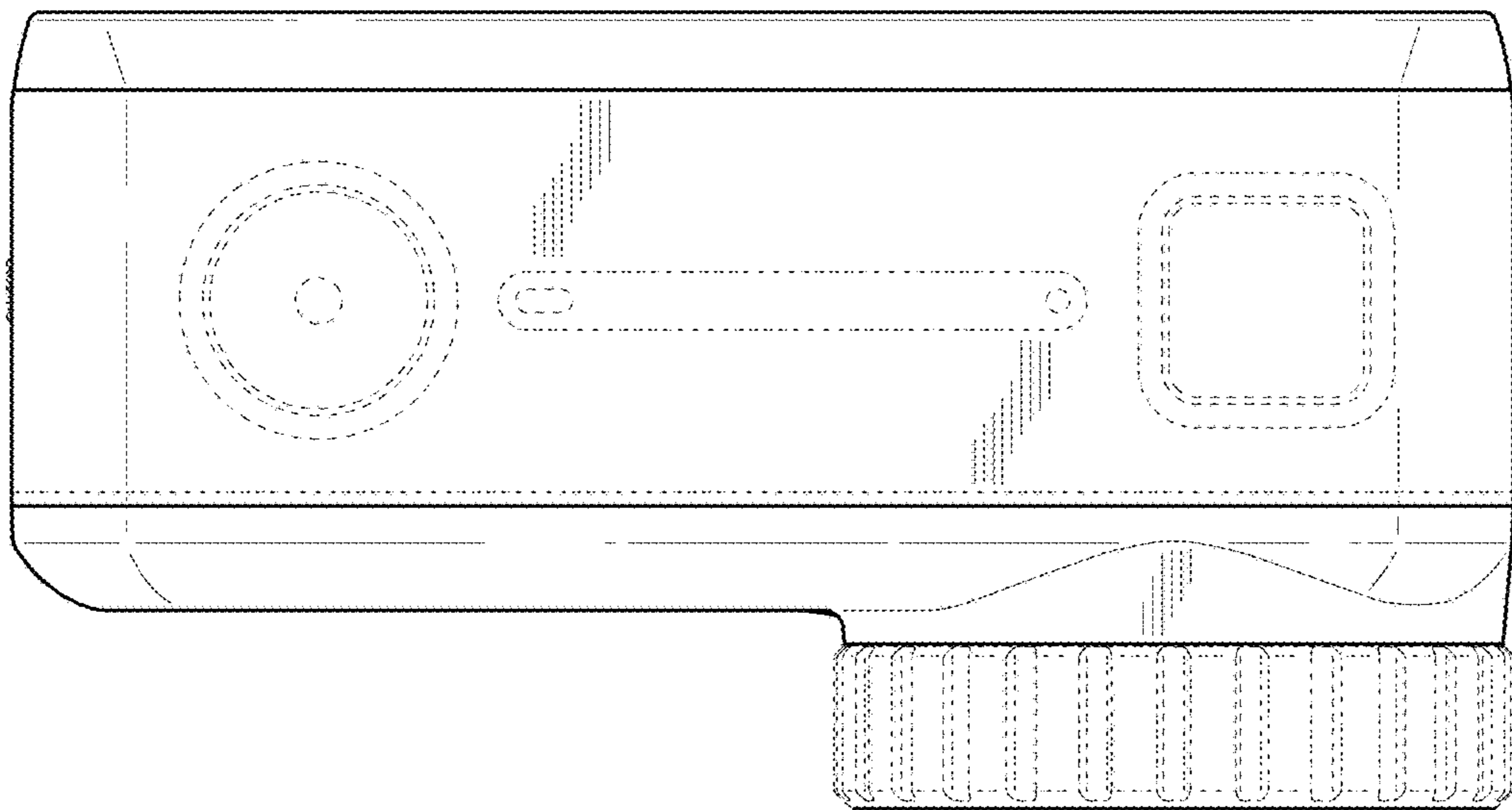


FIG. 7

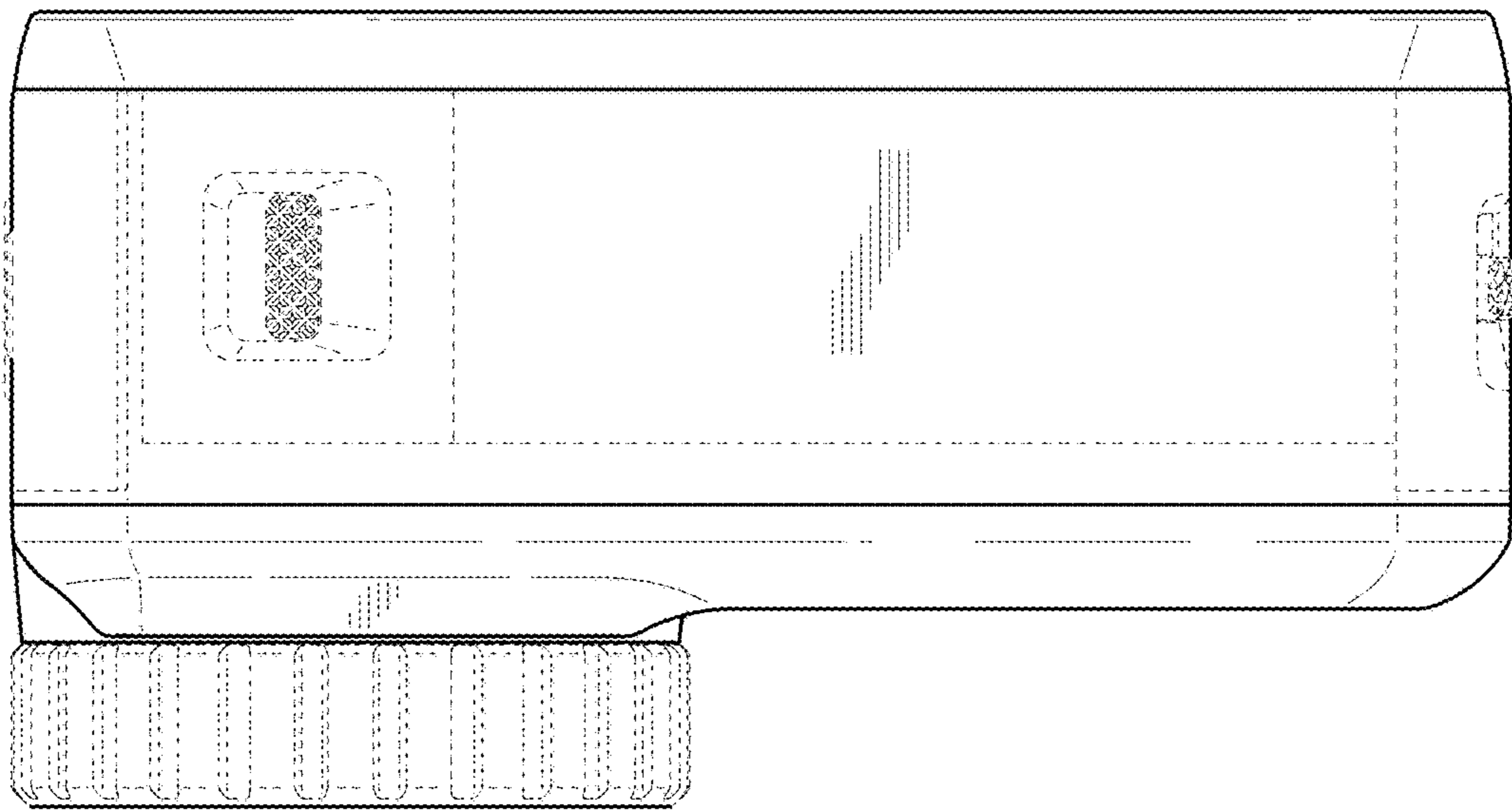


FIG. 8