



US00D870181S

(12) **United States Design Patent**  
**Geng et al.**

(10) **Patent No.:** **US D870,181 S**

(45) **Date of Patent:** **\*\* Dec. 17, 2019**

(54) **SURVEILLANCE CAMERA**

(71) Applicant: **Honeywell International Inc.**,  
Morristown, NJ (US)

(72) Inventors: **Junwei Geng**, Shanghai (CN); **Yun Li**,  
Shanghai (CN); **Dezhi Yang**, Shanghai  
(CN)

(73) Assignee: **Honeywell International Inc.**, Morris  
Plains, NJ (US)

(\*\*) Term: **15 Years**

(21) Appl. No.: **29/650,902**

(22) Filed: **Jun. 11, 2018**

(51) **LOC (12) Cl.** ..... **16-01**

(52) **U.S. Cl.**

USPC ..... **D16/203**

(58) **Field of Classification Search**

USPC ..... D16/200–220, 131, 237, 242, 239, 250,  
D16/235, 130, 134, 136, 238;  
D14/138 C, 240, 248, 203.1, 203.3, 203.7,  
D14/218, 207; D10/104.1, 50, 65, 74,  
D10/70, 118.2; D26/28, 29, 34, 51, 52,  
D26/60, 61, 722; D3/260; D30/109,  
D30/104, 106, 107; D22/136  
CPC . G02B 7/02; G02B 7/021; G02B 7/04; G02B  
7/14; G02B 7/003; G03B 17/00; G03B  
17/02; G03B 17/56; G03B 17/04; G03B  
17/14; G03B 17/08; G03B 15/03; G03B  
15/06; H04N 5/2251; H04N 5/2252;  
H04N 5/2253; H04N 5/2254; H04N 7/00;  
H04N 2101/00; F16M 13/00  
See application file for complete search history.

(56) **References Cited**

**U.S. PATENT DOCUMENTS**

D325,212 S \* 4/1992 Elberbaum ..... D16/219  
D374,189 S \* 10/1996 Hubben ..... D10/106.6  
D391,184 S \* 2/1998 Kawabata ..... D10/106.5

D443,713 S \* 6/2001 Benensohn ..... D26/72  
D491,968 S \* 6/2004 Isshiki ..... D16/203  
D508,067 S \* 8/2005 Deguchi ..... D16/202  
D513,028 S \* 12/2005 Maruyama ..... D16/203  
D556,235 S \* 11/2007 Todd ..... D16/200  
D560,244 S \* 1/2008 Naruki ..... D16/203

(Continued)

**FOREIGN PATENT DOCUMENTS**

CN 302300011 \* 1/2013  
CN 302322226 \* 2/2013

(Continued)

**OTHER PUBLICATIONS**

2MP WDR IP IR Micro Dome, published May 10, 2019 [online],  
[retrieved Jul. 19, 2019], Available from Internet, URL: <https://www.security.honeywell.com/me/product-repository/copy-of-h2w2gr1>.\*

*Primary Examiner* — Barbara Fox

*Assistant Examiner* — Mary Claire Ramirez

(74) *Attorney, Agent, or Firm* — Seager Tufte &  
Wickhem LLP

(57) **CLAIM**

The ornamental design for a surveillance camera, as shown  
and described.

**DESCRIPTION**

FIG. 1 is a front perspective view of a surveillance camera  
showing the new design;

FIG. 2 is a front elevation view thereof.

FIG. 3 is a rear elevation view thereof.

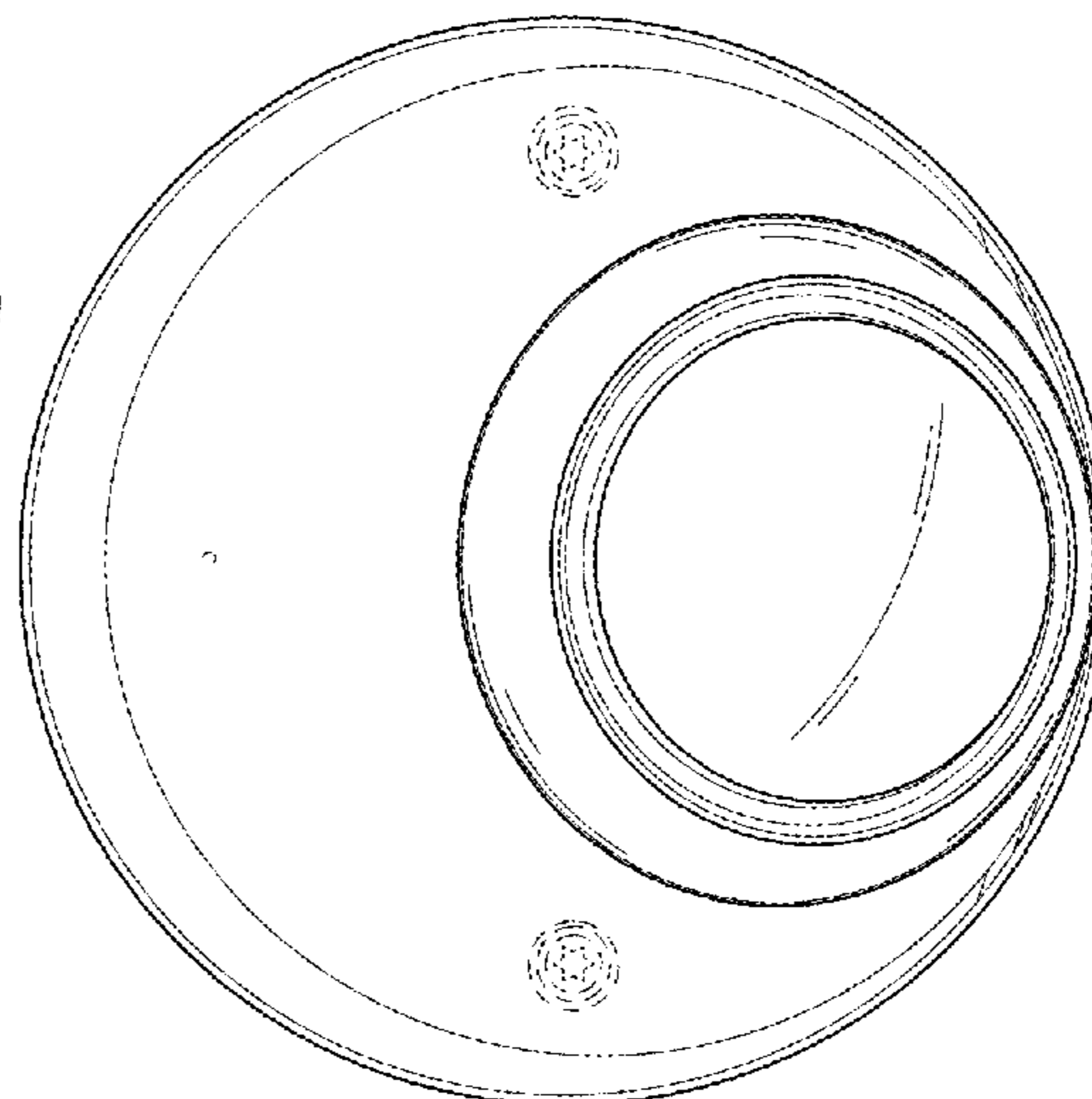
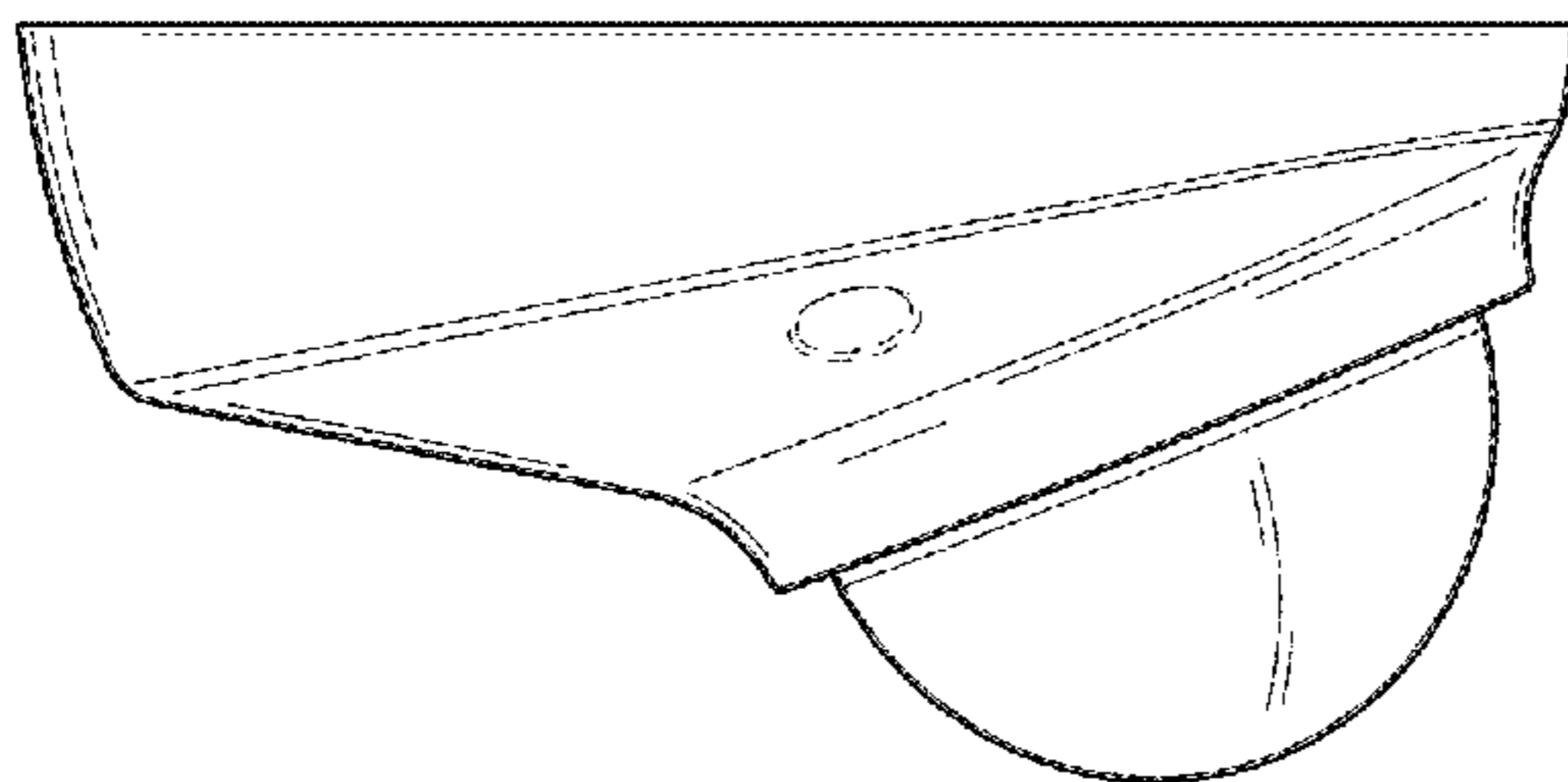
FIG. 4 is a right side elevation view thereof, the left side  
elevation view being a mirror image thereof; and,

FIG. 5 is a bottom plan view thereof.

The broken lines in the drawings depict subject matter of the  
surveillance camera that forms no part of the claimed design.

The top view of the surveillance camera forms no part of the  
claimed design

**1 Claim, 3 Drawing Sheets**



(56)

References Cited

U.S. PATENT DOCUMENTS

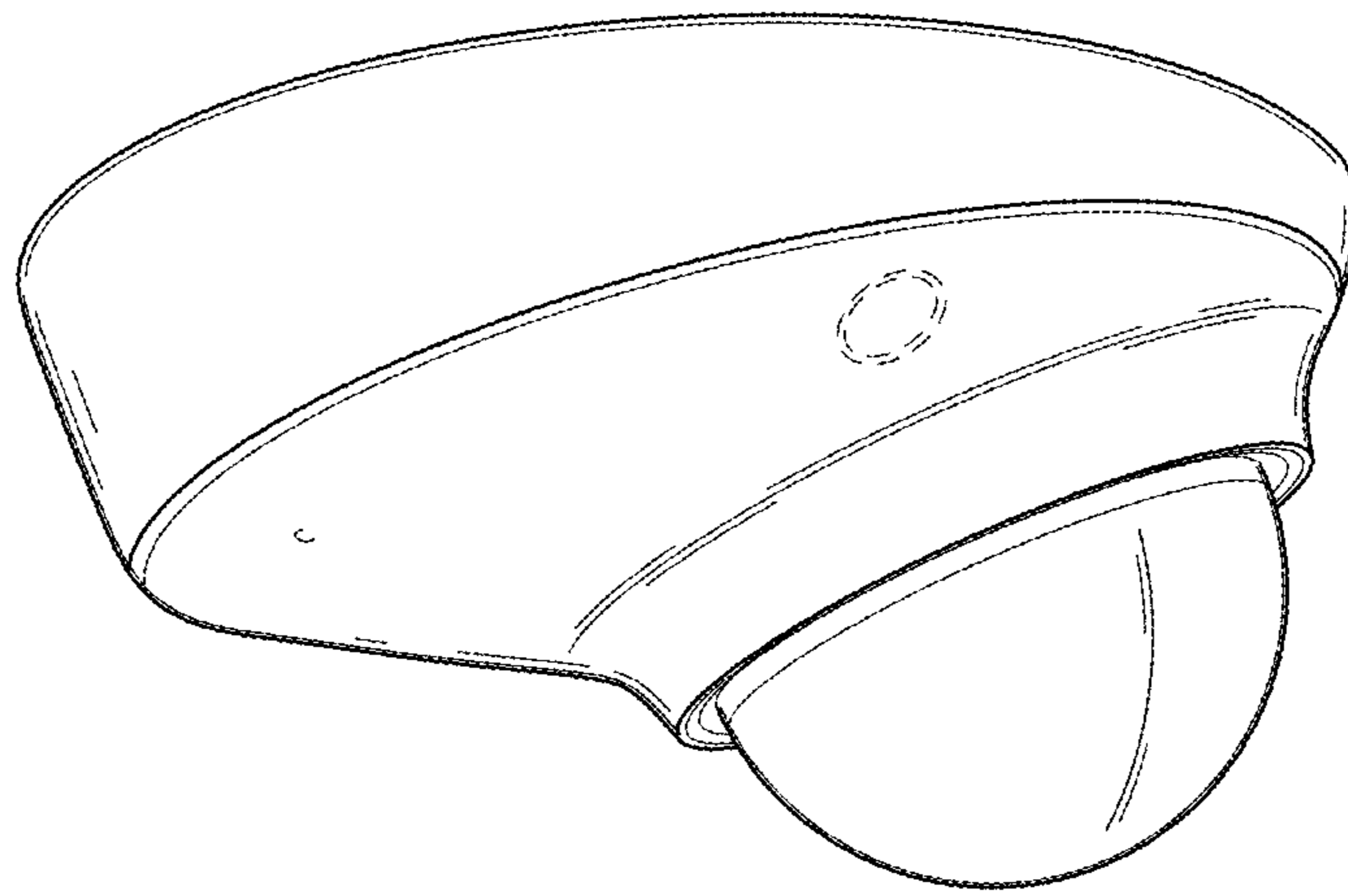
D561,220 S \* 2/2008 Alm ..... D16/203  
 D561,804 S \* 2/2008 Asai ..... D16/203  
 D564,557 S \* 3/2008 Yamamoto ..... D16/203  
 D575,810 S \* 8/2008 Alm ..... D16/203  
 D581,961 S \* 12/2008 Shioya ..... D16/203  
 D584,756 S \* 1/2009 Yamakawa ..... D16/203  
 D629,436 S \* 12/2010 Cheng ..... D16/203  
 D639,328 S \* 6/2011 Zeinoun ..... D16/203  
 D643,455 S \* 8/2011 Raa ..... D16/203  
 D676,887 S \* 2/2013 Nakashima ..... D16/203  
 D689,536 S \* 9/2013 Li ..... D16/203  
 D690,345 S \* 9/2013 Seo ..... D16/203  
 D719,994 S \* 12/2014 Wang ..... D16/203  
 D742,447 S \* 11/2015 Stark ..... D16/203  
 D744,676 S \* 12/2015 Lai ..... D26/28  
 D765,750 S \* 9/2016 Miller ..... D15/199  
 D775,258 S \* 12/2016 Hinkel ..... D16/219  
 D788,607 S \* 6/2017 Ji ..... D10/70  
 D796,566 S \* 9/2017 Bingleman ..... D16/203  
 D796,568 S \* 9/2017 Bingleman ..... D16/203  
 D798,934 S \* 10/2017 Wu ..... D16/203  
 D802,645 S \* 11/2017 Siminoff ..... D16/203

D815,173 S \* 4/2018 Hikima ..... D16/203  
 D829,801 S \* 10/2018 Park ..... D16/203  
 D838,767 S \* 1/2019 Siminoff ..... D16/219  
 2011/0064403 A1\* 3/2011 Nakano ..... G03B 17/02  
 396/535  
 2011/0090350 A1\* 4/2011 Oomori ..... H04N 5/2252  
 348/207.99  
 2016/0191813 A1\* 6/2016 Wu ..... H04N 5/2258  
 348/159  
 2017/0104908 A1\* 4/2017 Mukai ..... G03B 17/02  
 2018/0033270 A1\* 2/2018 Stark ..... G08B 13/1963  
 2018/0356710 A1\* 12/2018 Bingleman ..... G03B 17/26

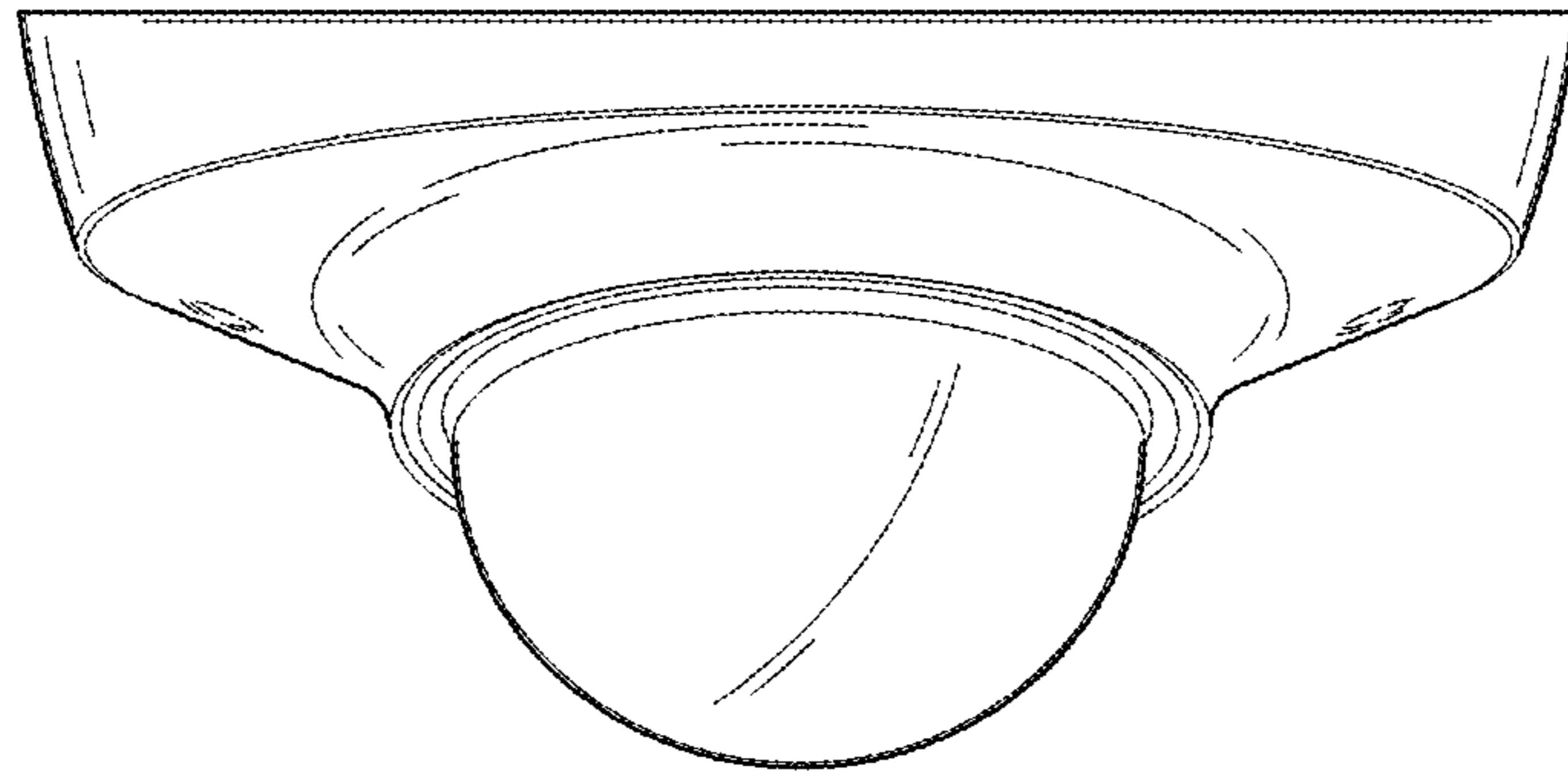
FOREIGN PATENT DOCUMENTS

CN 302431010 \* 5/2013  
 CN 303521269 \* 12/2015  
 CN 303888681 \* 10/2016  
 CN 303912813 \* 11/2016  
 CN 303979363 \* 12/2016  
 CN 304228635 \* 8/2017  
 CN 304354442 \* 11/2017  
 EM 005503984-0001 \* 11/2018  
 JP D1583132 \* 8/2017

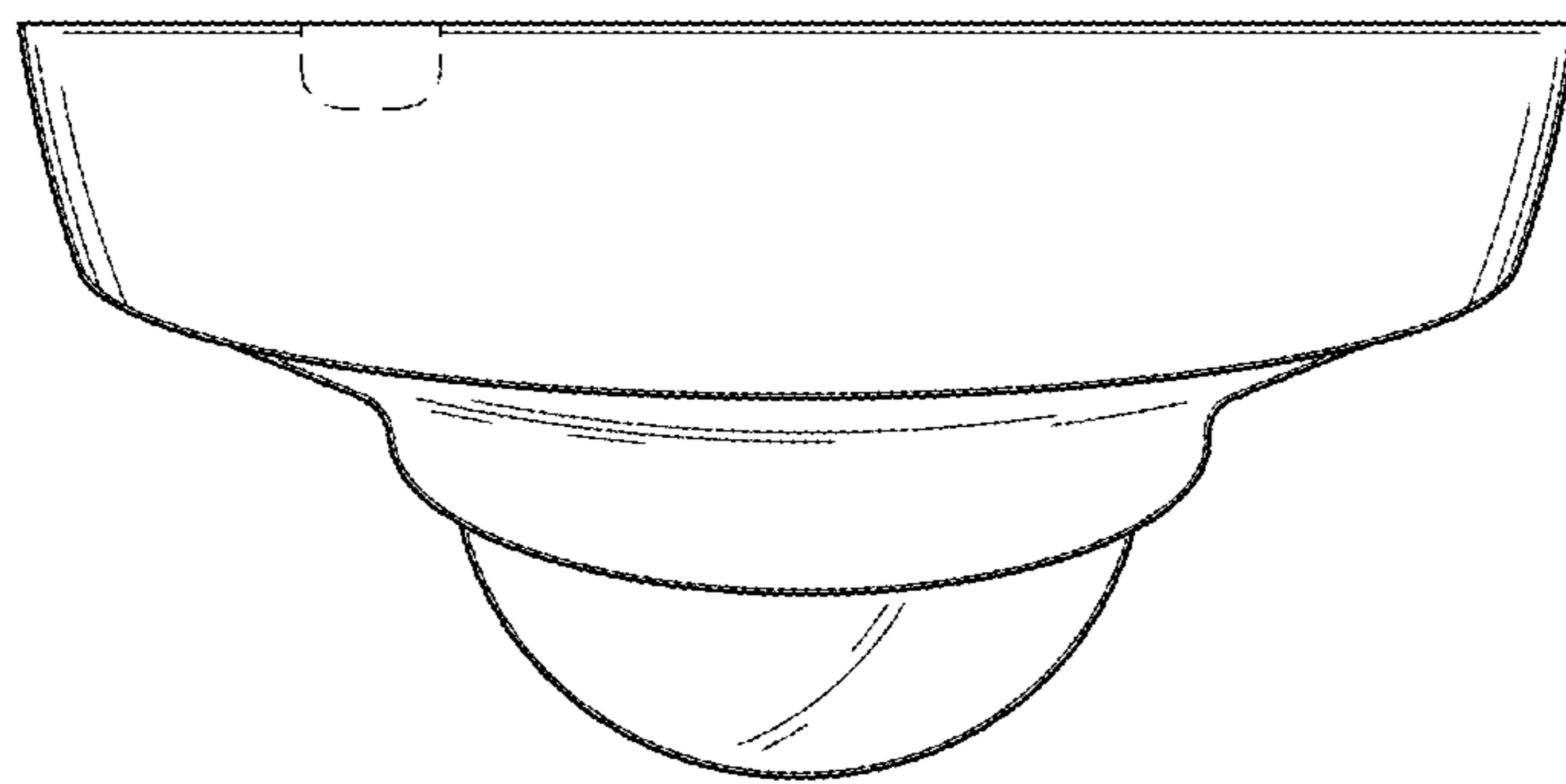
\* cited by examiner



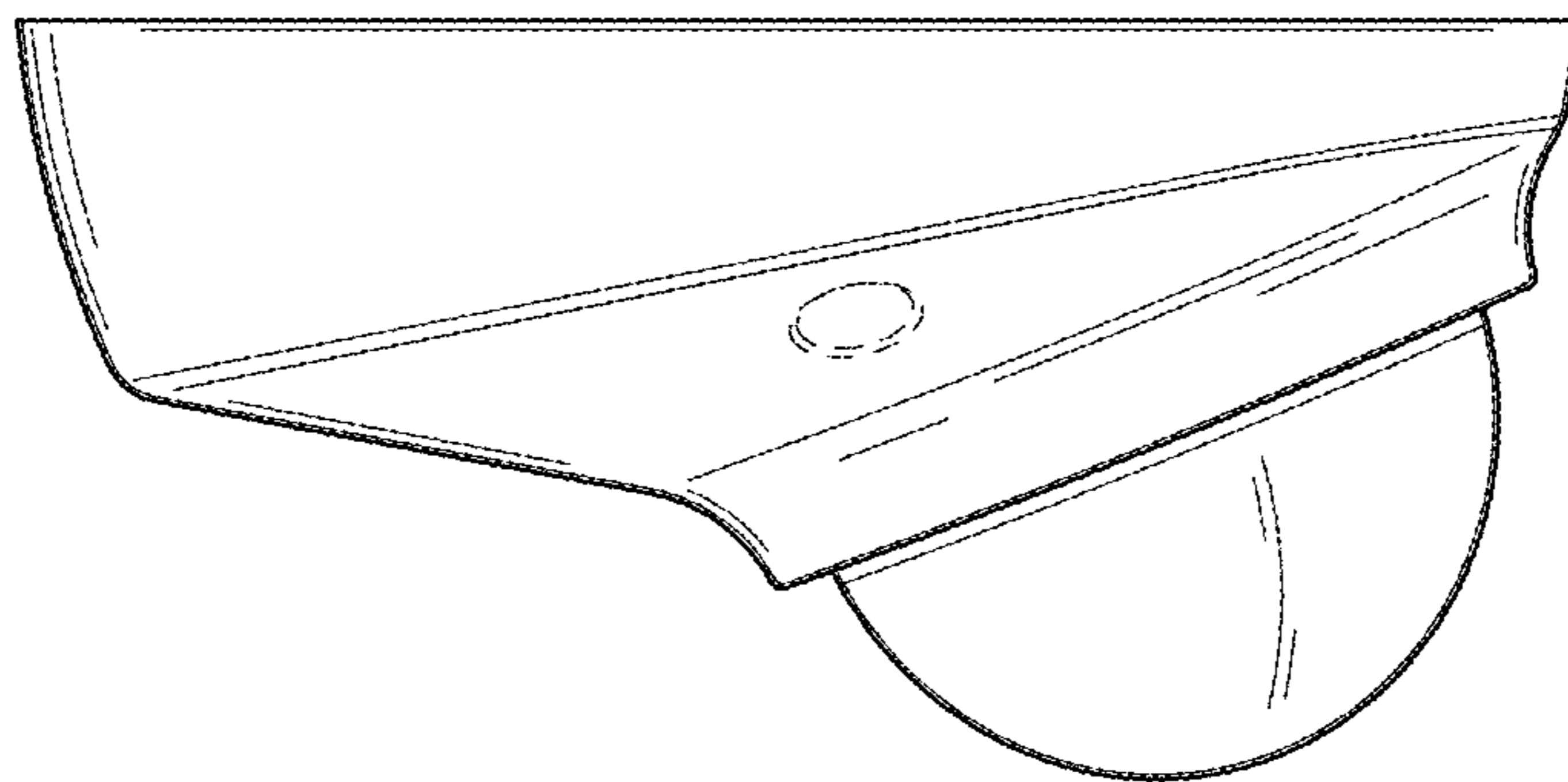
*FIG. 1*



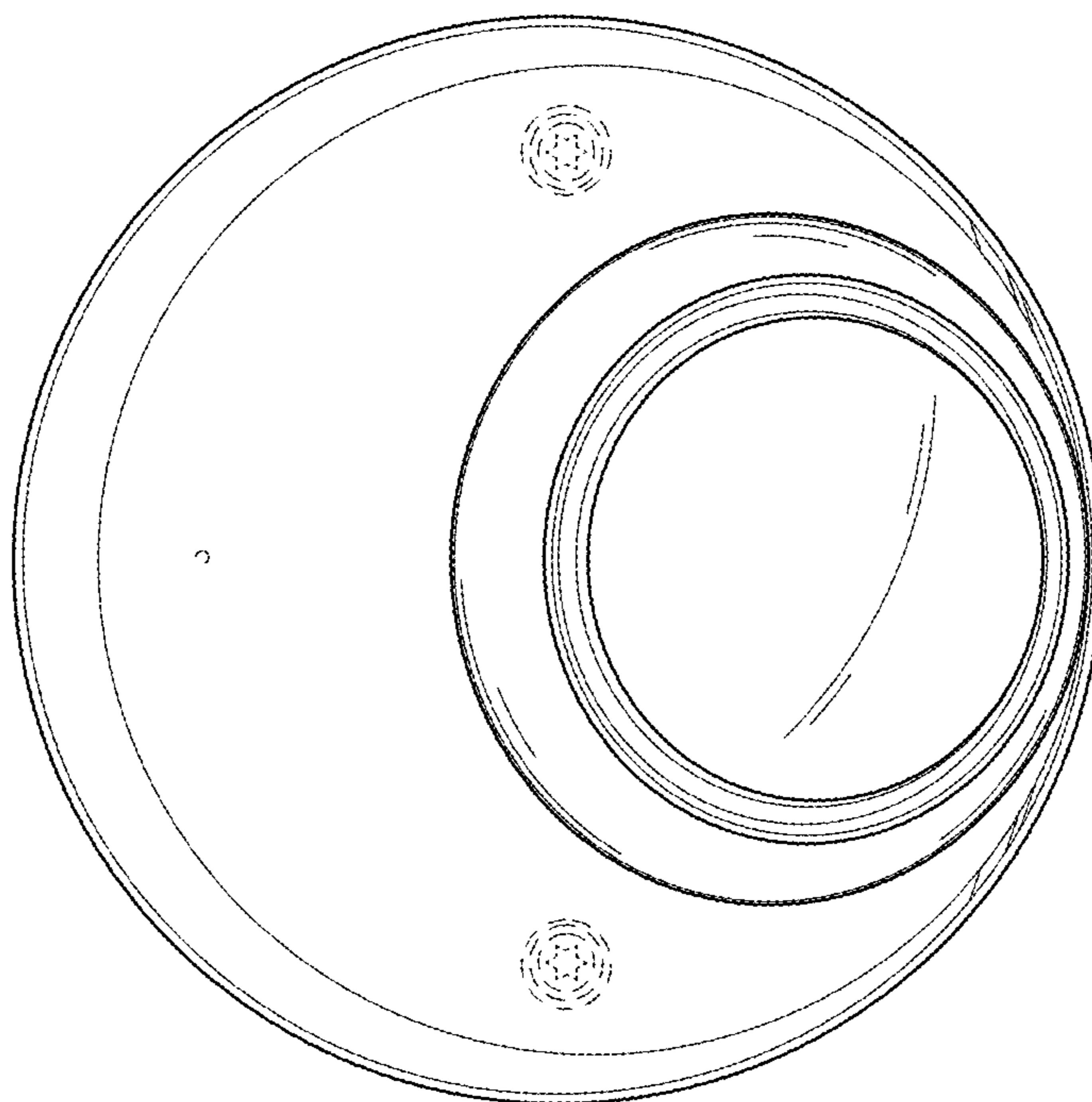
*FIG. 2*



*FIG. 3*



*FIG. 4*



*FIG. 5*