



US00D870179S

(12) **United States Design Patent** (10) **Patent No.:** **US D870,179 S**
Sawabe et al. (45) **Date of Patent:** **** Dec. 17, 2019**

(54) **CAMERA**

(56) **References Cited**

(71) Applicant: **MITSUMI ELECTRIC CO., LTD.**,
Tokyo (JP)

U.S. PATENT DOCUMENTS

(72) Inventors: **Takao Sawabe**, Miyota-machi (JP);
Hideaki Nasu, Miyota-machi (JP);
Akihiro Negishi, Tama (JP); **Satoshi**
Tsuji, Tama (JP); **Kenichi Furukawa**,
Tama (JP); **Yoshihide Majima**, Tama
(JP); **Satoshi Ajiki**, Tama (JP); **Kenji**
Zusai, Tama (JP)

D721,117 S *	1/2015	Hasuda	D16/219
D750,689 S *	3/2016	Oh	D16/134
D754,237 S *	4/2016	Oh	D16/219
D771,730 S *	11/2016	Yoshiyama	D16/219
D775,680 S *	1/2017	Yoshiyama	D16/219
D783,700 S *	4/2017	Tagawa	D16/219
D815,678 S *	4/2018	Sakai	D16/219
D818,622 S *	5/2018	Kunzendorf	D26/49
D823,510 S *	7/2018	Kunzendorf	D26/49
D835,702 S *	12/2018	Sakai	D16/219
D849,116 S *	5/2019	Lee	D16/219
D857,778 S *	8/2019	Sakai	D16/219
D858,611 S *	9/2019	Rice, II	D16/219

(73) Assignee: **MITSUMI ELECTRIC CO., LTD.**,
Tokyo (JP)

(**) Term: **15 Years**

* cited by examiner

(21) Appl. No.: **35/506,206**

Primary Examiner — Holly E Thurman

(22) Filed: **Jun. 8, 2018**

(74) *Attorney, Agent, or Firm* — Pearne & Gordon LLP

(80) **Hague Agreement Data**

(57) **CLAIM**

Int. Filing Date: **Jun. 8, 2018**

The ornamental design for a camera, as shown and described.

Int. Reg. No.: **DM/102217**

Int. Reg. Date: **Jun. 8, 2018**

Int. Reg. Pub. Date: **Dec. 14, 2018**

DESCRIPTION

(30) **Foreign Application Priority Data**

Dec. 12, 2017 (JP) 2017-027699

(51) **LOC (12) Cl.** **16-01**

(52) **U.S. Cl.**
USPC **D16/202**

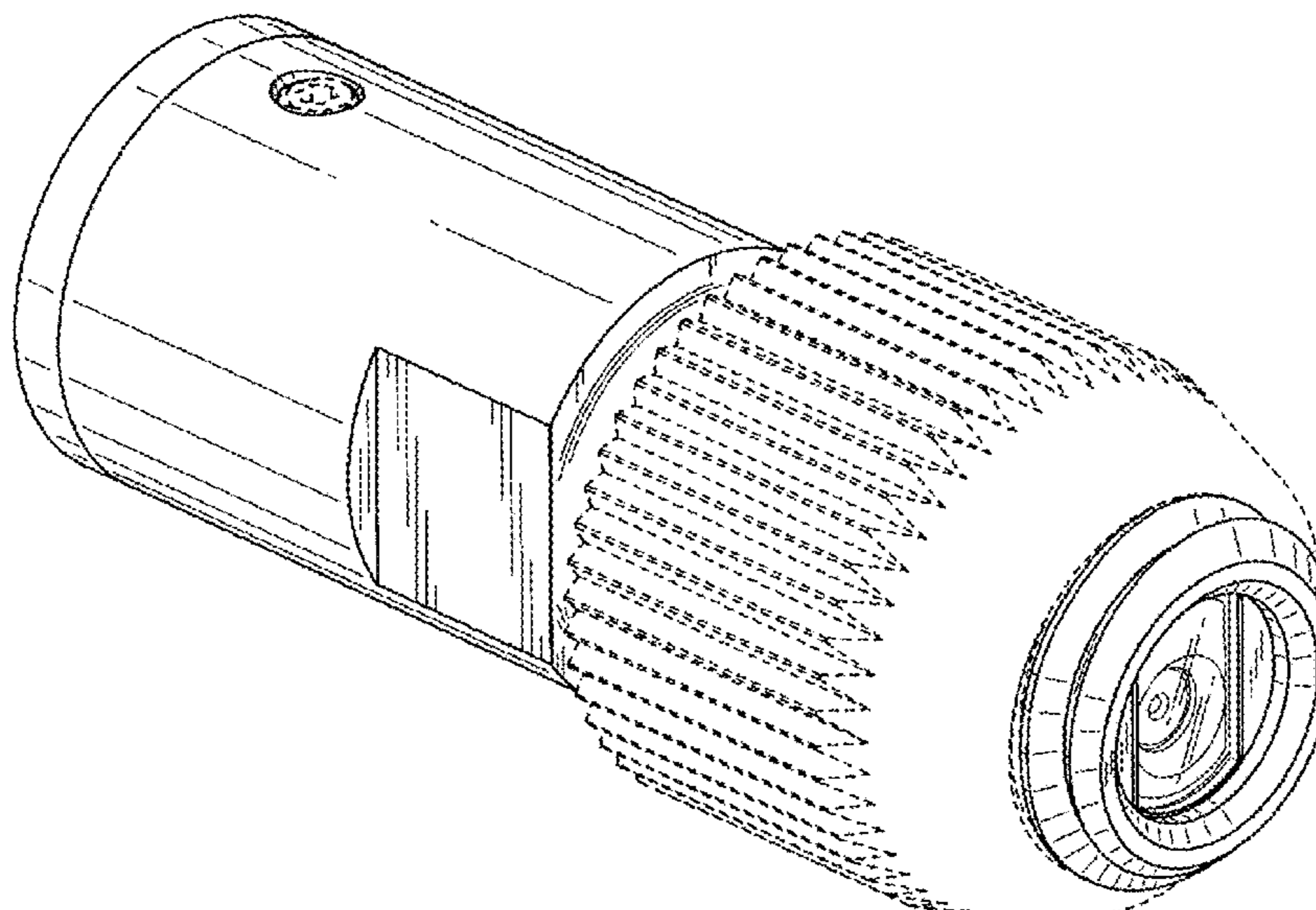
(58) **Field of Classification Search**
USPC D16/200, 202–206, 208, 218, 219, 242
CPC G03B 17/02; G03B 17/04; G03B 17/56;
G03B 17/14; G03B 19/04; H04N 5/2251;
H04N 5/2252; H04N 5/2253; H04N
5/2254

- 1. Camera
- 1.1 : Perspective
- 1.2 : Perspective
- 1.3 : Front
- 1.4 : Back
- 1.5 : Left
- 1.6 : Right
- 1.7 : Top
- 1.8 : Bottom

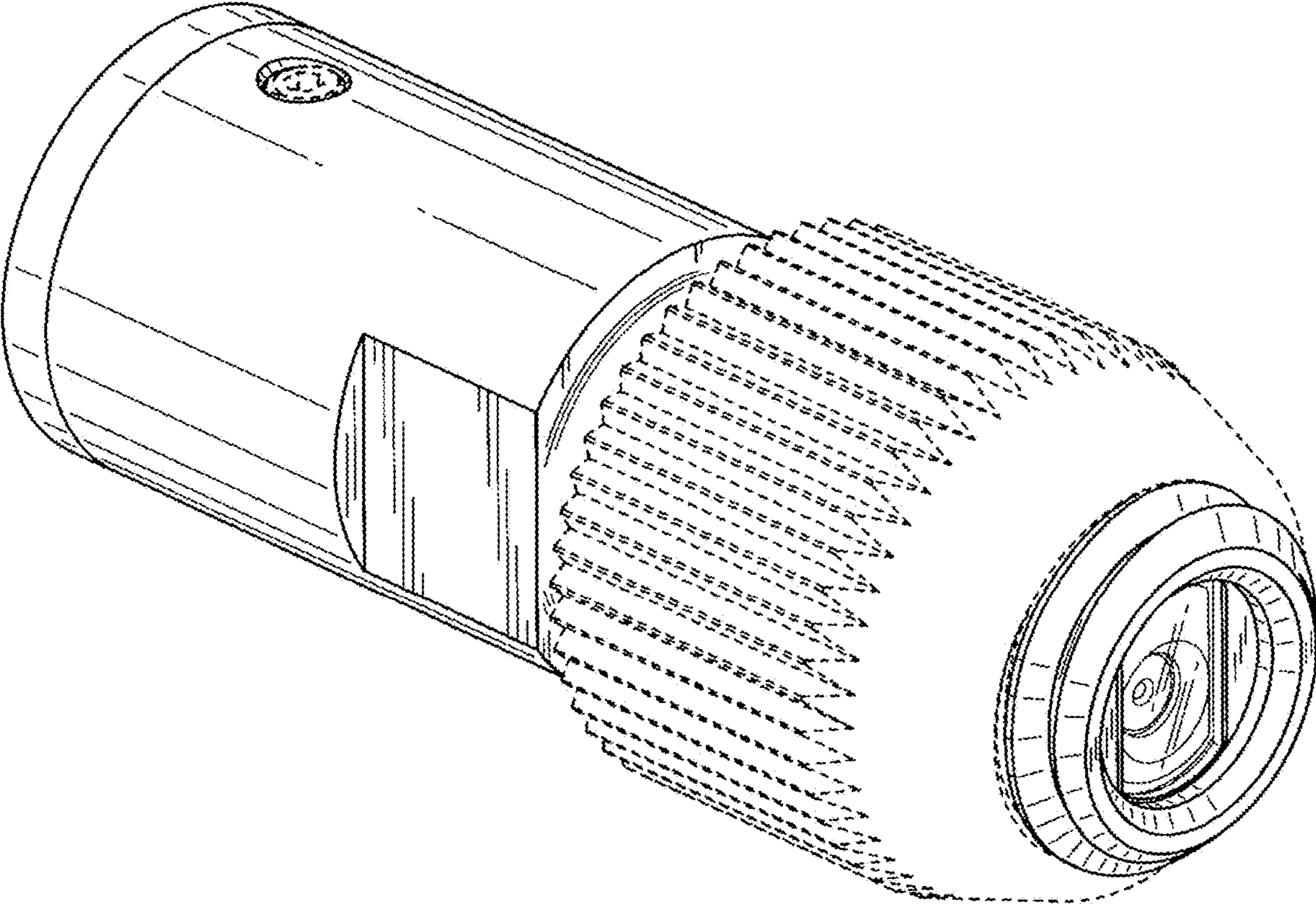
The broken lines depict portions of the reproductions are for environmental purposes only and form no part of the claimed design.

See application file for complete search history.

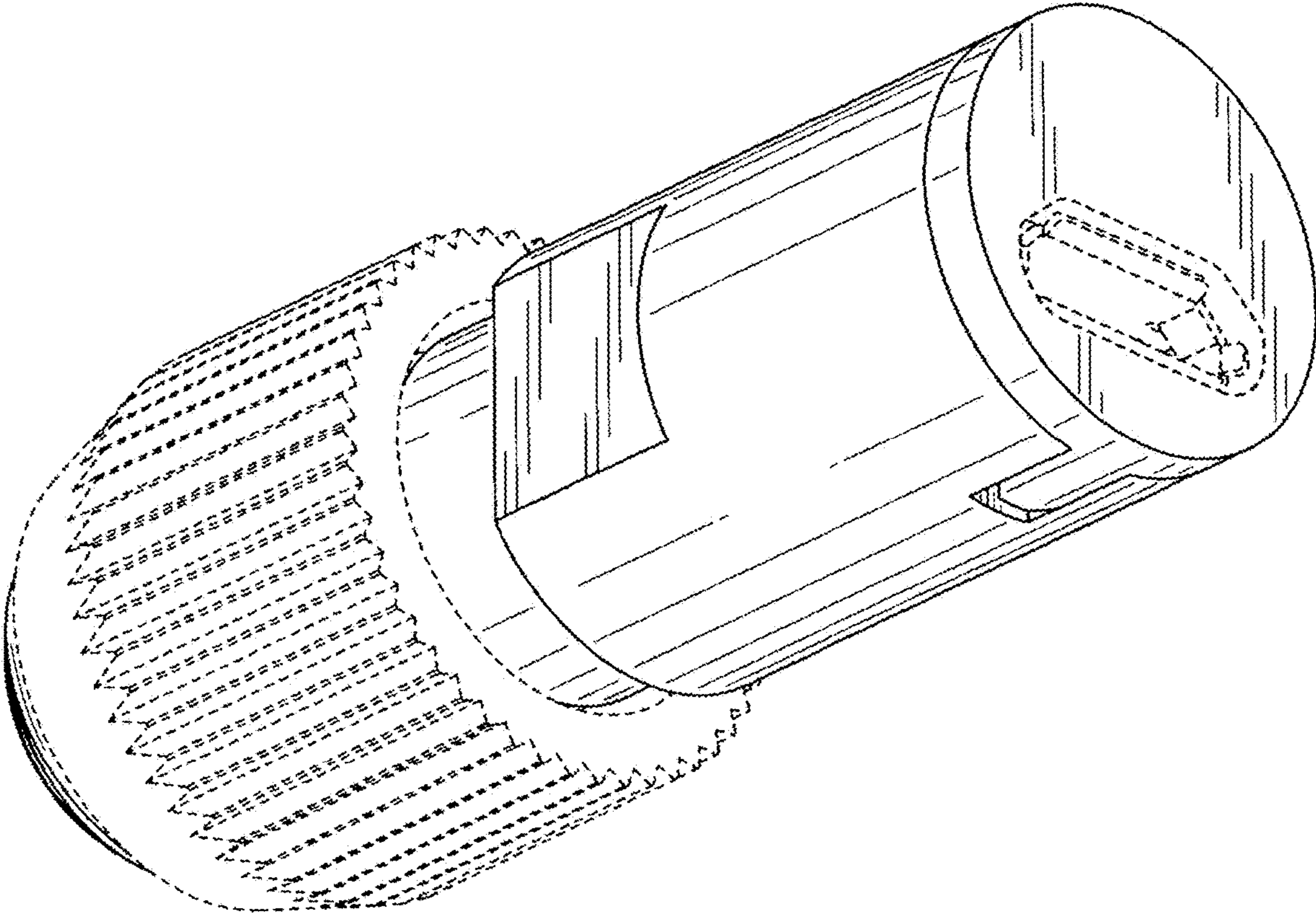
1 Claim, 8 Drawing Sheets



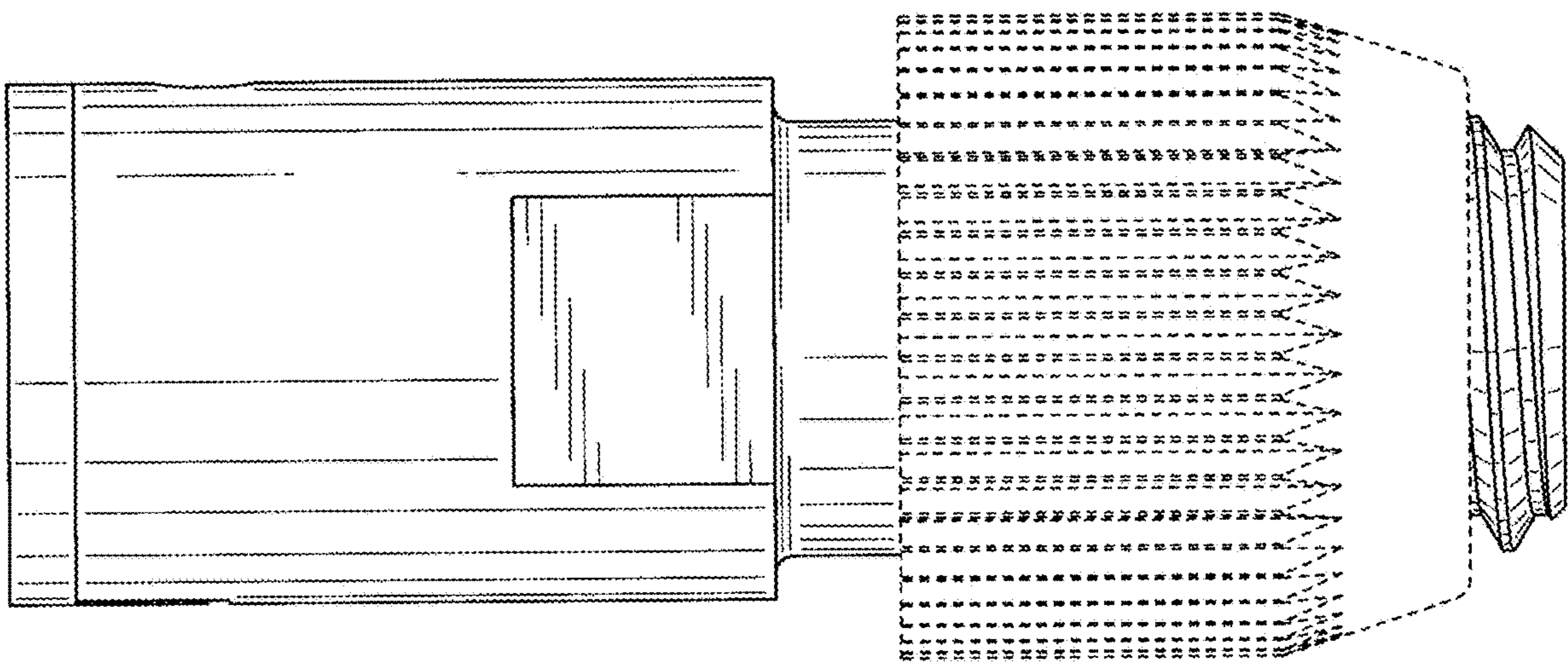
1.1



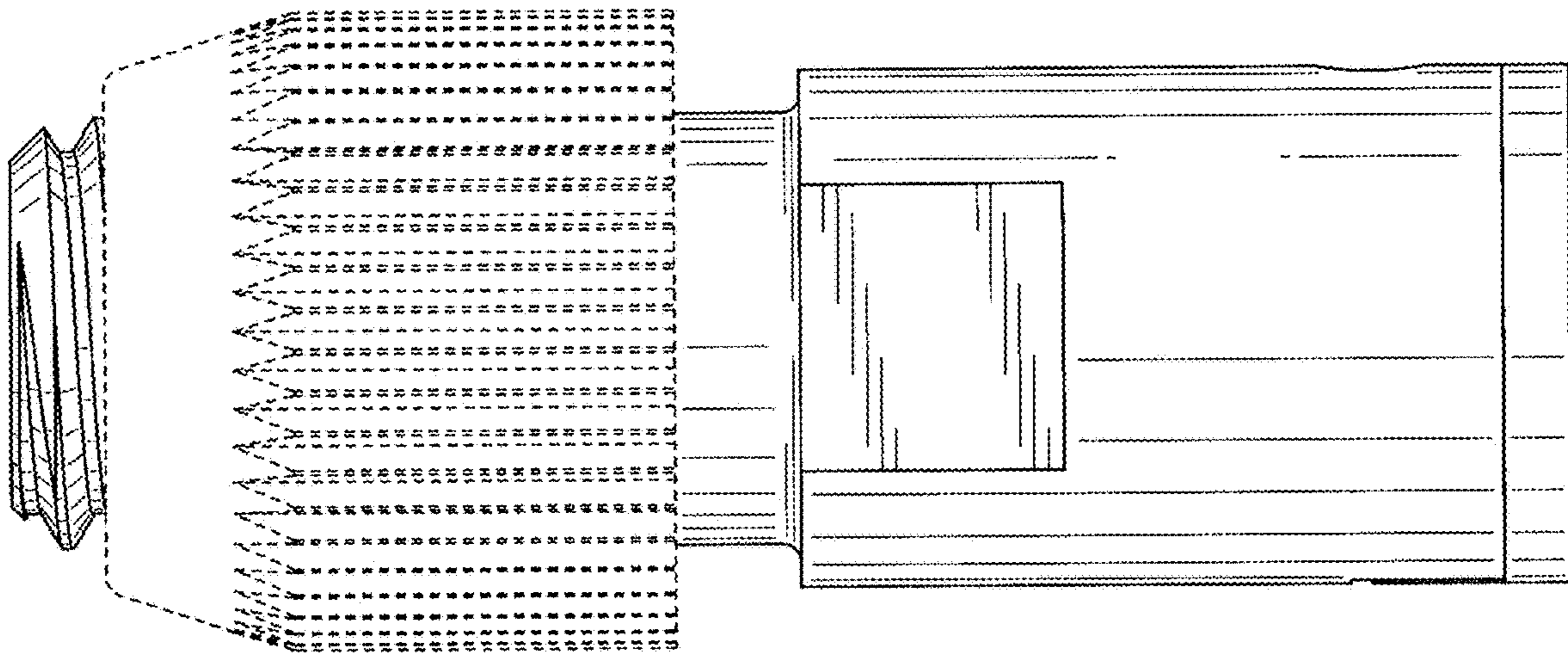
1.2



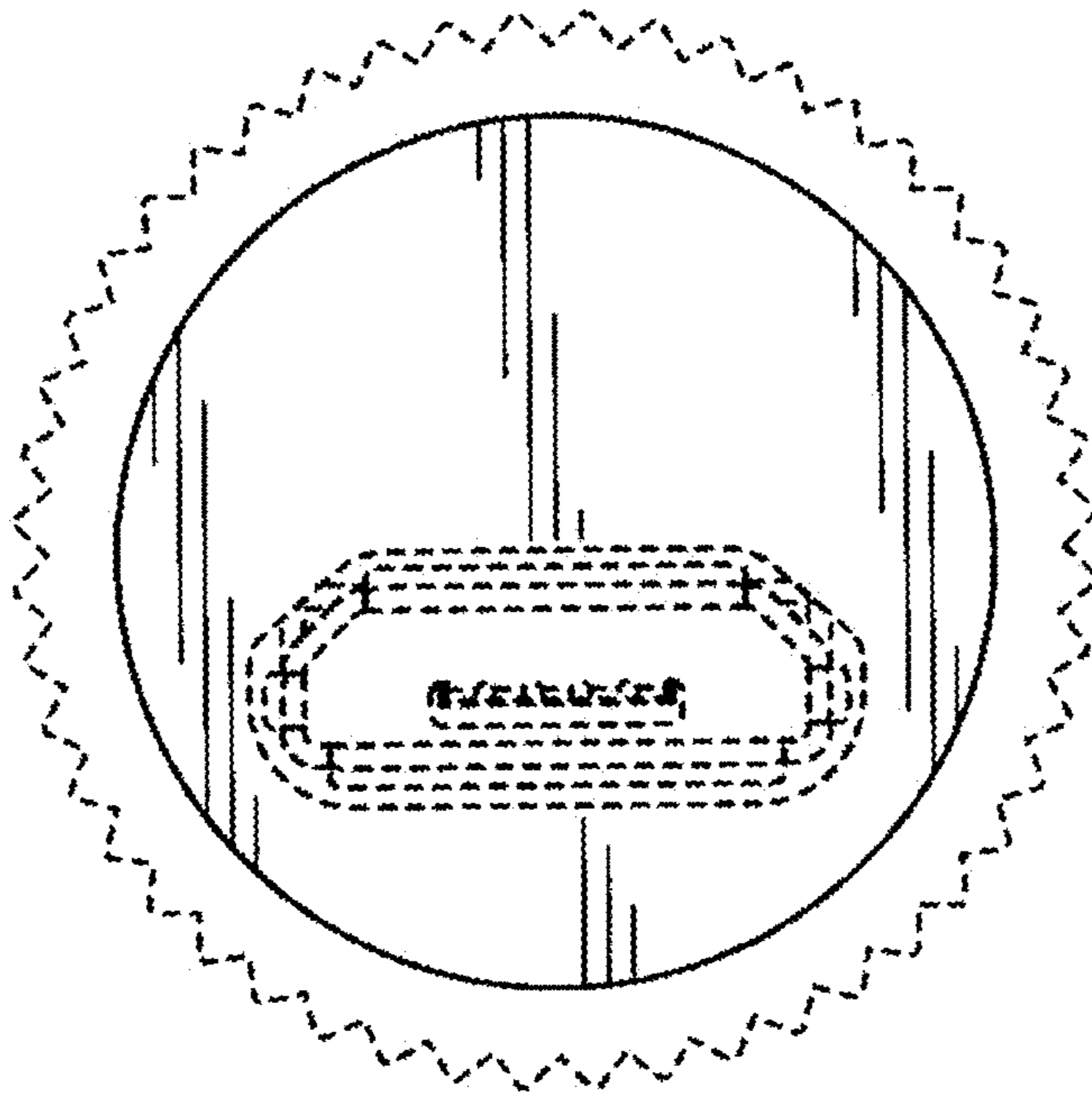
1.3



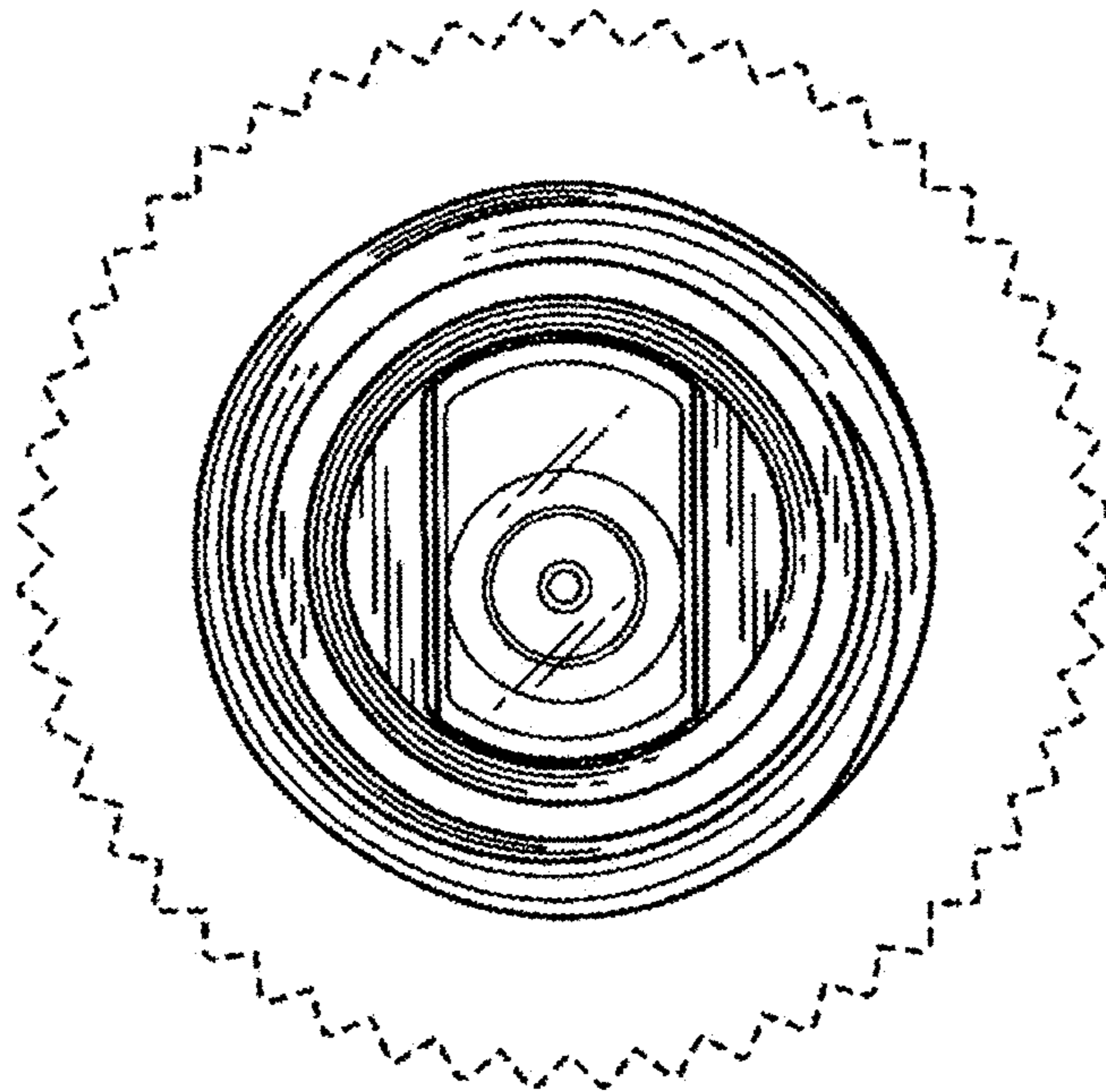
1.4



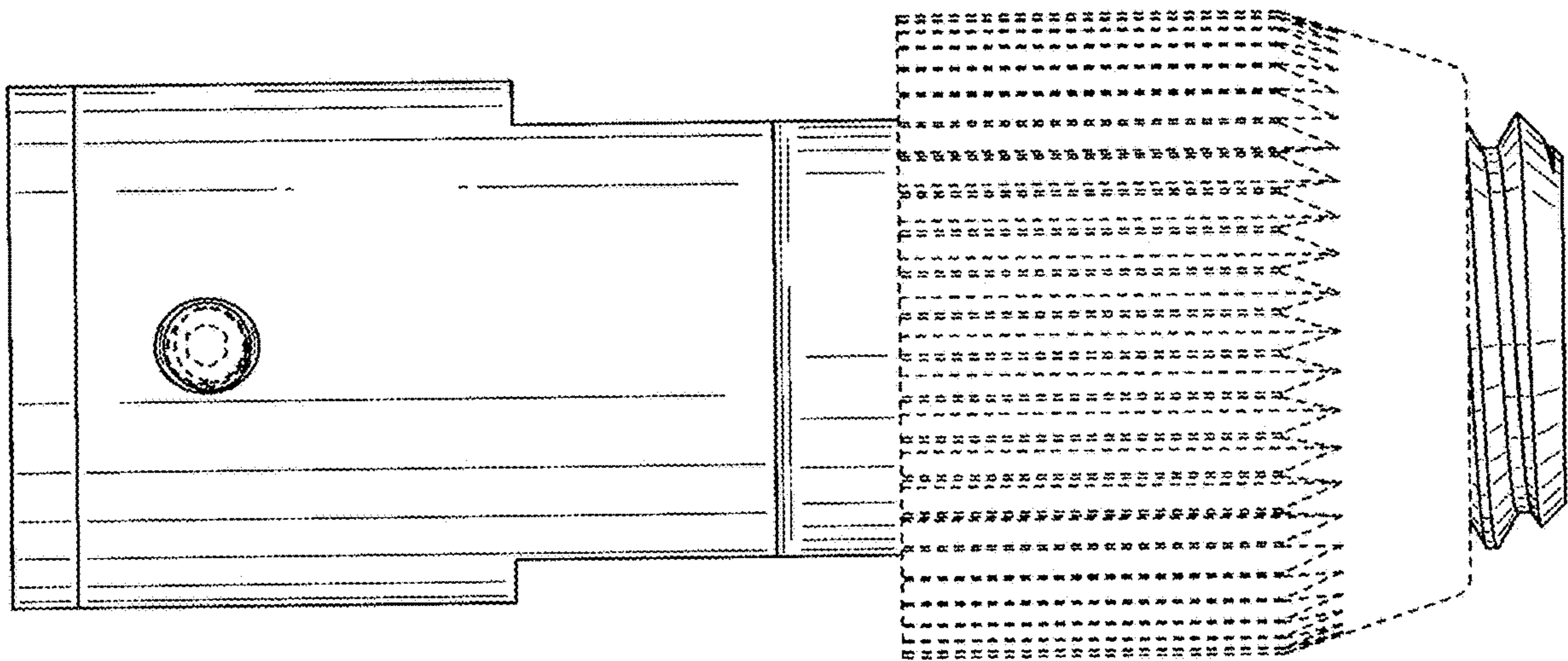
1.5



1.6



1.7



1.8

