



US00D870177S

(12) **United States Design Patent**  
**Mai**

(10) **Patent No.:** **US D870,177 S**

(45) **Date of Patent:** **\*\* Dec. 17, 2019**

(54) **VIDEO CAMERA**

(71) Applicant: **Yongjing Mai**, Foshan (CN)

(72) Inventor: **Yongjing Mai**, Foshan (CN)

(\*\*) Term: **15 Years**

(21) Appl. No.: **29/606,008**

(22) Filed: **Jun. 1, 2017**

(51) **LOC (12) Cl.** ..... **16-01**

(52) **U.S. Cl.**  
USPC ..... **D16/202**

(58) **Field of Classification Search**  
USPC ..... D16/132, 134, 136, 200, 202–205, 218,  
D16/219, 235, 242; D22/109;  
348/373–376; 359/826–828;  
396/529–532, 535, 539–541  
CPC ..... G03B 17/02; G03B 19/04; G03B 17/56;  
G03B 17/04; G03B 15/03; G03B 17/14;  
H04N 5/2251; H04N 5/2252; H04N  
5/2253; H04N 5/2254; G02B 7/02; G02B  
7/04; G02B 7/14

See application file for complete search history.

(56) **References Cited**

**U.S. PATENT DOCUMENTS**

D332,792 S \* 1/1993 Jorlov ..... D16/132  
D515,118 S \* 2/2006 Larsson ..... D16/132  
D541,325 S \* 4/2007 Sumita ..... D16/202  
D579,038 S \* 10/2008 Mutz ..... D16/202  
D598,941 S \* 8/2009 Tanifuji ..... D16/202

D618,717 S \* 6/2010 Frank ..... D16/203  
8,599,481 B2 \* 12/2013 Thomas ..... F41G 1/345  
359/399  
D750,685 S \* 3/2016 Santos ..... D16/208  
D778,390 S \* 2/2017 Zhang ..... D22/109  
2007/0246641 A1 \* 10/2007 Baun ..... H04N 5/2256  
250/214 VT  
2009/0256945 A1 \* 10/2009 Matsuda ..... G03B 13/02  
348/333.01  
2012/0240444 A1 \* 9/2012 Russell ..... F41C 27/00  
42/90

\* cited by examiner

*Primary Examiner* — Ramzi S Almatrahi

(57) **CLAIM**

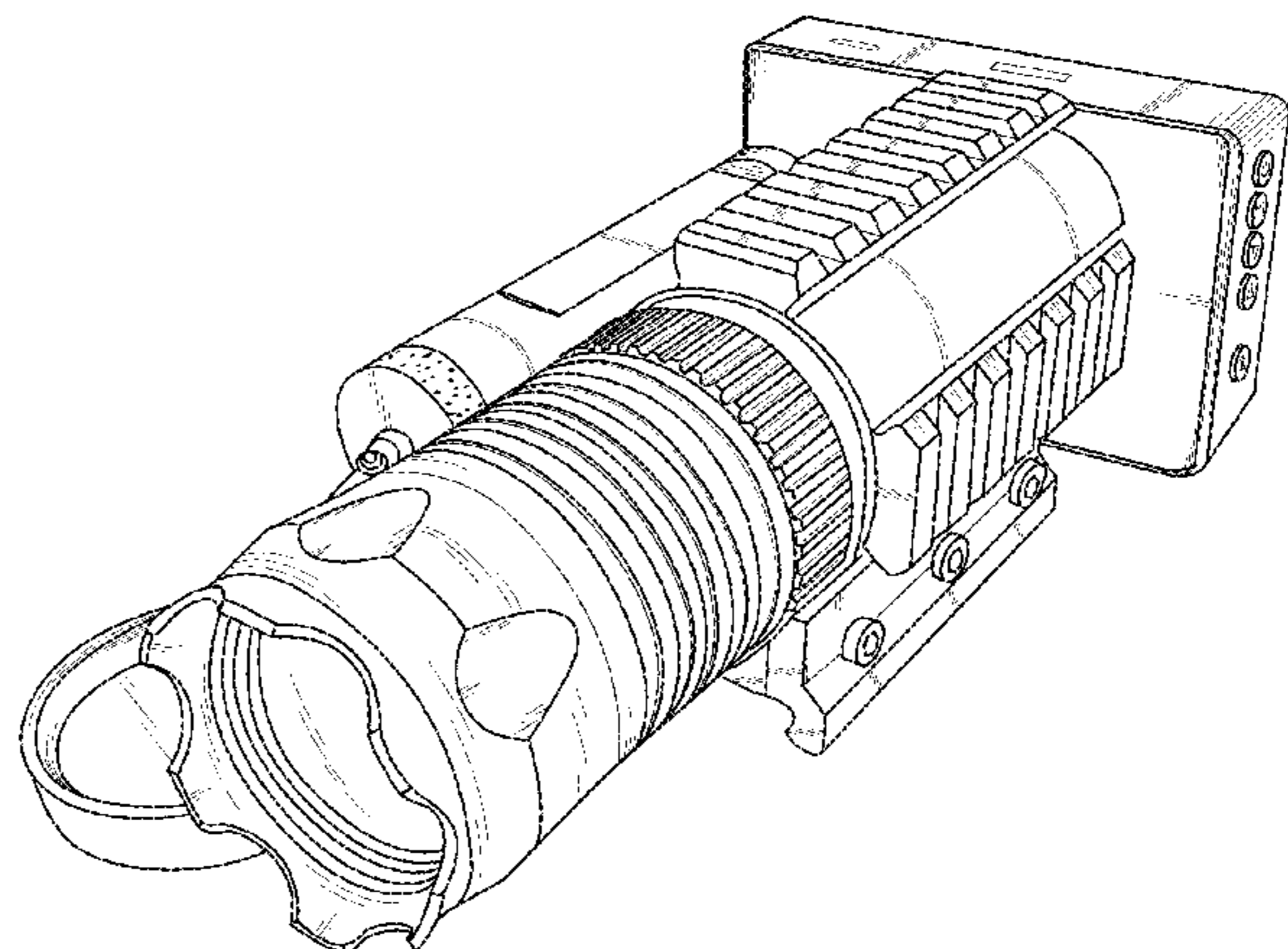
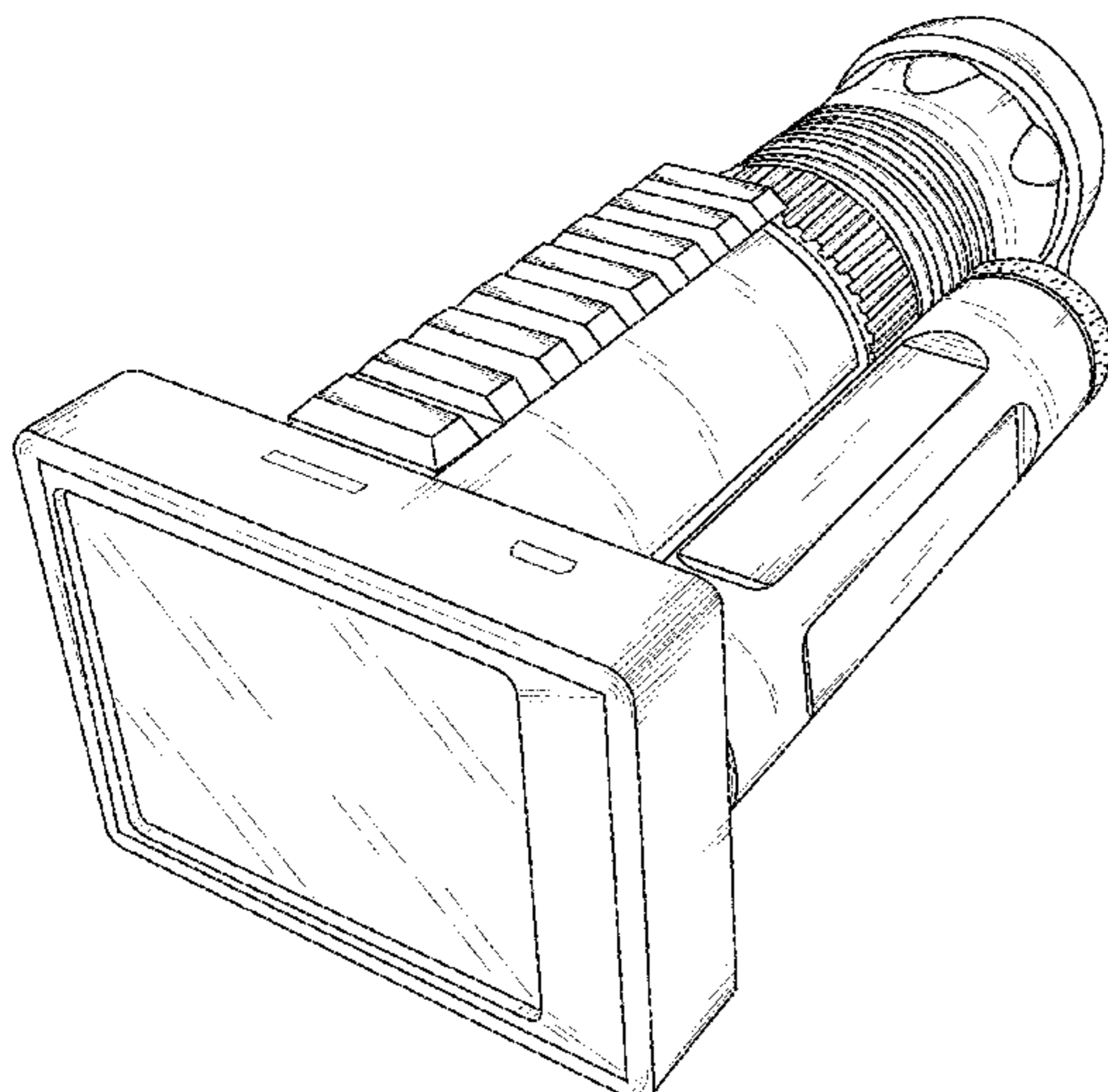
The ornamental design for a video camera, as shown and described.

**DESCRIPTION**

FIG. 1 is a front elevational view of a video camera showing my new design;  
FIG. 2 is a rear elevational view thereof;  
FIG. 3 is a left side elevational view thereof;  
FIG. 4 is a right side elevational view thereof;  
FIG. 5 is a top plan view thereof;  
FIG. 6 is a bottom plan view thereof;  
FIG. 7 is a front perspective view thereof; and,  
FIG. 8 is a rear perspective view thereof, shown with the lens cap removed from the lens.

The broken lines depict portions of the video camera in which the design is embodied that form no part of the claimed design.

**1 Claim, 8 Drawing Sheets**



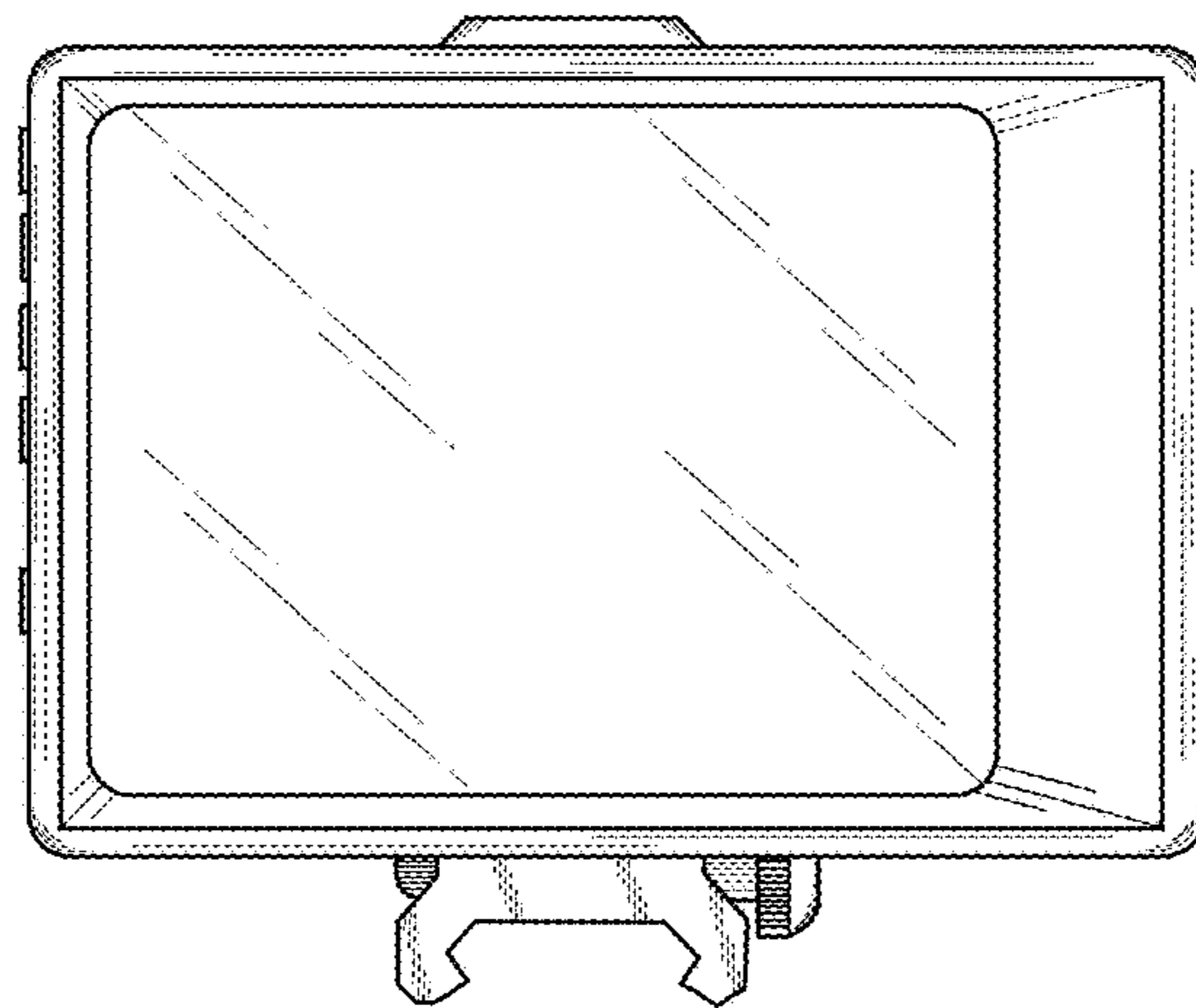


FIG.1

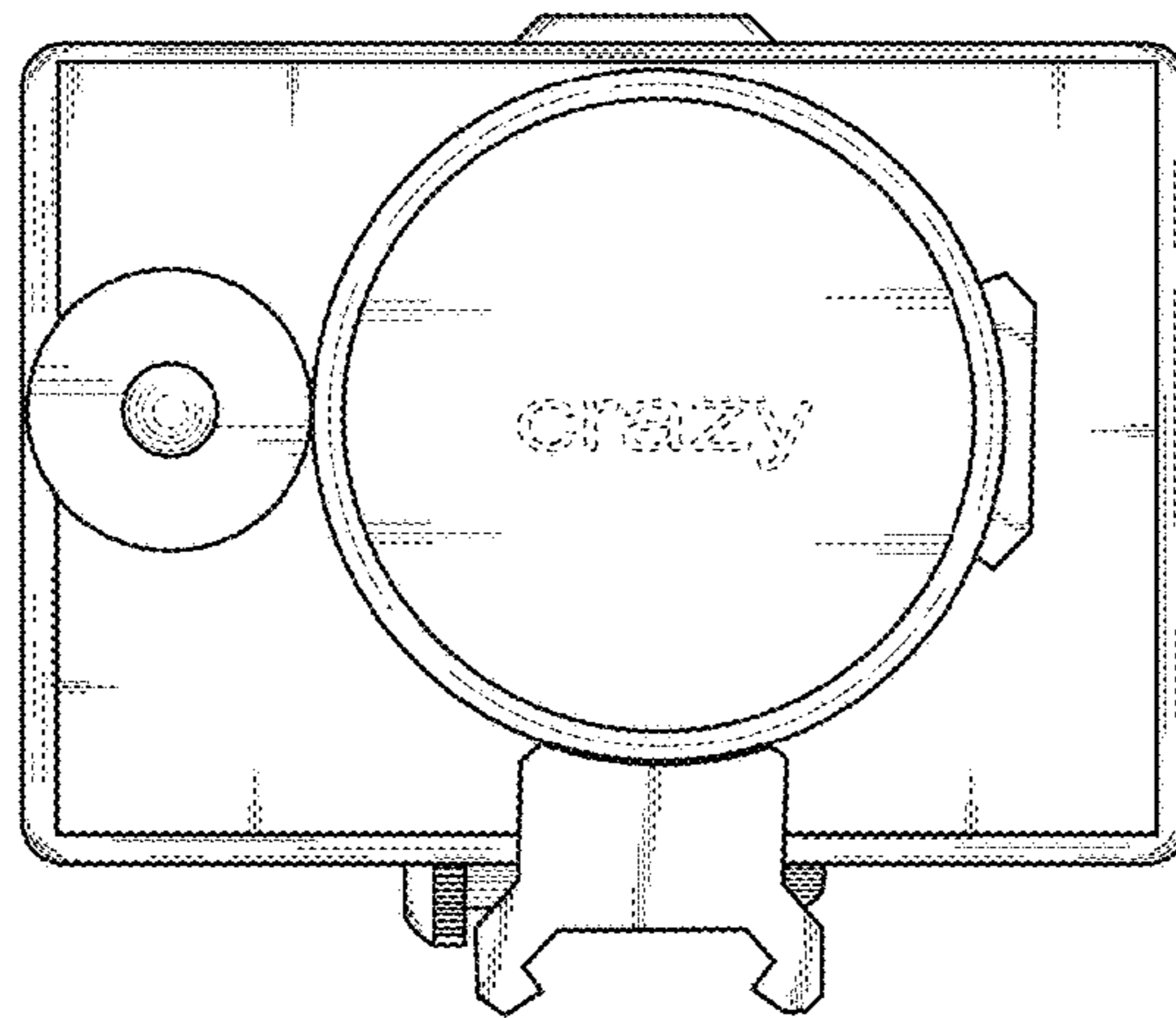


FIG.2

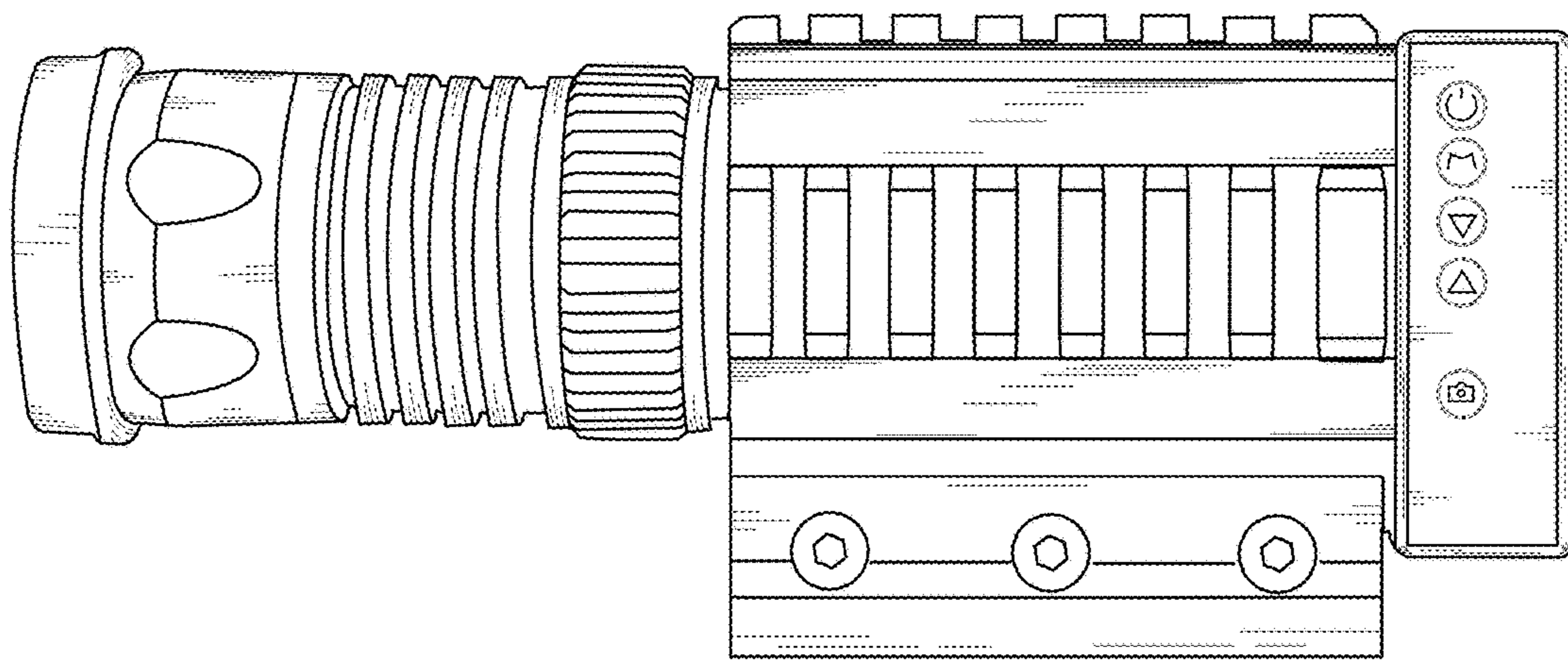


FIG.3

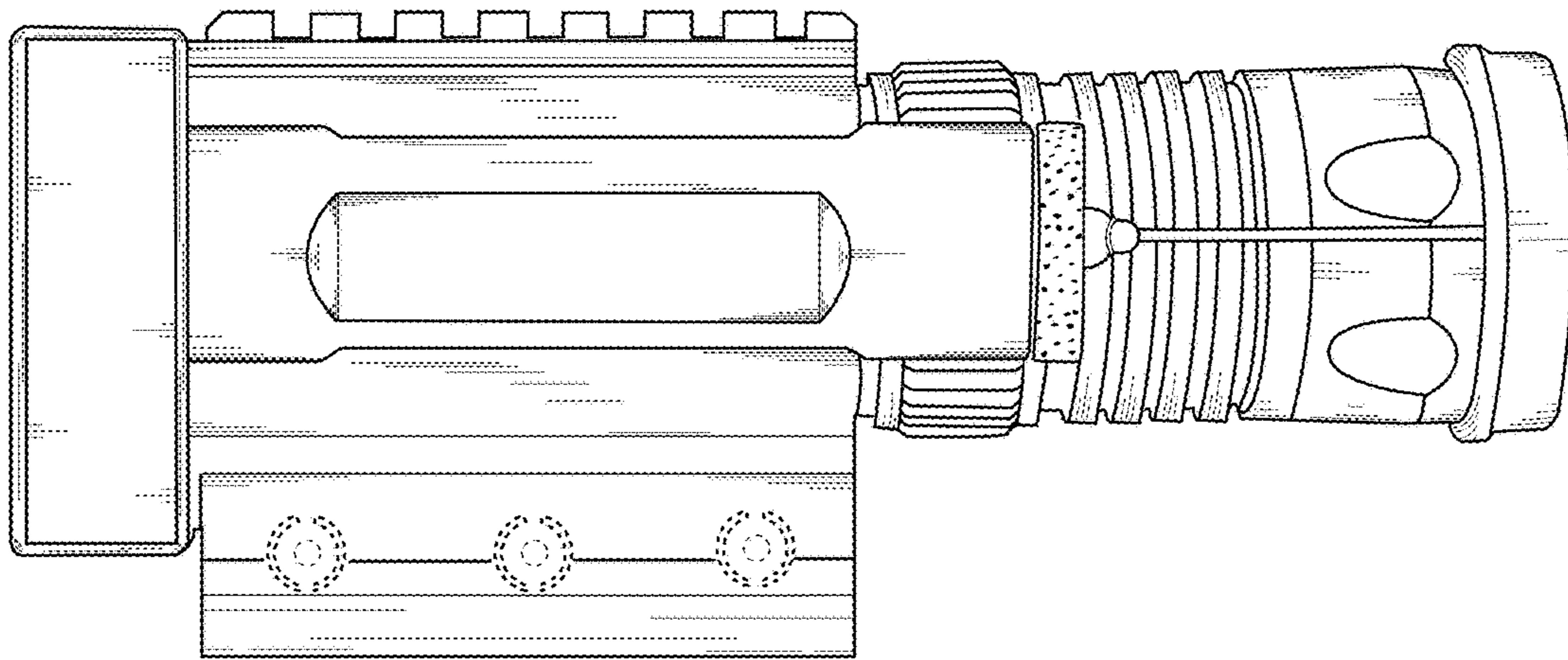


FIG.4

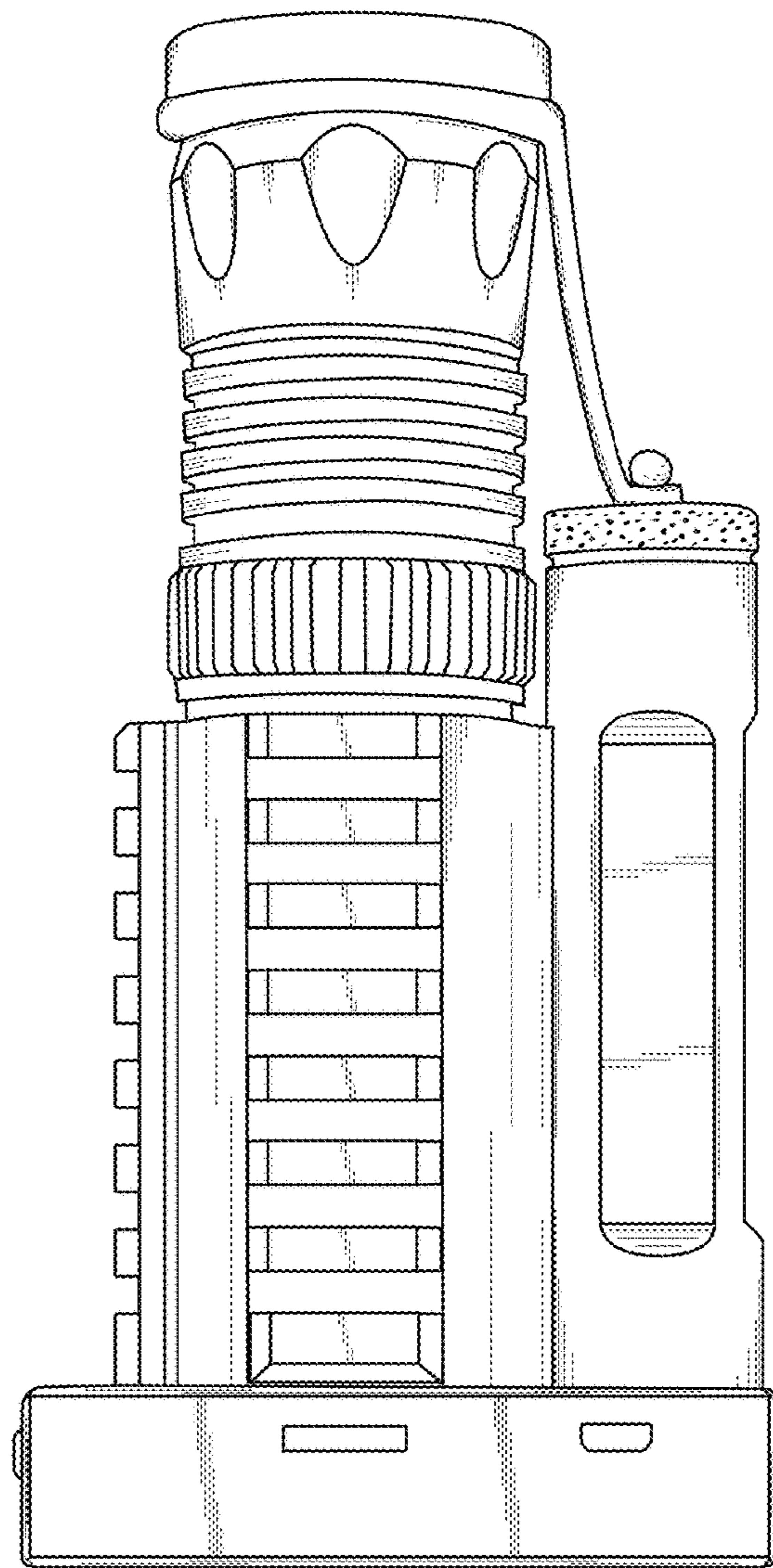


FIG.5

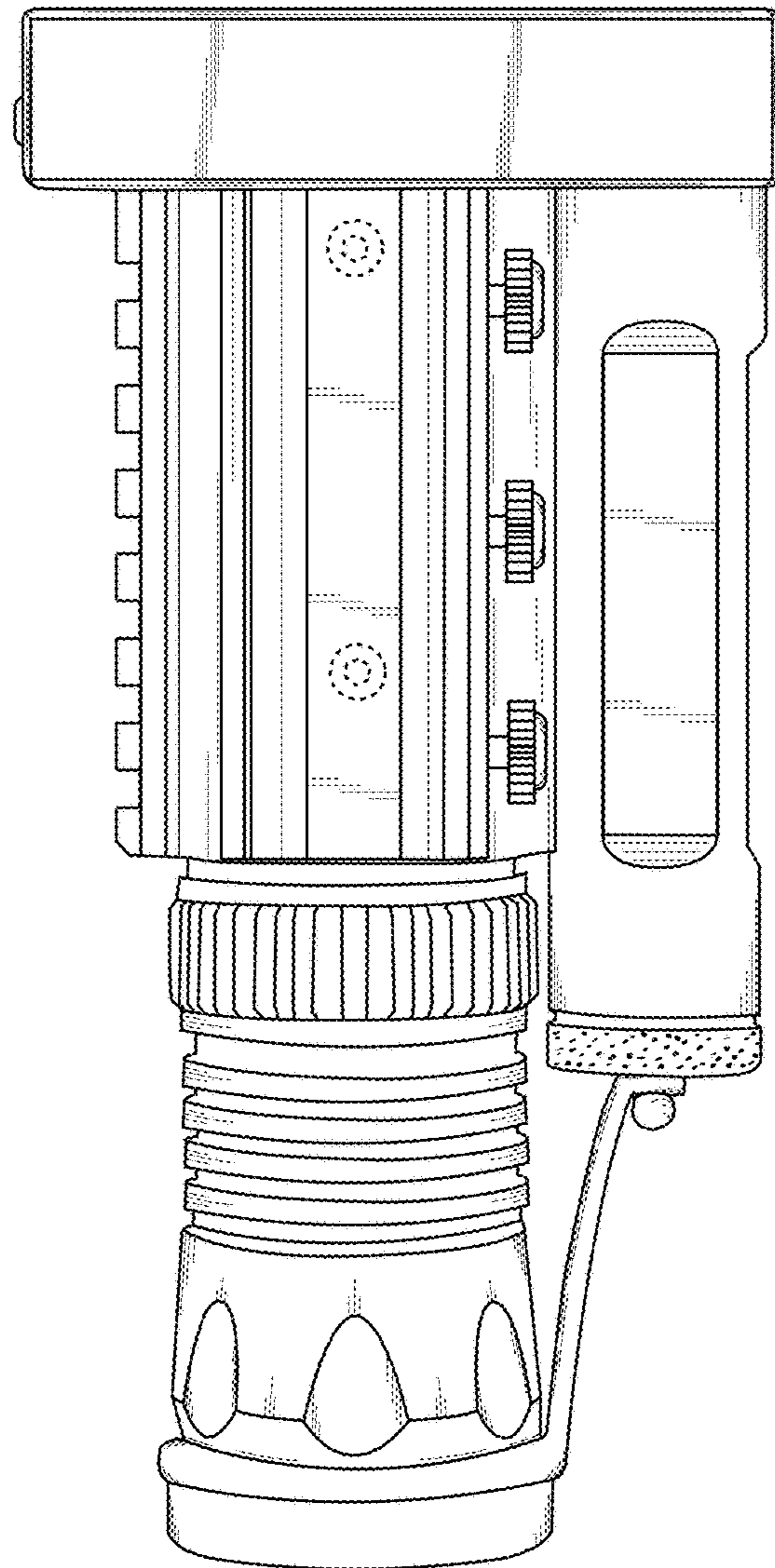


FIG.6

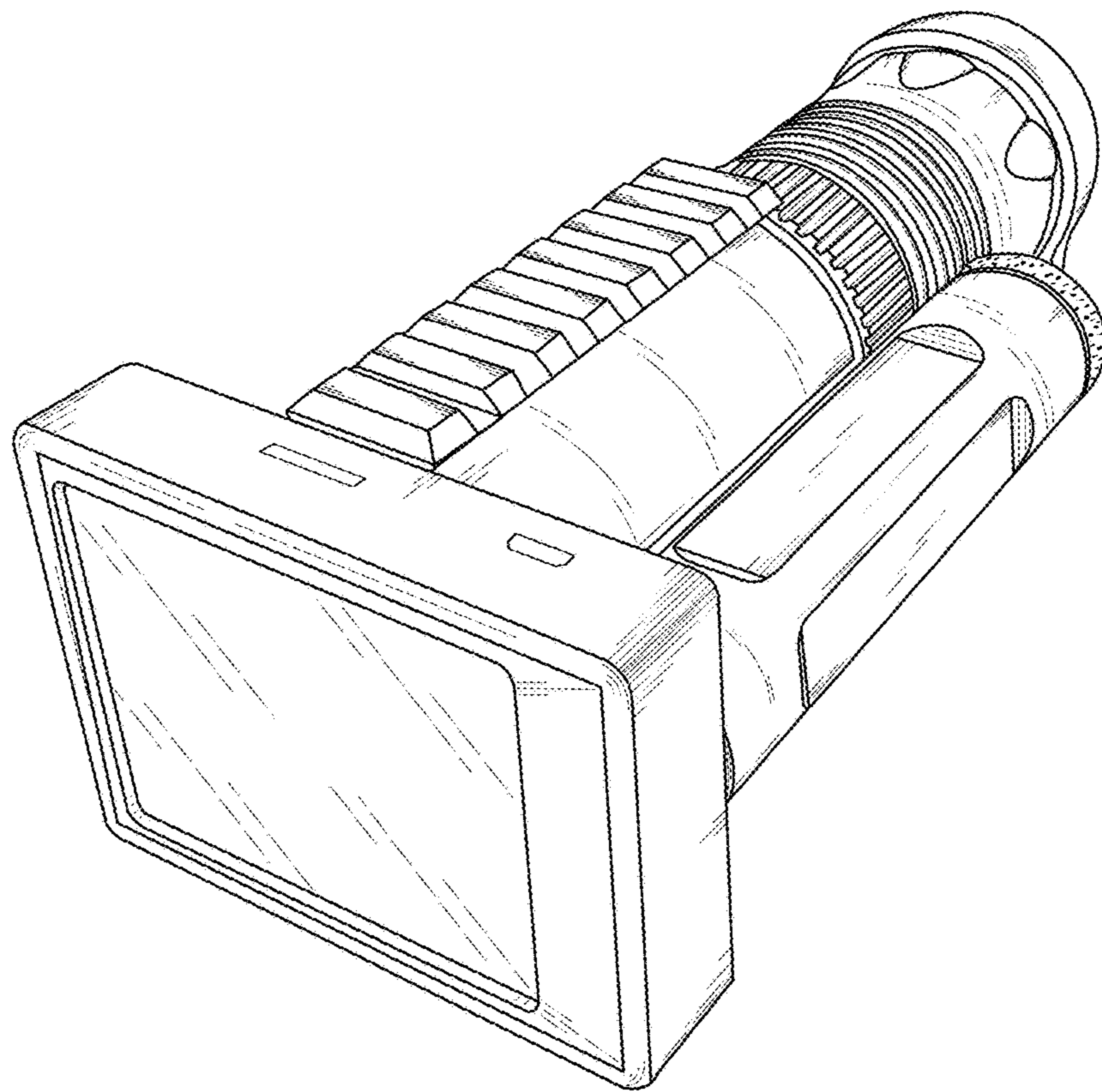


FIG.7



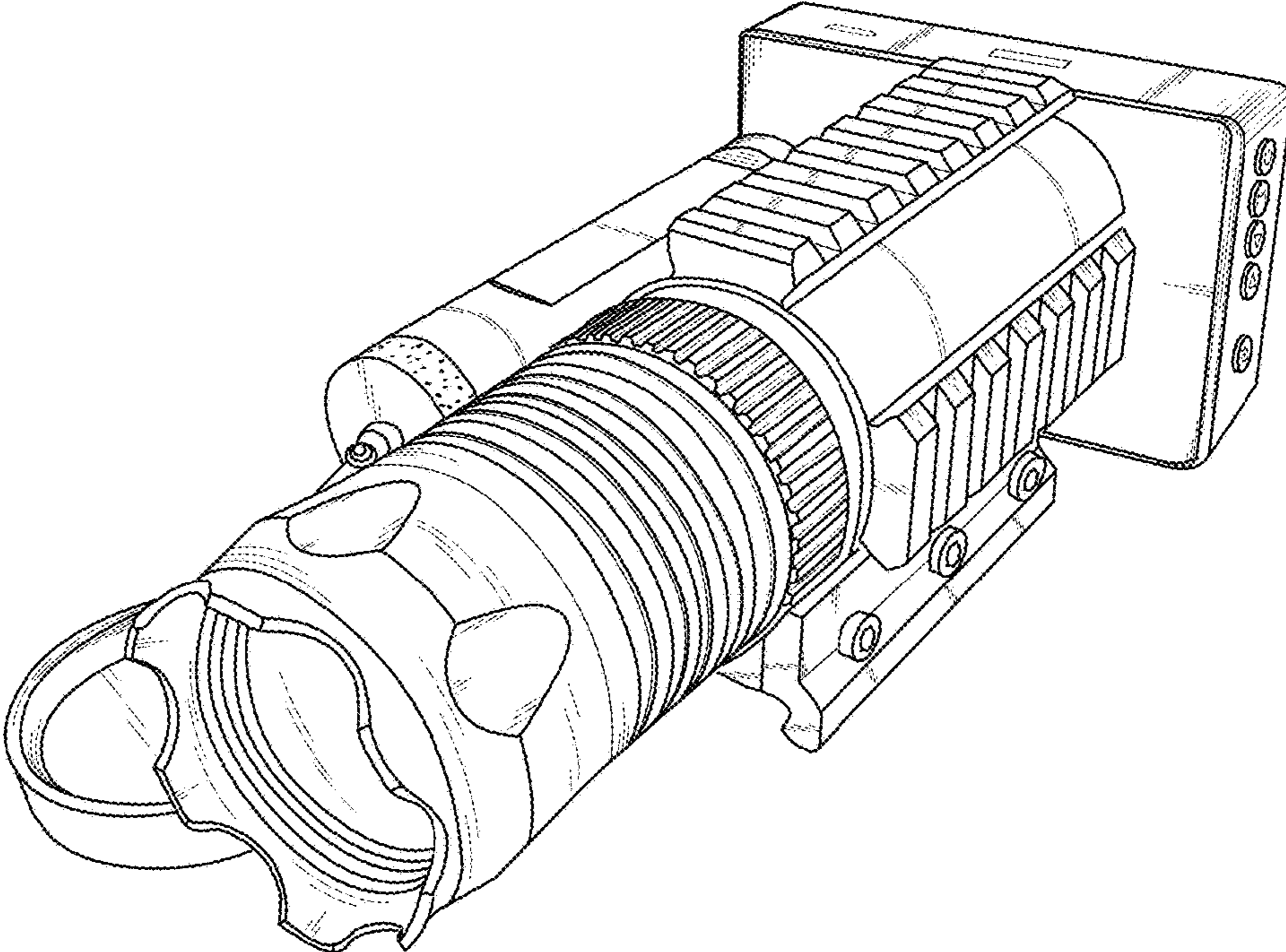


FIG.8