



US00D870174S

(12) **United States Design Patent**
Ueno et al.

(10) **Patent No.:** **US D870,174 S**

(45) **Date of Patent:** **** Dec. 17, 2019**

(54) **LASER RANGE FINDER**

(71) Applicant: **Nikon Vision Co., Ltd.**, Tokyo (JP)

(72) Inventors: **Masayoshi Ueno**, Kawasaki (JP);
Tomohiro Hoshi, Tokyo (JP)

(73) Assignee: **Nikon Vision Co., Ltd.**, Tokyo (JP)

(**) Term: **15 Years**

(21) Appl. No.: **29/694,591**

(22) Filed: **Jun. 12, 2019**

(30) **Foreign Application Priority Data**

Dec. 17, 2018 (JP) 2018-027436

(51) **LOC (12) Cl.** **16-06**

(52) **U.S. Cl.**
USPC **D16/132; D10/70**

(58) **Field of Classification Search**
USPC D16/130, 132, 136, 237; D10/70
CPC G02B 23/16
See application file for complete search history.

(56) **References Cited**

U.S. PATENT DOCUMENTS

D376,377 S * 12/1996 Palmer D16/130
D525,544 S * 7/2006 Nojima D10/70
D552,644 S * 10/2007 Zhou D16/132
D647,159 S * 10/2011 Kobayashi D22/109
D685,831 S * 7/2013 Wunnicke D16/132
D716,858 S * 11/2014 Kobayashi D16/132

D723,080 S * 2/2015 Kobayashi D16/132
D771,170 S * 11/2016 Nikaido D16/132
D817,376 S * 5/2018 Vogl D16/132
D823,147 S * 7/2018 Bainter D10/70
D845,795 S * 4/2019 Kim D10/70
D850,947 S * 6/2019 Vermillion D10/70

FOREIGN PATENT DOCUMENTS

CN 304991552 S 1/2019

* cited by examiner

Primary Examiner — Holly E Thurman

(74) *Attorney, Agent, or Firm* — Wolf, Greenfield & Sacks, P.C.

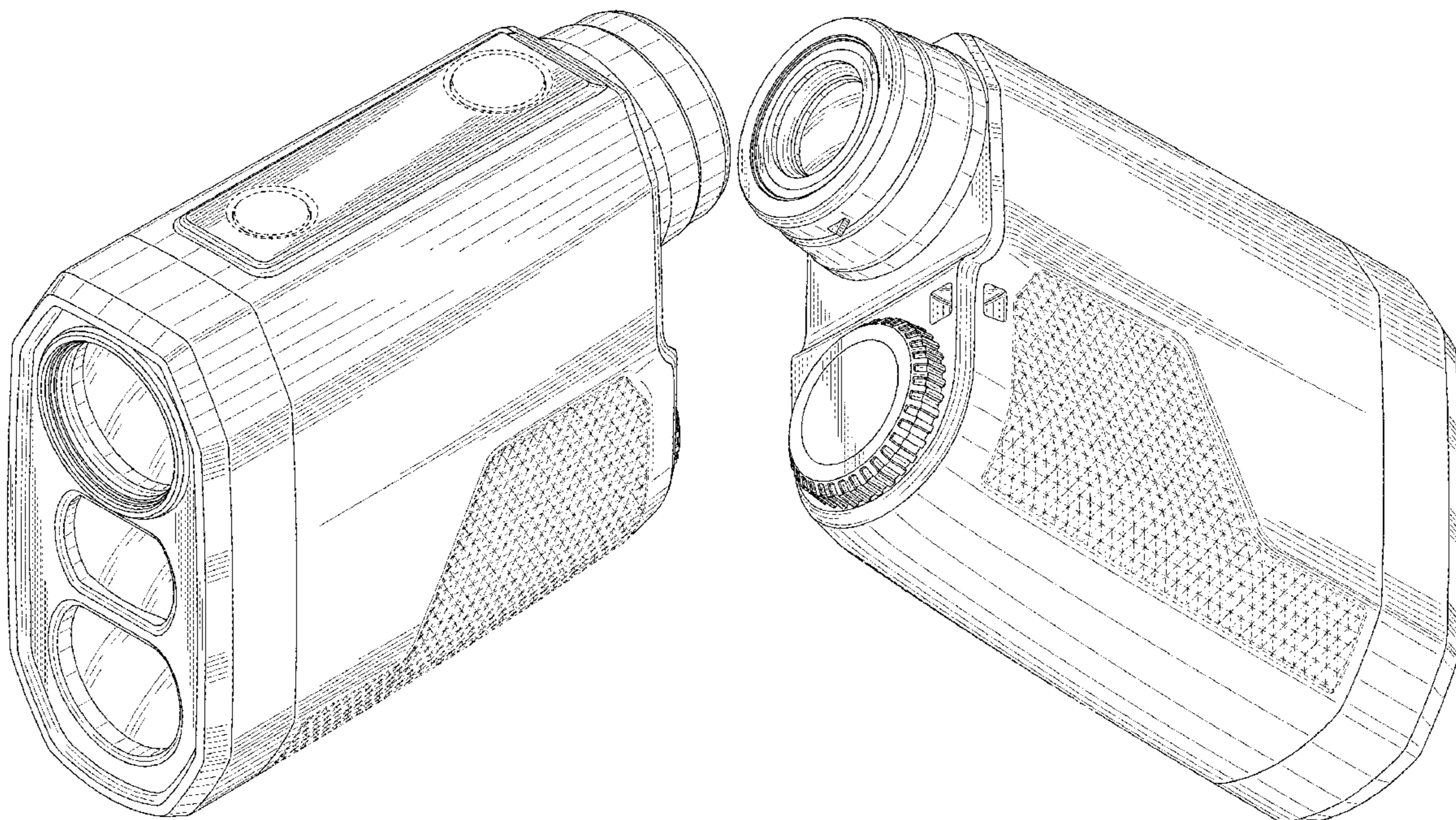
(57) **CLAIM**

The ornamental design for a laser range finder, as shown and described.

DESCRIPTION

FIG. 1 is a front, top and left side perspective view of a laser range finder showing our new design;
FIG. 2 is a rear, bottom and right side perspective view thereof;
FIG. 3 is a front view thereof;
FIG. 4 is a rear view thereof;
FIG. 5 is a top plan view thereof;
FIG. 6 is a bottom plan view thereof;
FIG. 7 is a right side view thereof; and,
FIG. 8 is a left side view thereof.
The broken lines illustrate portions of the laser range finder that form no part of the claimed design.

1 Claim, 8 Drawing Sheets



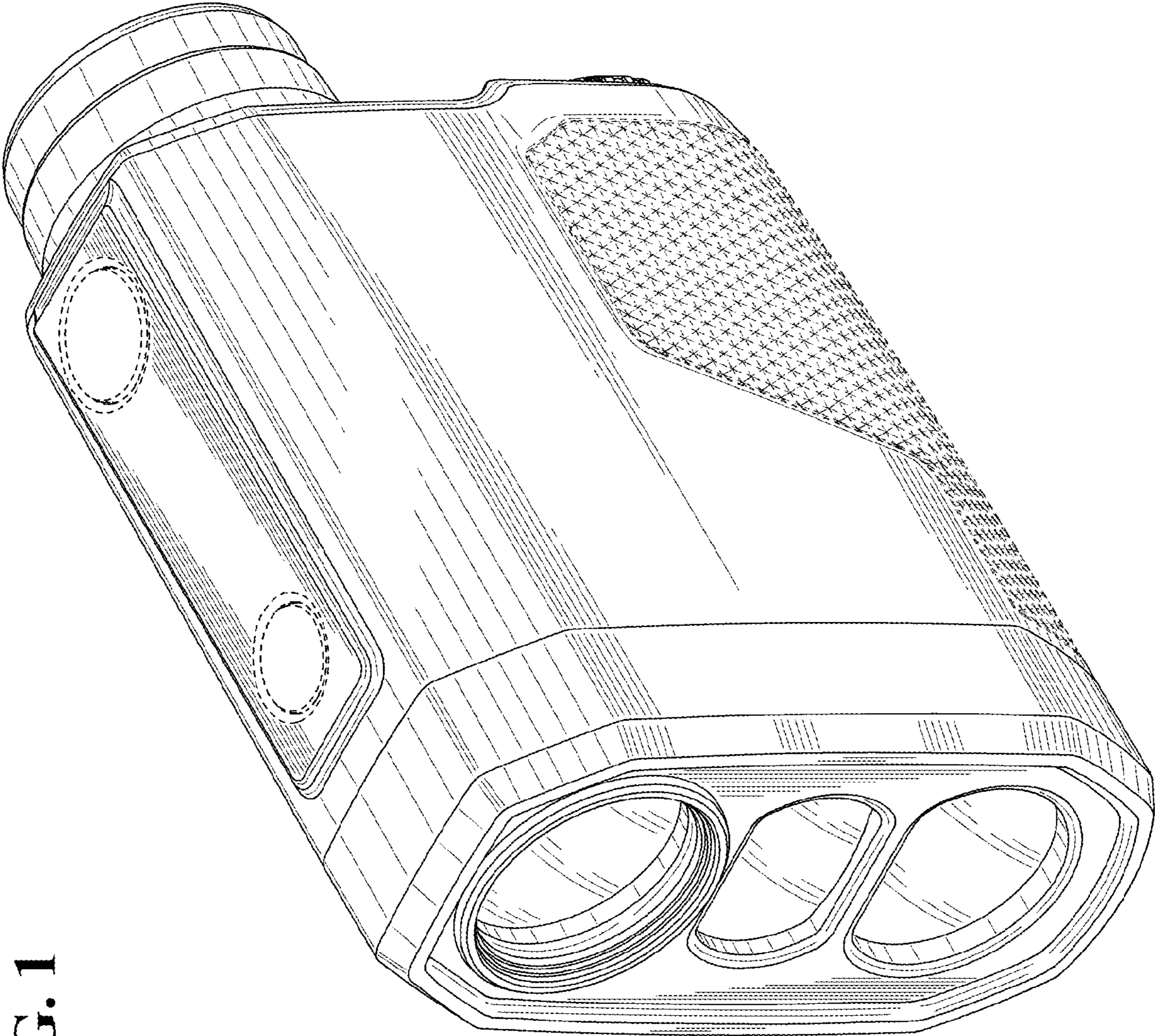


FIG. 1

FIG. 2

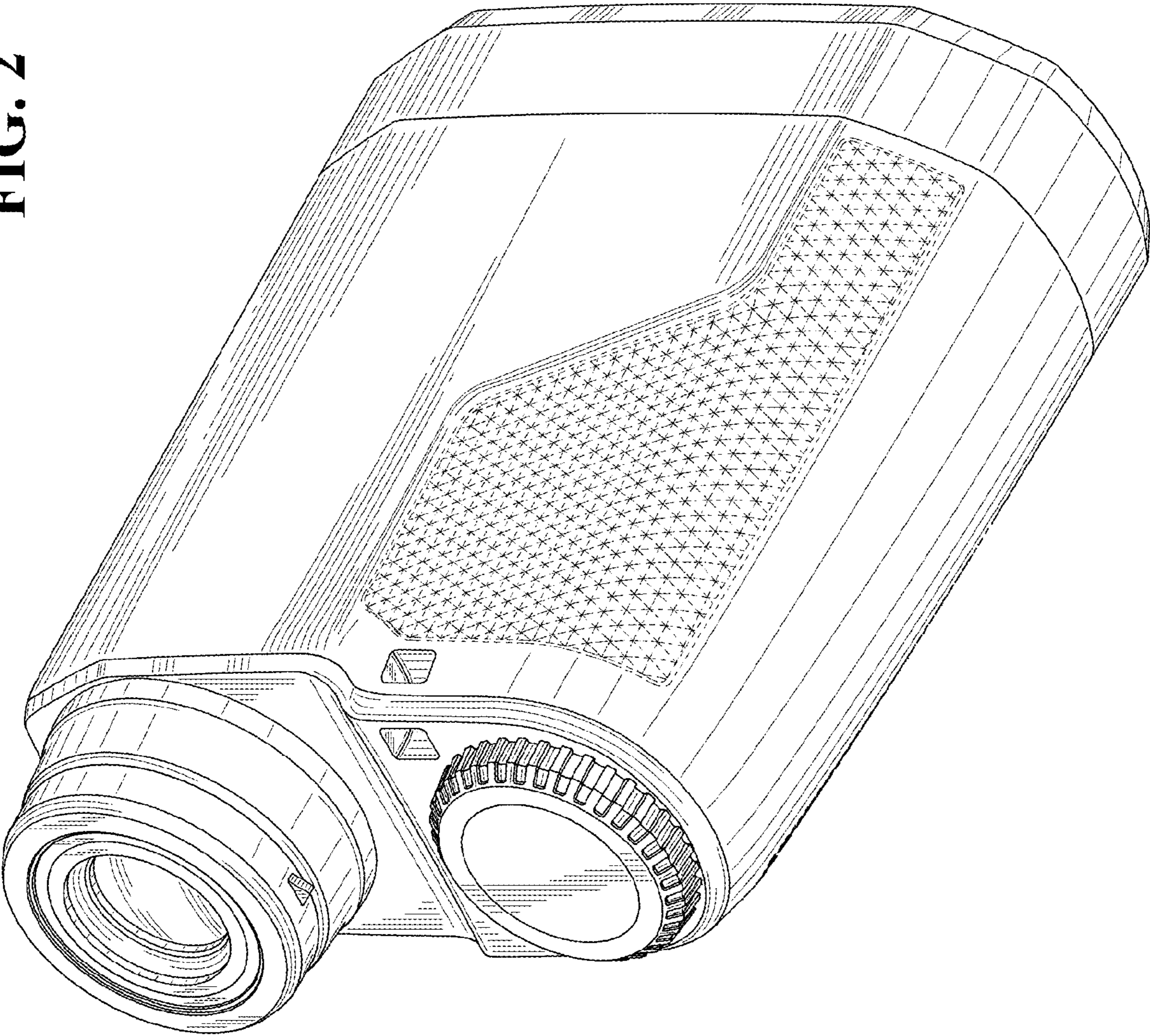


FIG. 3

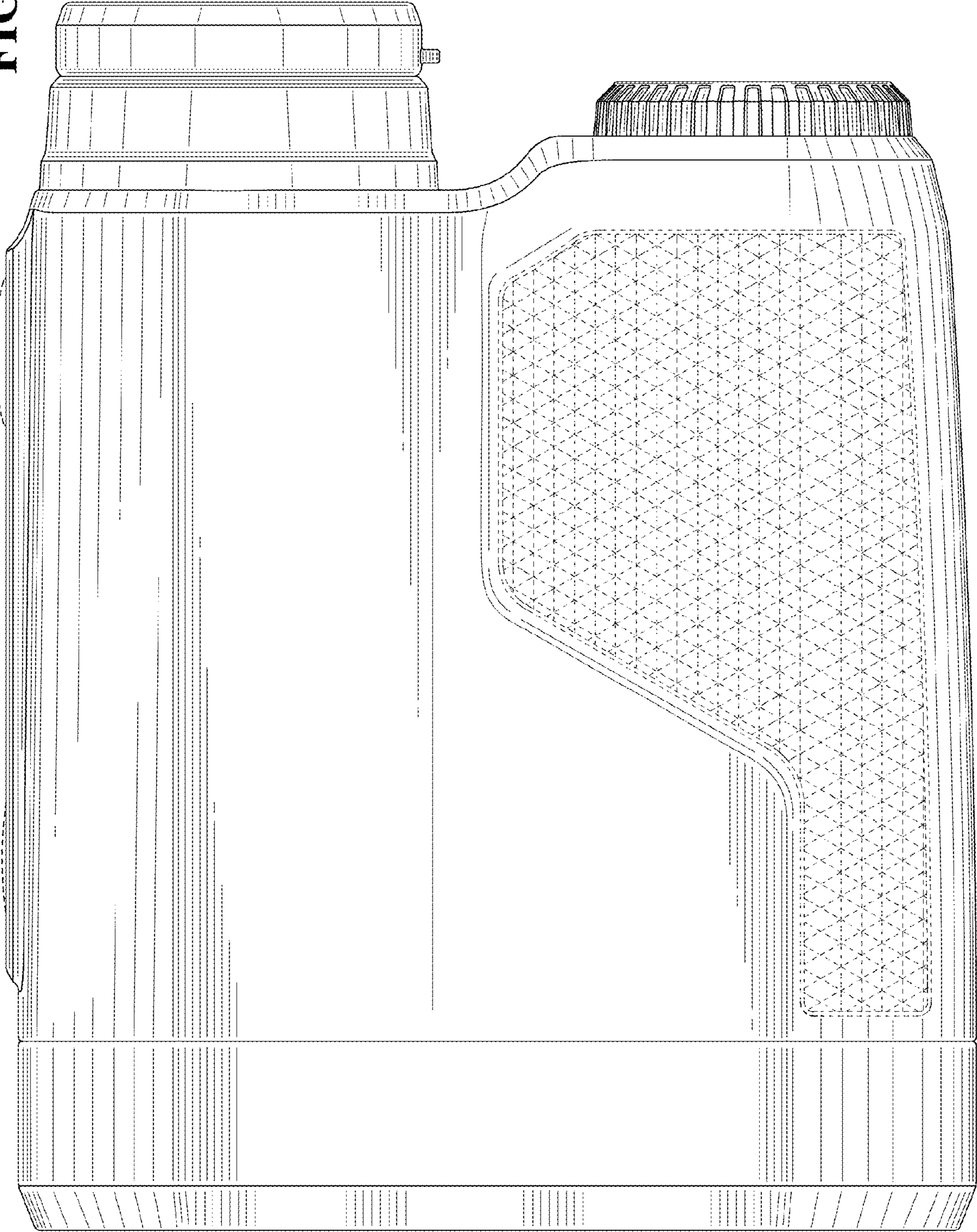


FIG. 4

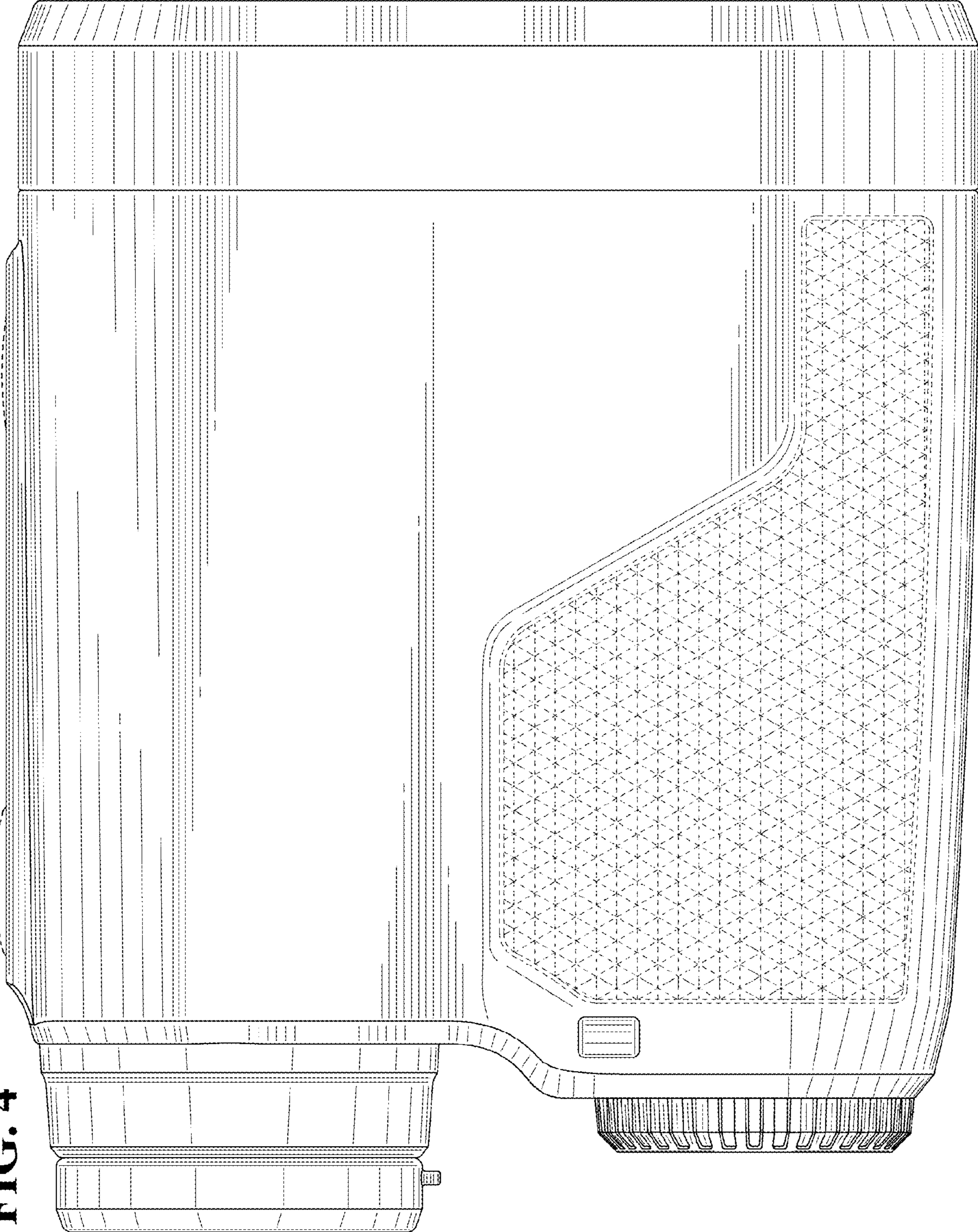


FIG. 5

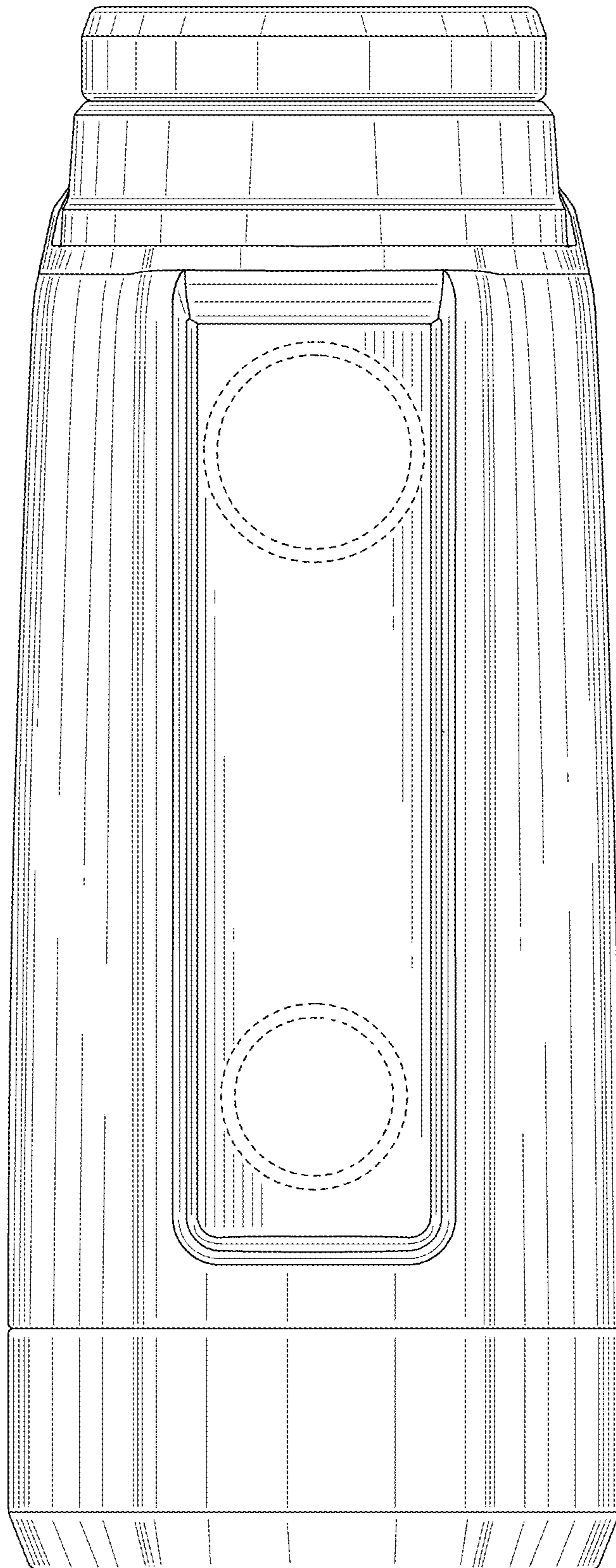


FIG. 6

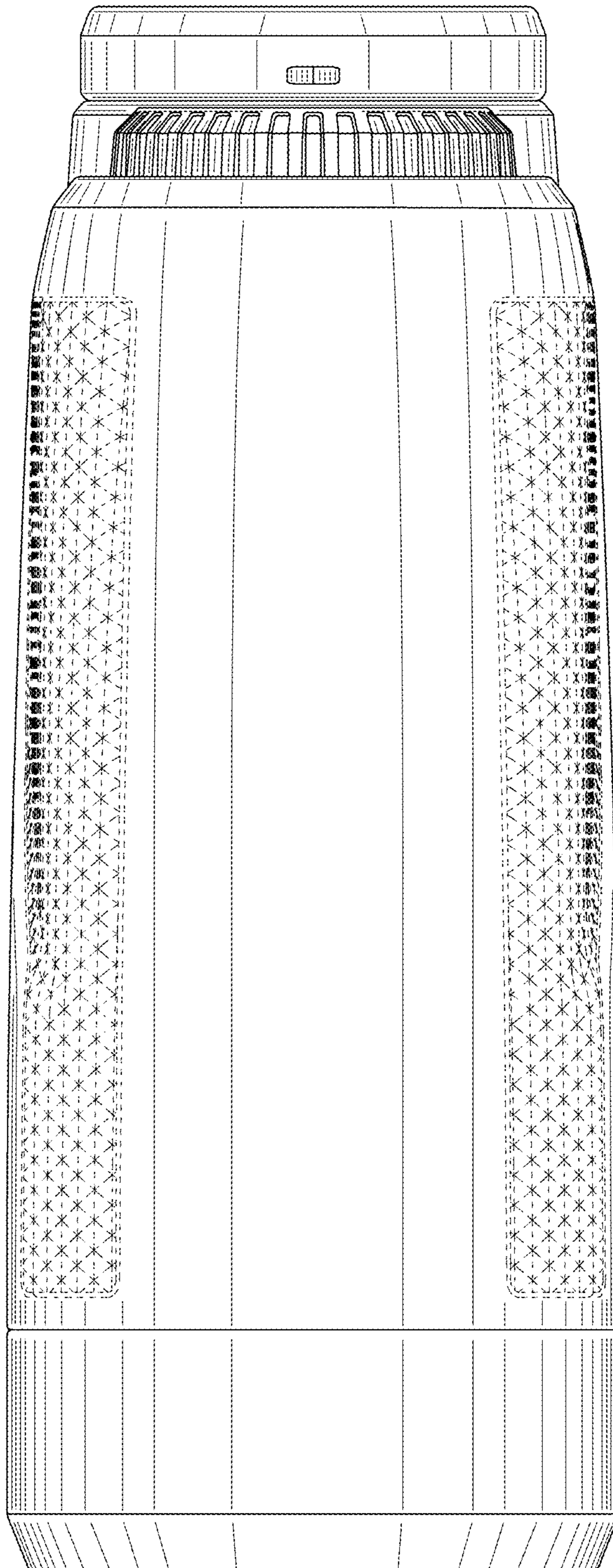


FIG. 7

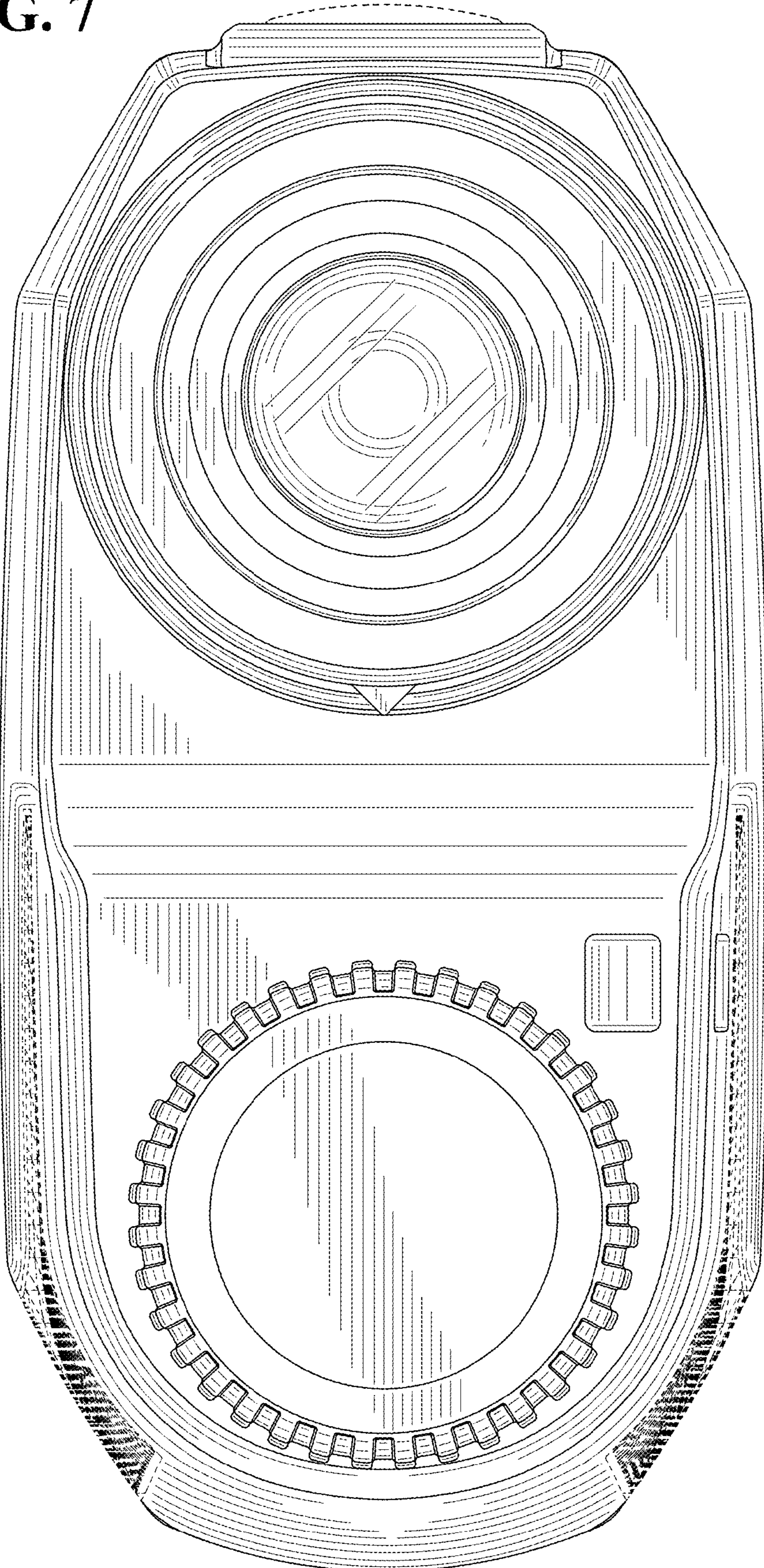


FIG. 8

