

US00D870169S

(12) **United States Design Patent** (10) **Patent No.:** **US D870,169 S**
Dosho et al. (45) **Date of Patent:** **** Dec. 17, 2019**

(54) **INDUSTRIAL ROBOT**

(71) Applicant: **MITSUBISHI ELECTRIC CORPORATION**, Tokyo (JP)

(72) Inventors: **Yusuke Dosho**, Tokyo (JP); **Yuki Mizushi**, Tokyo (JP)

(73) Assignee: **Mitsubishi Electric Corporation**, Tokyo (JP)

(**) Term: **15 Years**

(21) Appl. No.: **29/646,190**

(22) Filed: **May 2, 2018**

(30) **Foreign Application Priority Data**

Nov. 22, 2017 (JP) 2017-026038
Nov. 22, 2017 (JP) 2017-026043
Nov. 22, 2017 (JP) 2017-026044

(51) **LOC (12) Cl.** **15-99**

(52) **U.S. Cl.**
USPC **D15/199**

(58) **Field of Classification Search**
USPC D15/122, 199; D21/578-583, 621, 622;
D23/259, 262, 263
CPC A63H 3/00; B25J 9/00; B25J 9/104; B25J
9/161; B25J 9/1617; G05B 19/00; G05B
2219/33105; G05B 2219/36433; G05B
2219/39335; G05B 2219/39427; G05B
2219/40304; G06C 7/60; G06N 3/00;
G06N 3/004; G06N 3/006; G06N 3/008;
G06N 5/00

See application file for complete search history.

(56) **References Cited**

U.S. PATENT DOCUMENTS

D461,484 S * 8/2002 Kraft D15/199
D646,703 S * 10/2011 Wong D15/199
D650,820 S * 12/2011 Long D15/199
D655,324 S * 3/2012 Wong D15/199

(Continued)

Primary Examiner — Patricia A Palasik

(74) *Attorney, Agent, or Firm* — Studebaker & Brackett PC

(57) **CLAIM**

The ornamental design for an industrial robot, as shown and described.

DESCRIPTION

FIG. 1 is a front perspective view of the front, right, and top sides of an industrial robot showing a first embodiment of our new design;

FIG. 2 is a rear perspective view of the rear, left, and top sides;

FIG. 3 is a front view thereof;

FIG. 4 is a rear view thereof;

FIG. 5 is a top view thereof;

FIG. 6 is a bottom view thereof;

FIG. 7 is a right side view thereof;

FIG. 8 is a left side view thereof;

FIG. 9 is an enlarged view of a part 9-9;

FIG. 10 is an enlarged view of a part 10-10;

FIG. 11 is a front perspective view of the front, right, and top sides of an industrial robot showing a second embodiment of our new design;

FIG. 12 is a rear perspective view of the rear, left, and top sides;

FIG. 13 is a front view thereof;

FIG. 14 is a rear view thereof;

FIG. 15 is a top view thereof;

FIG. 16 is a bottom view thereof;

FIG. 17 is a right side view thereof;

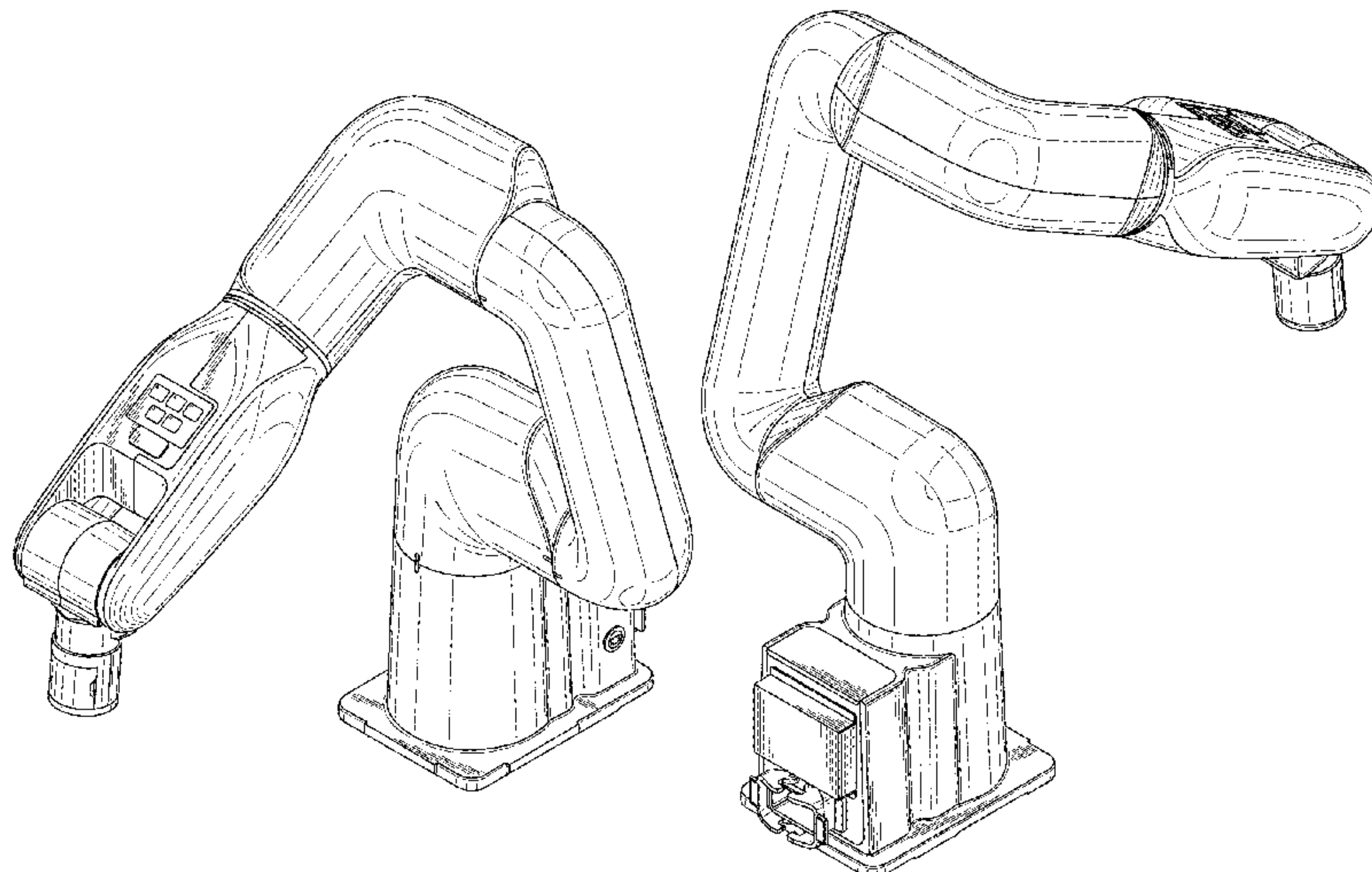
FIG. 18 is a left side view thereof;

FIG. 19 is an enlarged view of a part 19-19; and,

FIG. 20 is an enlarged view of a part 20-20.

The broken lines shown represent unclaimed subject matter of the industrial robot and form no part of the claimed design.

1 Claim, 20 Drawing Sheets



(56)

References Cited

U.S. PATENT DOCUMENTS

D670,319 S * 11/2012 Liu D15/199
D677,294 S * 3/2013 Long D15/199
D692,041 S * 10/2013 Selic D15/199
D716,357 S * 10/2014 Gombert D15/199
D761,339 S * 7/2016 White, Jr. D15/199
D766,348 S * 9/2016 Long D15/199
D776,178 S * 1/2017 Ries D15/199
D802,041 S * 11/2017 He D15/199
D824,977 S * 8/2018 Everman D15/199
D830,439 S * 10/2018 Park D15/199
D831,087 S * 10/2018 Morimoto D15/199
D837,294 S * 1/2019 Ciniello D19/59
D837,853 S * 1/2019 Deng D15/199
D838,759 S * 1/2019 Kowalski D15/199
2010/0131099 A1 * 5/2010 Birkenbach G05B 19/402
700/254
2011/0064554 A1 * 3/2011 Ito B25J 9/047
414/735
2011/0107866 A1 * 5/2011 Oka B25J 9/0084
74/490.03
2013/0116821 A1 * 5/2013 Joly B25J 9/161
700/254
2013/0125694 A1 * 5/2013 Long B25J 11/0075
74/490.01
2014/0102239 A1 * 4/2014 Umeno B25J 15/0033
74/490.01
2014/0137687 A1 * 5/2014 Nogami B25J 18/00
74/490.03
2016/0331482 A1 * 11/2016 Hares B25J 9/1689

* cited by examiner

FIG. 1

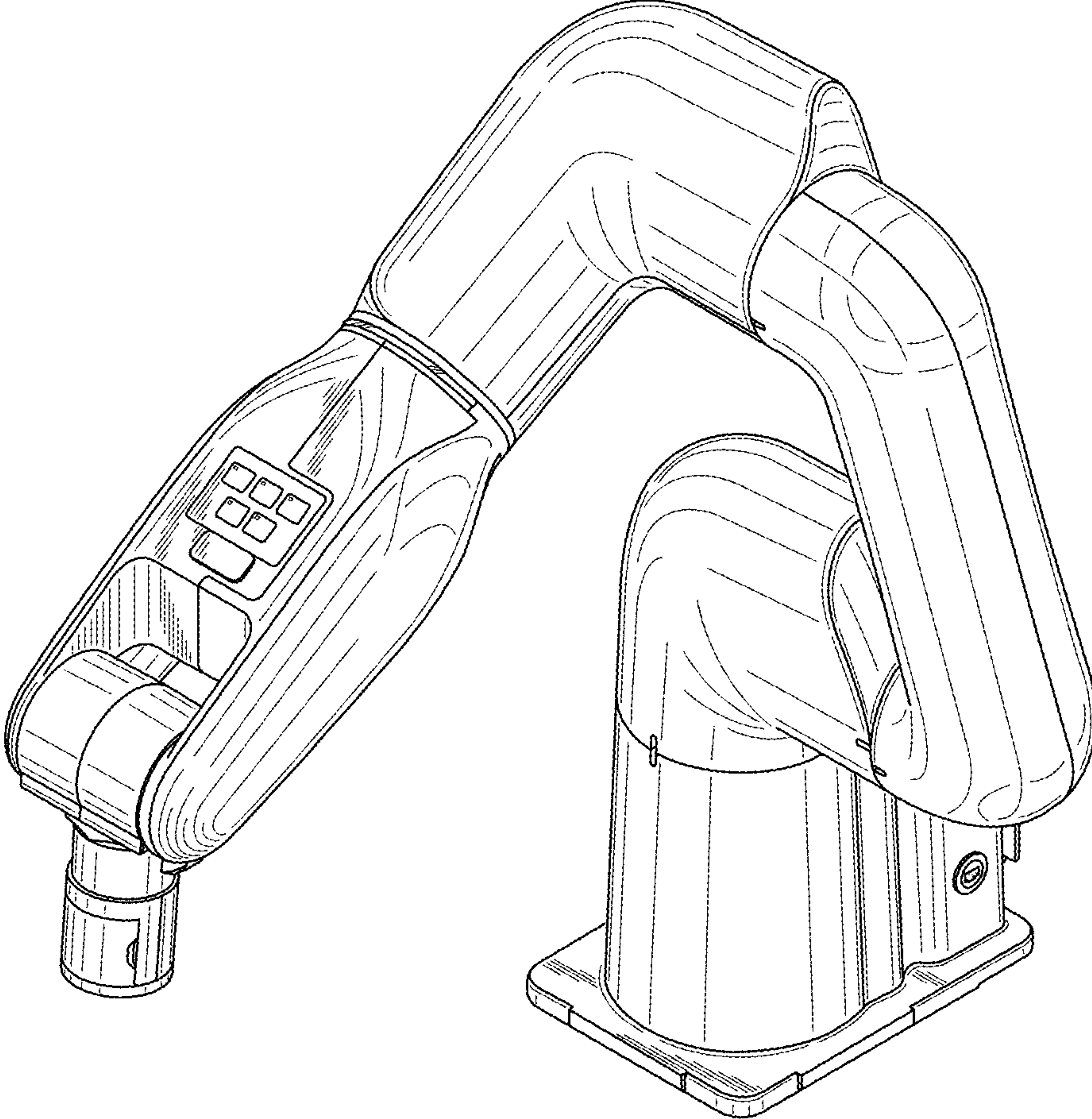


FIG. 2

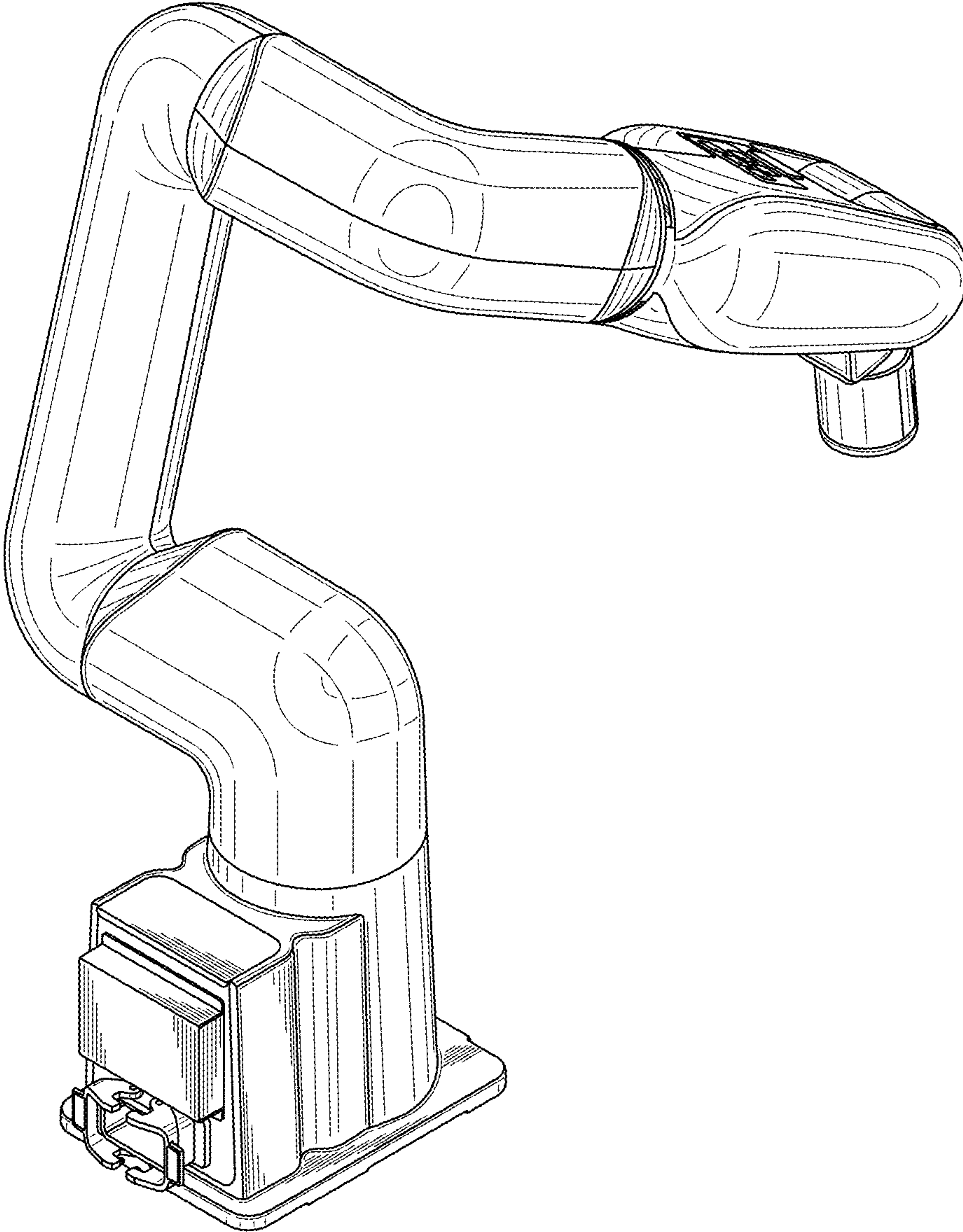


FIG. 3

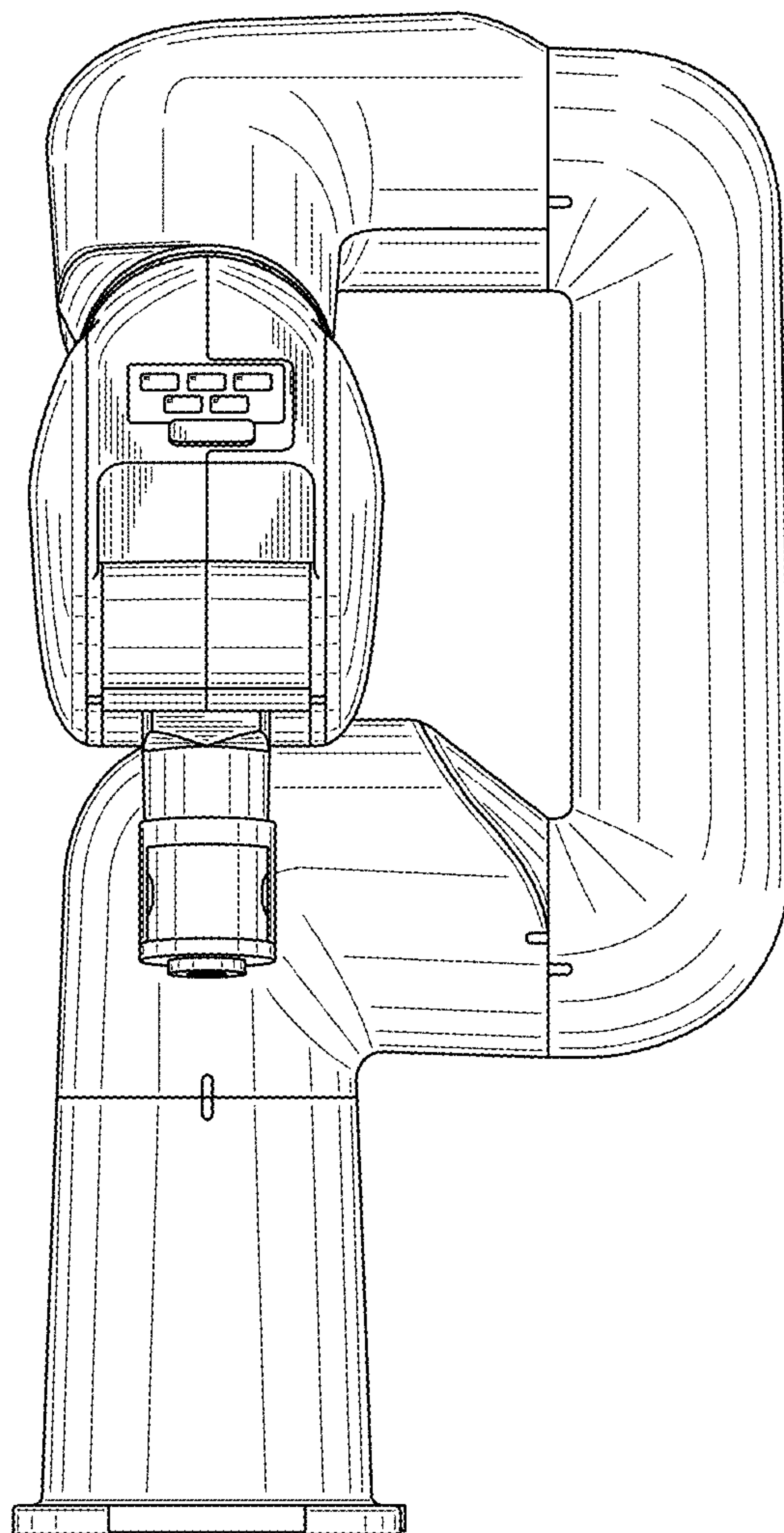


FIG. 4

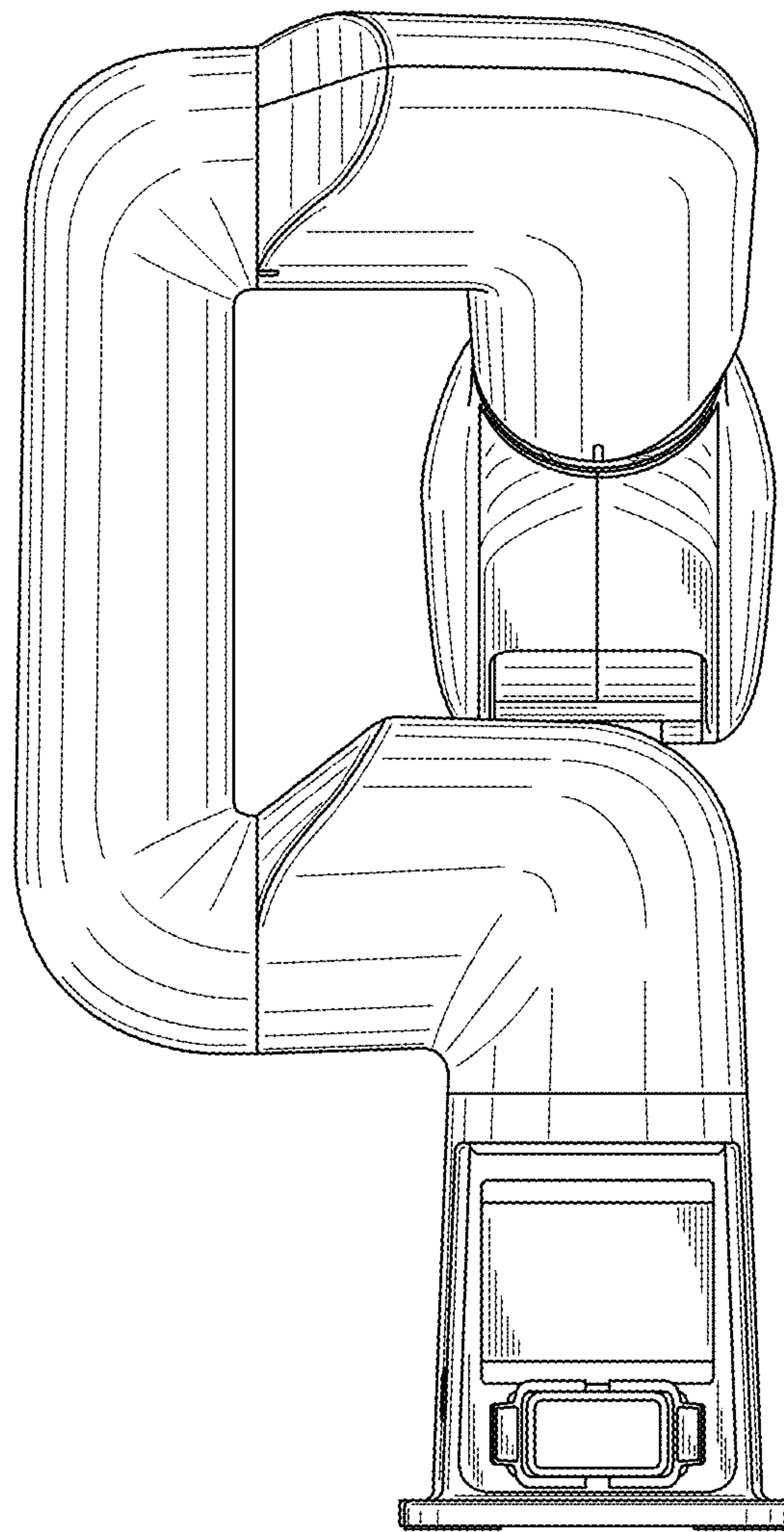


FIG. 5

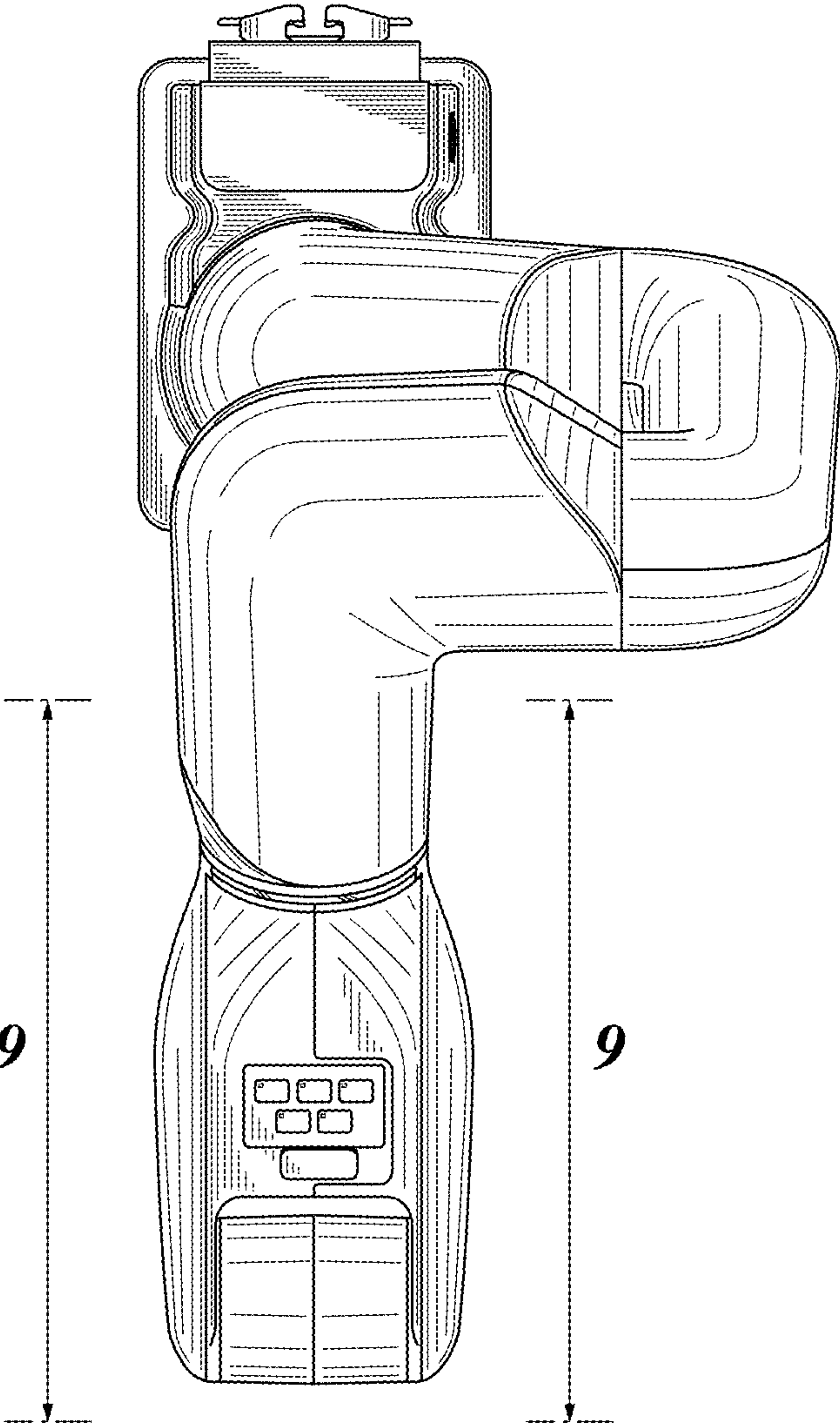


FIG. 6

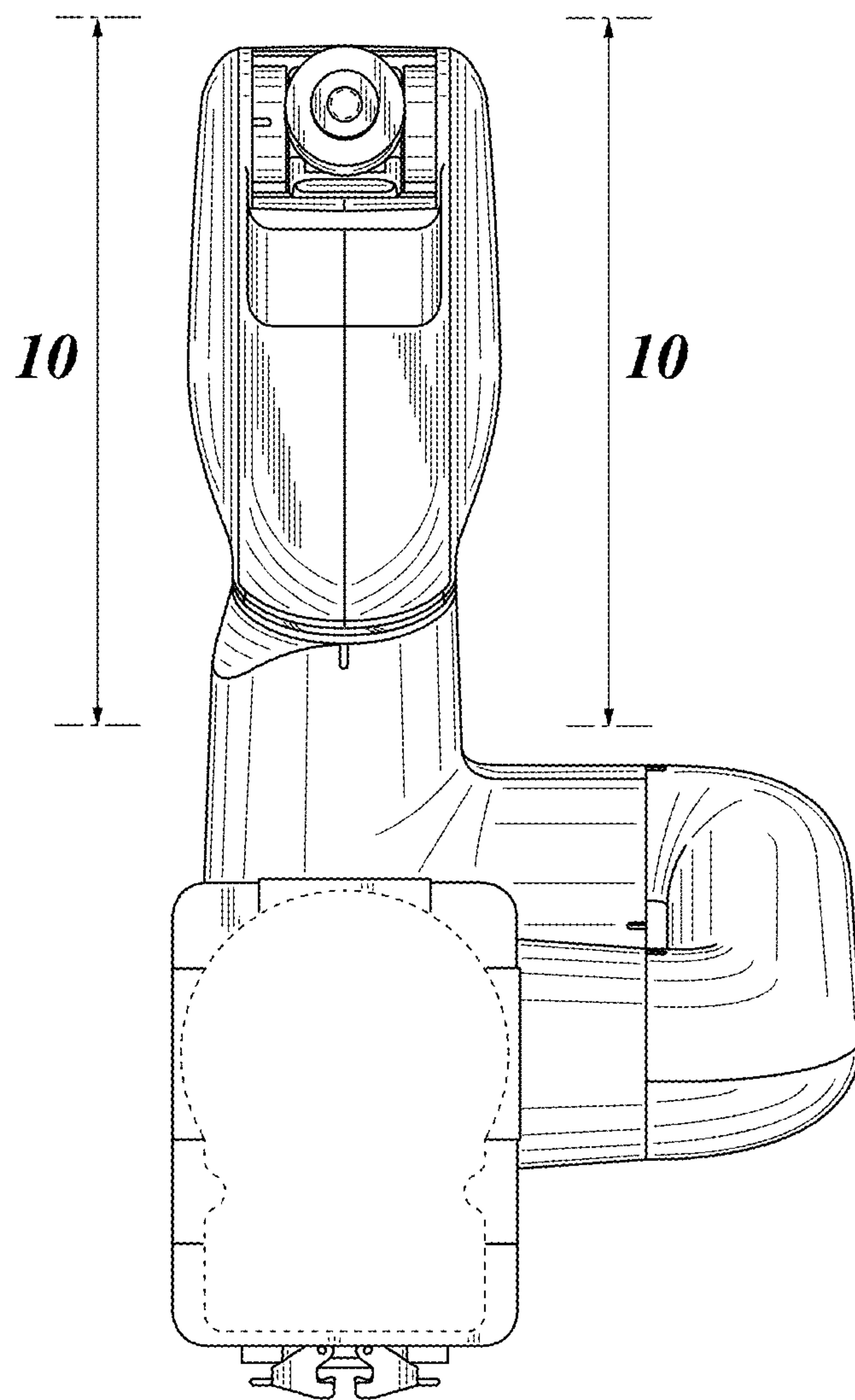


FIG. 7

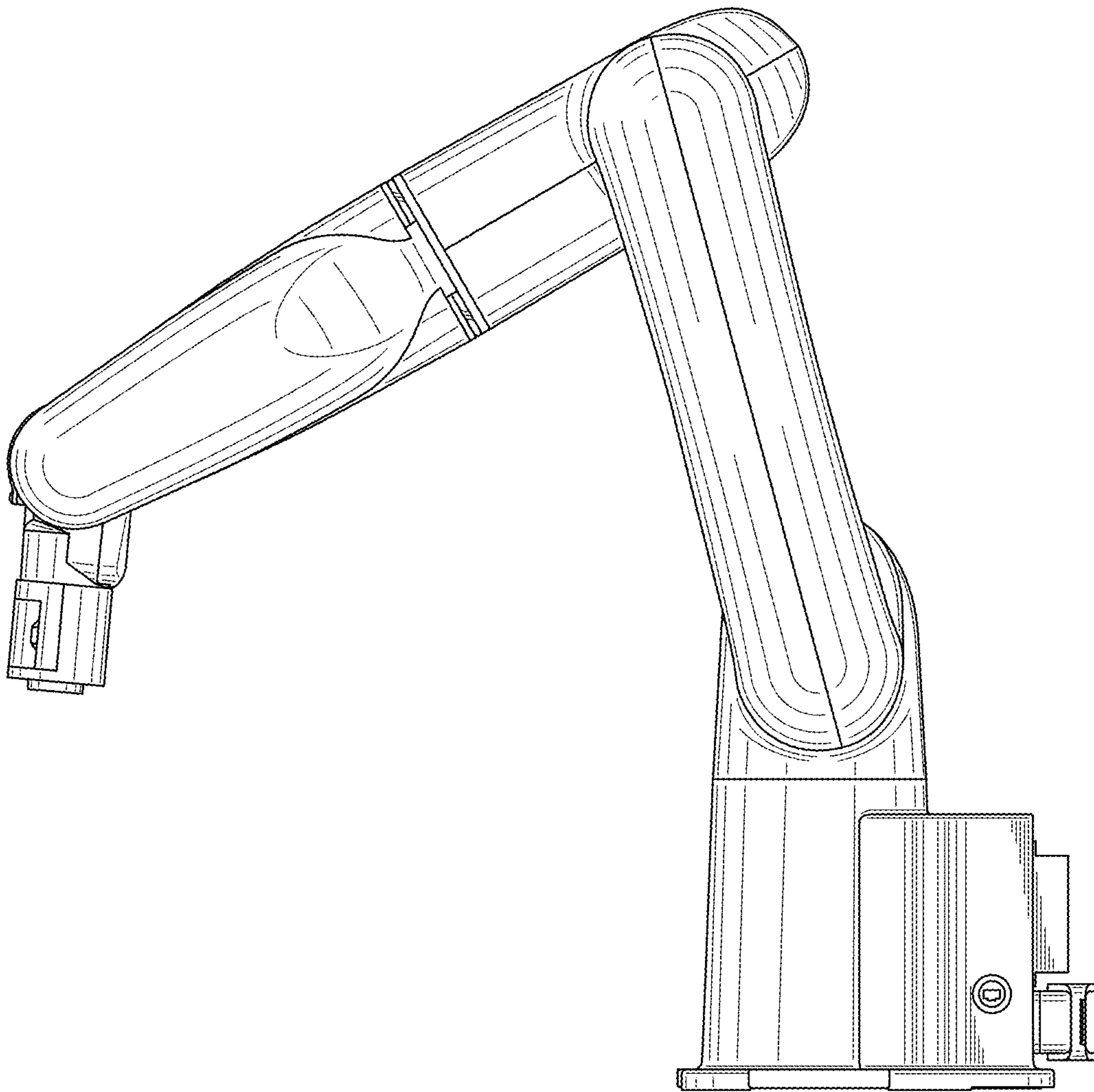


FIG. 8

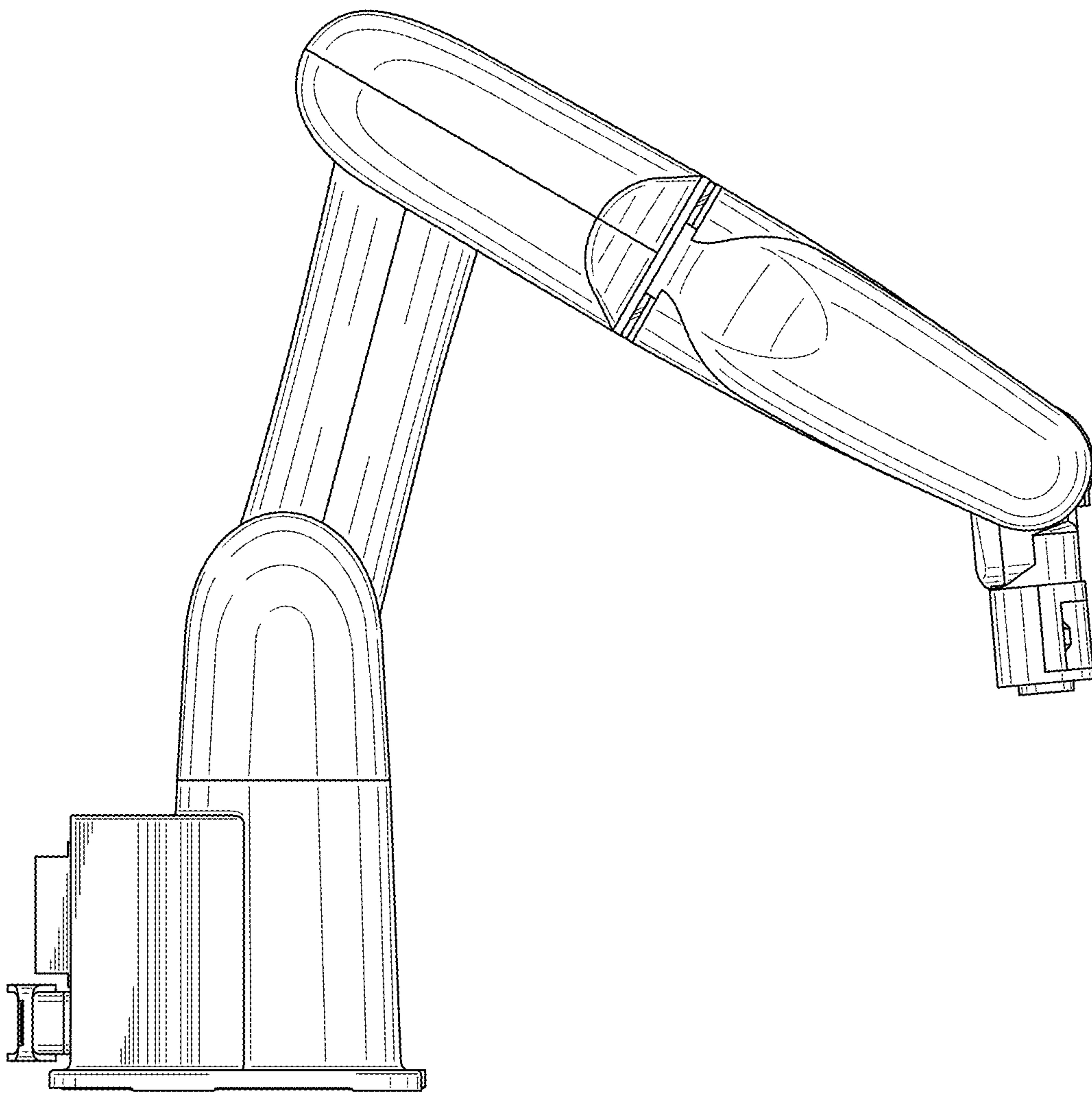


FIG. 9

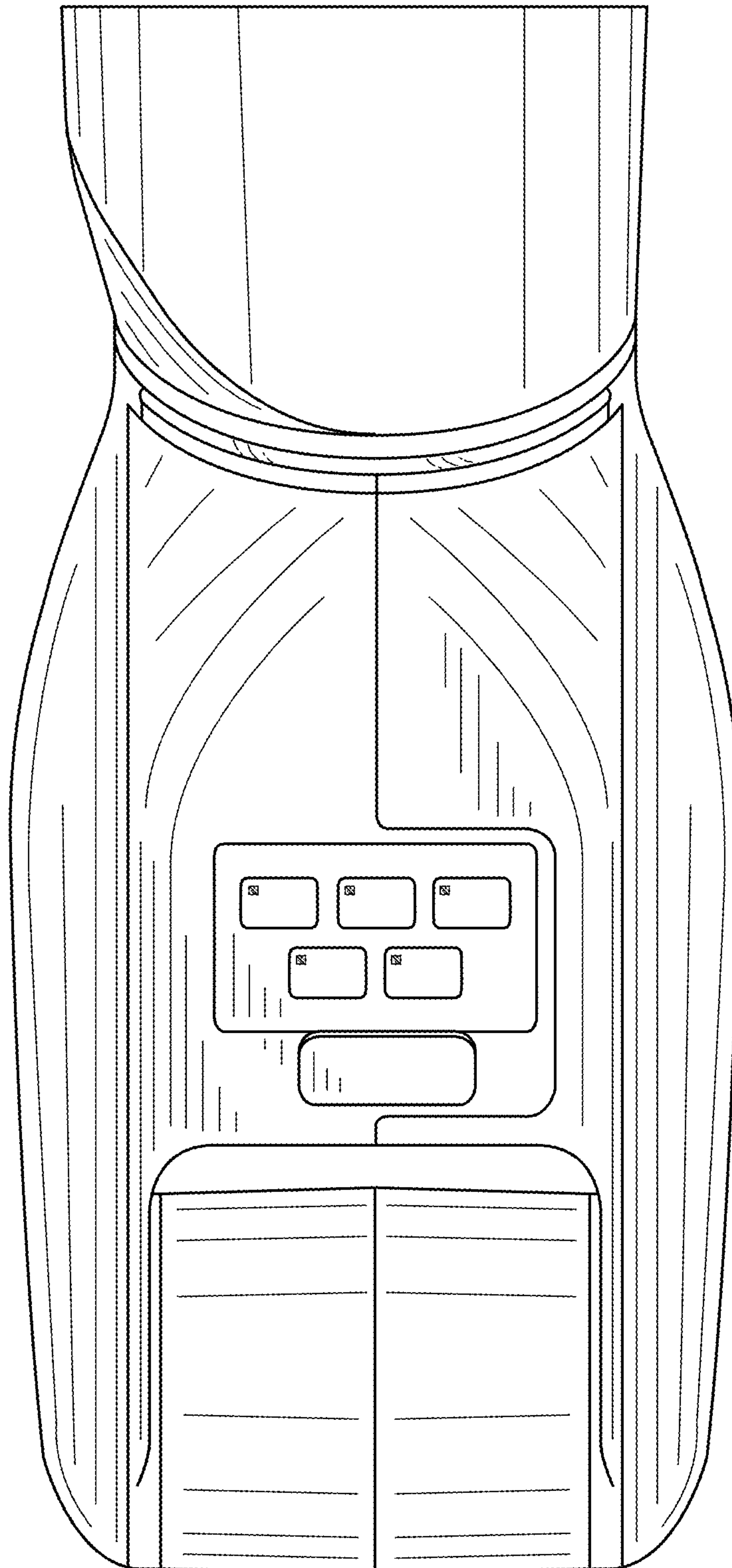


FIG. 10

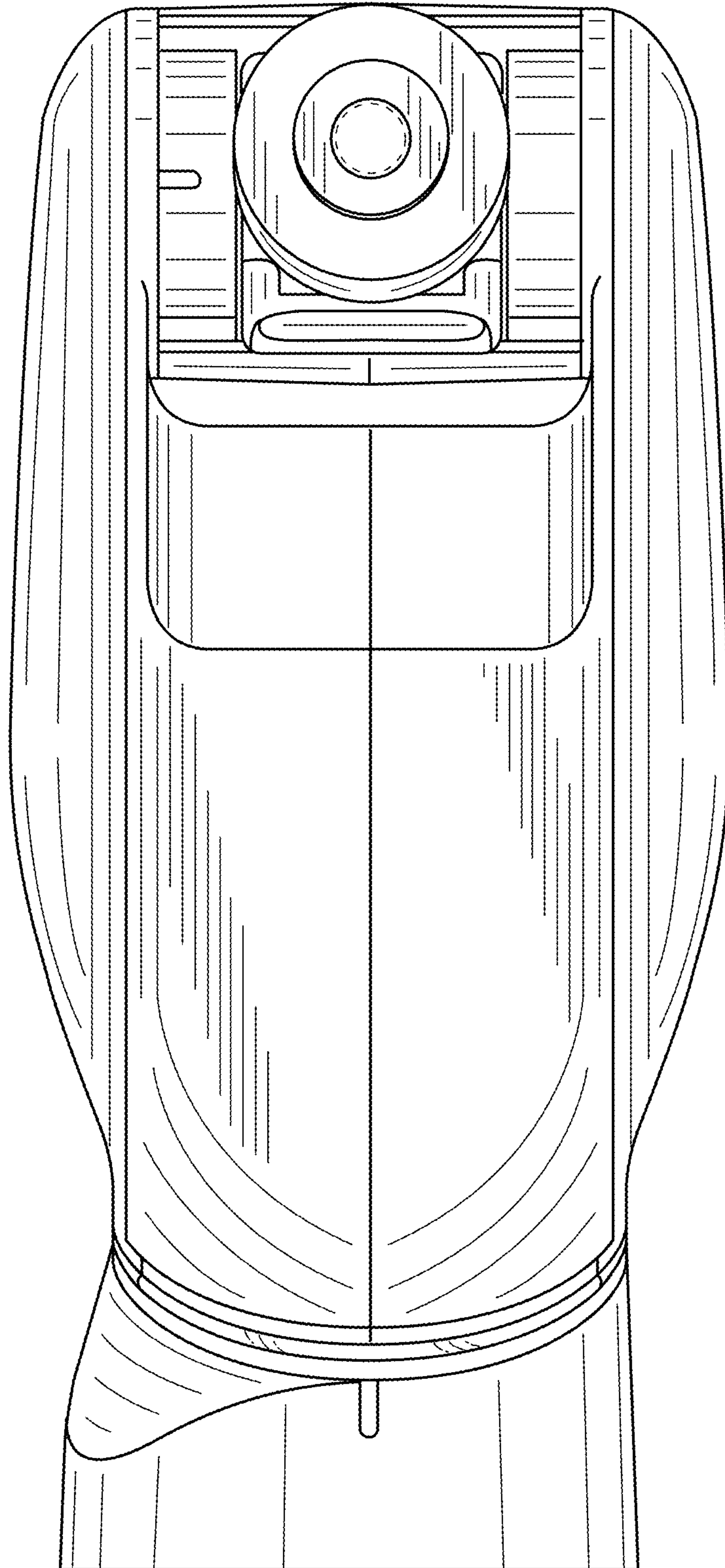


FIG. 11

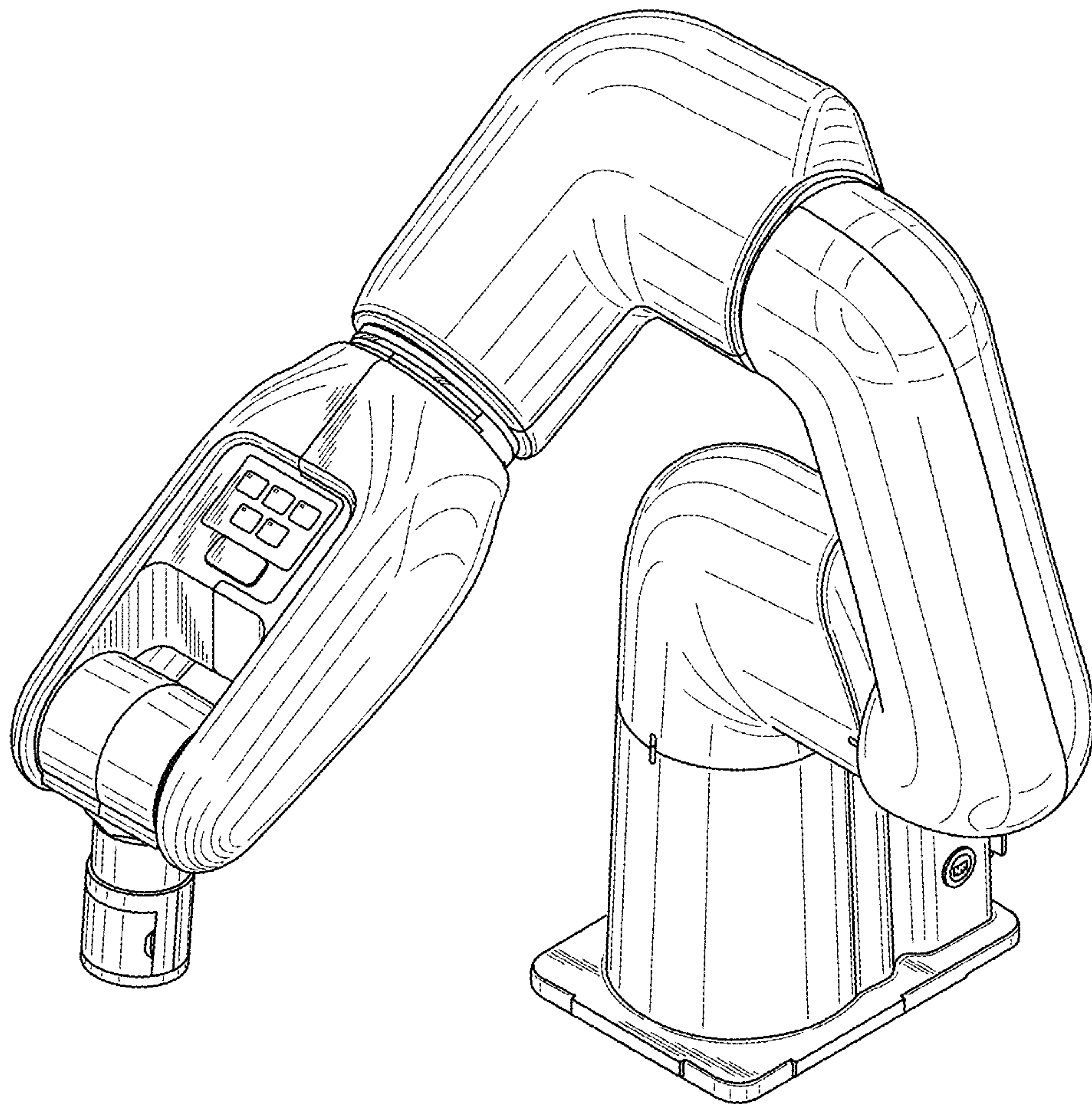


FIG. 12

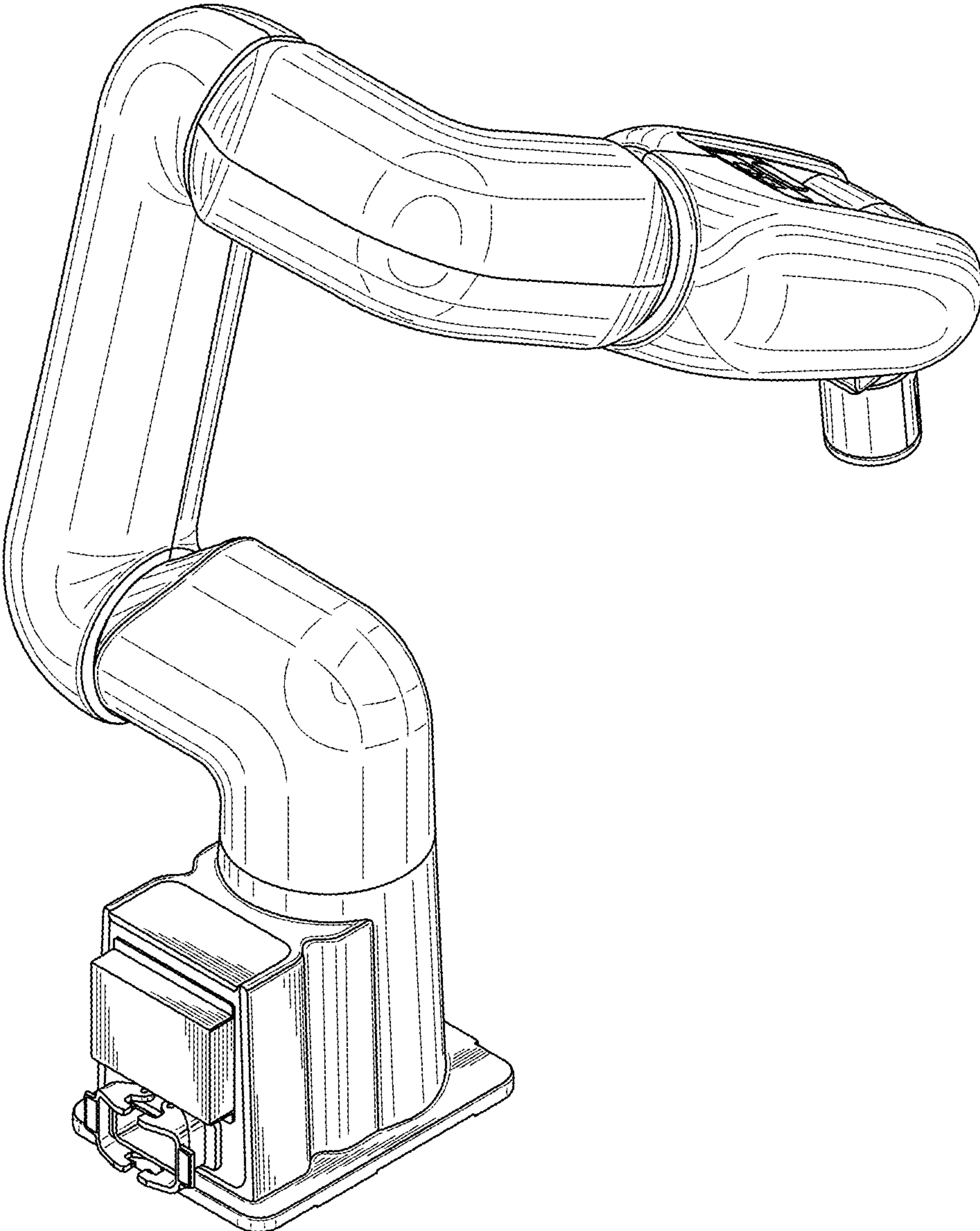


FIG. 13

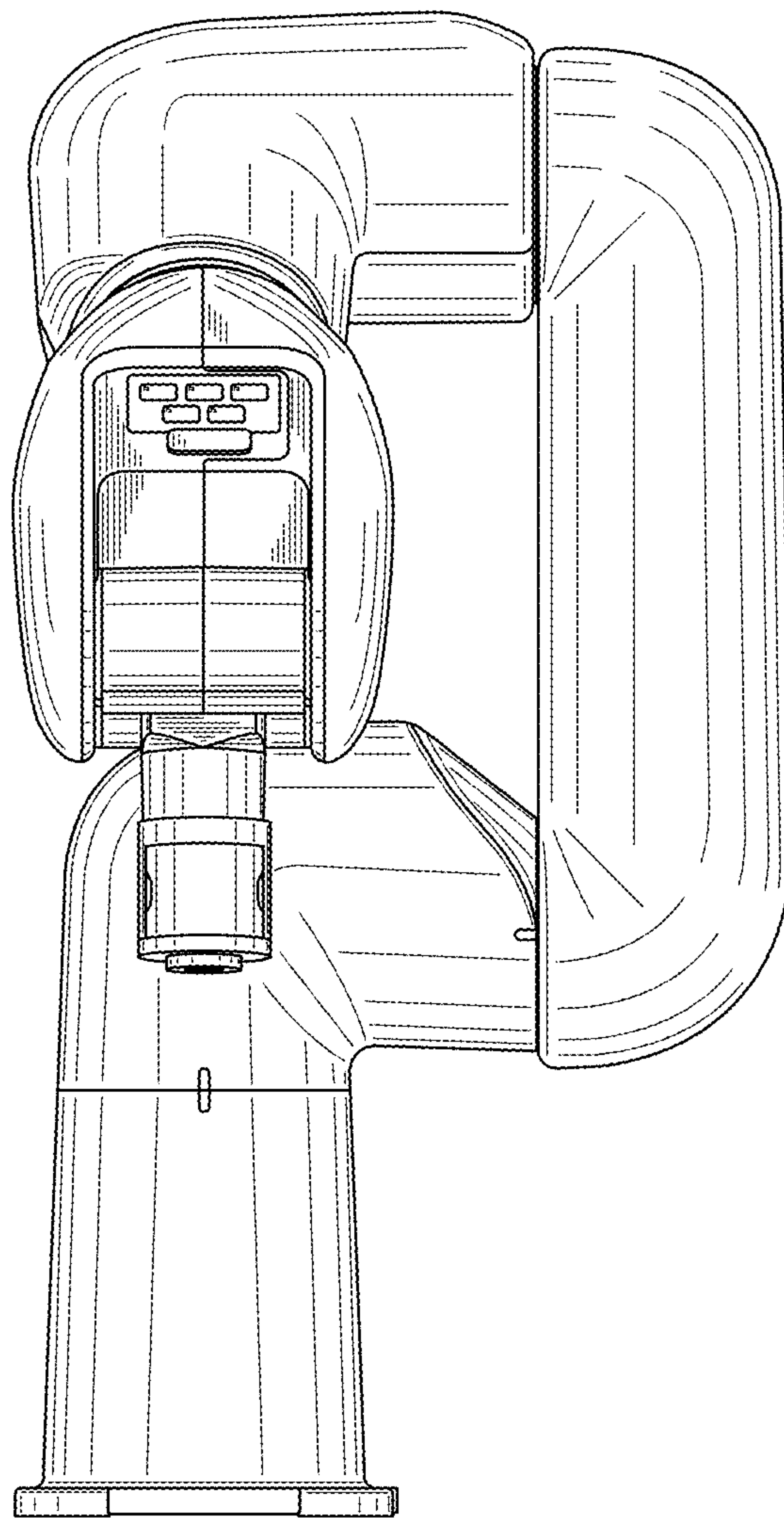


FIG. 14

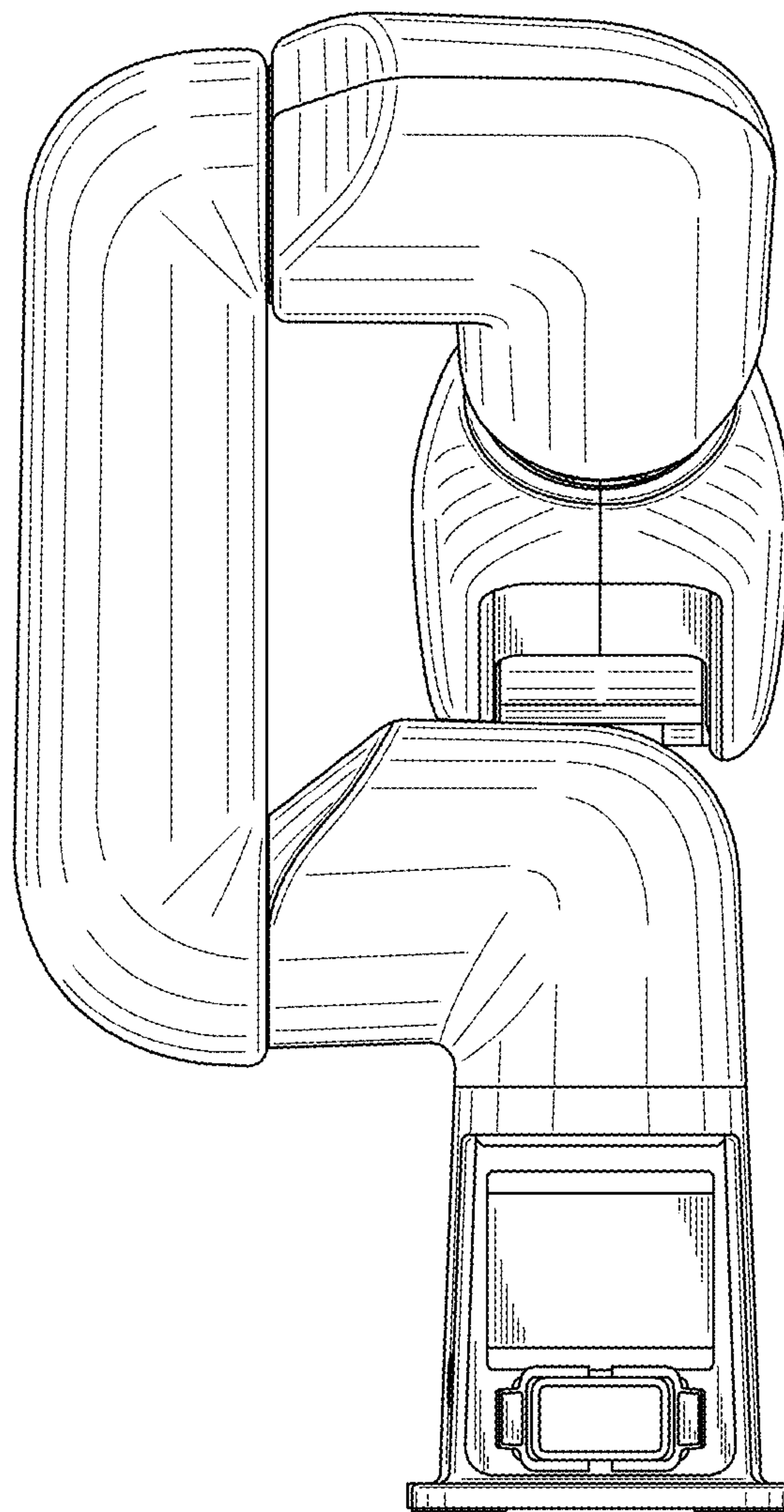


FIG. 15

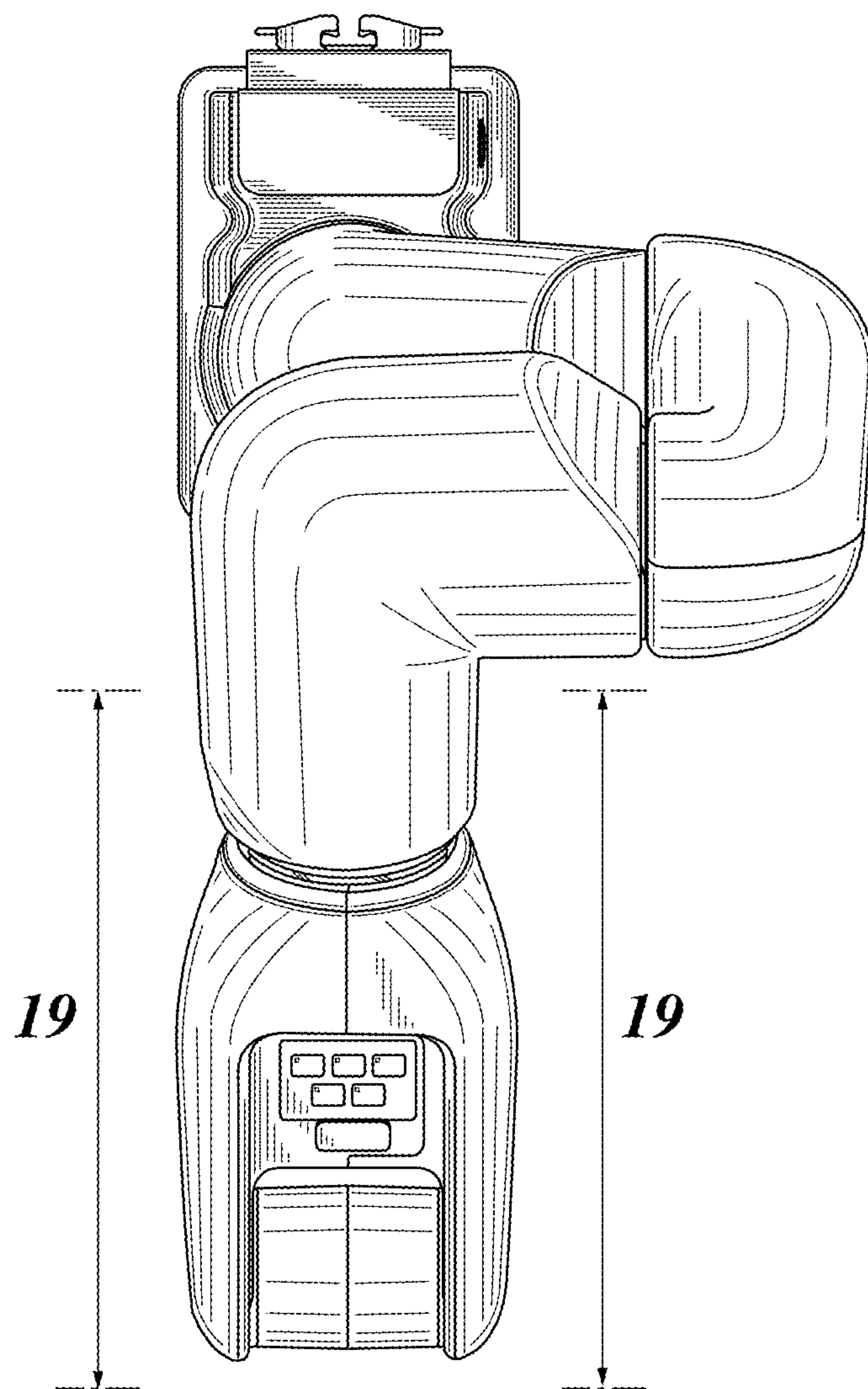


FIG. 16

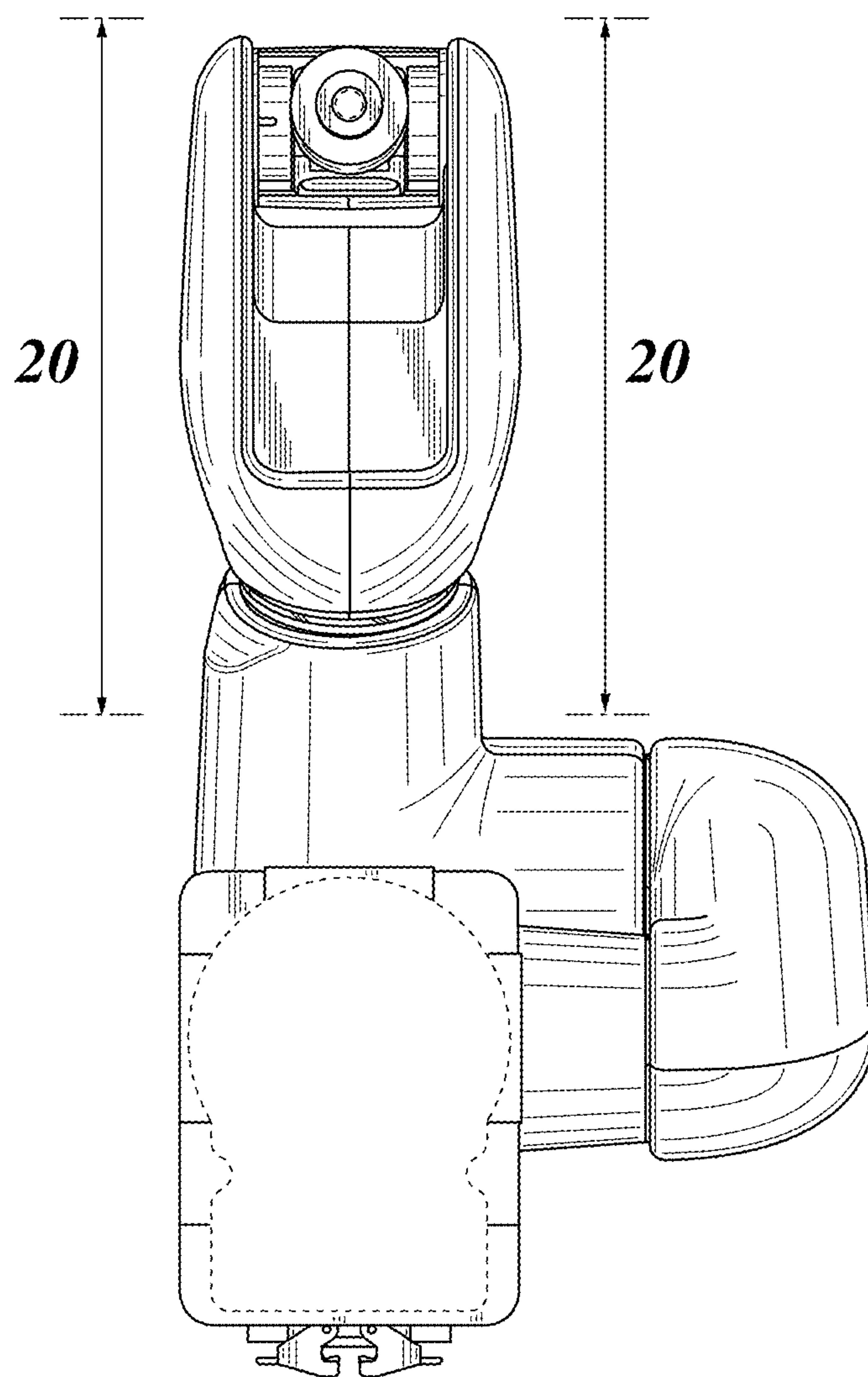


FIG. 17

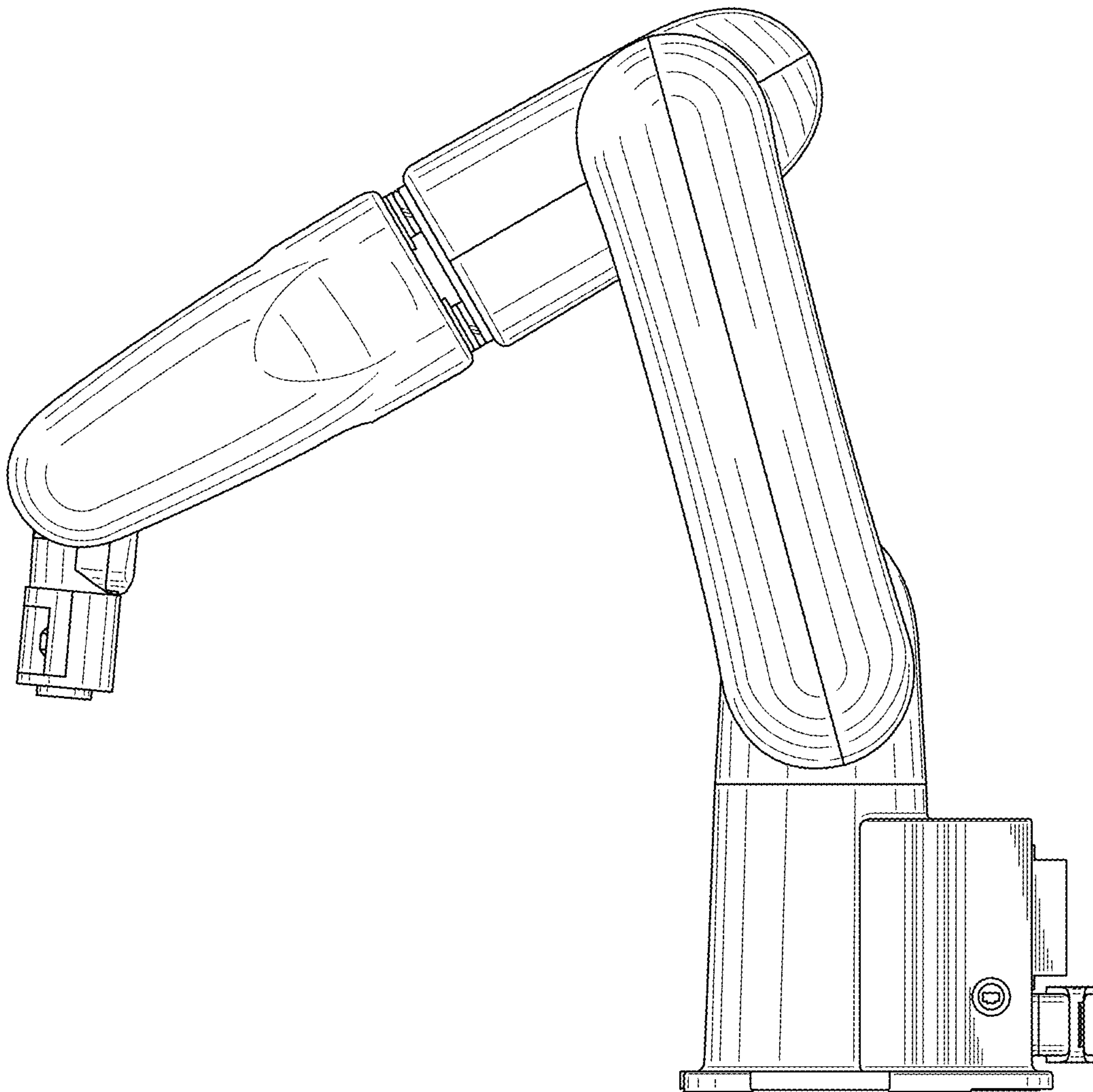


FIG. 18

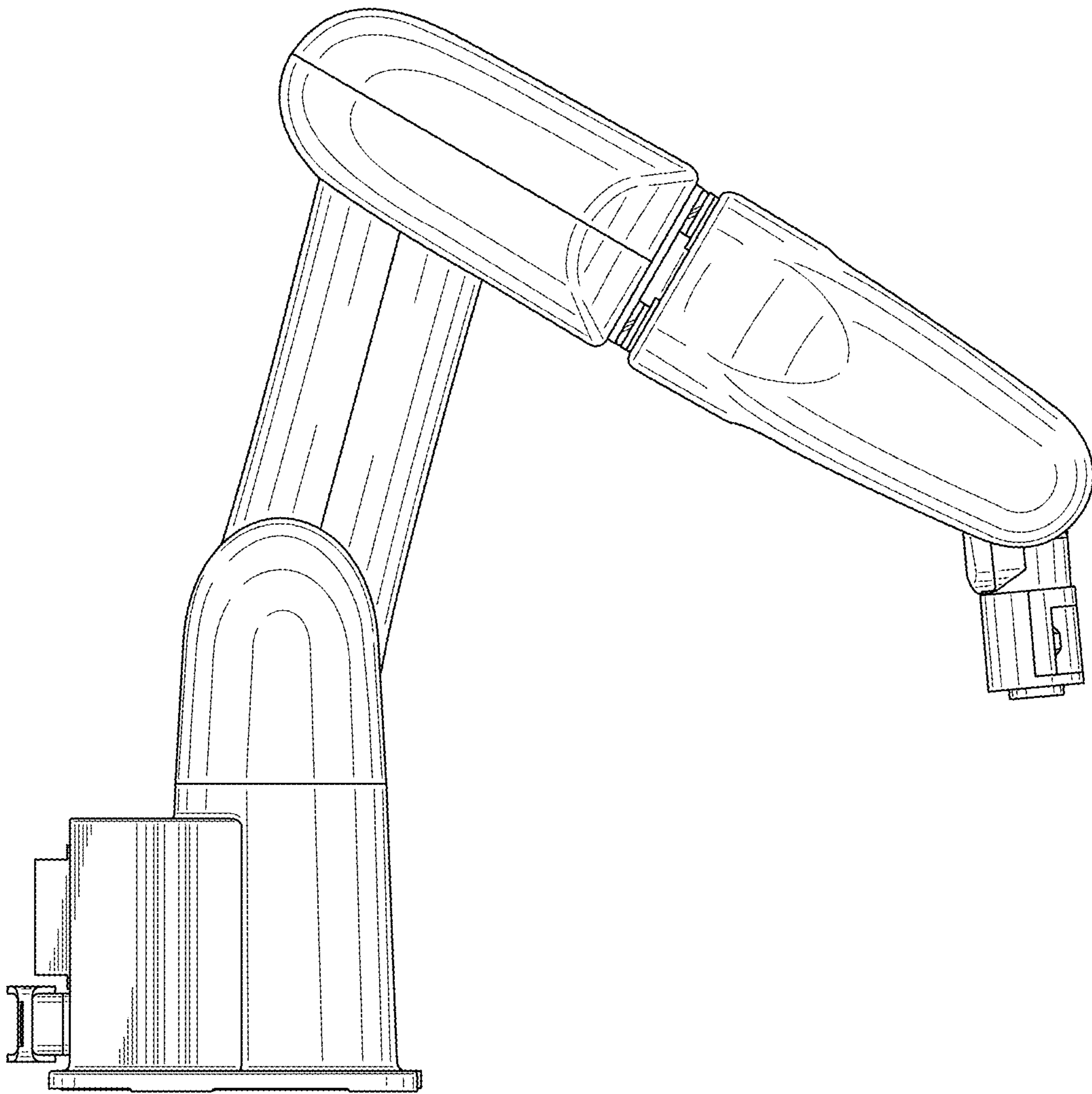


FIG. 19

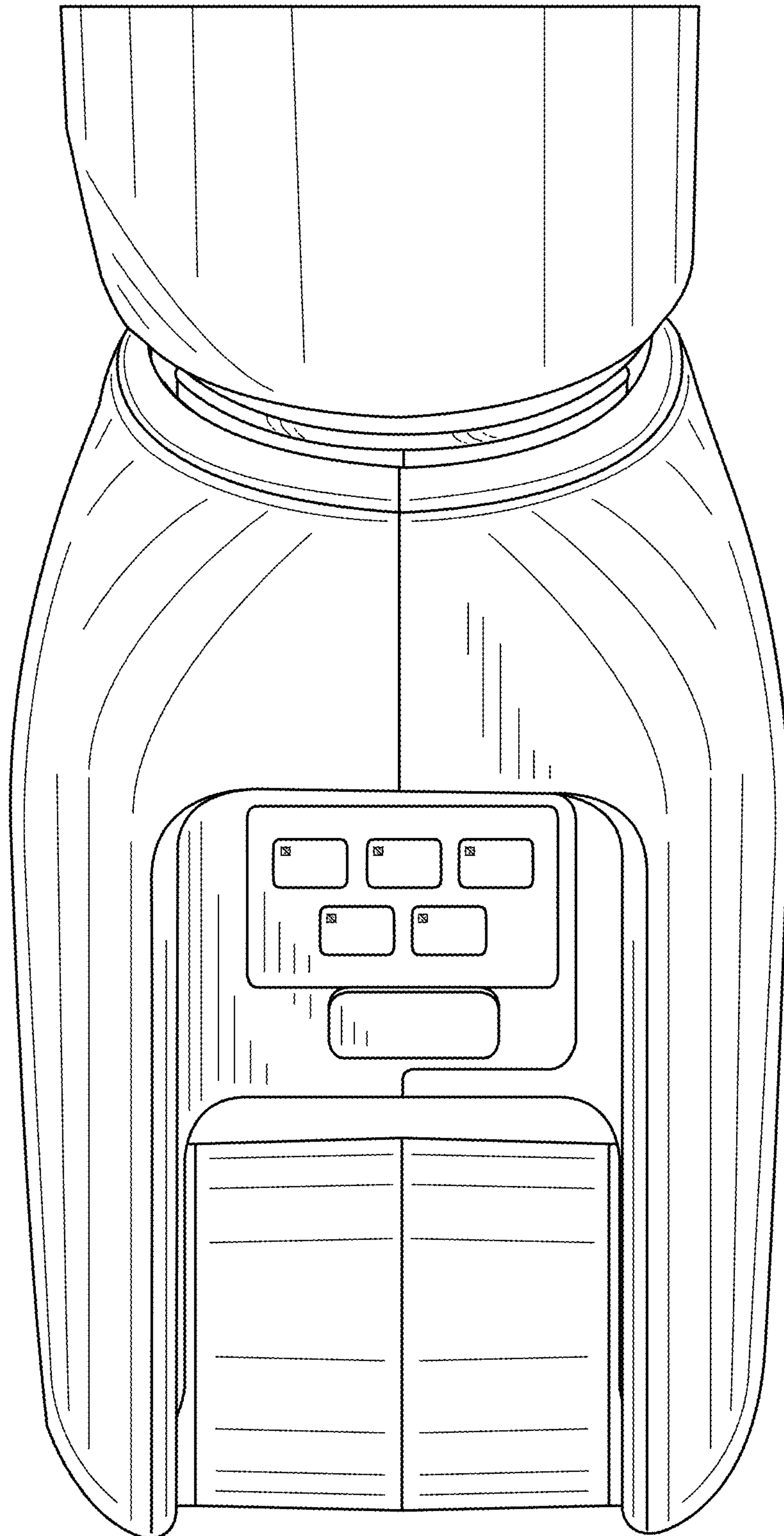


FIG. 20

