



US00D870168S

(12) **United States Design Patent** (10) **Patent No.:** **US D870,168 S**
Koskinen (45) **Date of Patent:** **** Dec. 17, 2019**

(54) **DRILL BIT** D504,141 S * 4/2005 Charland D15/139
6,883,624 B2 * 4/2005 McDonough E21B 10/16
175/335
(71) Applicant: **Mika Koskinen**, Tampere (FI) 6,929,079 B2 * 8/2005 McDonough E21B 10/16
175/420.1
(72) Inventor: **Mika Koskinen**, Tampere (FI) D514,416 S * 2/2006 Watson D15/140
7,117,939 B1 10/2006 Hawley
(73) Assignee: **ROBIT OYJ**, Lempaala (FI) 7,237,628 B2 * 7/2007 Desai E21B 10/55
175/406
(**) Term: **15 Years** 7,290,626 B2 11/2007 Terlet
D574,403 S * 8/2008 Brady D15/139
D611,512 S * 3/2010 Sundin D15/139
(21) Appl. No.: **29/642,910** D611,970 S * 3/2010 Sundin D15/139
D674,422 S * 1/2013 Hall D15/131
(22) Filed: **Apr. 3, 2018** (Continued)

(30) **Foreign Application Priority Data**
Mar. 13, 2018 (EM) 004752954-0002
(51) **LOC (12) Cl.** **15-09**
(52) **U.S. Cl.**
USPC **D15/139**
(58) **Field of Classification Search**
USPC D8/6, 70, 71, 86; D15/21, 28, 131, 132,
D15/138, 139, 140
CPC E21B 17/16; E21B 10/04; E21B 10/58;
B28D 1/186; B28D 1/188; E21C 35/197;
Y10T 408/352; Y10T 408/45
See application file for complete search history.

FOREIGN PATENT DOCUMENTS
JP 2003166390 6/2003
KR 20150014276 6/2015
WO 9813575 4/1998

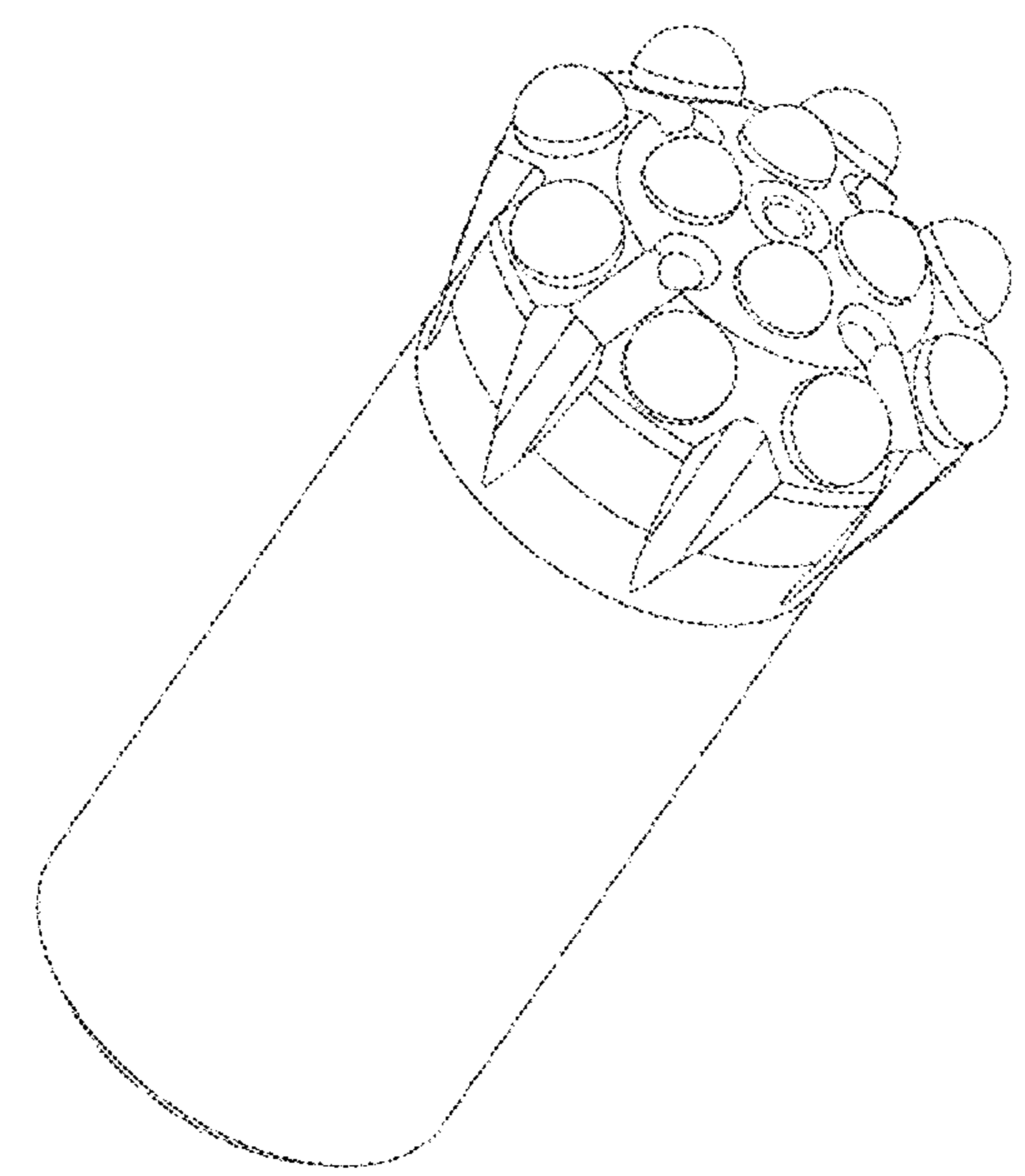
OTHER PUBLICATIONS
U.S. Office Action, U.S. Appl. No. 29/642,907 dated Mar. 21, 2019.
Primary Examiner — Garth Rademaker
Assistant Examiner — Fritzgerald L Butac
(74) *Attorney, Agent, or Firm* — Thompson Hine LLP

(56) **References Cited**
U.S. PATENT DOCUMENTS
3,918,538 A 11/1975 Bender
4,716,976 A * 1/1988 Isakov E21B 10/38
175/415
4,919,221 A 4/1990 Pascale
5,839,519 A 11/1998 Spedale, Jr.
5,890,551 A 4/1999 Liljebrand
6,035,953 A 3/2000 Rear
6,039,127 A 3/2000 Myers
6,435,288 B1 8/2002 Dobran
D496,948 S 10/2004 Charland

(57) **CLAIM**
The ornamental design for a drill bit, as shown.

DESCRIPTION
FIG. 1 is an end view of the design;
FIG. 2 is a side view of the design of FIG. 1;
FIG. 3 is a first perspective view of the design of FIG. 1; and,
FIG. 4 is a second perspective view of the design of FIG. 1.
The broken lines show portions of a drill bit that form no part
of the claimed design.

1 Claim, 4 Drawing Sheets



(56)

References Cited

U.S. PATENT DOCUMENTS

D678,368	S *	3/2013	Hall	D15/131
D682,325	S *	5/2013	Monyak	D15/139
D682,326	S *	5/2013	Monyak	D15/139
D705,827	S *	5/2014	Hammargren	D15/139
8,936,109	B2 *	1/2015	Stowe, II	B24D 99/005 175/57
D725,164	S *	3/2015	Guerriero	D15/139
D750,674	S *	3/2016	Dunnahoe	D15/139
D818,152	S *	5/2018	Stevens	D25/199
D823,908	S *	7/2018	Osterholm	D15/139
D828,415	S *	9/2018	Ota	D15/139
D828,416	S *	9/2018	Ota	D15/139
D831,714	S *	10/2018	Osterholm	D15/139
D832,318	S *	10/2018	Ota	D15/139
D833,490	S *	11/2018	Defougeres	D15/139
D834,074	S *	11/2018	Palushaj	D15/126
D835,167	S *	12/2018	Sakai	D15/139
D837,845	S *	1/2019	Jones	D15/138
D837,846	S *	1/2019	Ogata	D15/139
D837,847	S *	1/2019	Min	D15/139
D838,566	S *	1/2019	Moss	D8/70
D838,754	S *	1/2019	Wang	D15/139
D840,449	S *	2/2019	Wang	D15/139
D841,425	S *	2/2019	Moss	D8/86
10,207,342	B2 *	2/2019	Mura	B23C 5/109
2002/0153174	A1	10/2002	Linden		
2004/0040752	A1	3/2004	Brandenberg		
2006/0060389	A1	3/2006	Hadin		
2006/0162965	A1	7/2006	Hadin		
2007/0137900	A1	6/2007	Bjork		

* cited by examiner

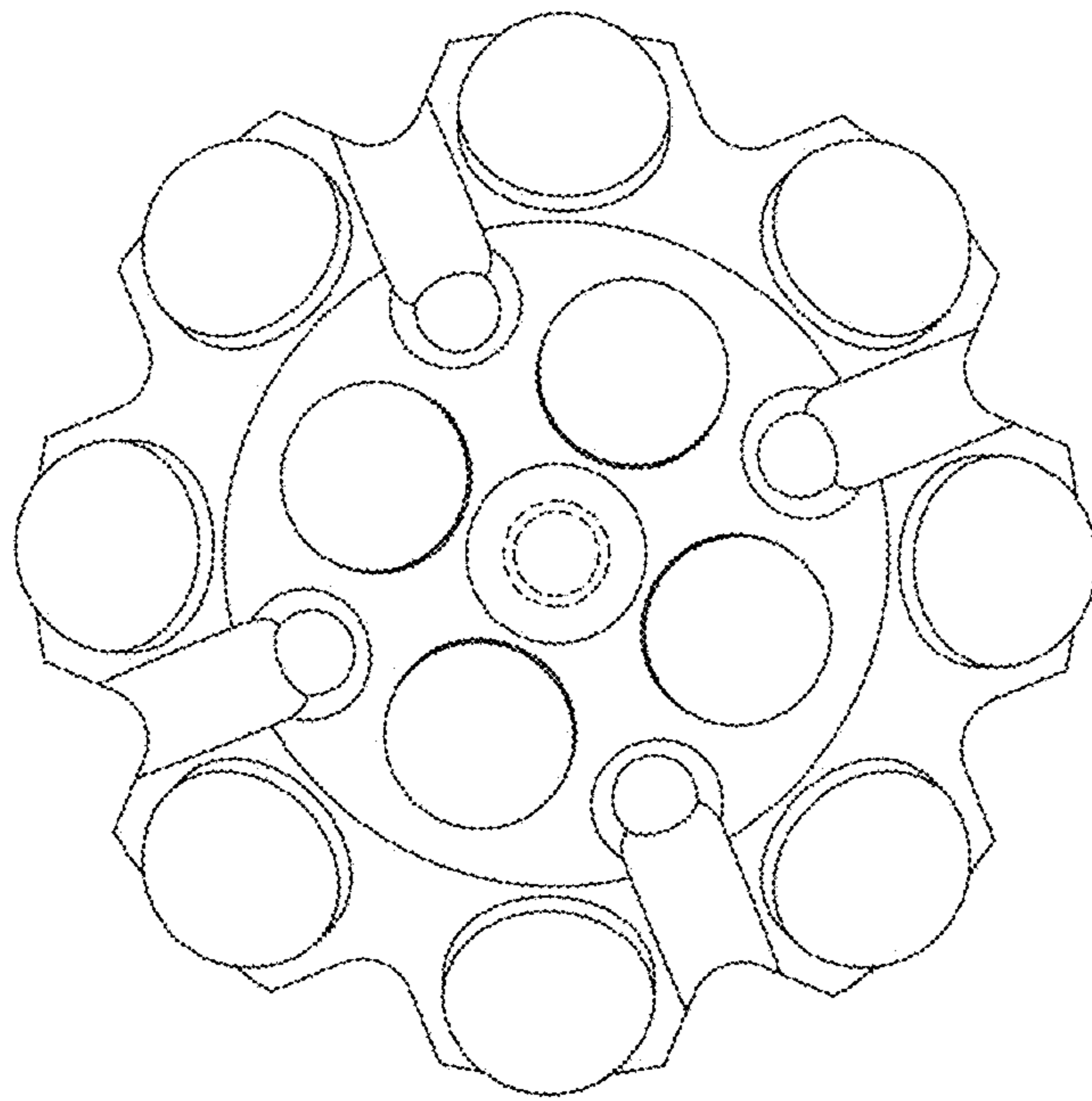


Fig. 1

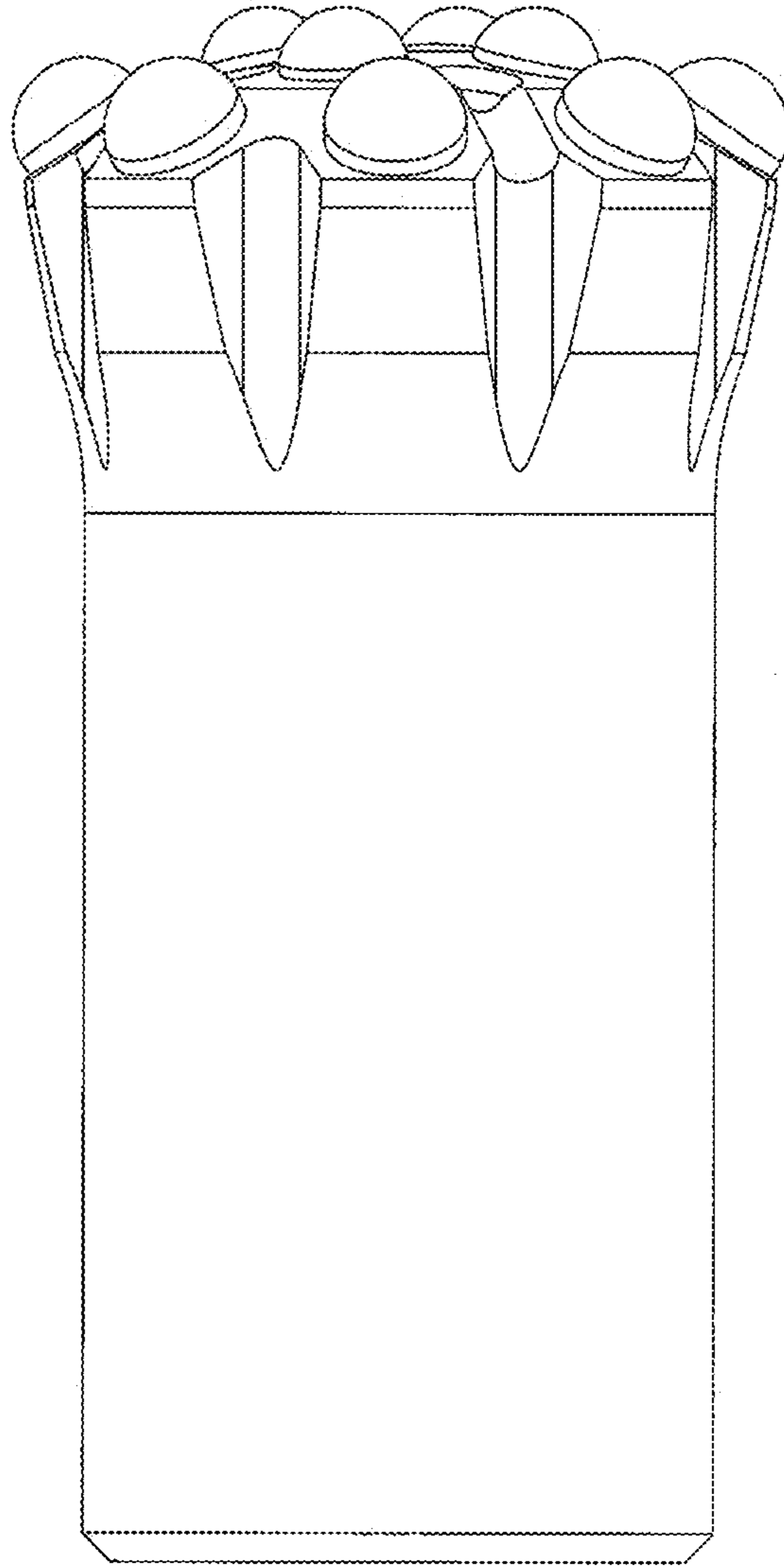


Fig. 2

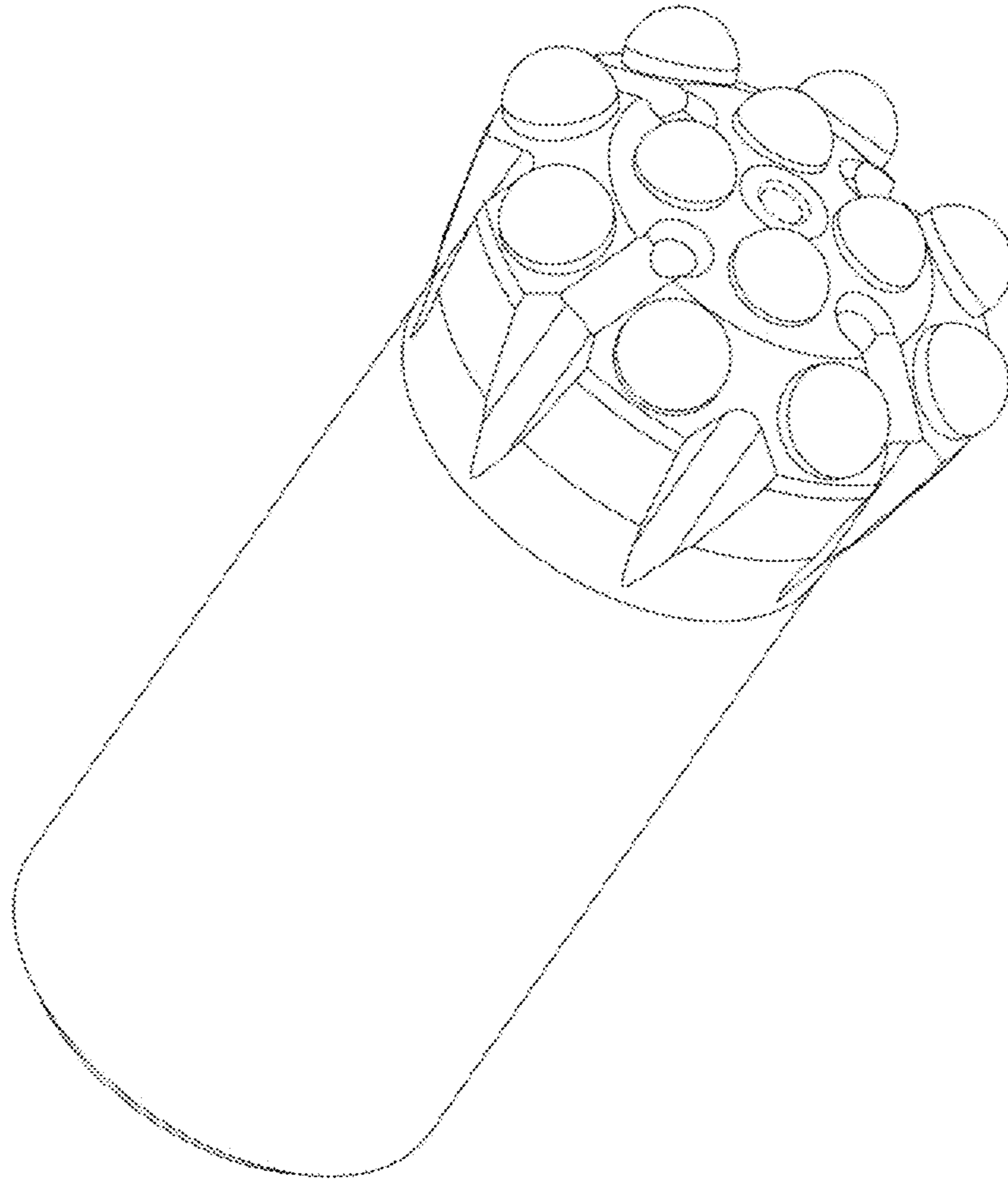


Fig. 3

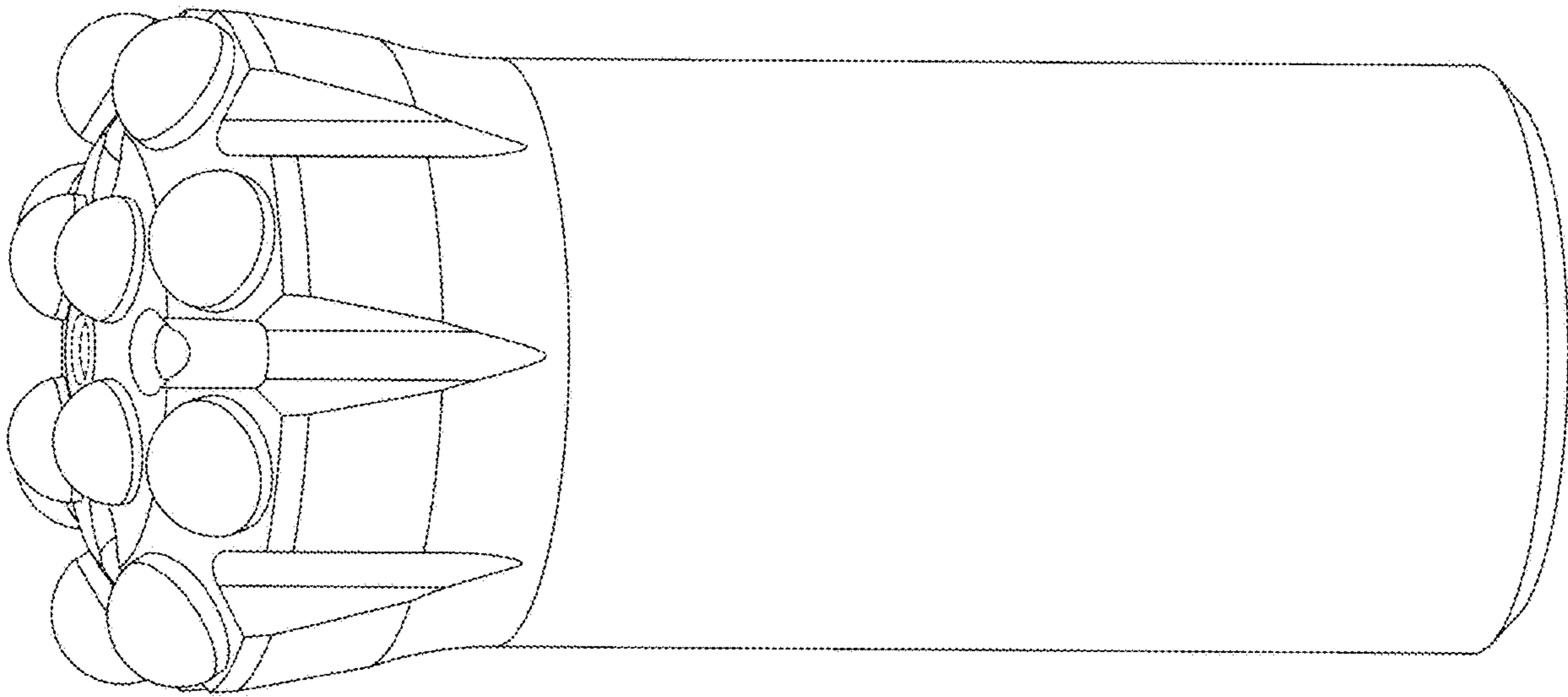


Fig. 4