



US00D870167S

(12) **United States Design Patent** (10) **Patent No.:** **US D870,167 S**  
**Firth** (45) **Date of Patent:** **\*\* Dec. 17, 2019**

(54) **WORKSTATION PROJECT SAW**

(56) **References Cited**

(71) Applicant: **Power Box AG**, Zug (CH)

U.S. PATENT DOCUMENTS

(72) Inventor: **Robert Firth**, York (GB)

D394,071	S	*	5/1998	Ceroll	.....	D15/133
D411,090	S	*	6/1999	Chang	.....	D15/133
D425,529	S	*	5/2000	Svetlik	.....	D15/133
D442,190	S	*	5/2001	Chen	.....	D15/133
D445,119	S	*	7/2001	Ceroll	.....	D15/133
D458,947	S	*	6/2002	Svetlik	.....	D15/133
D510,048	S	*	9/2005	Wright	.....	D15/133
D523,038	S	*	6/2006	Wright	.....	D15/133
D527,032	S	*	8/2006	Welsh	.....	D15/133
D545,330	S	*	6/2007	DiPasquale	.....	D15/133
D569,402	S	*	5/2008	DiPasquale	.....	D15/133
D571,829	S	*	6/2008	Welsh	.....	D15/133
D571,830	S	*	6/2008	Wright	.....	D15/133
D574,024	S	*	7/2008	Ceroll	.....	D15/133
D594,484	S	*	6/2009	Leasure	.....	D15/133
D602,053	S	*	10/2009	Heflin	.....	D15/133
D611,070	S	*	3/2010	Firth	.....	D15/133
D626,157	S	*	10/2010	Jebb	.....	D15/133
D626,158	S	*	10/2010	Jebb	.....	D15/133
D663,328	S	*	7/2012	Taylor	.....	D15/133
D704,235	S	*	5/2014	Liu	.....	B23D 45/048 D15/133
D715,337	S	*	10/2014	Scherl	.....	D15/133

(73) Assignee: **Power Box AG**, Zug (CH)

(\*\*) Term: **15 Years**

(21) Appl. No.: **29/647,700**

(22) Filed: **May 15, 2018**

**Related U.S. Application Data**

(63) Continuation of application No. 29/567,613, filed on Jun. 10, 2016, now abandoned.

(30) **Foreign Application Priority Data**

May 12, 2016 (EP) ..... 003124254

(51) **LOC (12) Cl.** ..... **15-03**

(52) **U.S. Cl.**  
USPC ..... **D15/133**

(58) **Field of Classification Search**  
USPC ..... D15/124-134, 138-143, 28, 29, 9, 17;  
D8/8, 66, 70  
CPC .... B23D 47/025; B23D 59/001; B23D 45/06;  
B23D 45/068; B23D 45/062; B23D  
47/02; B23D 59/006; B23D 45/044;  
B23D 45/048; B23D 45/065; B23D  
47/08; B23D 47/12; B23D 59/00; B23D  
45/024; B23D 45/042; B23D 45/066;  
B23D 45/14; B23D 45/146; B23D 45/16;  
B23D 47/00; B23D 47/045; B23D 47/10;  
B23D 47/123; B23D 57/0092; B23D  
59/003

See application file for complete search history.

(Continued)

*Primary Examiner* — Khawaja Anwar

(74) *Attorney, Agent, or Firm* — Gable Gotwals

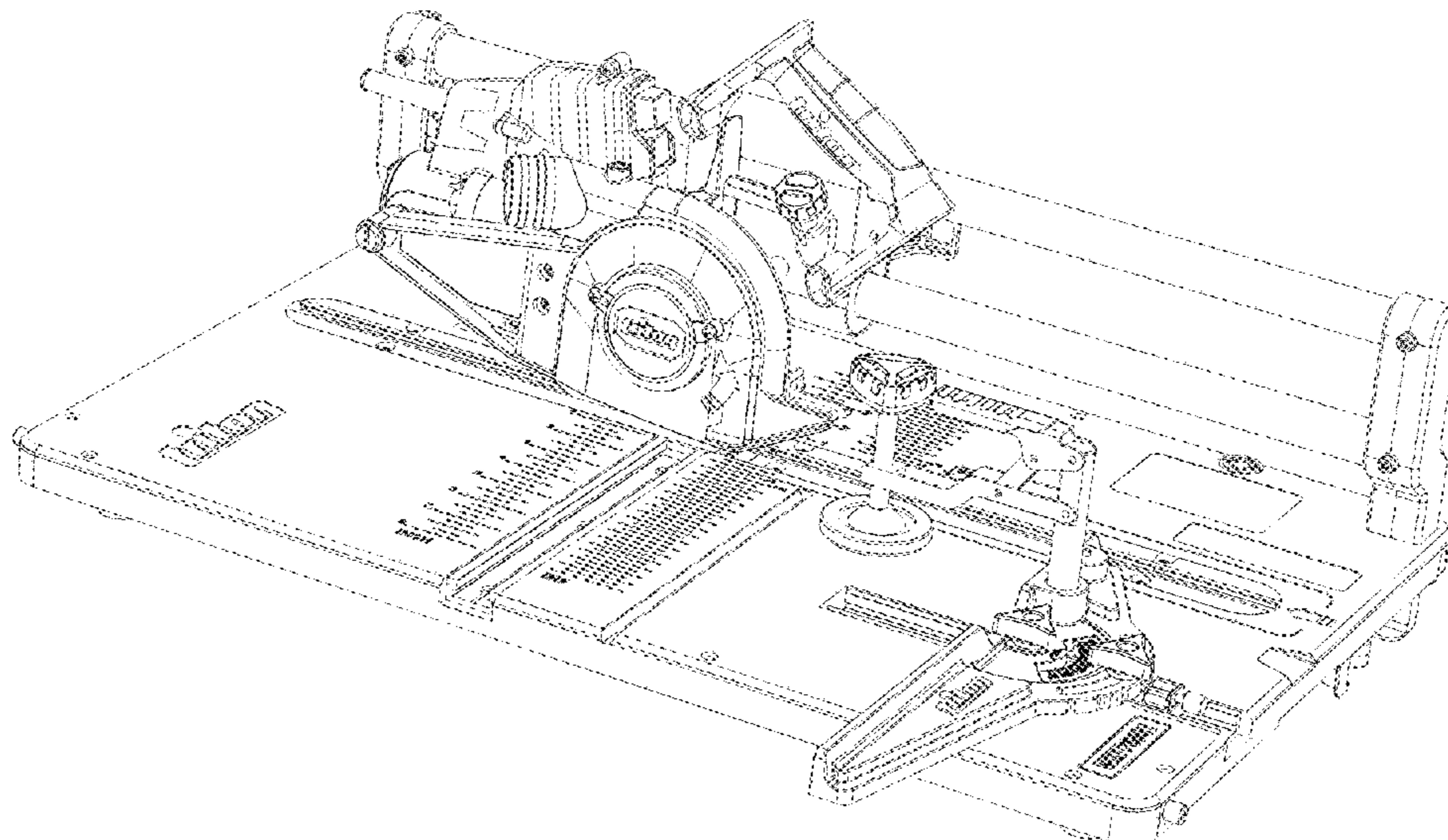
(57) **CLAIM**

I claim the ornamental design for a workstation project saw, as shown and described.

**DESCRIPTION**

FIG. 1 is a PERSPECTIVE view of my new design for a workstation project saw as shown in the drawings;  
FIG. 2 is a TOP view thereof;  
FIG. 3 is a BOTTOM view thereof;  
FIG. 4 is a FRONT view thereof;  
FIG. 5 is a BACK view thereof;  
FIG. 6 is a RIGHT view thereof; and,  
FIG. 7 is a LEFT view thereof.

**1 Claim, 7 Drawing Sheets**



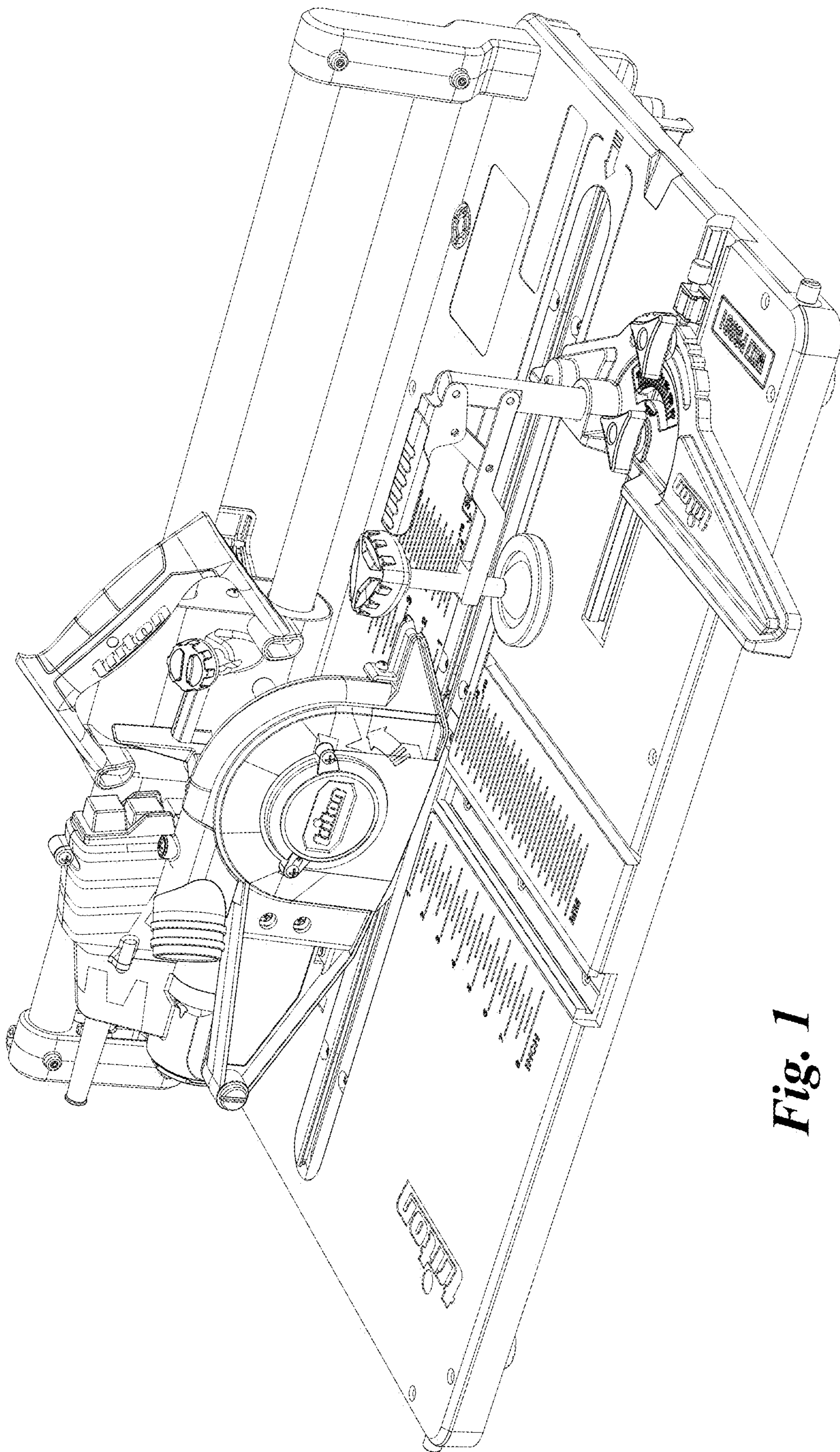
(56)

**References Cited**

U.S. PATENT DOCUMENTS

D719,469 S \* 12/2014 Lane ..... D10/65  
D761,337 S \* 7/2016 Eiswerth ..... D15/133

\* cited by examiner



**Fig. 1**

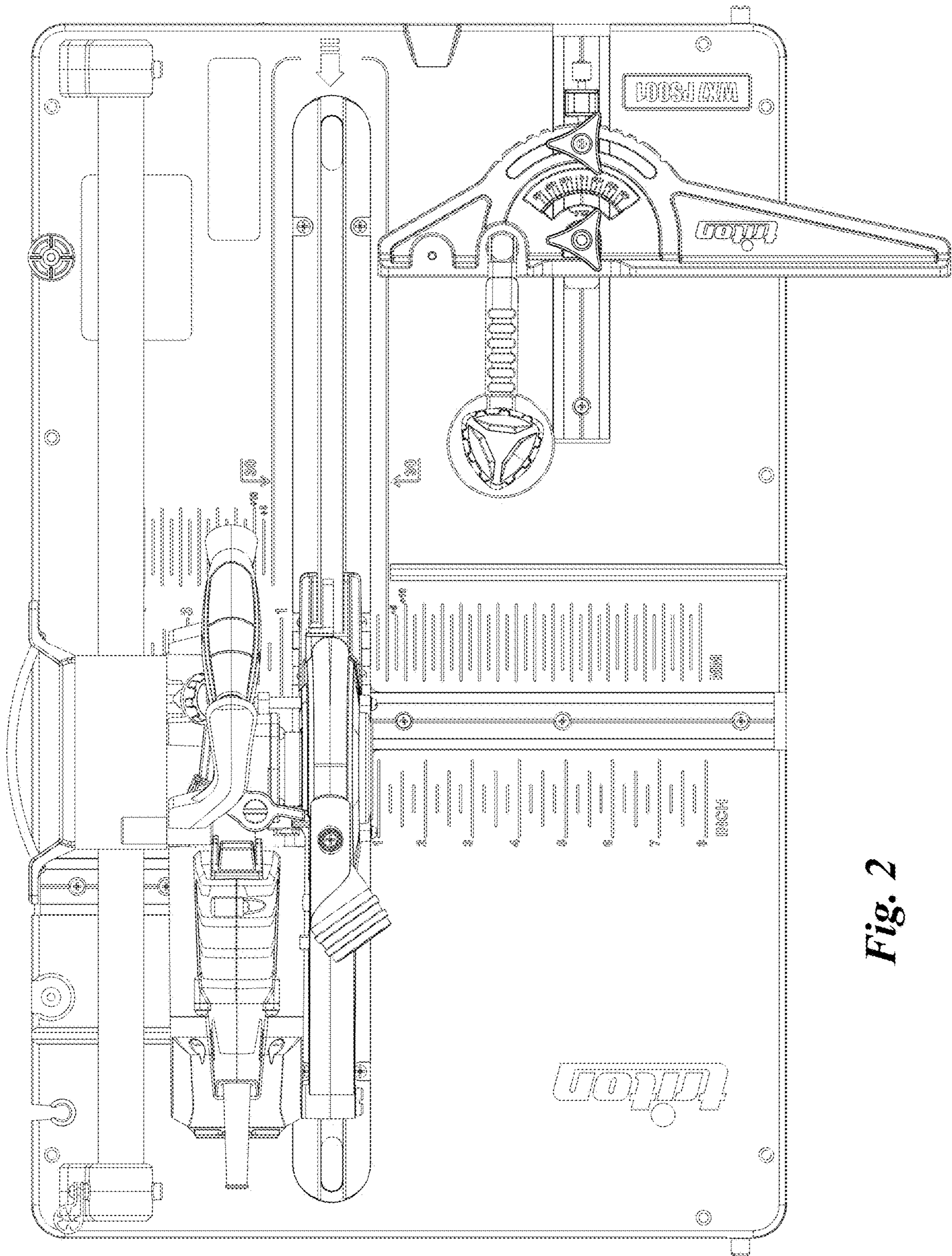
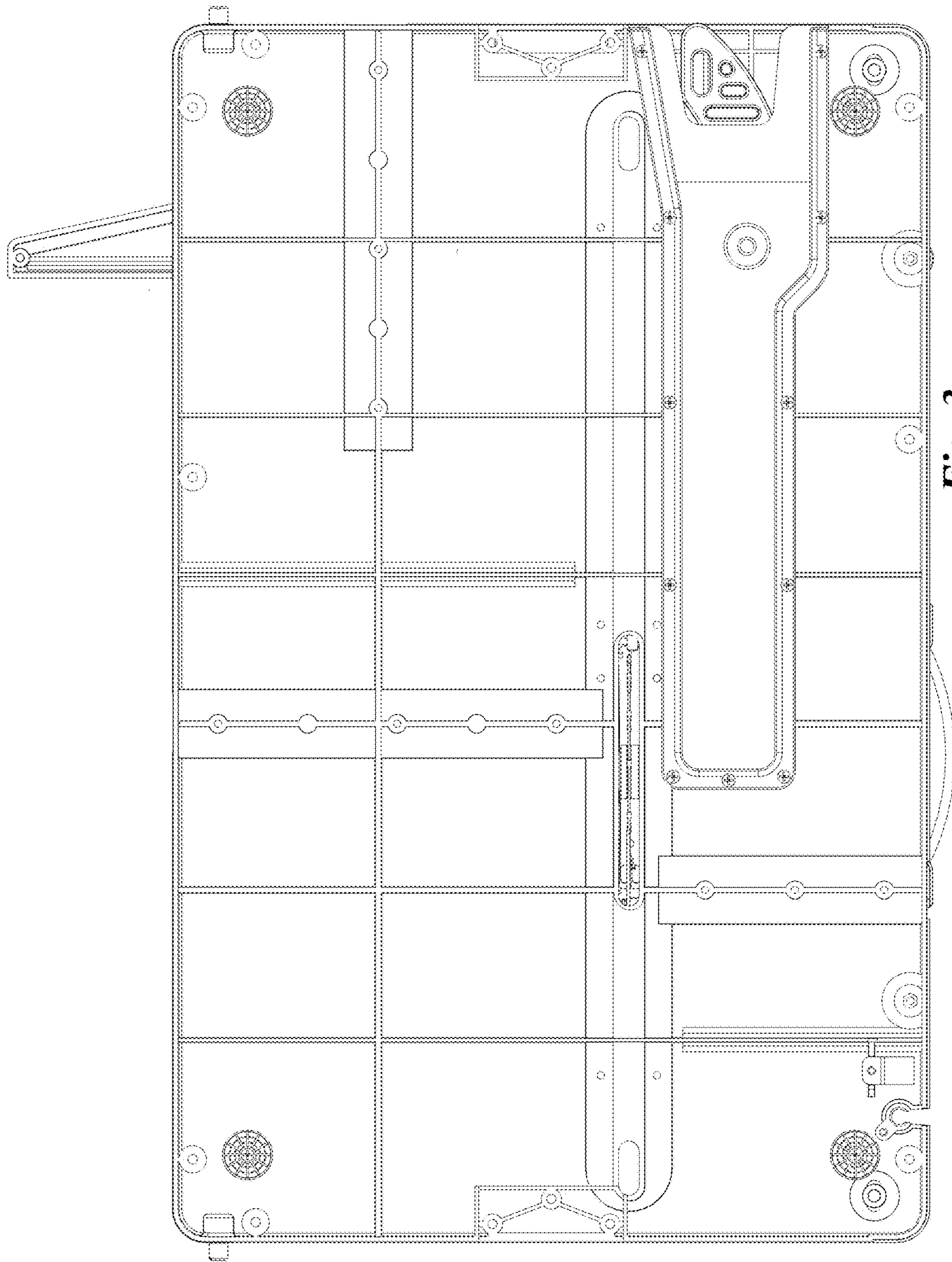
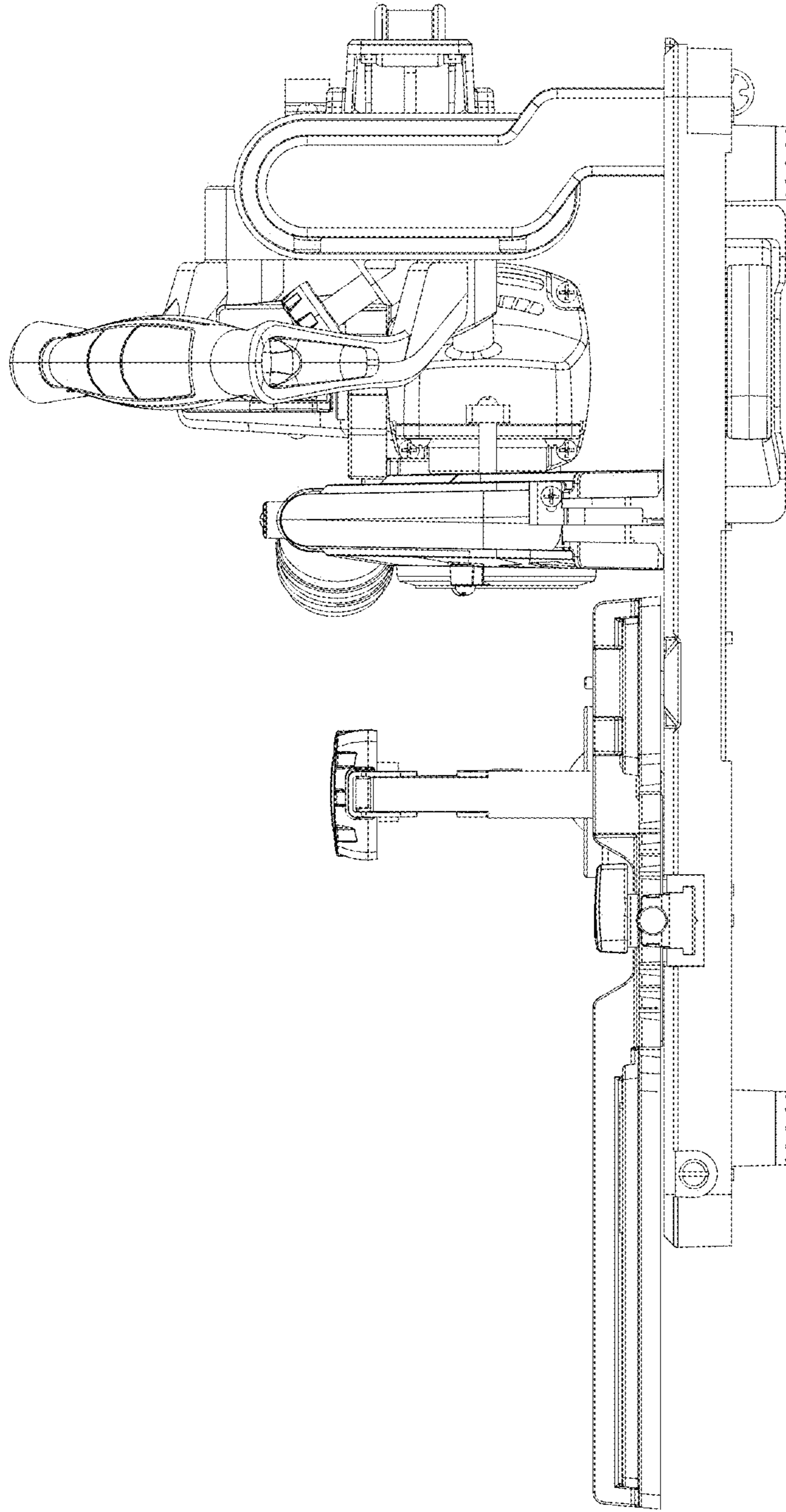


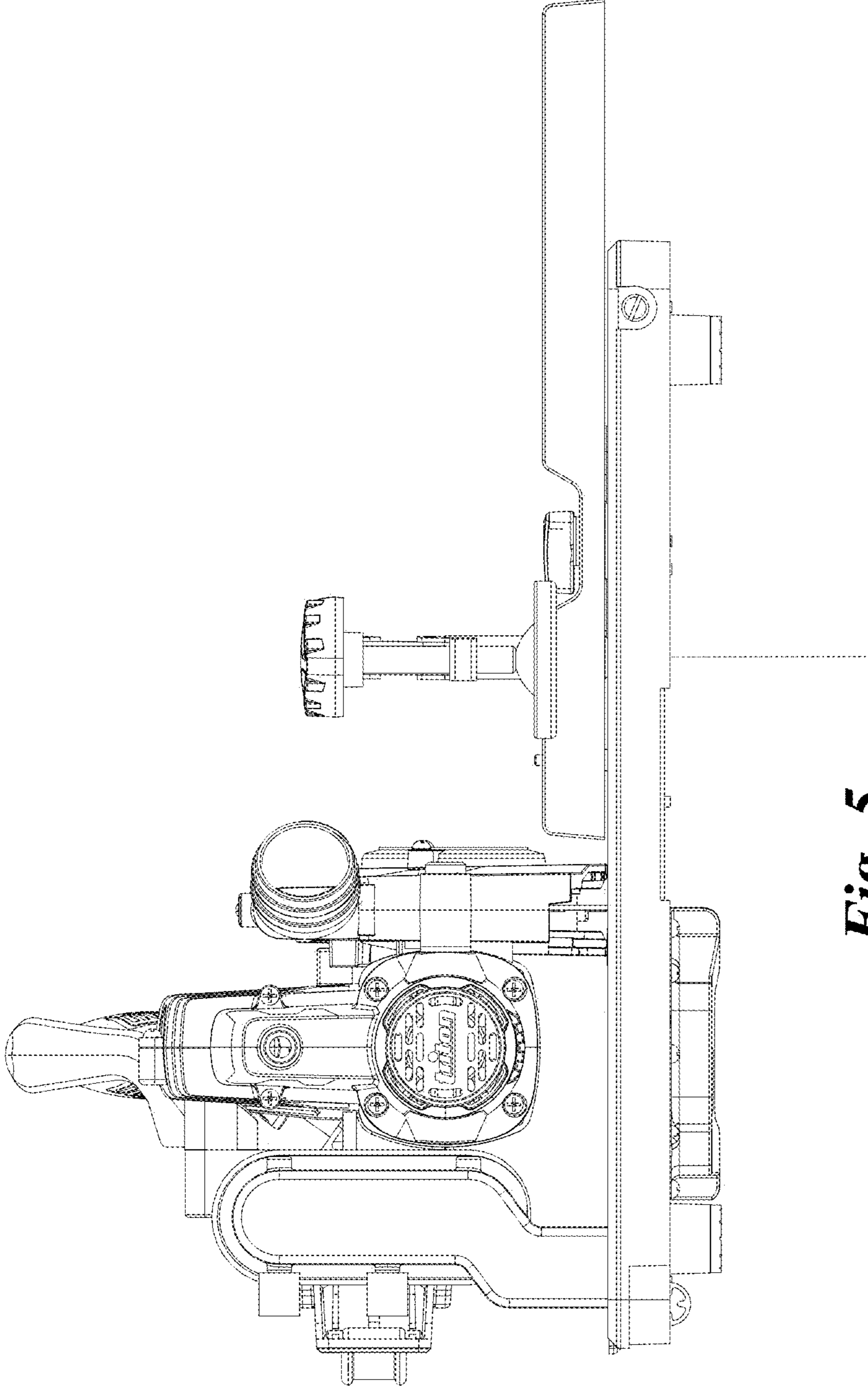
Fig. 2



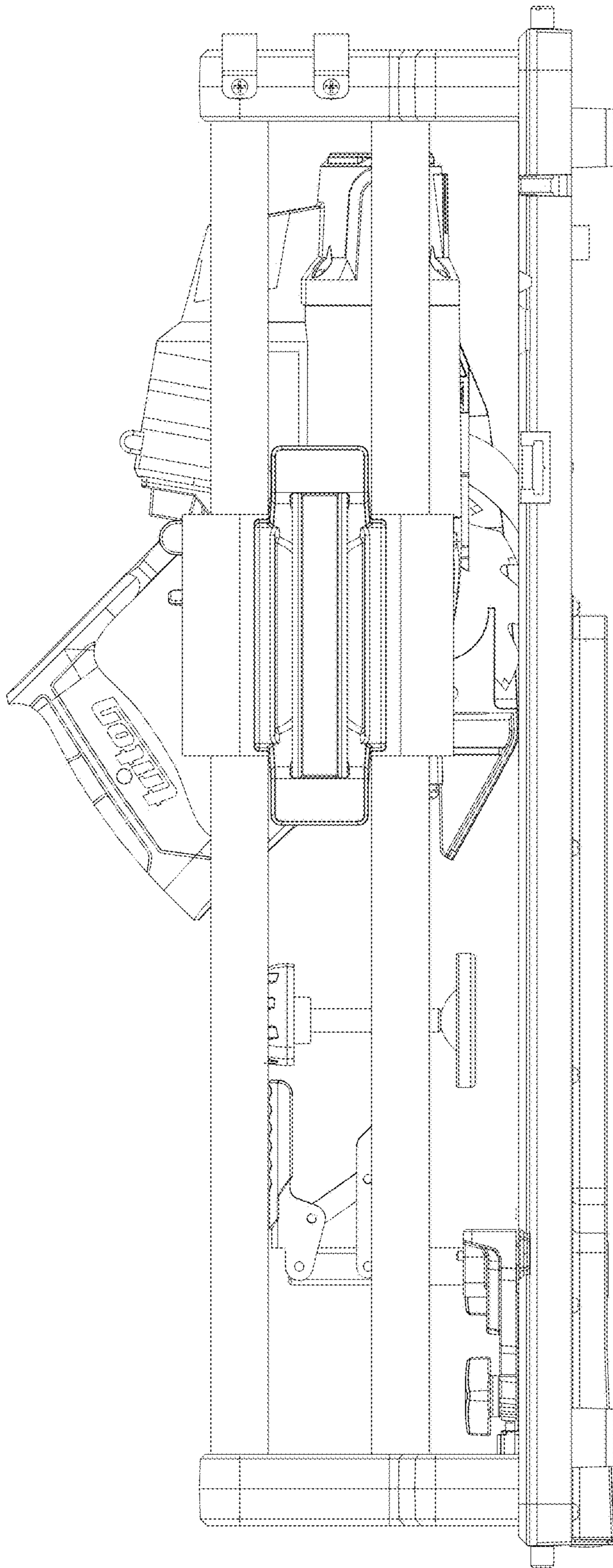
*Fig. 3*



*Fig. 4*

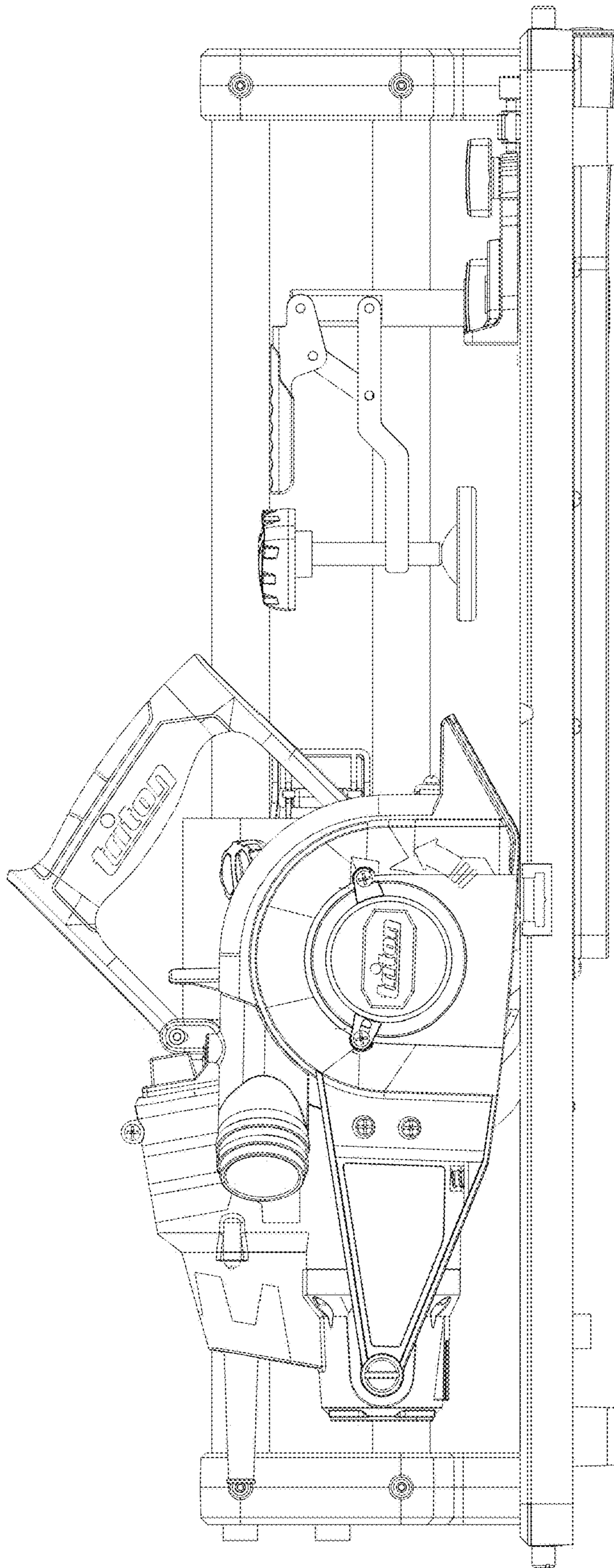


*Fig. 5*



*Fig. 6*





*Fig. 7*