



US00D870166S

(12) **United States Design Patent** (10) **Patent No.:** **US D870,166 S**  
**Gallo et al.** (45) **Date of Patent:** **\*\* Dec. 17, 2019**

- (54) **LASER PROCESSING MACHINE**
- (71) Applicant: **TRUMPF GmbH + Co. KG**, Ditzingen (DE)
- (72) Inventors: **Dina Gallo**, Stuttgart (DE); **Andreas Diefenbach**, Ludwigsburg-Ossweil (DE); **Tom Schönherr**, Stuttgart (DE)
- (73) Assignee: **TRUMPF GmbH + Co. KG**, Ditzingen (DE)
- (\*\*) Term: **15 Years**
- (21) Appl. No.: **29/595,401**
- (22) Filed: **Feb. 28, 2017**
- (30) **Foreign Application Priority Data**

Aug. 31, 2016 (EM) ..... 00359546

- (51) **LOC (12) Cl.** ..... **15-09**
- (52) **U.S. Cl.**  
 USPC ..... **D15/127**; D15/122
- (58) **Field of Classification Search**  
 USPC ..... D15/122, 127, 133, 135, 138, 141  
 CPC ..... B23K 26/00; B23K 26/02; B23K 26/706  
 See application file for complete search history.

(56) **References Cited**

**U.S. PATENT DOCUMENTS**

D332,615 S *	1/1993	Fang	.....	D15/122
D603,430 S *	11/2009	Masauji	.....	D15/122
D603,431 S *	11/2009	Masauji	.....	D15/122
D690,744 S *	10/2013	Koide	.....	D15/122
D690,745 S *	10/2013	Koide	.....	D15/122
D717,840 S *	11/2014	Schonherr	.....	D15/122
D762,748 S *	8/2016	Schonherr	.....	D15/122
D798,917 S *	10/2017	Gallo	.....	D15/122
2007/0000888 A1 *	1/2007	Yamazaki	.....	B23K 26/0876 219/121.78

2007/0045258 A1 *	3/2007	Yamazaki	.....	B23K 26/0884 219/121.84
2007/0051709 A1 *	3/2007	Lambert	.....	B23K 26/123 219/121.84
2008/0105665 A1 *	5/2008	Kondo	.....	B23K 26/067 219/121.77
2008/0245779 A1 *	10/2008	Nomaru	.....	B23K 26/0736 219/121.75
2009/0001062 A1 *	1/2009	Zeygerman	.....	B23K 26/0884 219/121.78
2009/0001063 A1 *	1/2009	Weick	.....	B23K 26/032 219/121.85
2009/0120917 A1 *	5/2009	Koch	.....	B23K 26/12 219/121.78
2009/0179012 A1 *	7/2009	Zepf	.....	H01S 3/0401 219/121.63

(Continued)

*Primary Examiner* — Patricia A Palasik  
 (74) *Attorney, Agent, or Firm* — Fish & Richardson P.C.

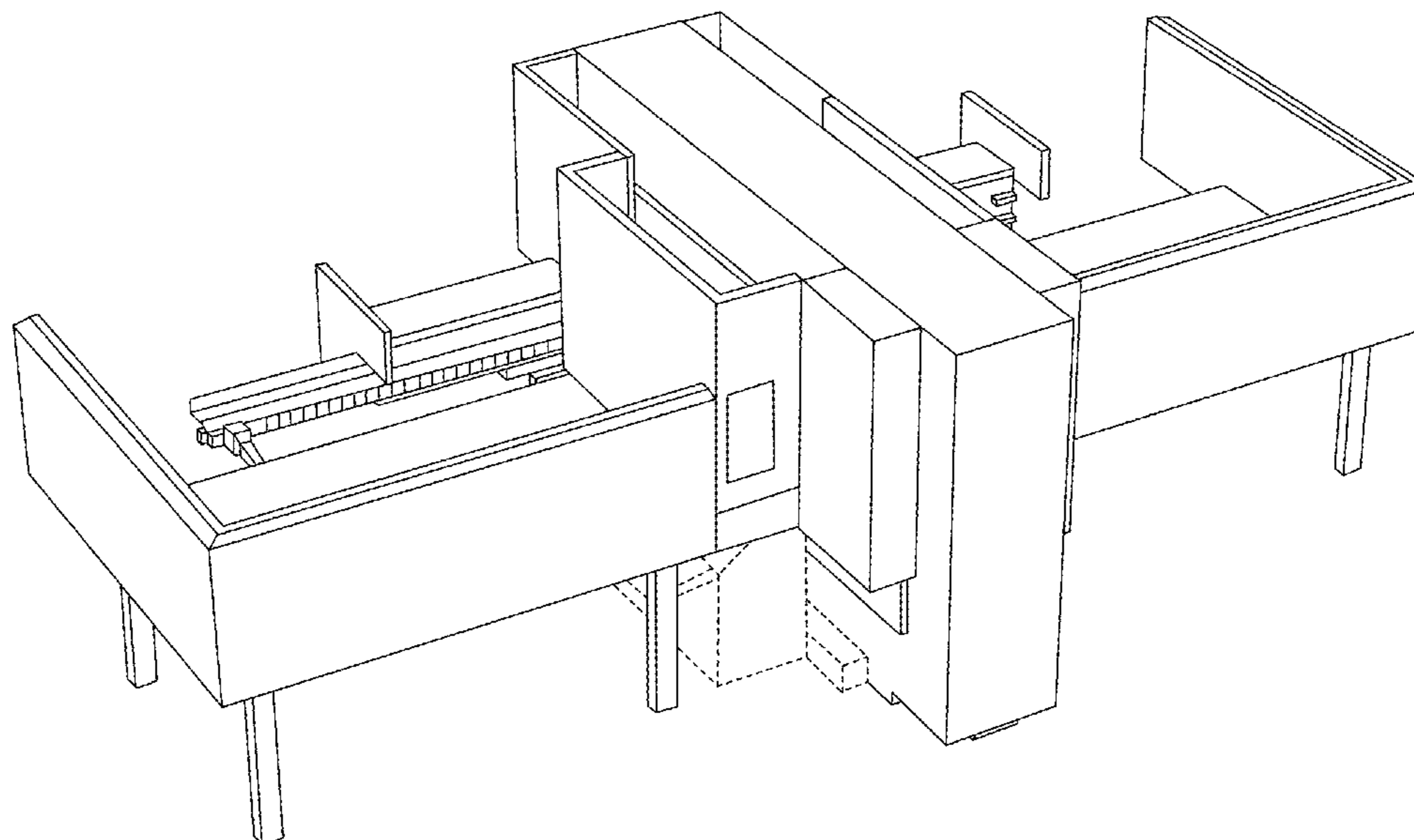
(57) **CLAIM**

The ornamental design for a laser processing machine, as shown and described.

**DESCRIPTION**

FIG. 1 is a front perspective view of our laser processing machine.  
 FIG. 2 is a front view of our laser processing machine.  
 FIG. 3 is a back view of our laser processing machine.  
 FIG. 4 is a right side view of our laser processing machine.  
 FIG. 5 is a left side view of our laser processing machine.  
 FIG. 6 is a top view of our laser processing machine.  
 FIG. 7 is a bottom view of our laser processing machine; and,  
 FIG. 8 is an additional front perspective view of our laser processing machine.  
 The broken lines illustrate environmental features that form no part of the claimed design.

**1 Claim, 8 Drawing Sheets**



(56)

**References Cited**

U.S. PATENT DOCUMENTS

2010/0096370 A1\* 4/2010 Yamazaki ..... B23K 26/046  
219/121.67  
2013/0193125 A1\* 8/2013 Nishiyama ..... B23K 26/0823  
219/121.85  
2015/0001195 A1\* 1/2015 Okada ..... B23K 26/08  
219/121.67  
2015/0273387 A1\* 10/2015 Hayashi ..... B01D 53/22  
96/7  
2015/0336209 A1\* 11/2015 Yamashita ..... B23K 26/046  
219/121.75  
2015/0375337 A1\* 12/2015 Hayashi ..... B23K 26/38  
219/121.61  
2016/0228982 A1\* 8/2016 Haji ..... B23K 37/0235

\* cited by examiner

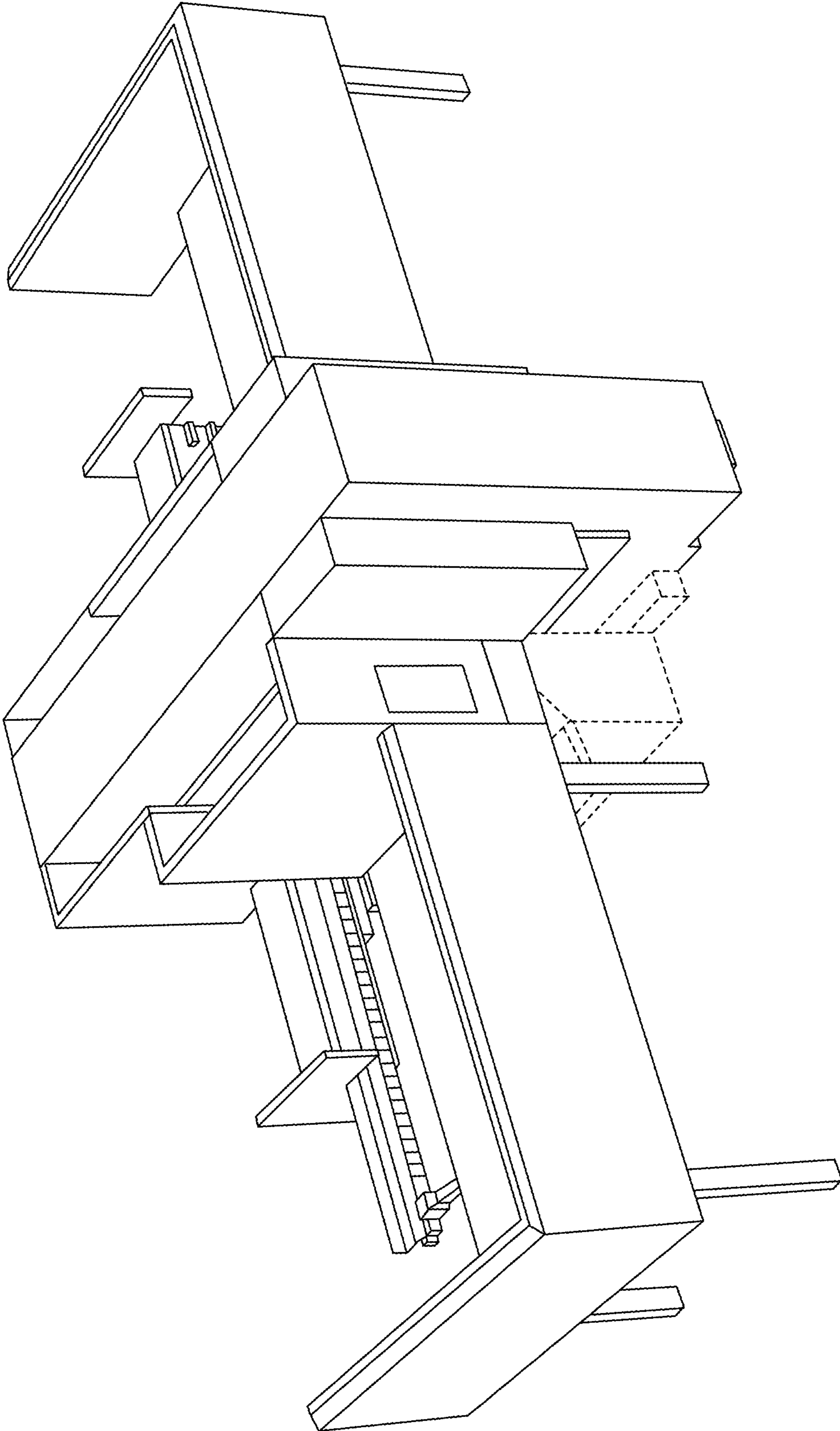


FIG. 1

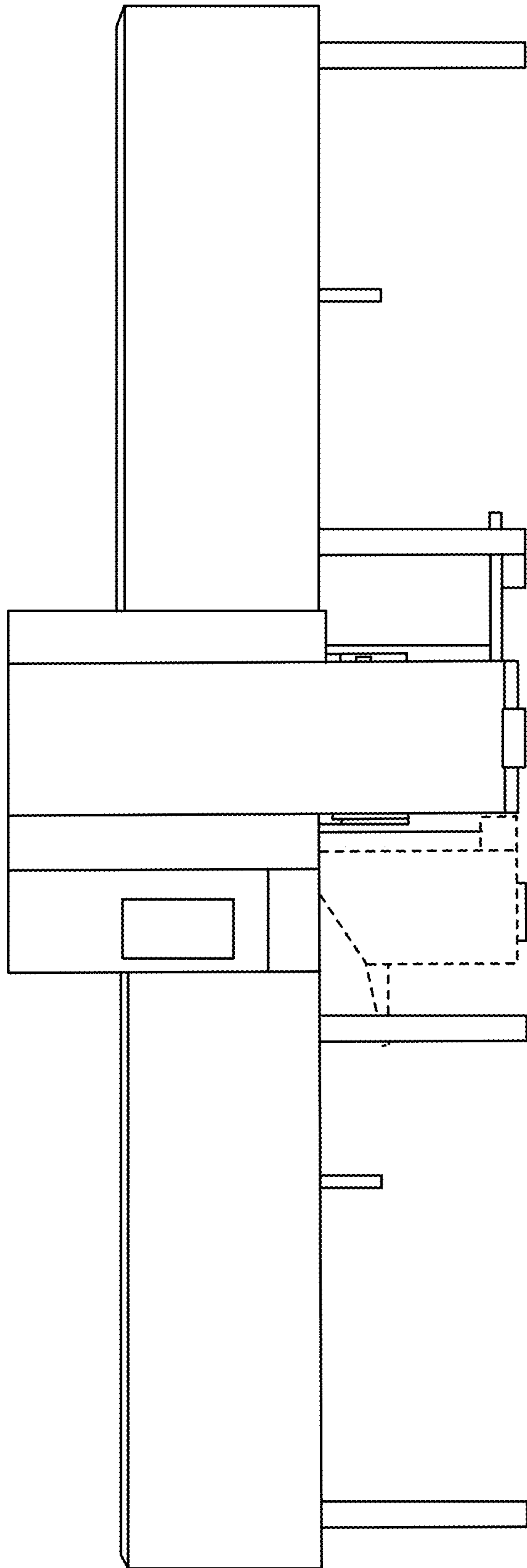


FIG. 2

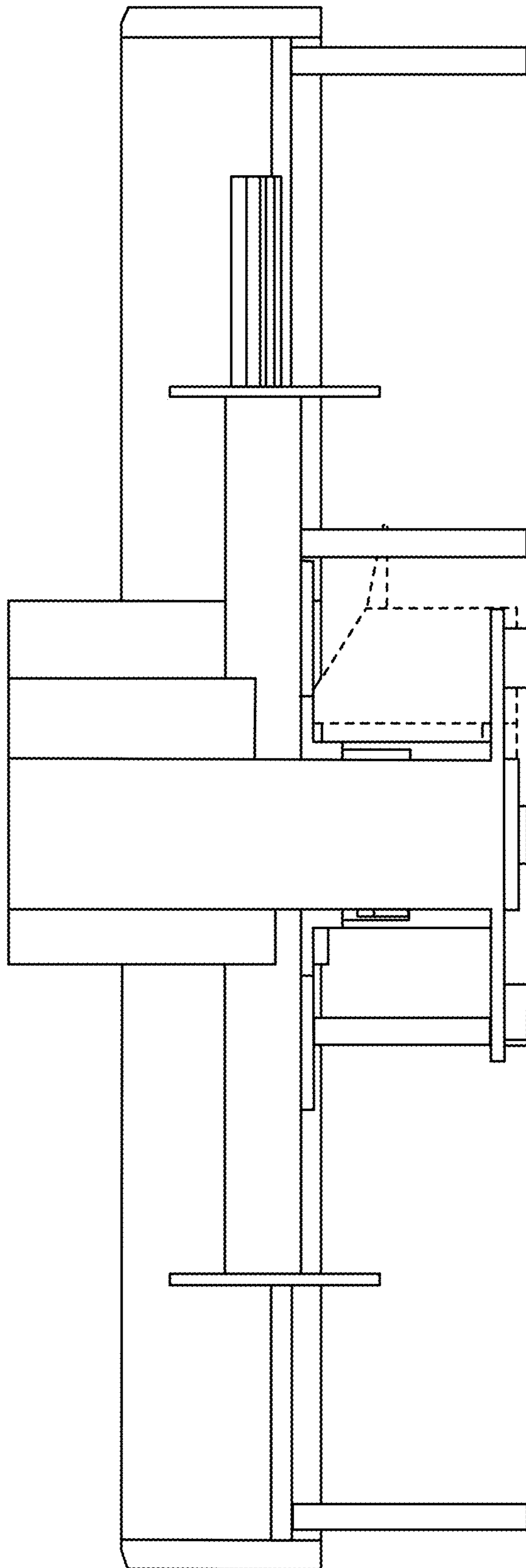
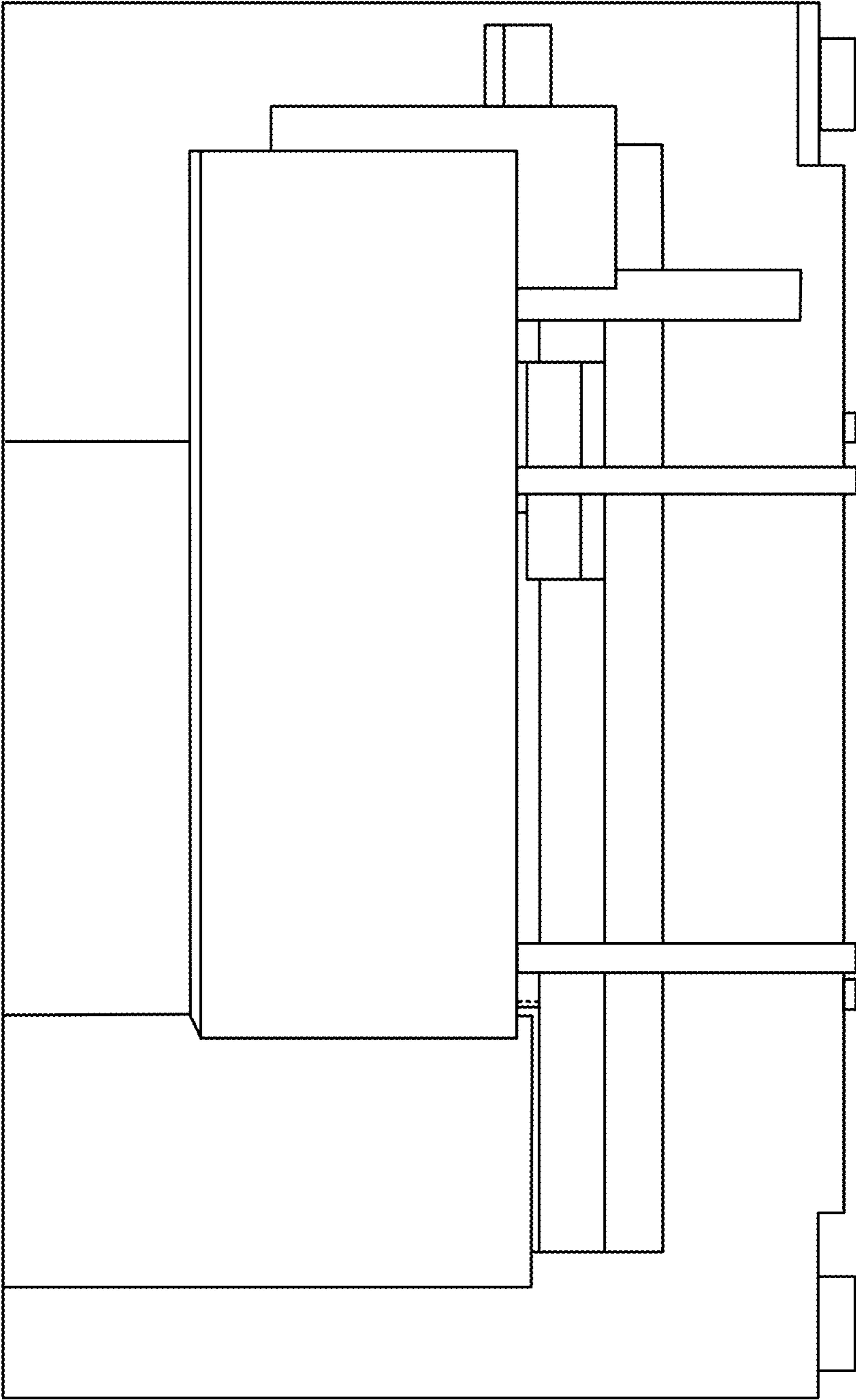


FIG. 3



**FIG. 4**

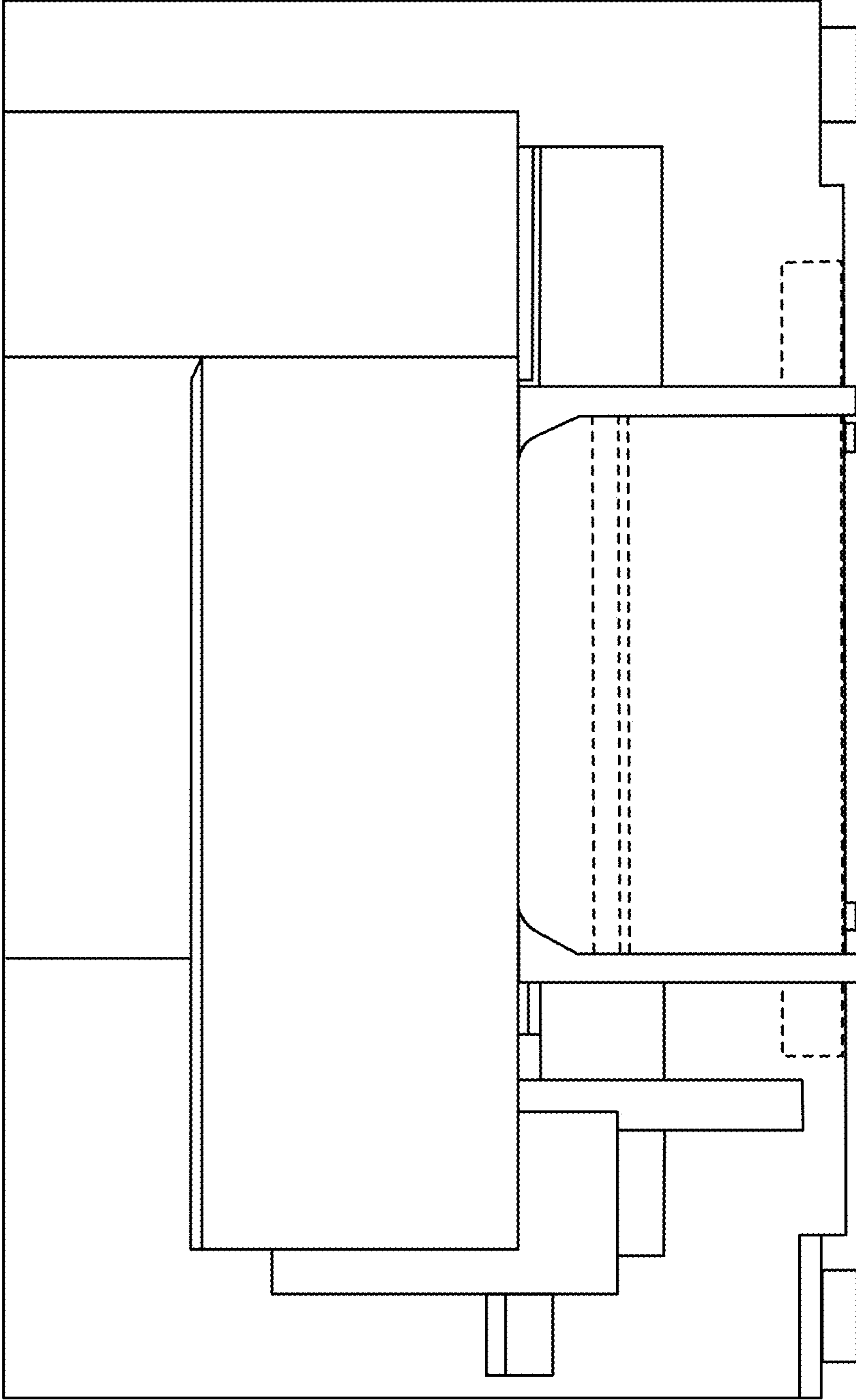


FIG. 5

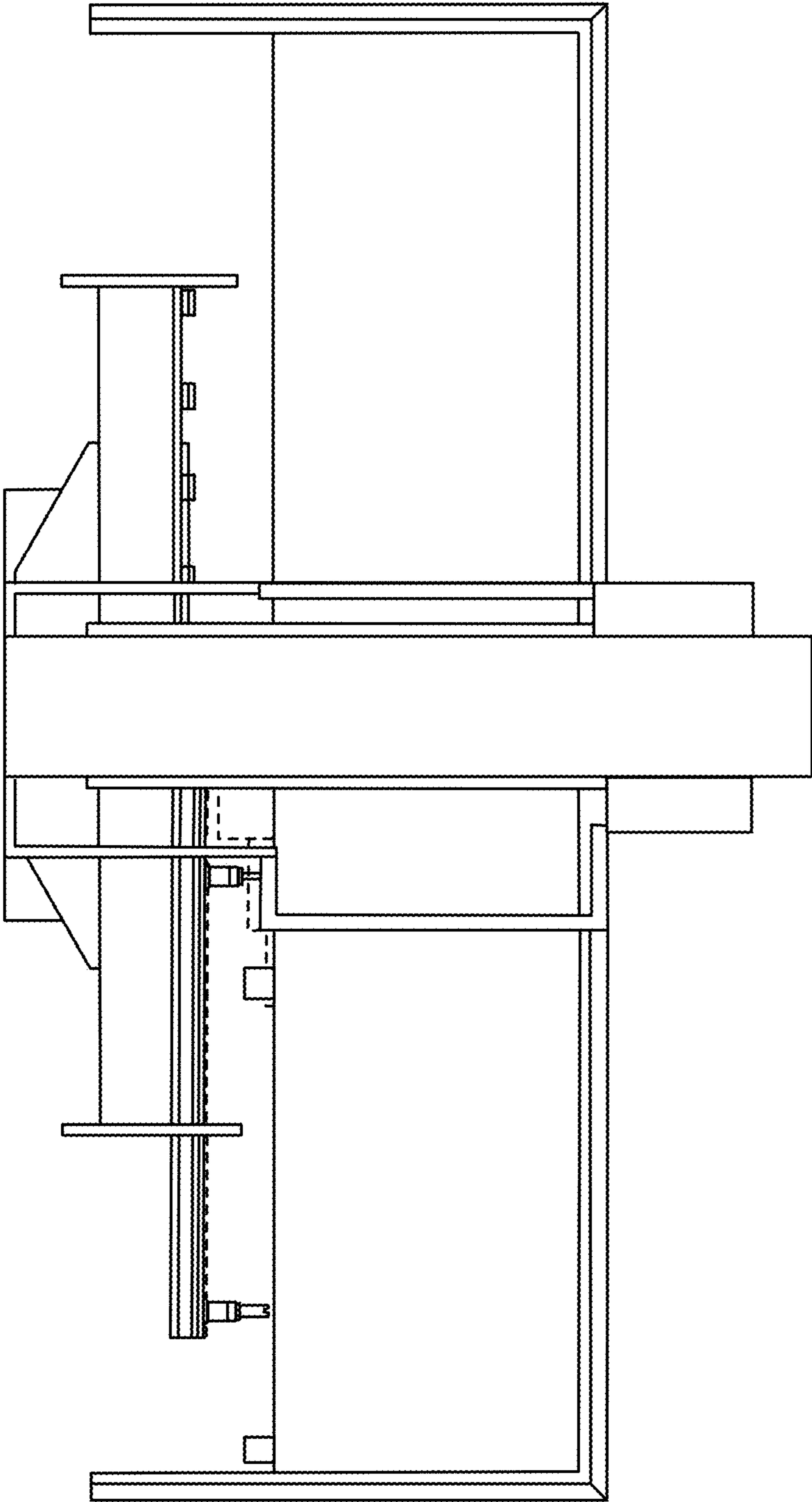


FIG. 6



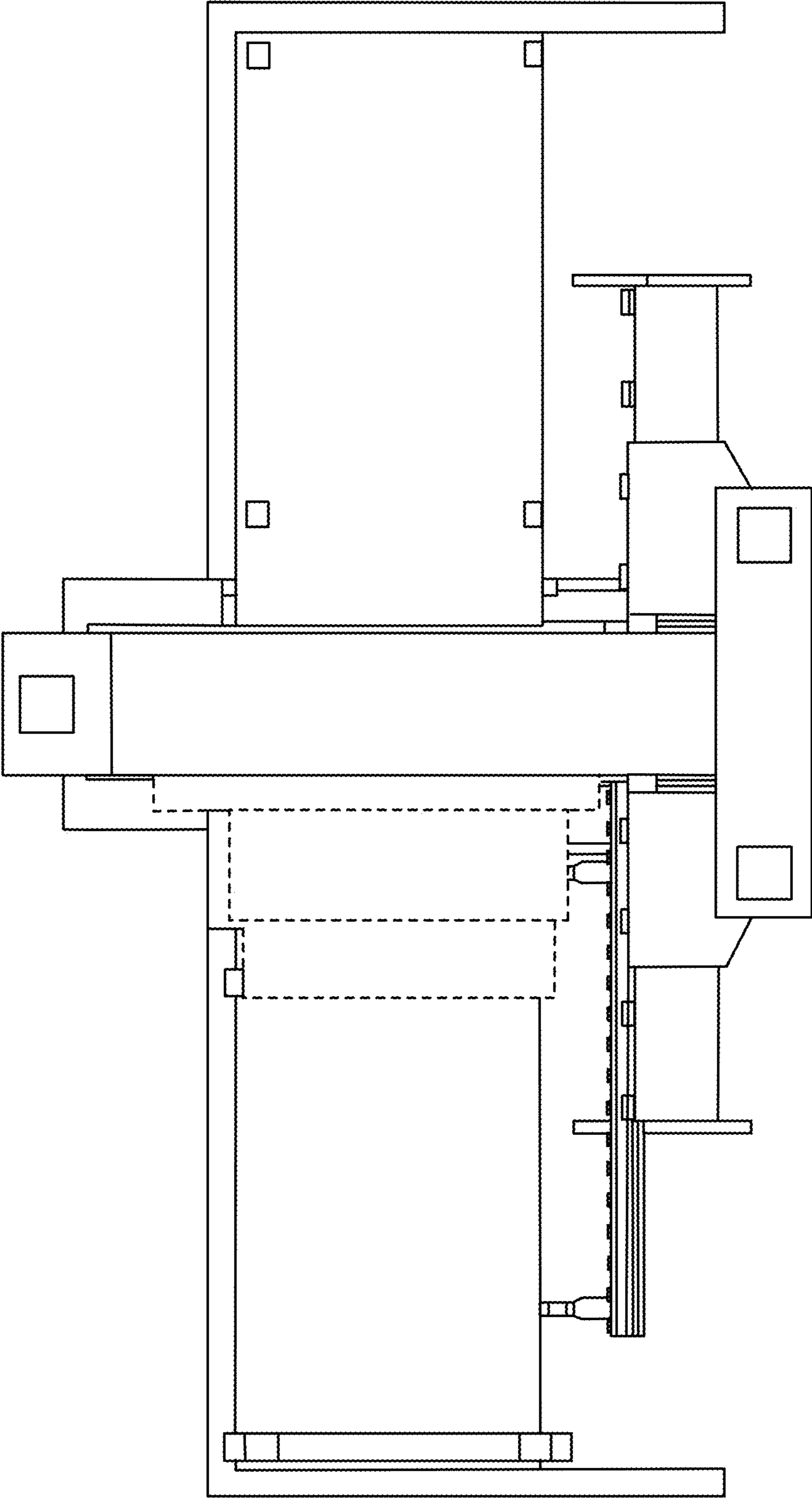


FIG. 7

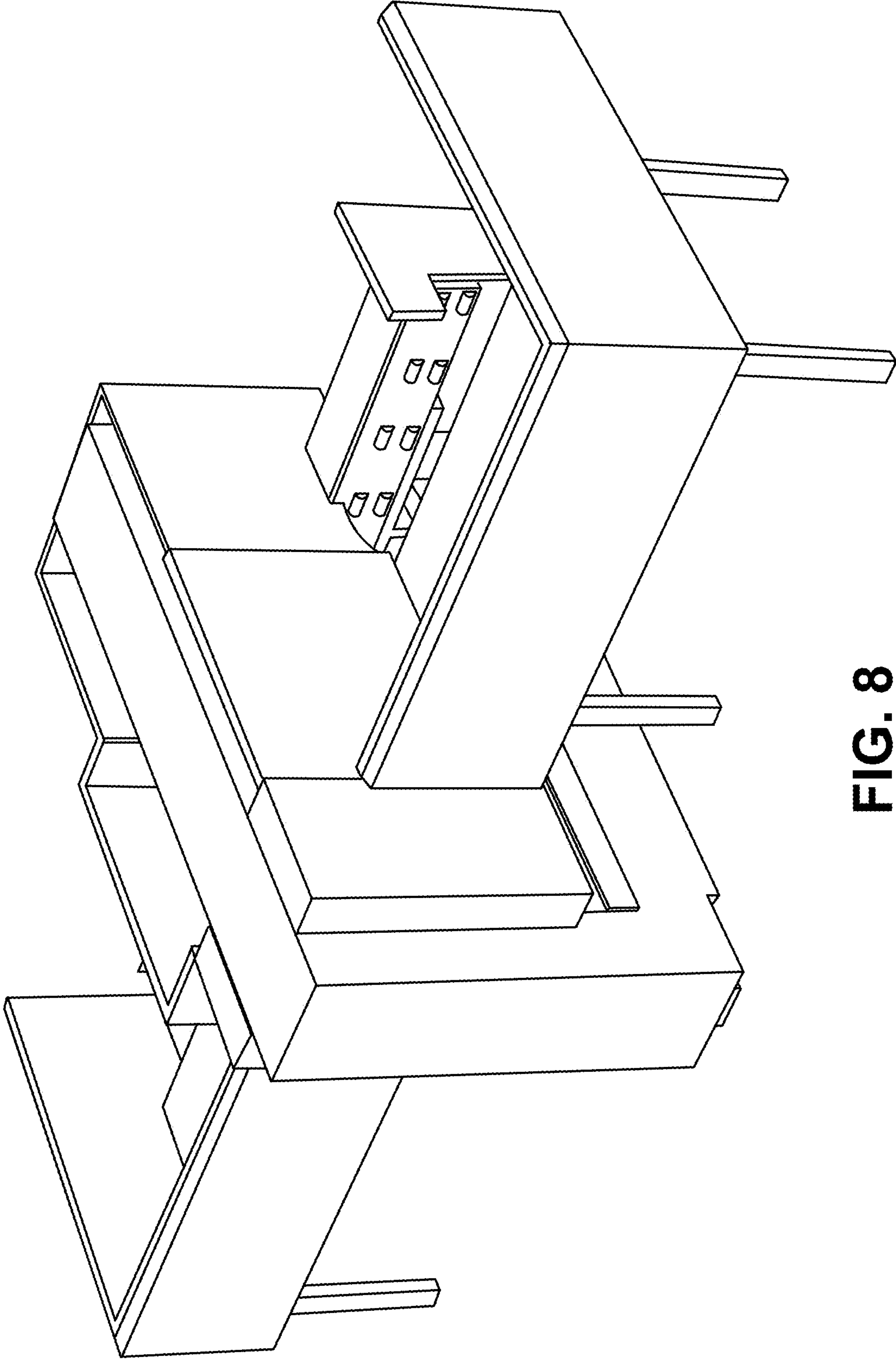


FIG. 8