



US00D870165S

(12) **United States Design Patent** (10) **Patent No.:** **US D870,165 S**
Hacikyan (45) **Date of Patent:** **** Dec. 17, 2019**

(54) **GLASS GRINDING APPARATUS**
(71) Applicant: **Michael Hacikyan**, Naples, FL (US)
(72) Inventor: **Michael Hacikyan**, Naples, FL (US)
(**) Term: **15 Years**
(21) Appl. No.: **29/643,037**
(22) Filed: **Apr. 3, 2018**
(51) **LOC (12) Cl.** **15-09**
(52) **U.S. Cl.**
USPC **D15/124**
(58) **Field of Classification Search**
USPC D15/124, 125, 126, 199
CPC B24B 9/06; B24B 9/10
See application file for complete search history.

5,056,969 A 10/1991 Nerland et al.
5,109,632 A * 5/1992 Hostler B24B 9/10
451/296
5,241,791 A 9/1993 Lacy
5,251,407 A 10/1993 Afshar
5,265,382 A * 11/1993 Park B24B 9/10
451/44
5,342,156 A 8/1994 Baba
5,345,726 A * 9/1994 Gach B24B 9/10
451/177
5,409,417 A 4/1995 Bando
5,423,359 A 6/1995 Aigner
5,498,200 A * 3/1996 Werner B24B 13/0055
451/390
5,527,207 A 6/1996 Azar et al.
(Continued)

(56) **References Cited**
U.S. PATENT DOCUMENTS
1,937,388 A * 11/1933 Kranich B24B 9/102
451/182
1,961,487 A * 6/1934 Hamann B24B 9/102
451/44
1,987,054 A * 1/1935 Crowley B24B 9/10
451/226
1,997,551 A * 4/1935 Romaine B24B 5/04
451/21
2,238,704 A * 4/1941 Miller B24B 27/0084
451/340
2,604,823 A 7/1952 Szypulinski
2,790,271 A 4/1957 Samson
2,847,801 A * 8/1958 Sciurba B24B 9/12
451/210
3,123,950 A 3/1964 Kuris
3,977,127 A 8/1976 Mahnken
4,423,568 A 1/1984 Gould
4,516,357 A 5/1985 Gach
4,543,021 A 9/1985 Adler
4,551,948 A 11/1985 Kindig et al.
4,884,927 A 12/1989 Menker

OTHER PUBLICATIONS

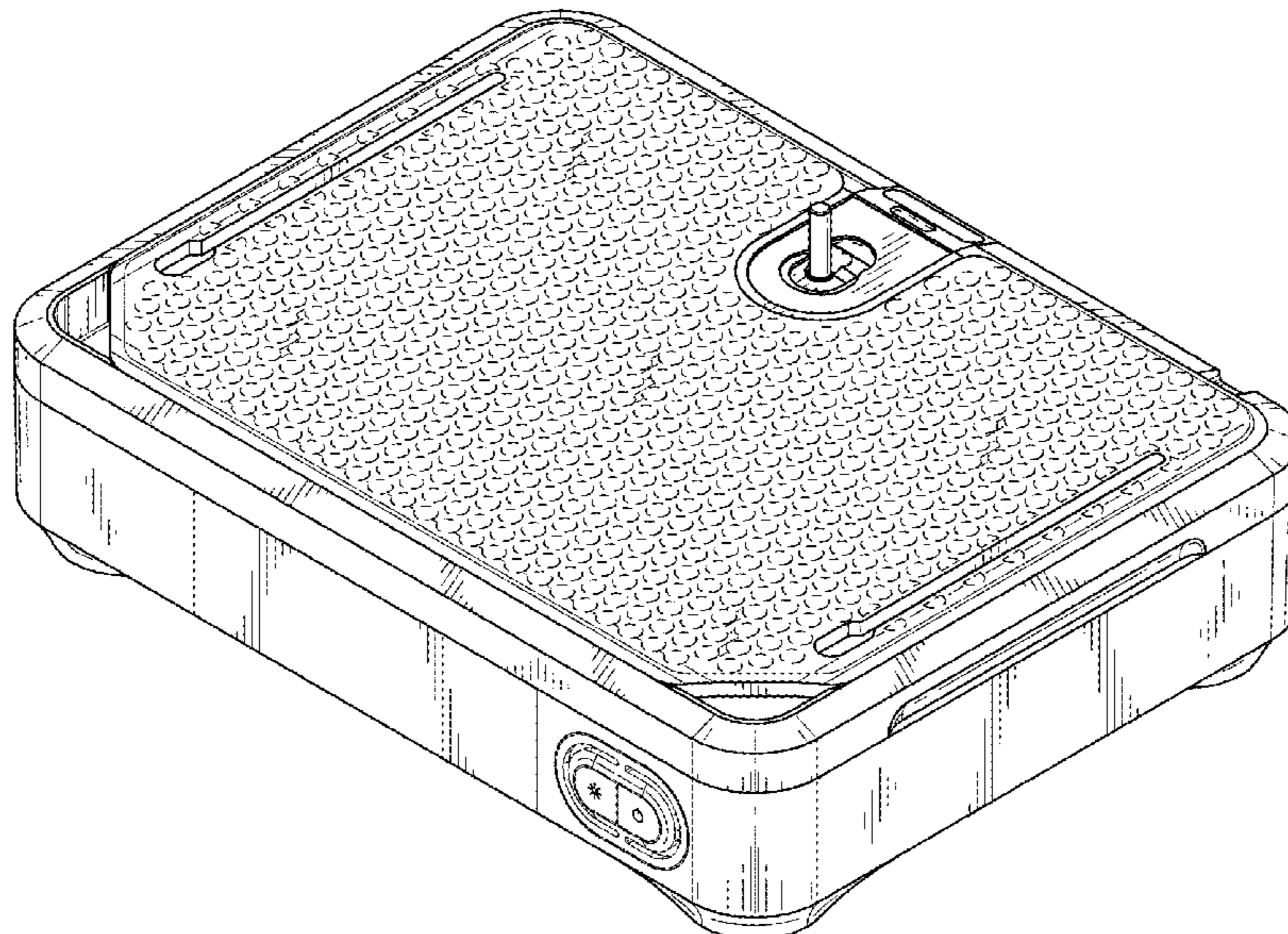
Diamond Tech International, "Diamond Max Two-In-One Grinder Operations Manual", at least as early as Mar. 10, 2018, 4 pages.

Primary Examiner — Patricia A Palasik
(74) *Attorney, Agent, or Firm* — Walter W. Duft

(57) **CLAIM**
The ornamental design for a glass grinding apparatus, as shown and described.

DESCRIPTION
FIG. 1 is an upper perspective view of the design;
FIG. 2 is a lower perspective view of the design;
FIG. 3 is a top plan view of the design;
FIG. 4 is a bottom plan view of the design;
FIG. 5 is a front elevation view of the design;
FIG. 6 is a rear elevation view of the design;
FIG. 7 is a right side elevation view of the design; and,
FIG. 8 is a left side elevation view of the design.
The broken lines depict portions of the glass grinding apparatus that form no part of the claimed design.

1 Claim, 6 Drawing Sheets



(56)

References Cited

U.S. PATENT DOCUMENTS

5,549,509	A *	8/1996	Hirst	B24B 7/08	451/178	7,125,328	B1 *	10/2006	Hacikyan	B24B 9/10	451/541
5,586,928	A *	12/1996	Wiand	B24B 7/08	451/177	D600,263	S *	9/2009	Eckhardt	D15/199	
5,609,512	A	3/1997	Holmes et al.				D647,132	S *	10/2011	Kim	D18/55	
5,681,211	A *	10/1997	Wiand	B24B 7/08	451/177	D707,276	S *	6/2014	Norman	D15/199	
5,807,166	A *	9/1998	Bando	B24B 9/10	451/242	D738,413	S *	9/2015	Randlov	D15/143	
6,083,086	A	7/2000	Hacikyan				D781,955	S *	3/2017	Kim	D18/50	
6,123,606	A	9/2000	Hill et al.				D812,663	S *	3/2018	Waters	D15/199	
6,176,656	B1	1/2001	Seong				10,357,864	B2 *	7/2019	Bando	B24B 41/06	
6,241,589	B1	6/2001	Hacikyan				2002/0061712	A1 *	5/2002	Gariglio	B23Q 1/032	451/5
6,416,394	B1 *	7/2002	Hacikyan	B24B 9/14	451/178	2004/0043708	A1 *	3/2004	Hacikyan	B24B 9/08	451/41
6,896,601	B2	5/2005	Hacikyan				2005/0090189	A1 *	4/2005	Brown	B24B 9/10	451/41
6,994,613	B2	2/2006	Hacikyan				2013/0316618	A1 *	11/2013	Lee	B24B 9/10	451/5
							2014/0204141	A1 *	7/2014	Arakane	B41J 2/04508	347/14

* cited by examiner

FIG. 1

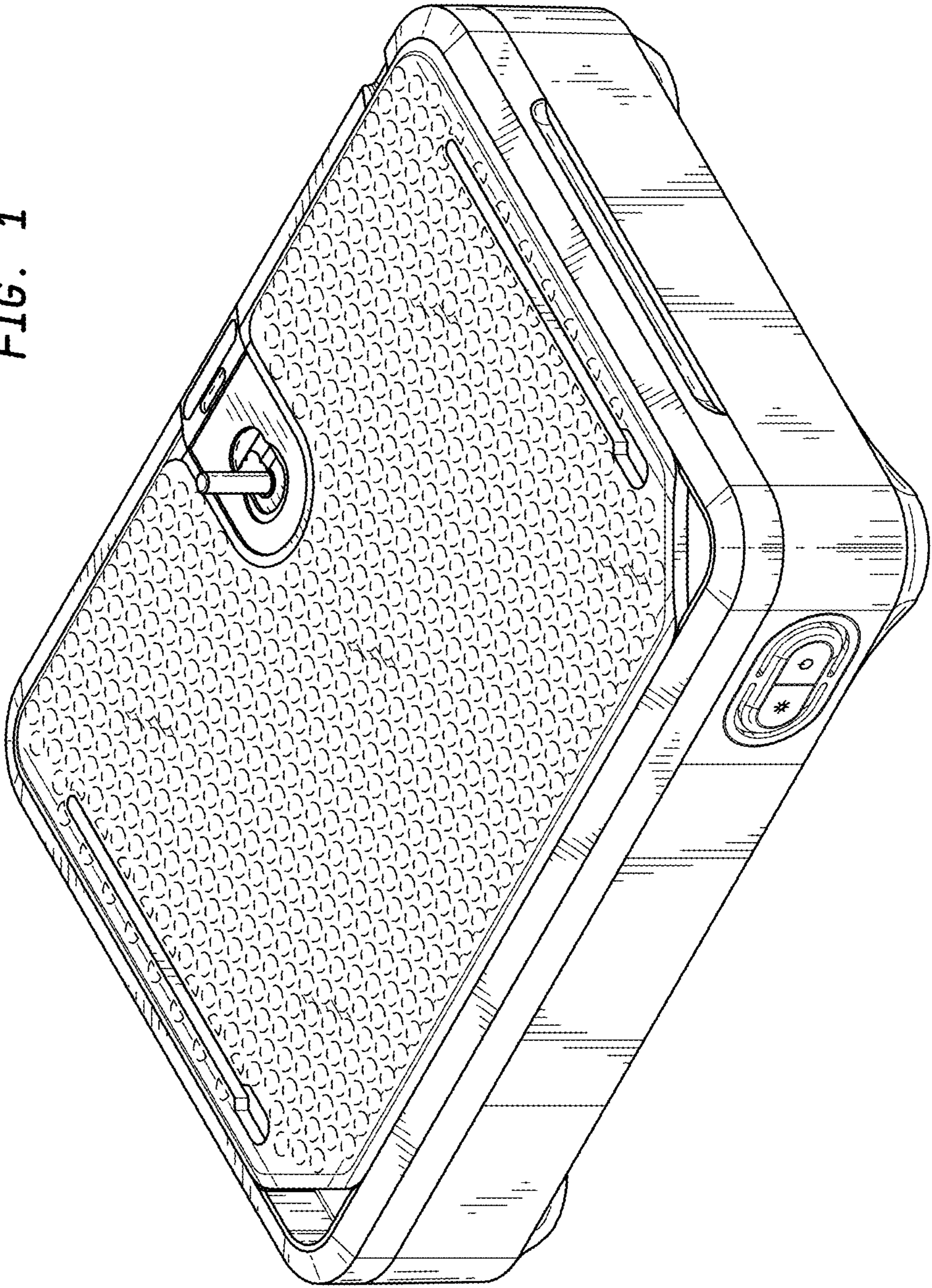


FIG. 2

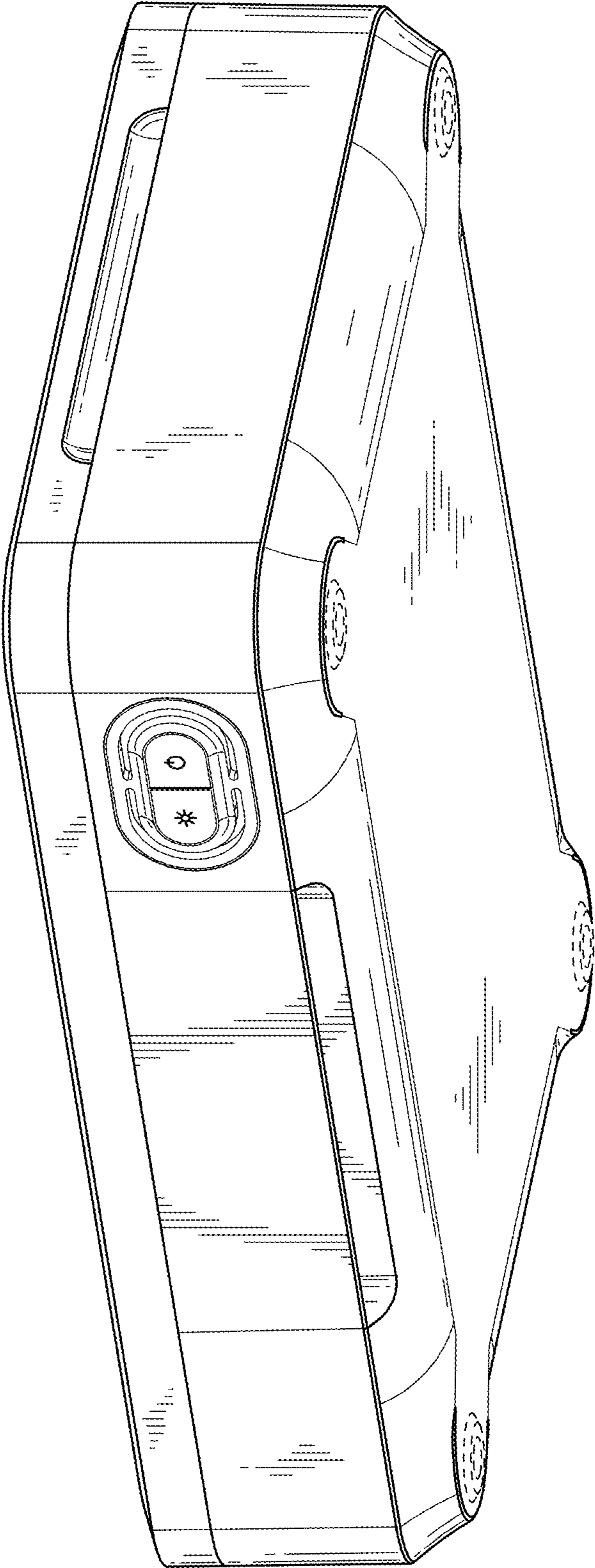


FIG. 3

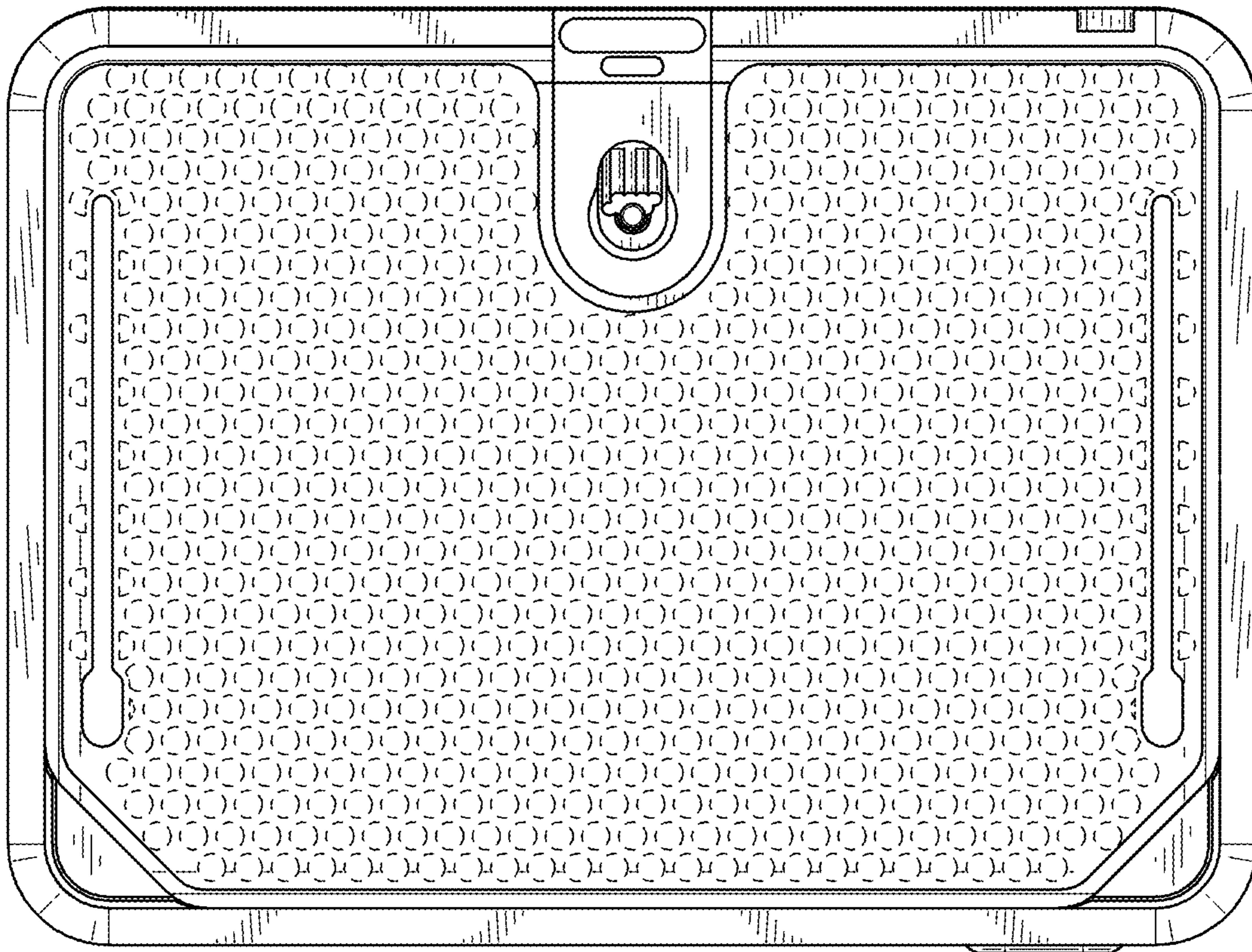


FIG. 4

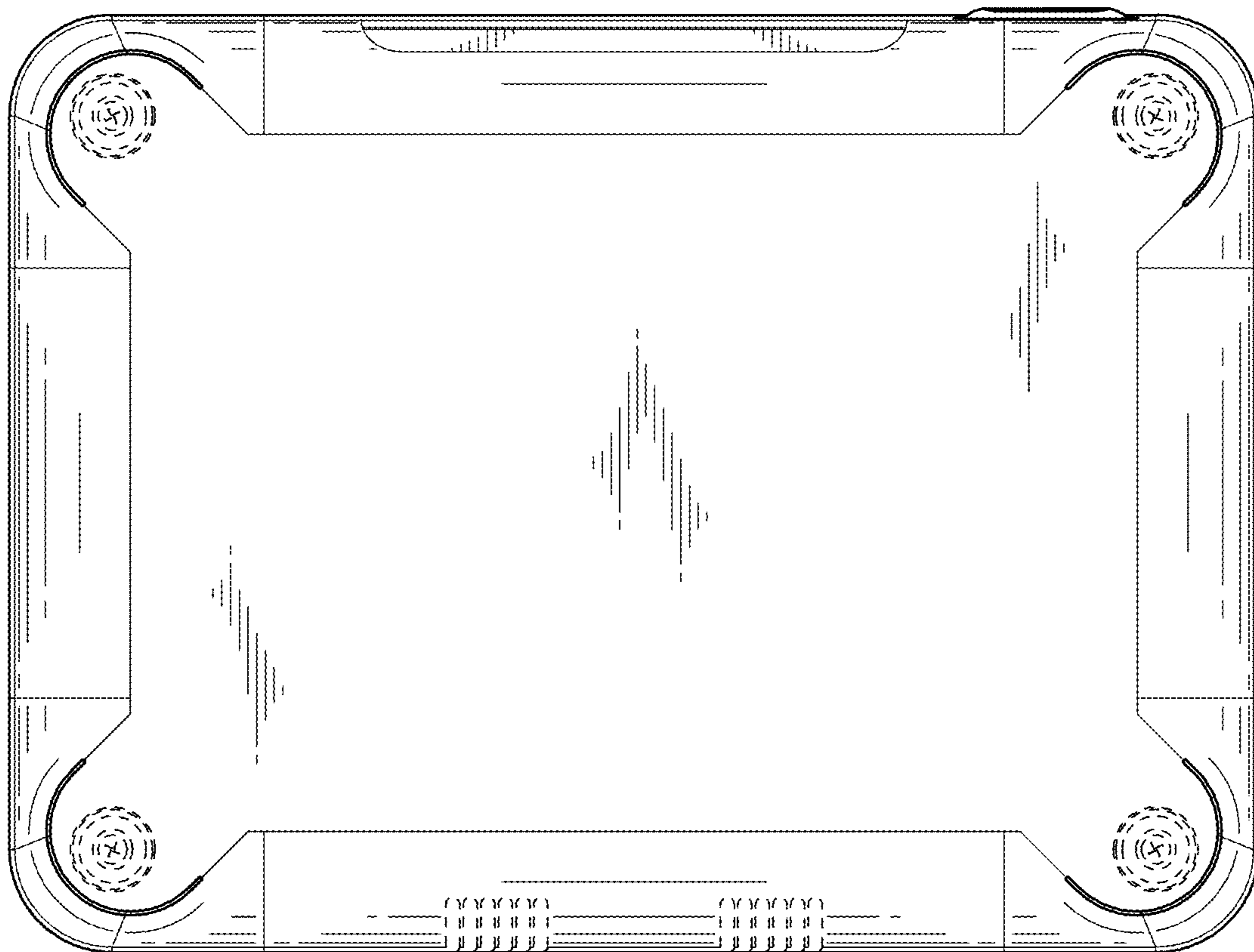


FIG. 5

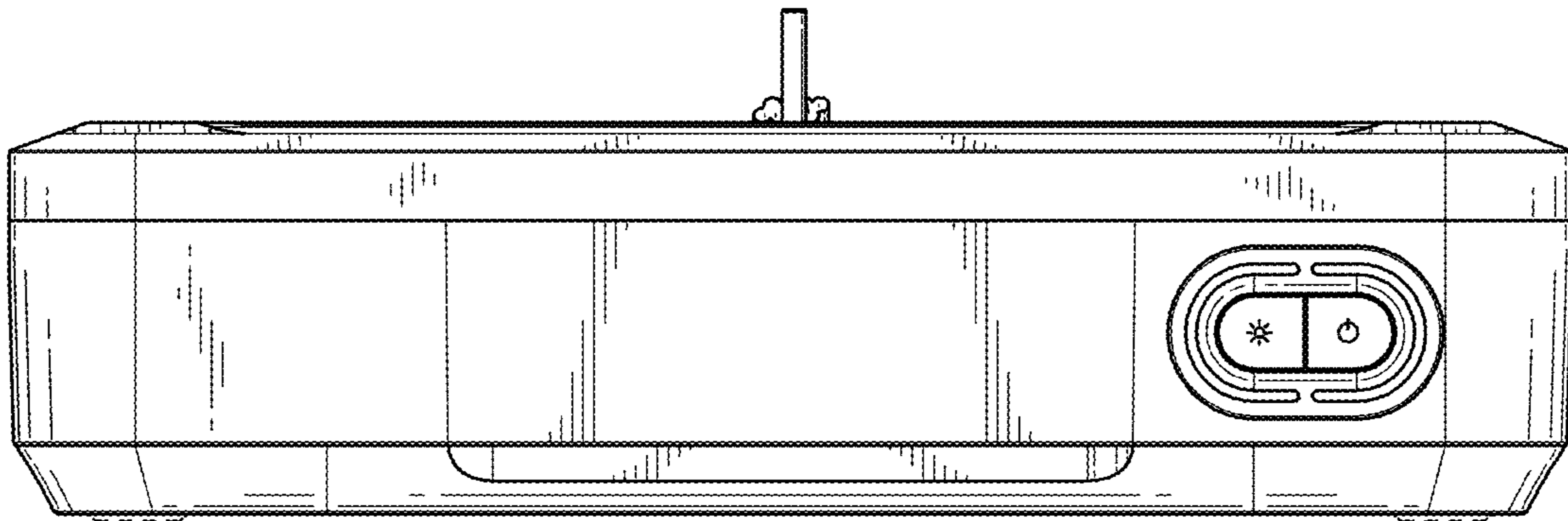


FIG. 6

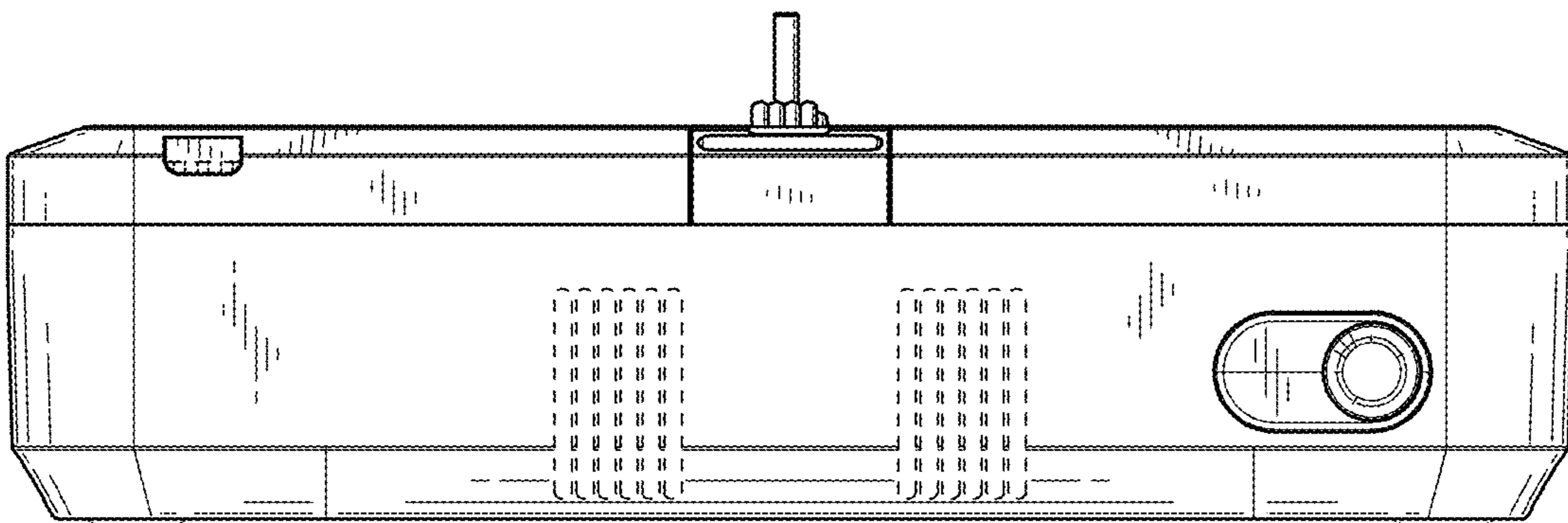


FIG. 7

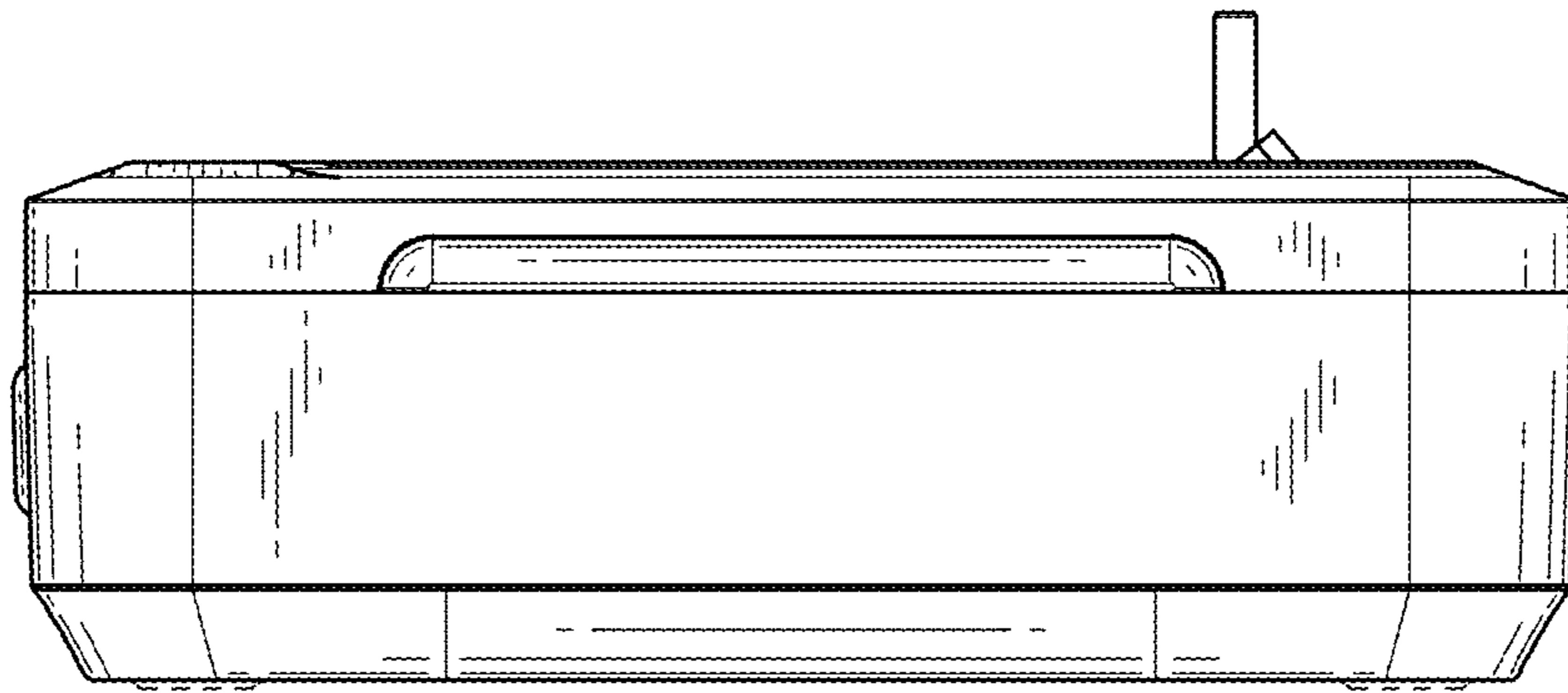


FIG. 8

