

US00D870163S

(12) **United States Design Patent** (10) **Patent No.:** **US D870,163 S**
Yoon et al. (45) **Date of Patent:** **** Dec. 17, 2019**

(54) **REFRIGERATOR DOOR**

(71) Applicant: **Samsung Electronics Co., Ltd.**,
Suwon-si (KR)

(72) Inventors: **Byeong-Cheol Yoon**, Suwon-si (KR);
Daekyun Lee, Suwon-si (KR)

(73) Assignee: **Samsung Electronics Co., Ltd.**,
Suwon-si (KR)

(**) Term: **15 Years**

(21) Appl. No.: **29/614,656**

(22) Filed: **Aug. 22, 2017**

Related U.S. Application Data

(63) Continuation of application No. 29/567,085, filed on
Jun. 6, 2016, now Pat. No. Des. 798,347.

(51) **LOC (12) Cl.** **15-07**

(52) **U.S. Cl.**
USPC **D15/91**

(58) **Field of Classification Search**
USPC D15/79-91

(Continued)

(56) **References Cited**

U.S. PATENT DOCUMENTS

D730,958 S * 6/2015 Choi D15/91
D738,941 S * 9/2015 Shin D15/91

(Continued)

Primary Examiner — Khawaja Anwar

(74) *Attorney, Agent, or Firm* — NSIP Law

(57) **CLAIM**

We claim the ornamental design for a refrigerator door, as
shown and described.

DESCRIPTION

FIG. 1 is the front perspective view of a refrigerator door
showing our new design;

FIG. 2 is the front view thereof;
FIG. 3 is the rear view thereof;
FIG. 4 is the left-side view thereof;
FIG. 5 is the right-side view thereof;
FIG. 6 is the top plan view thereof;
FIG. 7 is the bottom plan view thereof;
FIG. 8 is the front perspective view of another embodiment
of a refrigerator door showing our new design;
FIG. 9 is the front view of FIG. 8;
FIG. 10 is the rear view of FIG. 8;
FIG. 11 is the left-side view of FIG. 8;
FIG. 12 is the right-side view of FIG. 8;
FIG. 13 is the top plan view of FIG. 8;
FIG. 14 is the bottom plan view of FIG. 8;
FIG. 15 is the front perspective view of another embodiment
of a refrigerator door showing our new design;
FIG. 16 is the front view of FIG. 15;
FIG. 17 is the rear view of FIG. 15;
FIG. 18 is the left-side view of FIG. 15;
FIG. 19 is the right-side view of FIG. 15;
FIG. 20 is the top plan view of FIG. 15;
FIG. 21 is the bottom plan view of FIG. 15;
FIG. 22 is the front perspective view of another embodiment
of a refrigerator door showing our new design;
FIG. 23 is the front view of FIG. 22;
FIG. 24 is the rear view of FIG. 22;
FIG. 25 is the left-side view of FIG. 22;
FIG. 26 is the right-side view of FIG. 22;
FIG. 27 is the top plan view of FIG. 22;
FIG. 28 is the bottom plan view of FIG. 22;
FIG. 29 is the front perspective view of another embodiment
of a refrigerator door showing our new design;
FIG. 30 is the front view of FIG. 29;
FIG. 31 is the rear view of FIG. 29;
FIG. 32 is the left-side view of FIG. 29;
FIG. 33 is the right-side view of FIG. 29;
FIG. 34 is the top plan view of FIG. 29;
FIG. 35 is the bottom plan view of FIG. 29;
FIG. 36 is the front perspective view of another embodiment
of a refrigerator door showing our new design;
FIG. 37 is the front view of FIG. 36;
FIG. 38 is the rear view of FIG. 36;
FIG. 39 is the left-side view of FIG. 36;
FIG. 40 is the right-side view of FIG. 36;

(Continued)

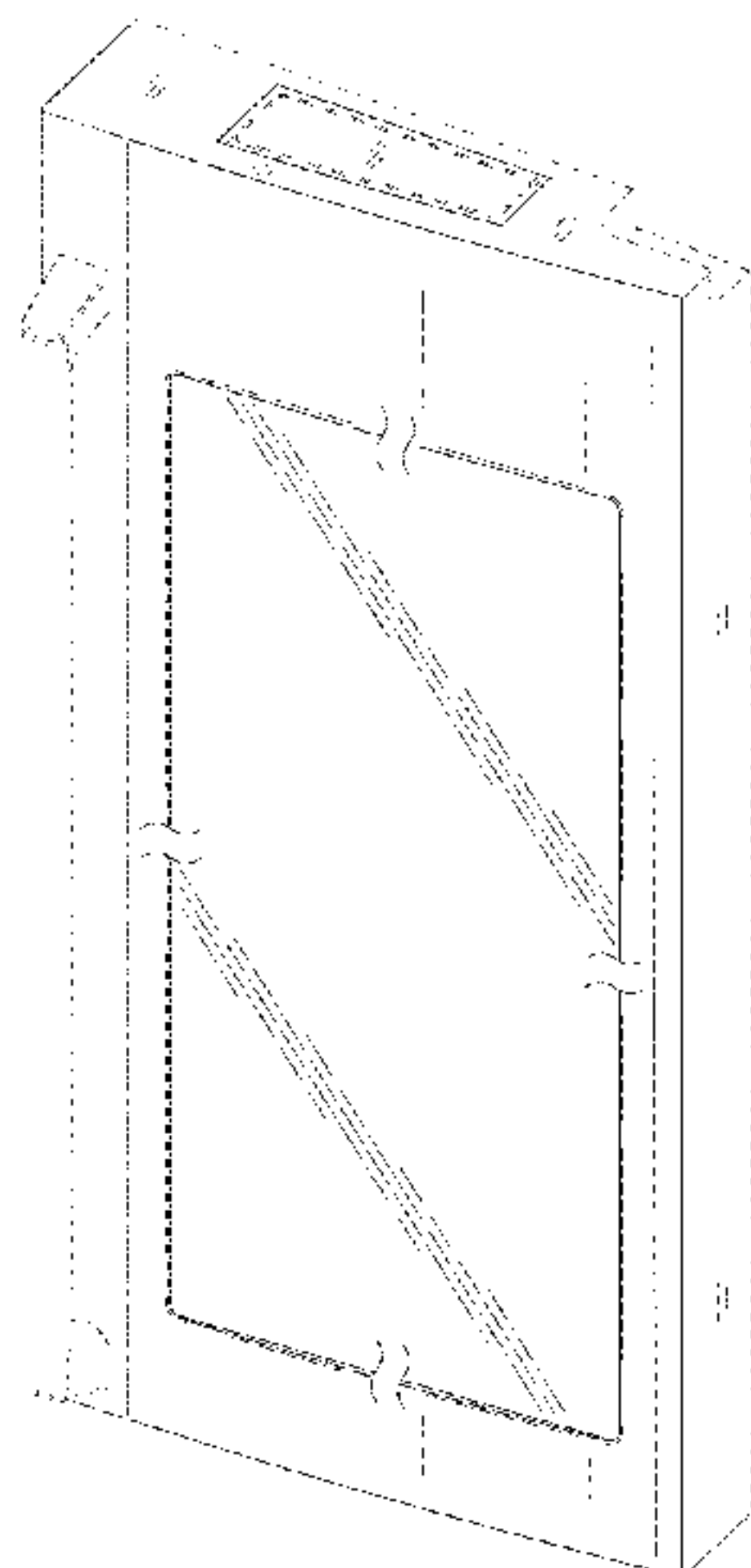


FIG. 41 is the top plan view of FIG. 36; and, FIG. 42 is the bottom plan view of FIG. 36. The broken lines depict portions of the refrigerator door that form no part of the claimed design. The dot-dash lines in the figures represent an unclaimed boundary line and form no part of the claimed design. The pairs of closely adjacent wave dot-dot dash lines form no part of the claimed design and the portion between such pairs of wave lines are broken away to disclose indeterminate length.

1 Claim, 36 Drawing Sheets

(58) **Field of Classification Search**
CPC F25D 25/025; F25D 23/028; F25D 2323/024; F25D 23/00; F25D 23/02; F25D 2323/021; F25D 23/065; F25D 11/00; F25D 2201/14; F25D 23/021; F25D 23/025; F25D 23/04; F25D 27/00; F25D 23/062; F25D 23/067; F25D

2400/18; F25D 23/08; F25D 23/085; F25D 2500/02; F25D 25/00; F25D 25/005; F25D 25/022; F25D 25/024; F25D 17/047; F25D 2317/041; F25D 2317/04131; F25D 2317/043; F25D 2317/0664; F25D 2321/147; F25D 2323/02; F25D 2323/023

See application file for complete search history.

(56)

References Cited

U.S. PATENT DOCUMENTS

D760,820	S	*	7/2016	Lee	D15/91
D760,823	S	*	7/2016	Lee	D15/91
D761,336	S	*	7/2016	Lee	D15/91
D768,738	S	*	10/2016	Lee	D15/91
D768,739	S	*	10/2016	Lee	D15/91
D769,948	S	*	10/2016	Lee	D15/91
D783,691	S	*	4/2017	Kim	D15/91

* cited by examiner

FIG. 1

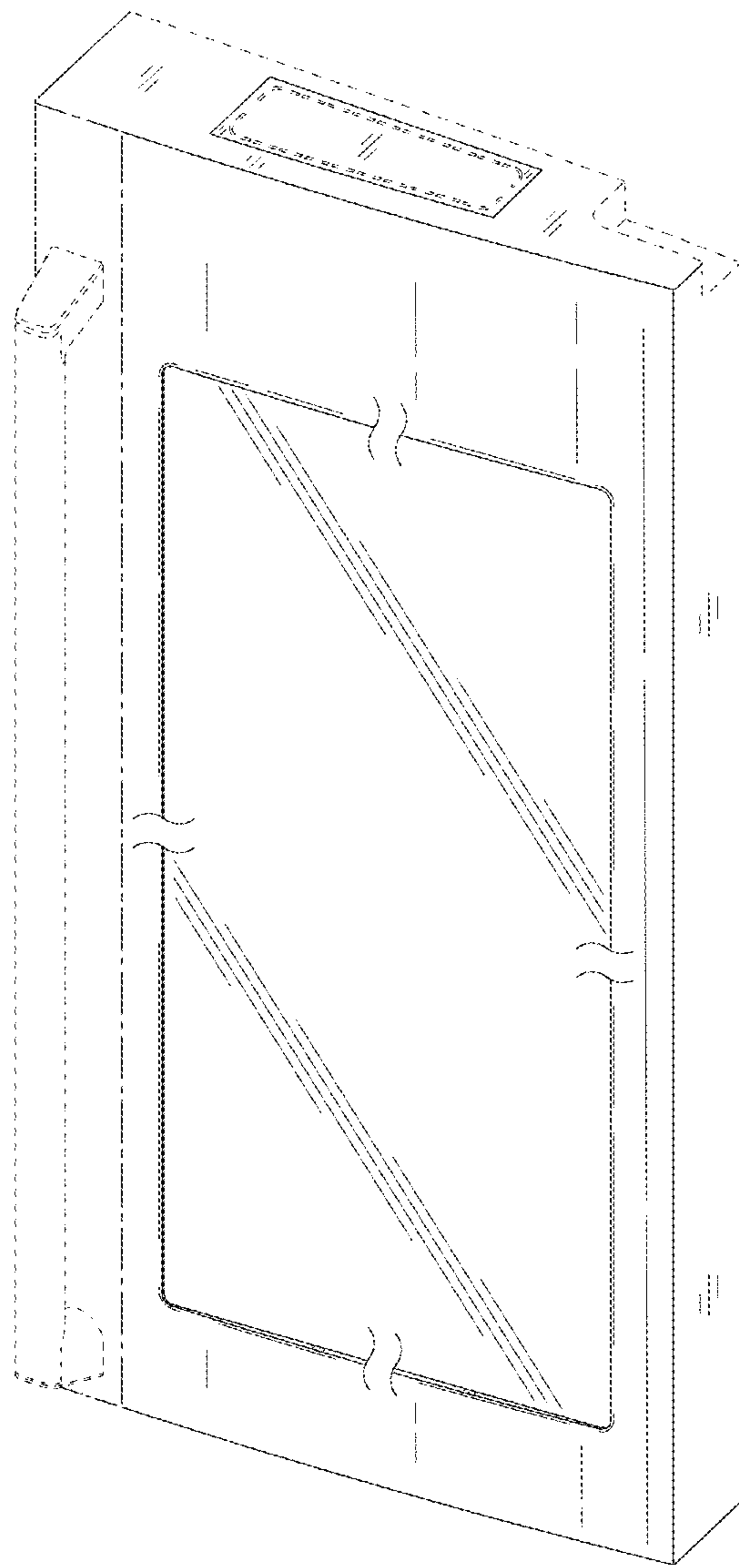


FIG. 2

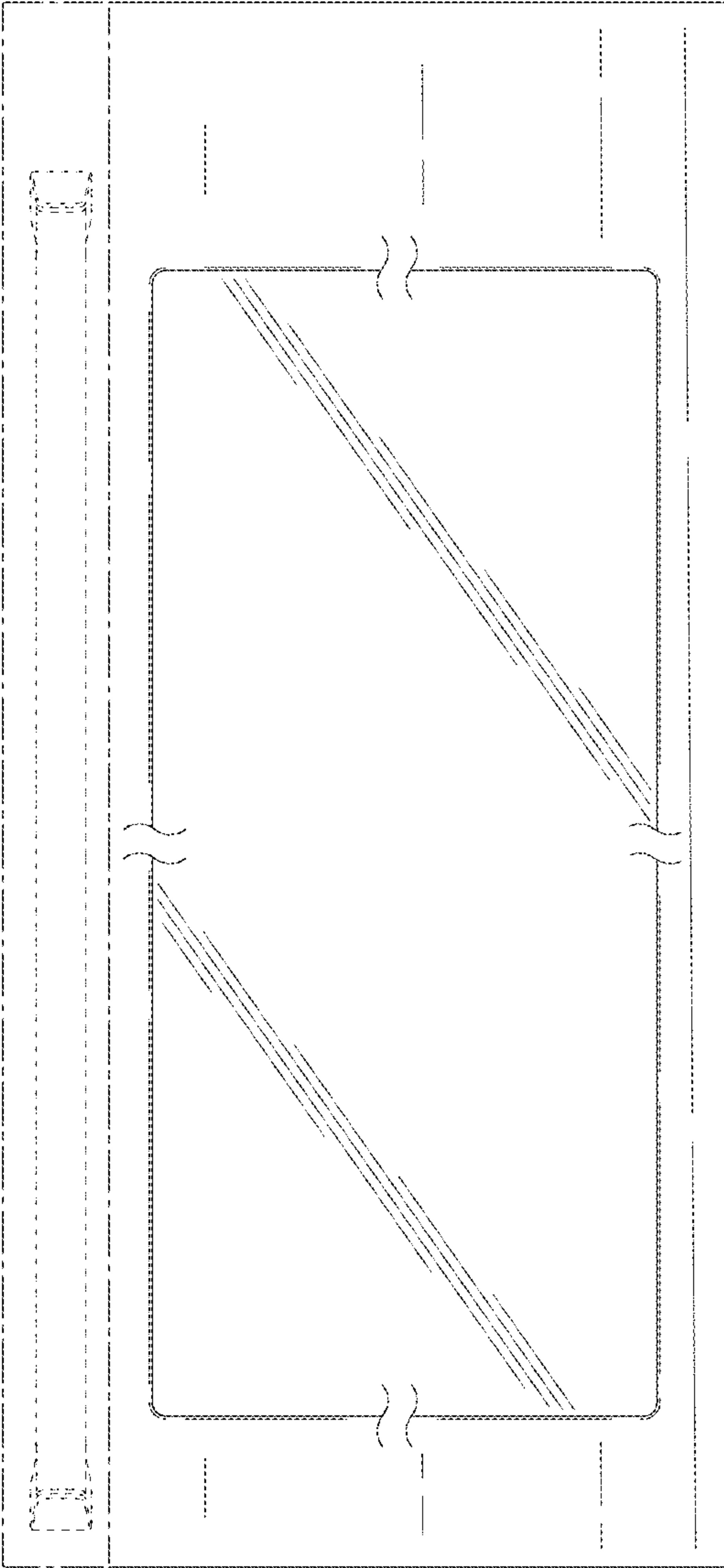


FIG. 3

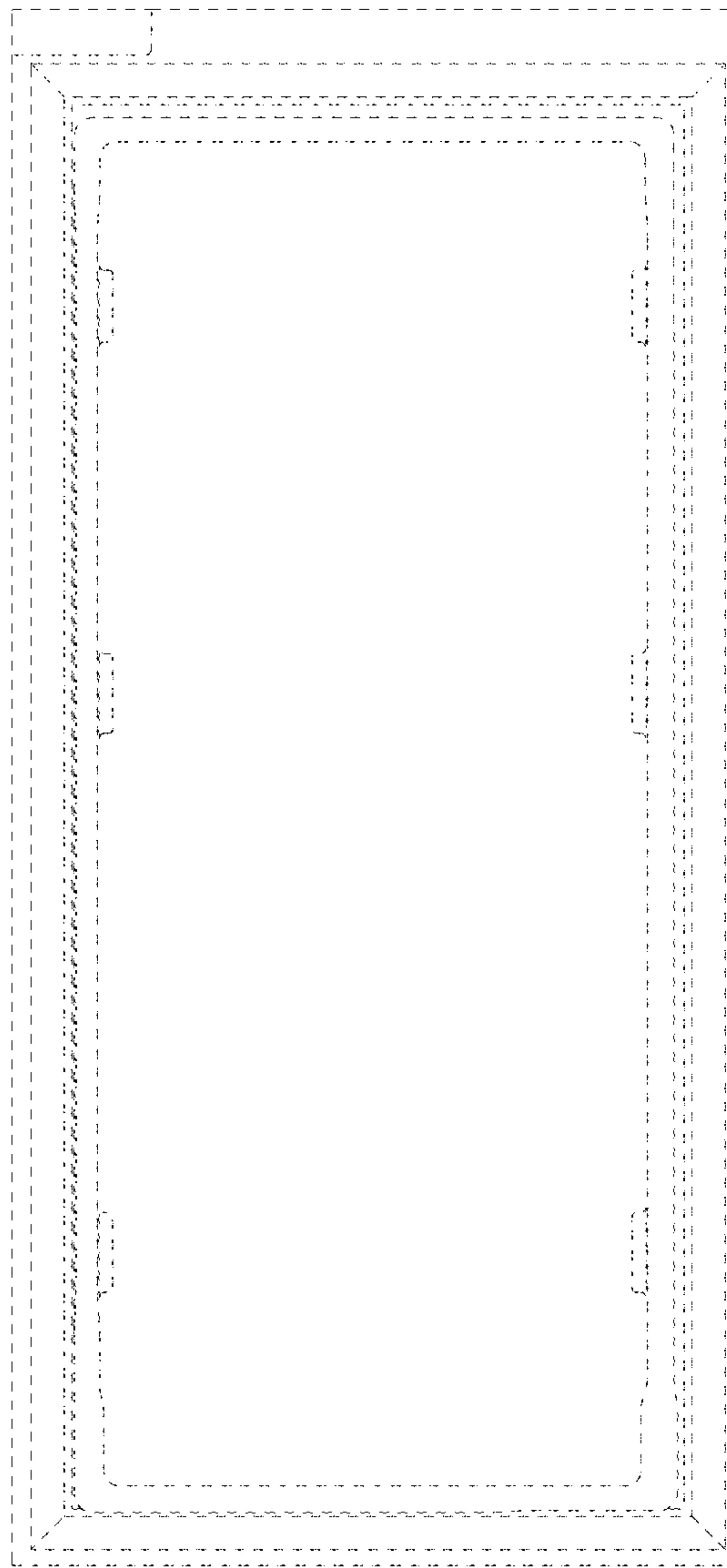


FIG. 4

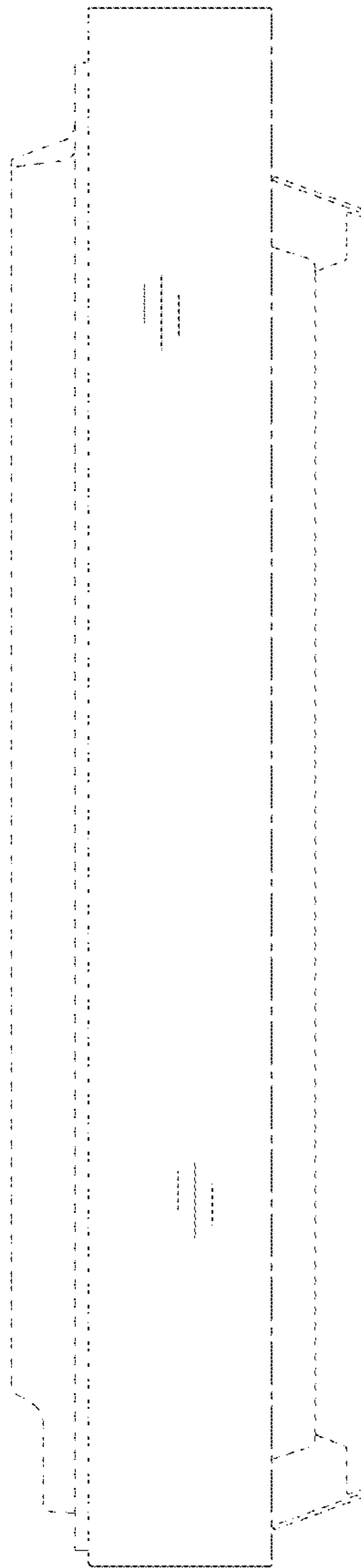


FIG. 5

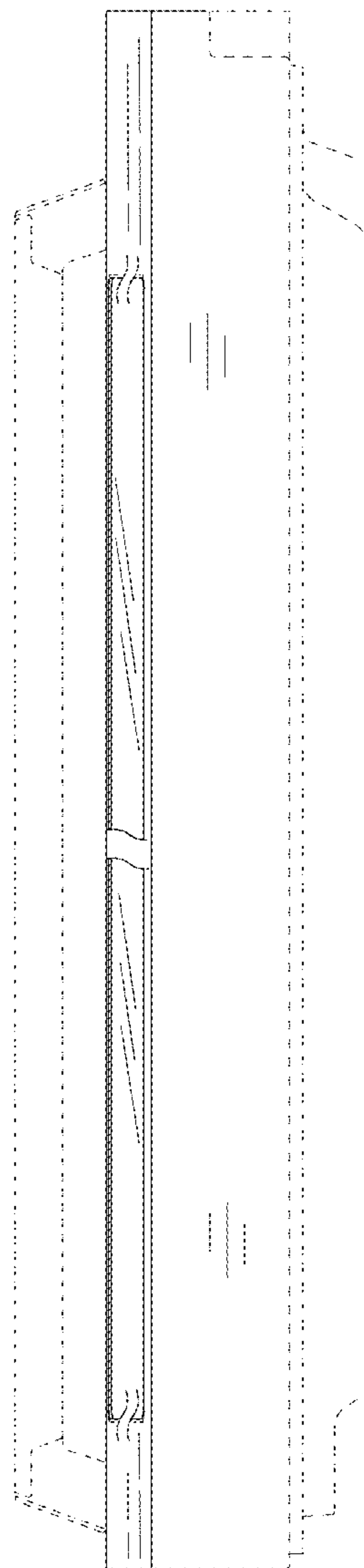


FIG. 6

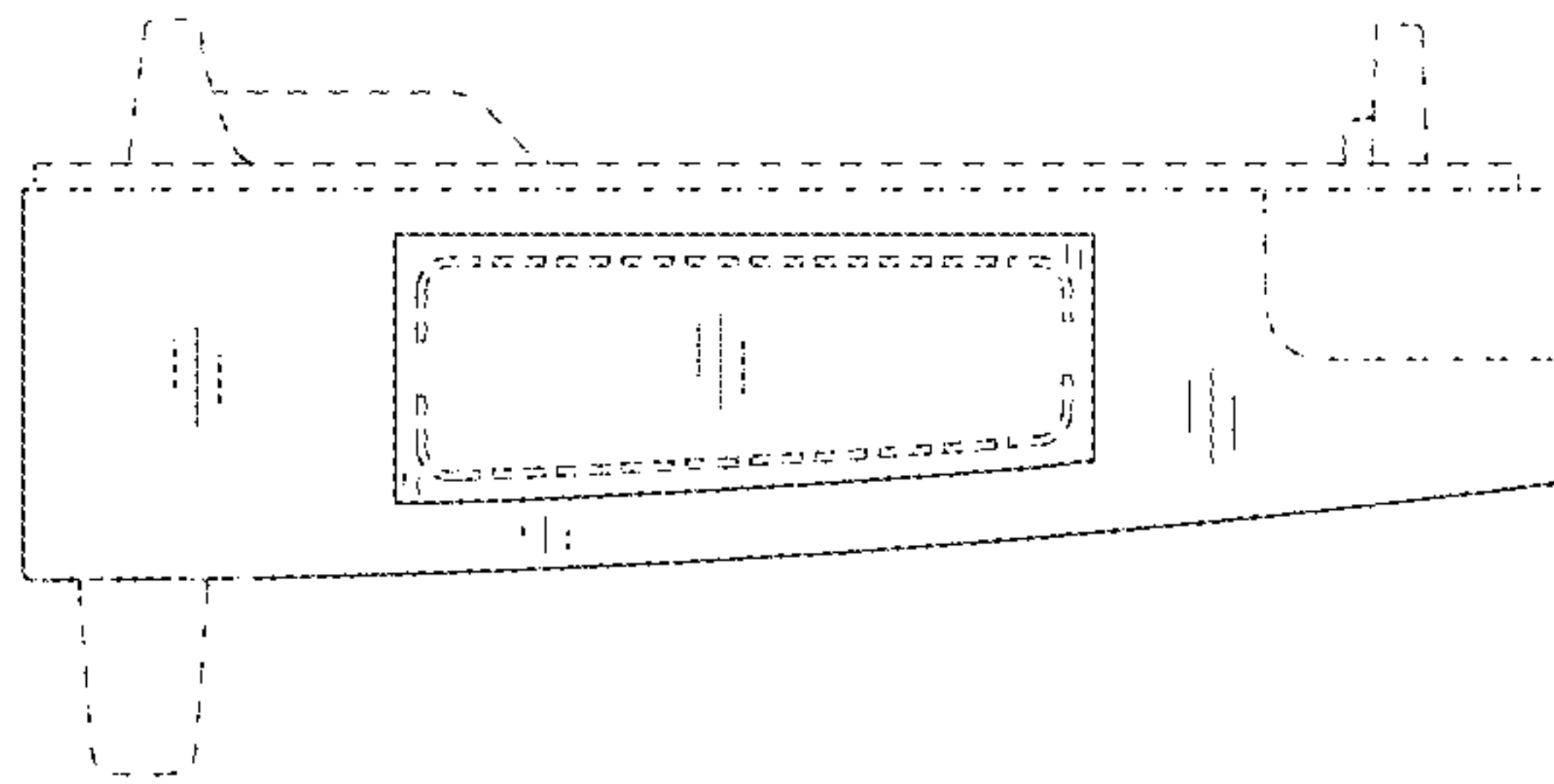


FIG. 7

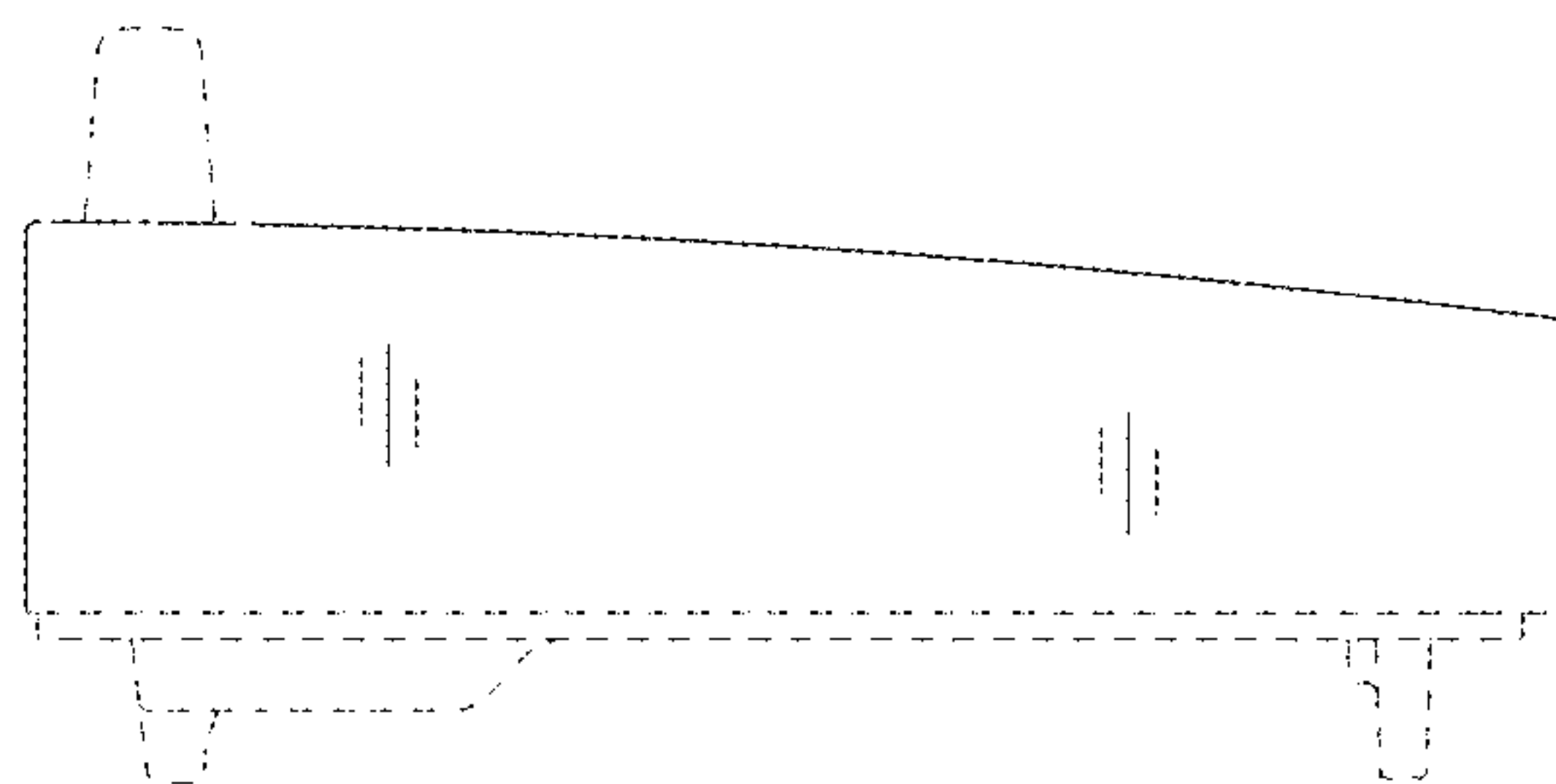


FIG. 8

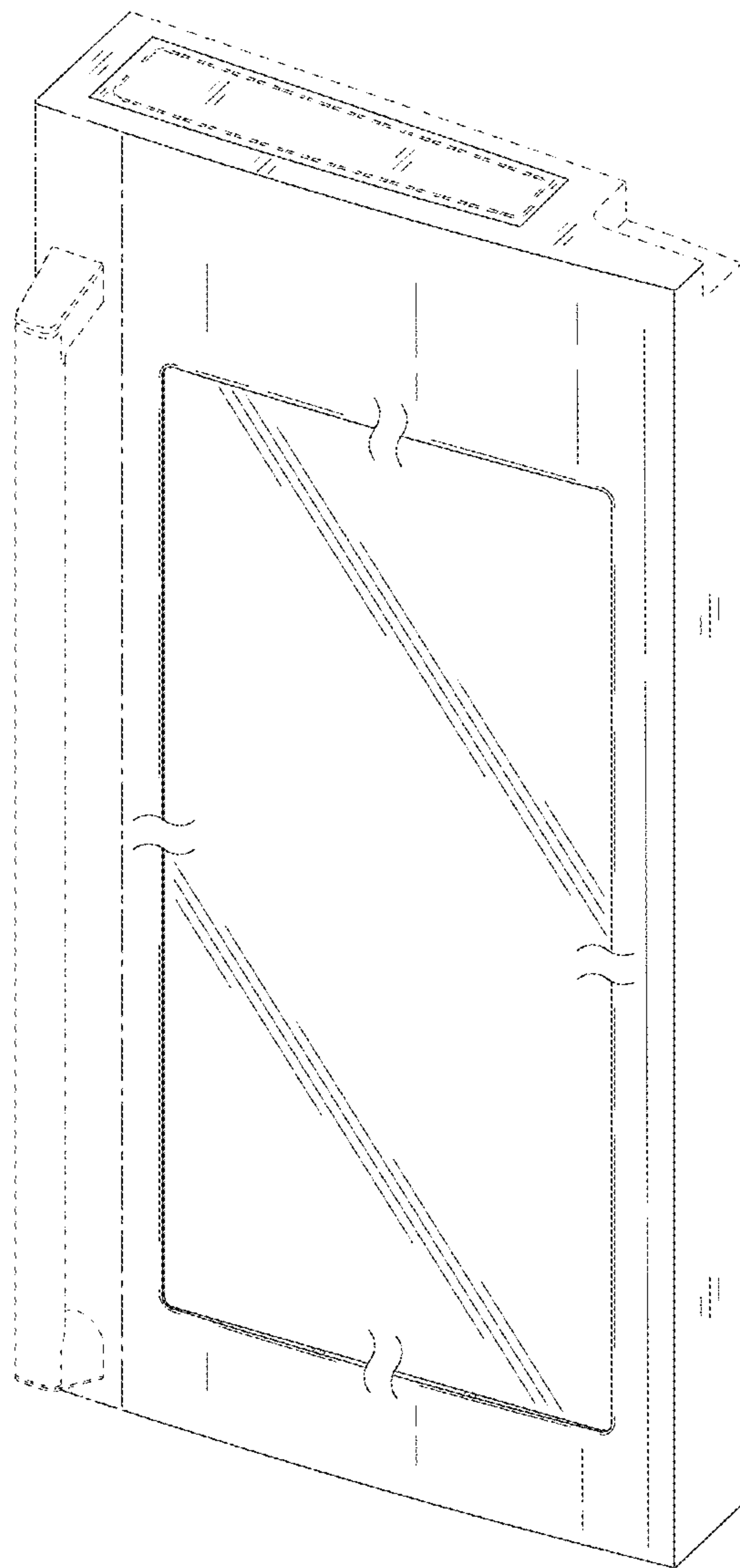


FIG. 9

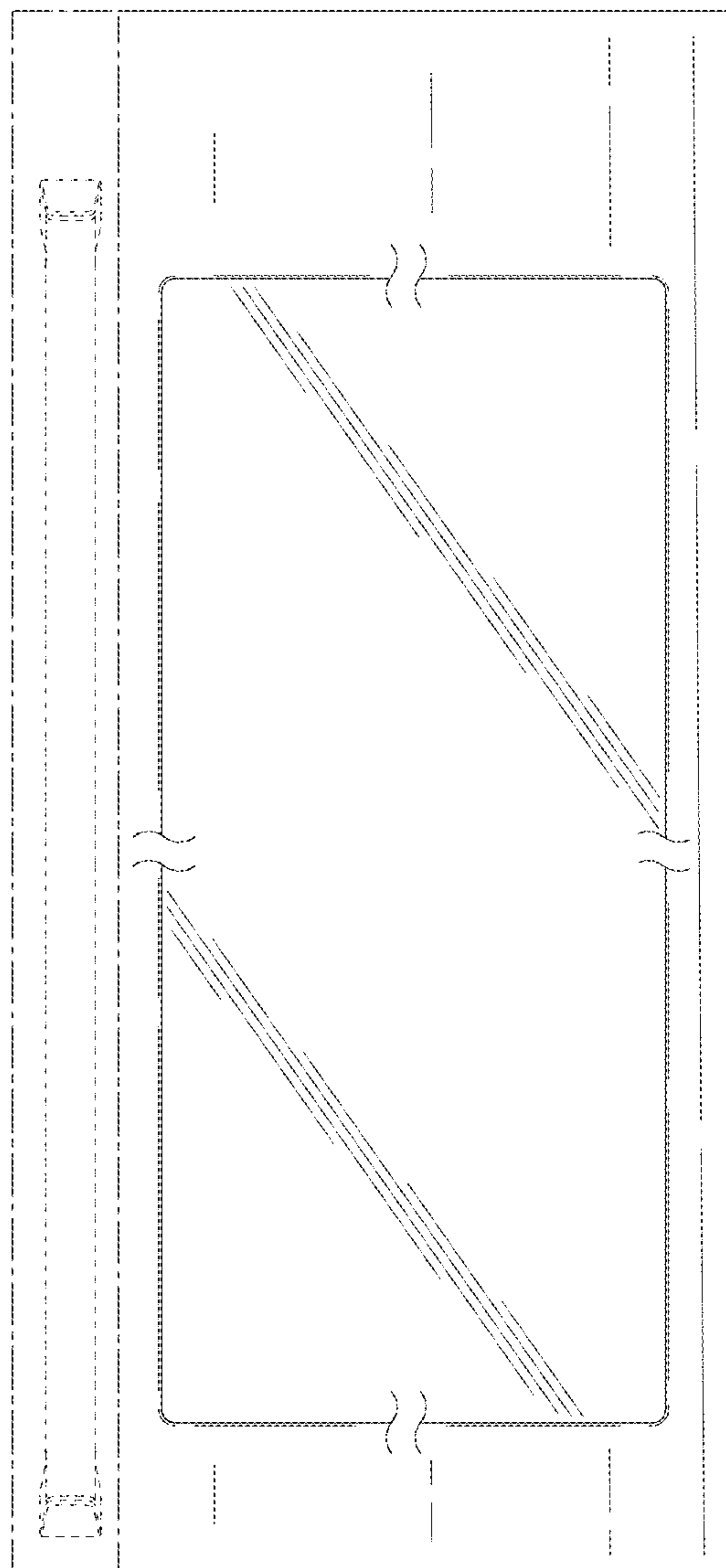


FIG. 10

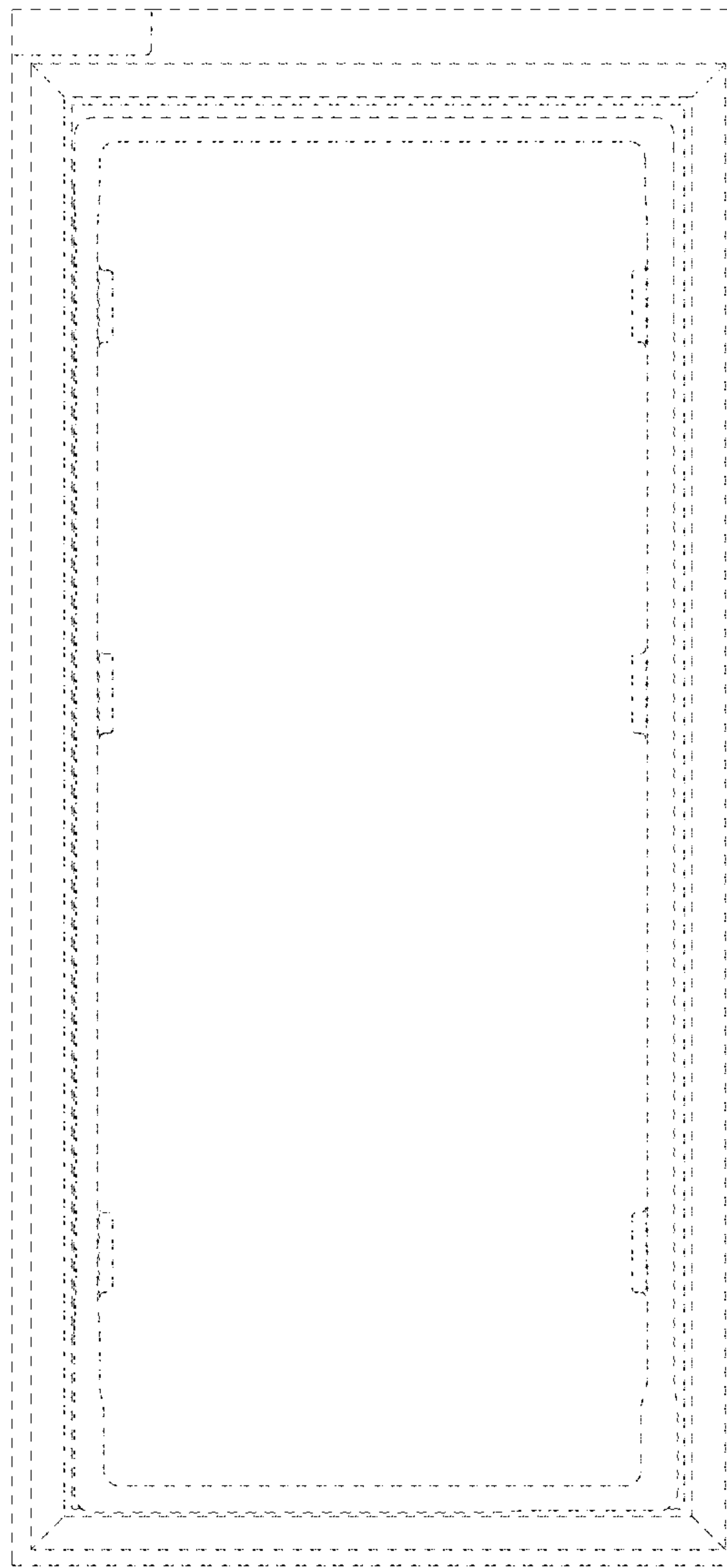


FIG. 11

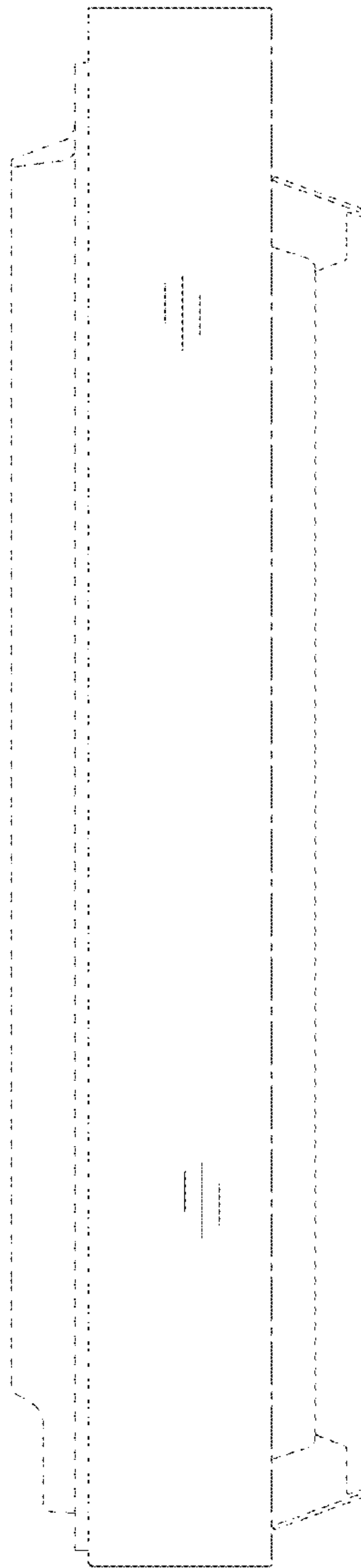


FIG. 12

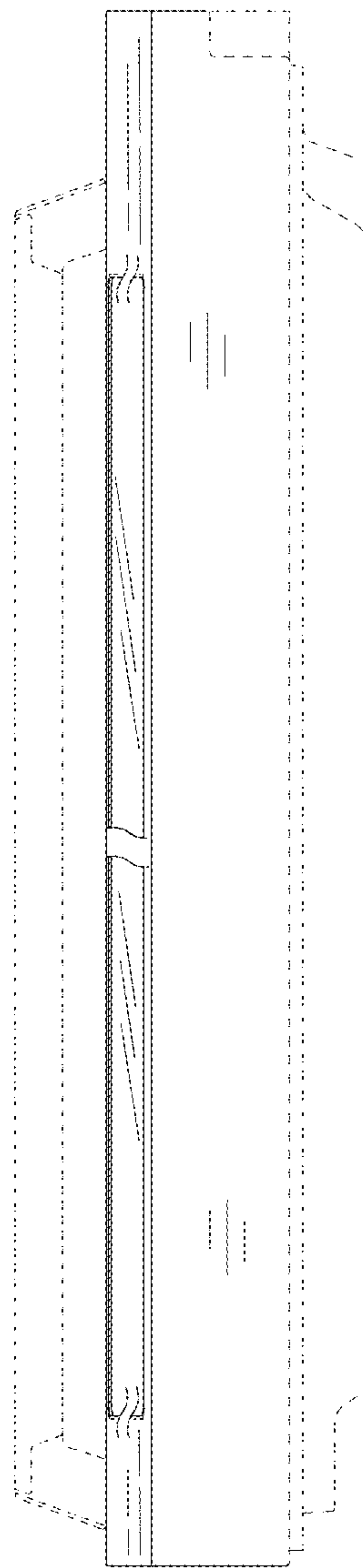


FIG. 13

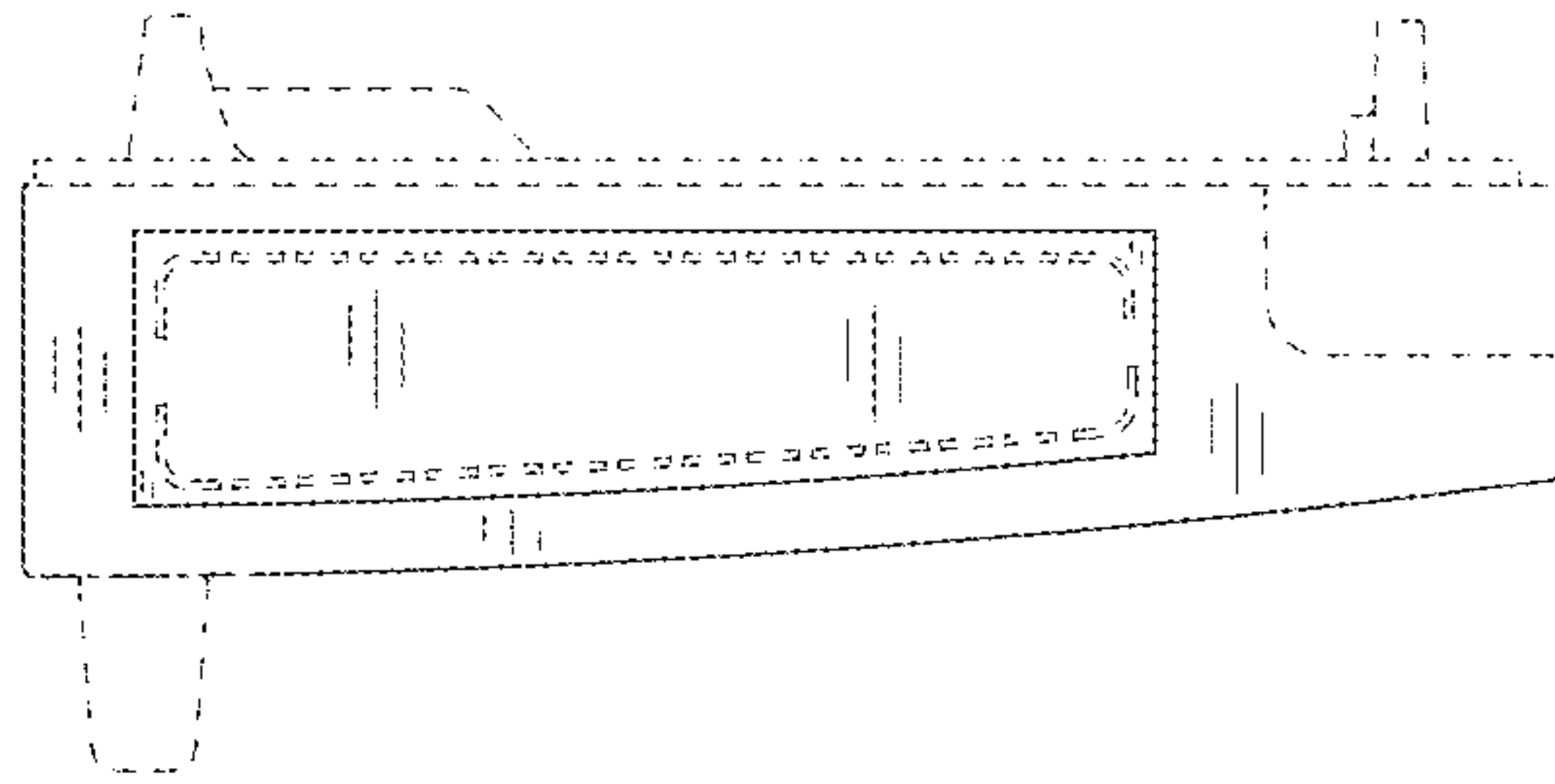


FIG. 14

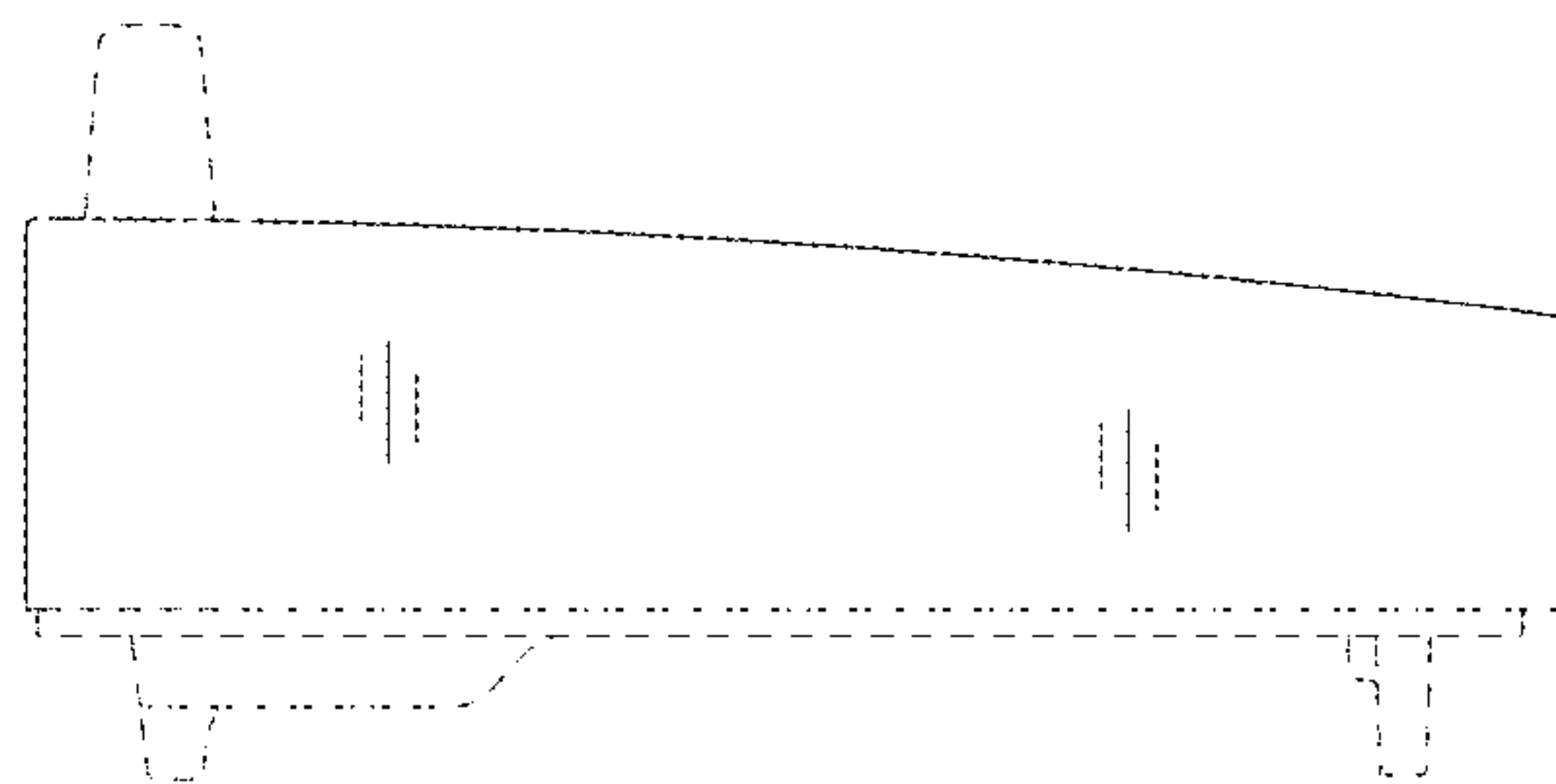


FIG. 15

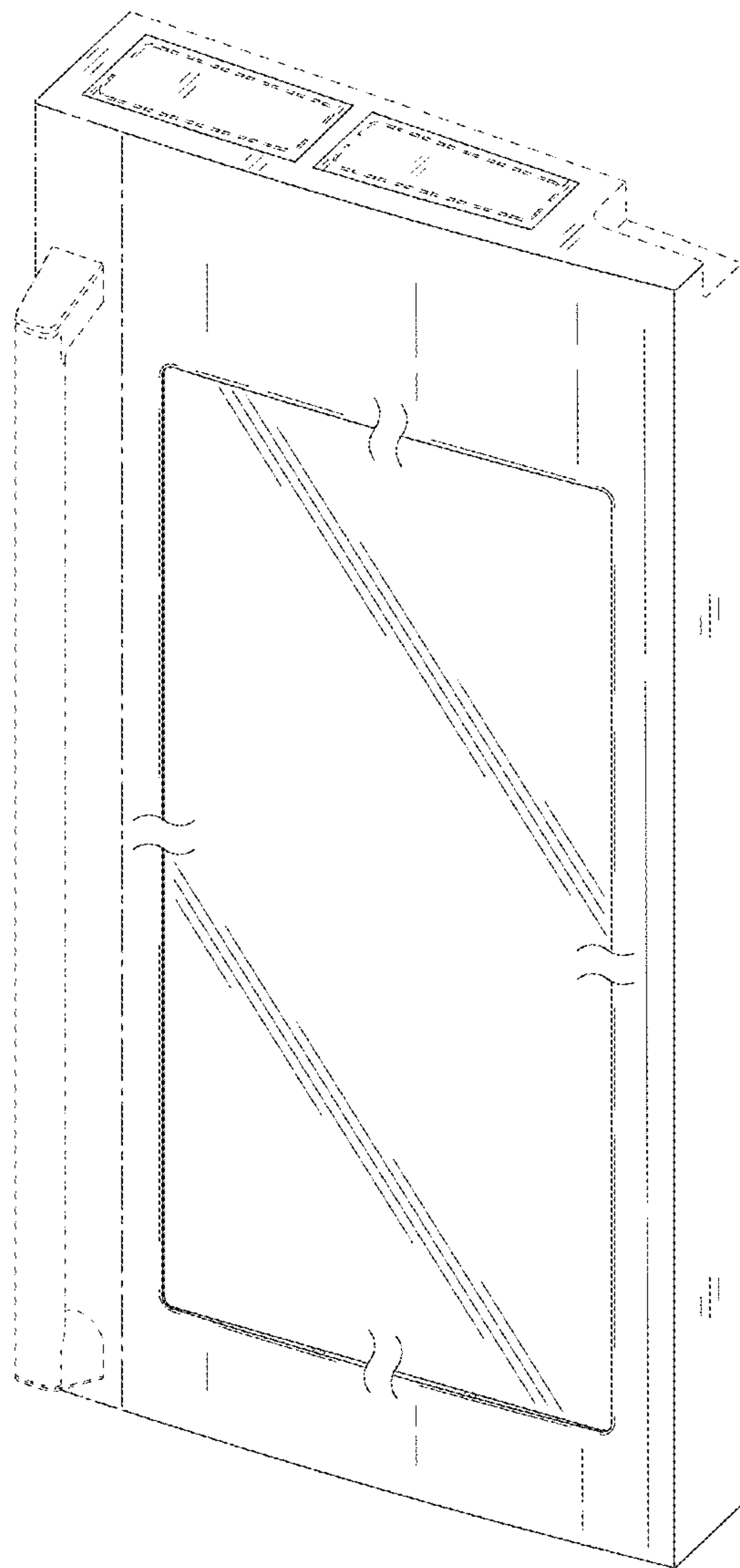


FIG. 16

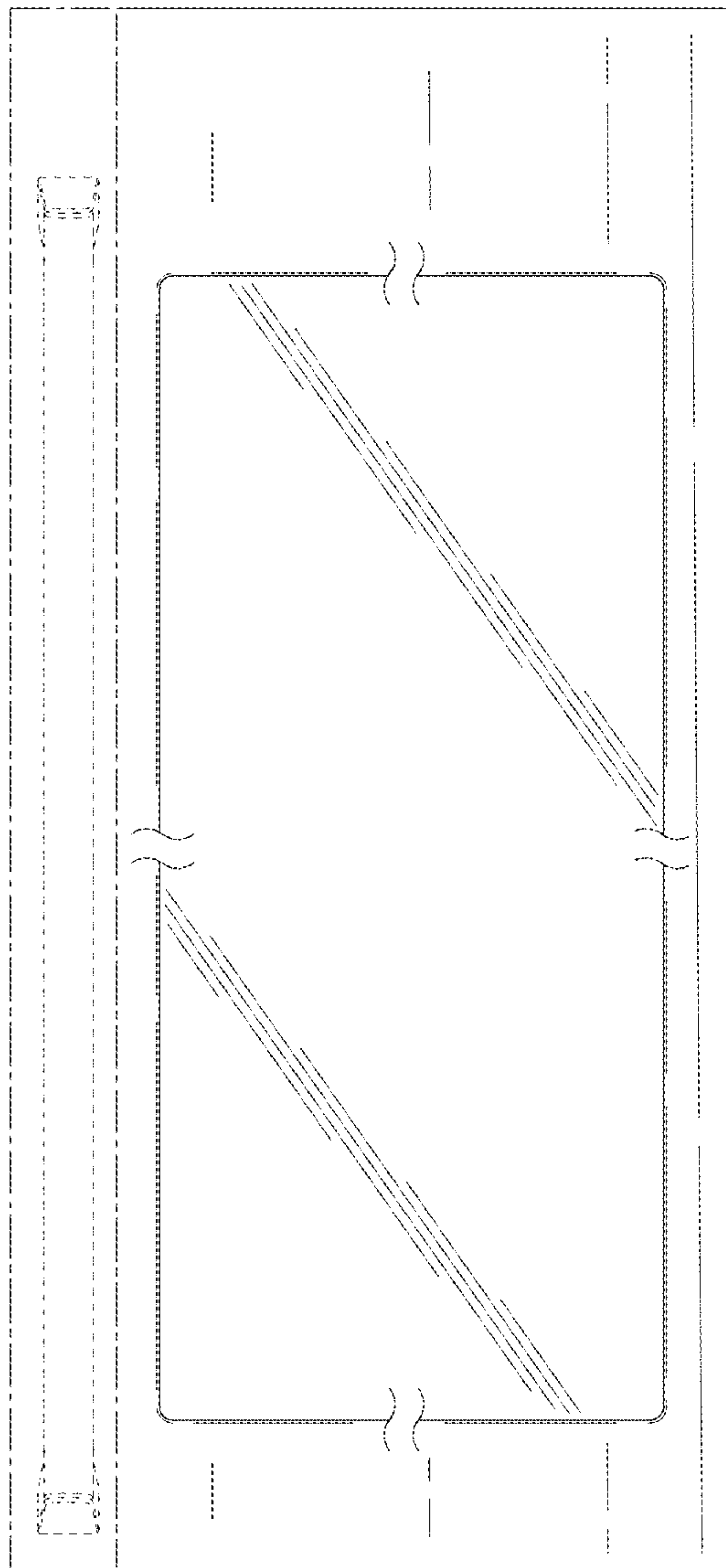


FIG. 17



FIG. 18

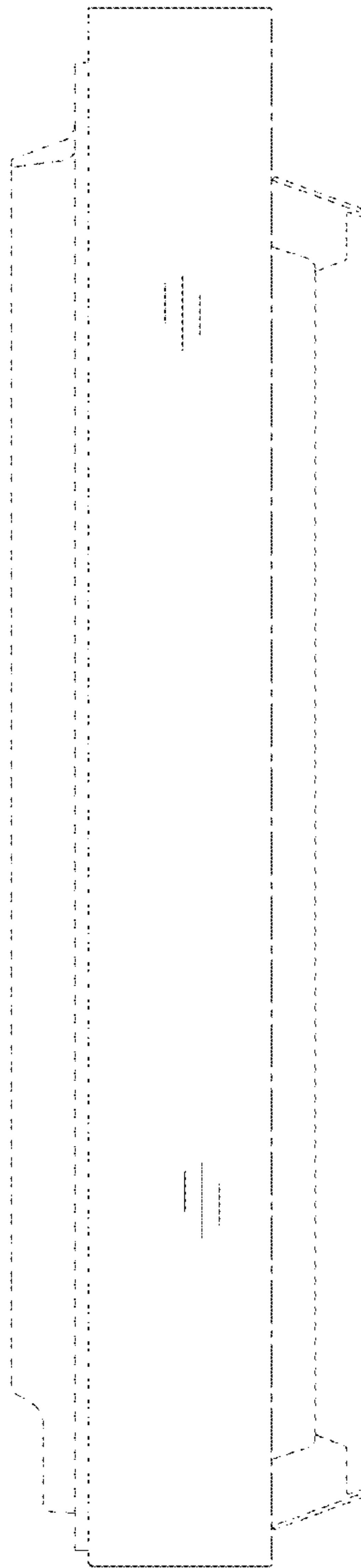


FIG. 19

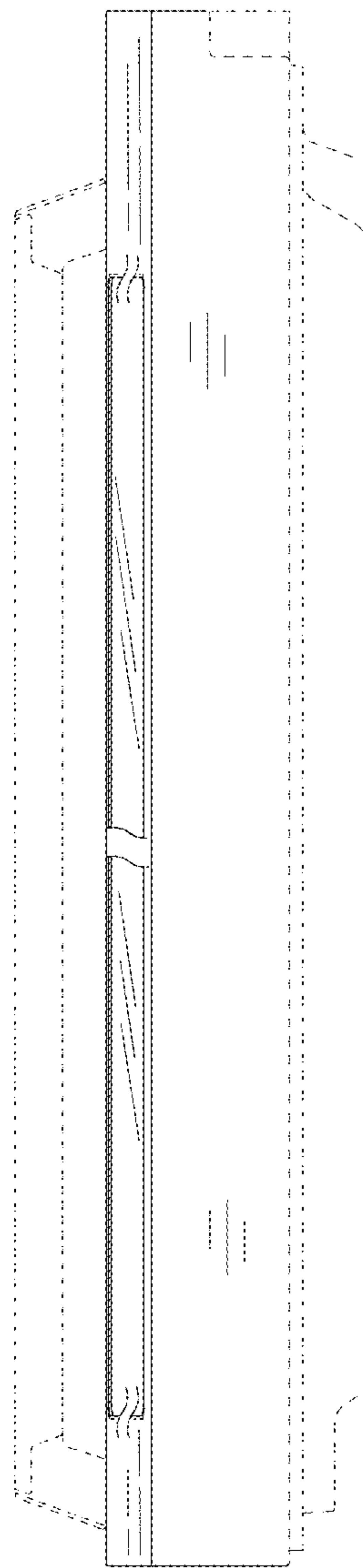


FIG. 20

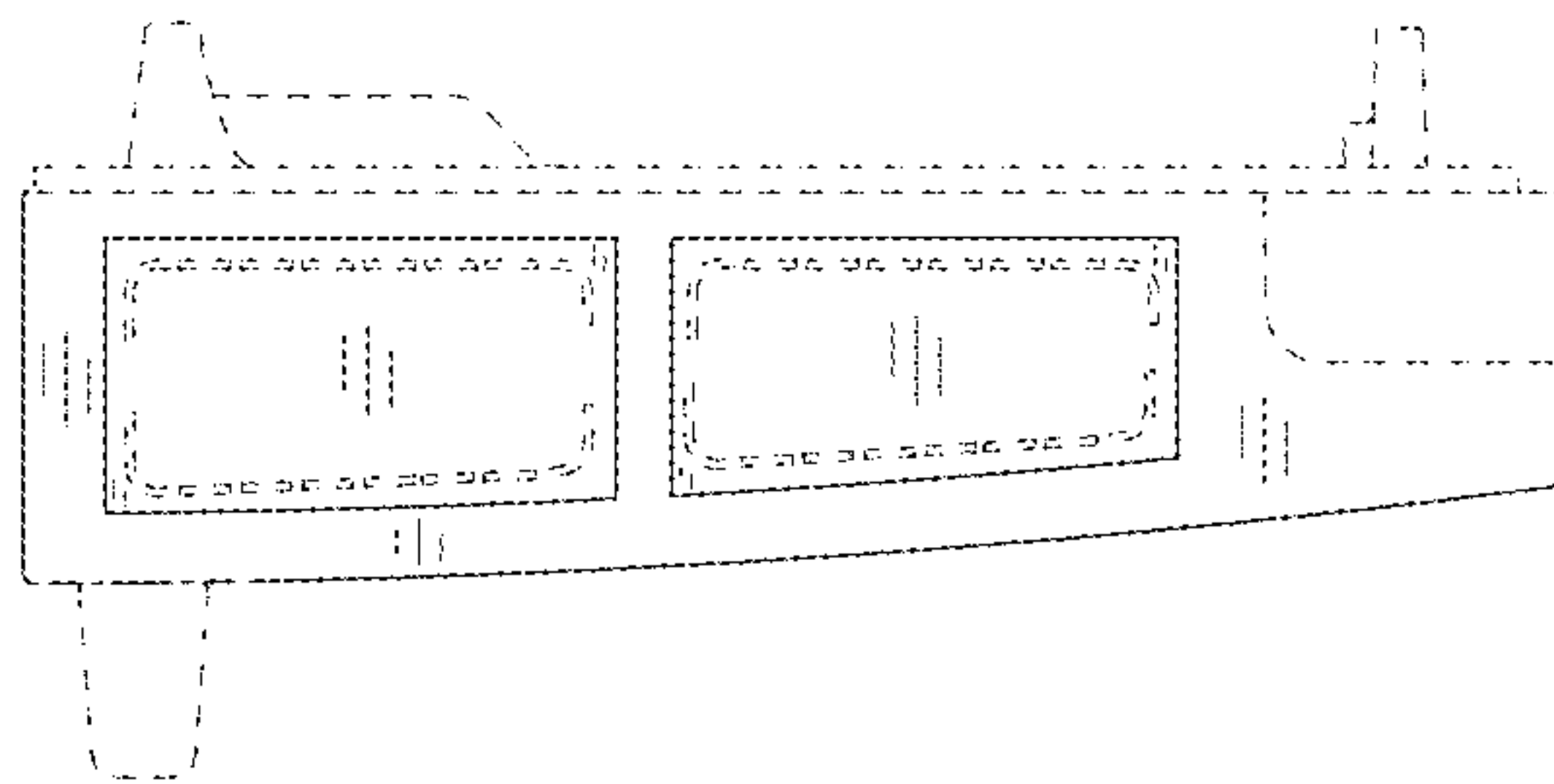


FIG. 21

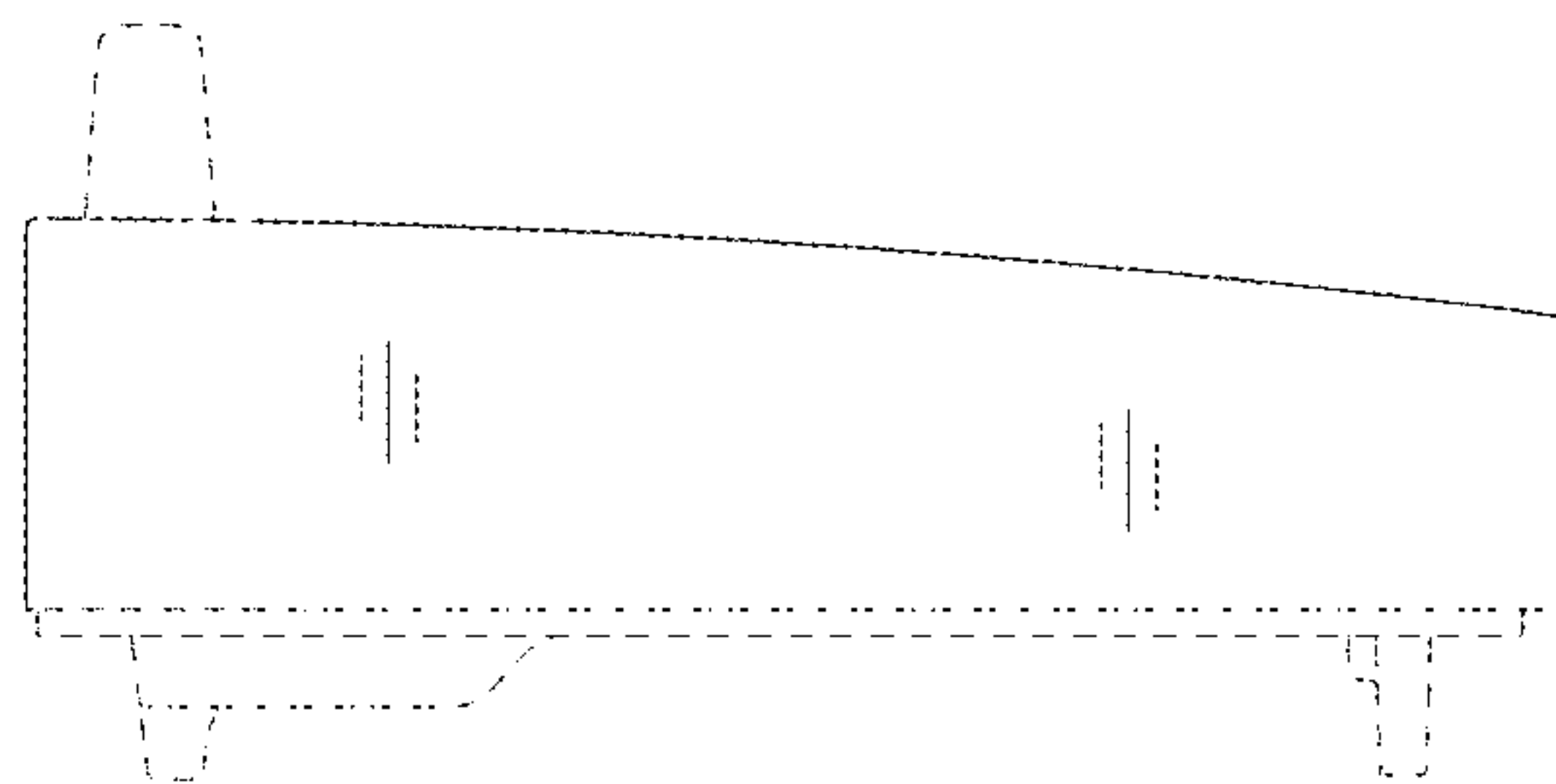


FIG. 22

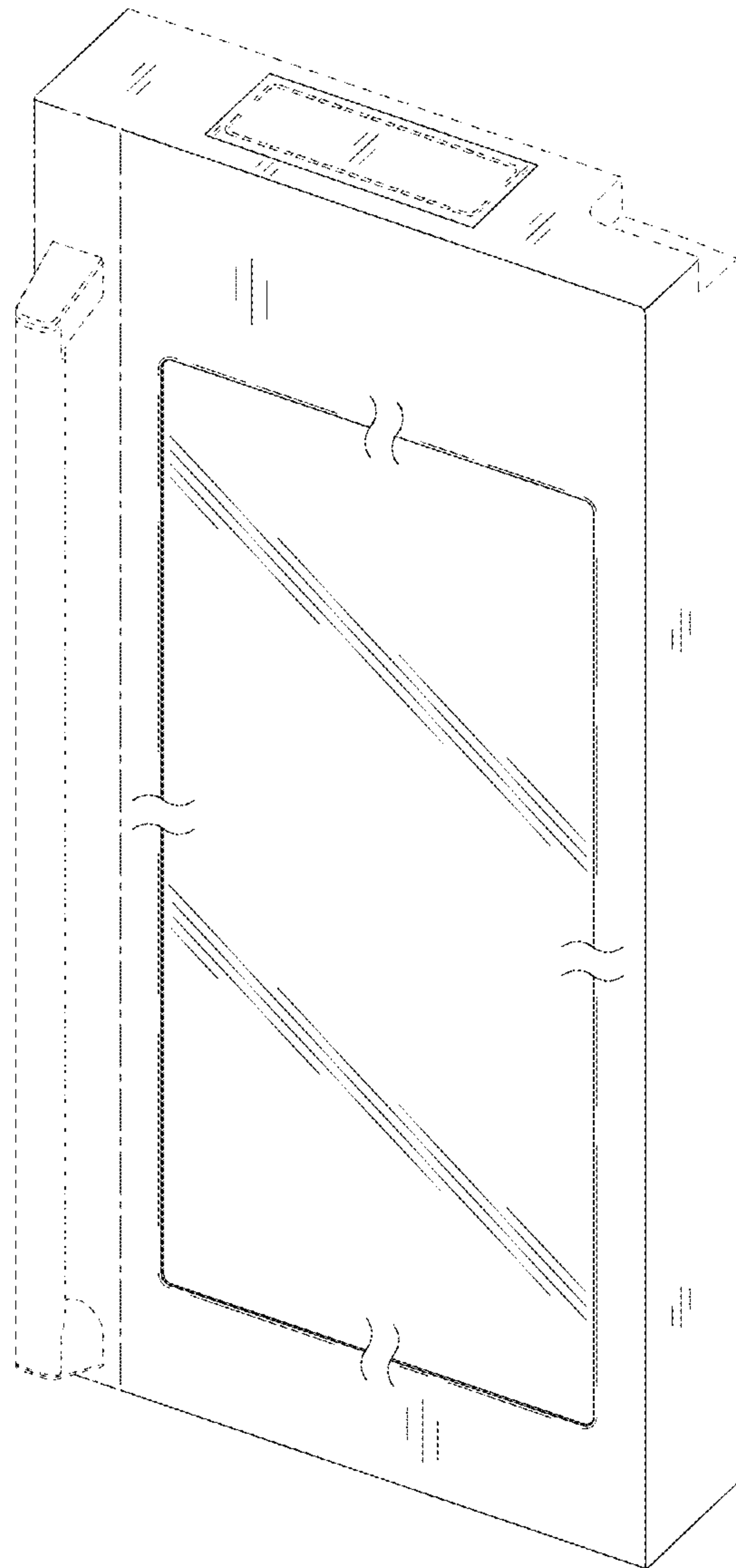


FIG. 23

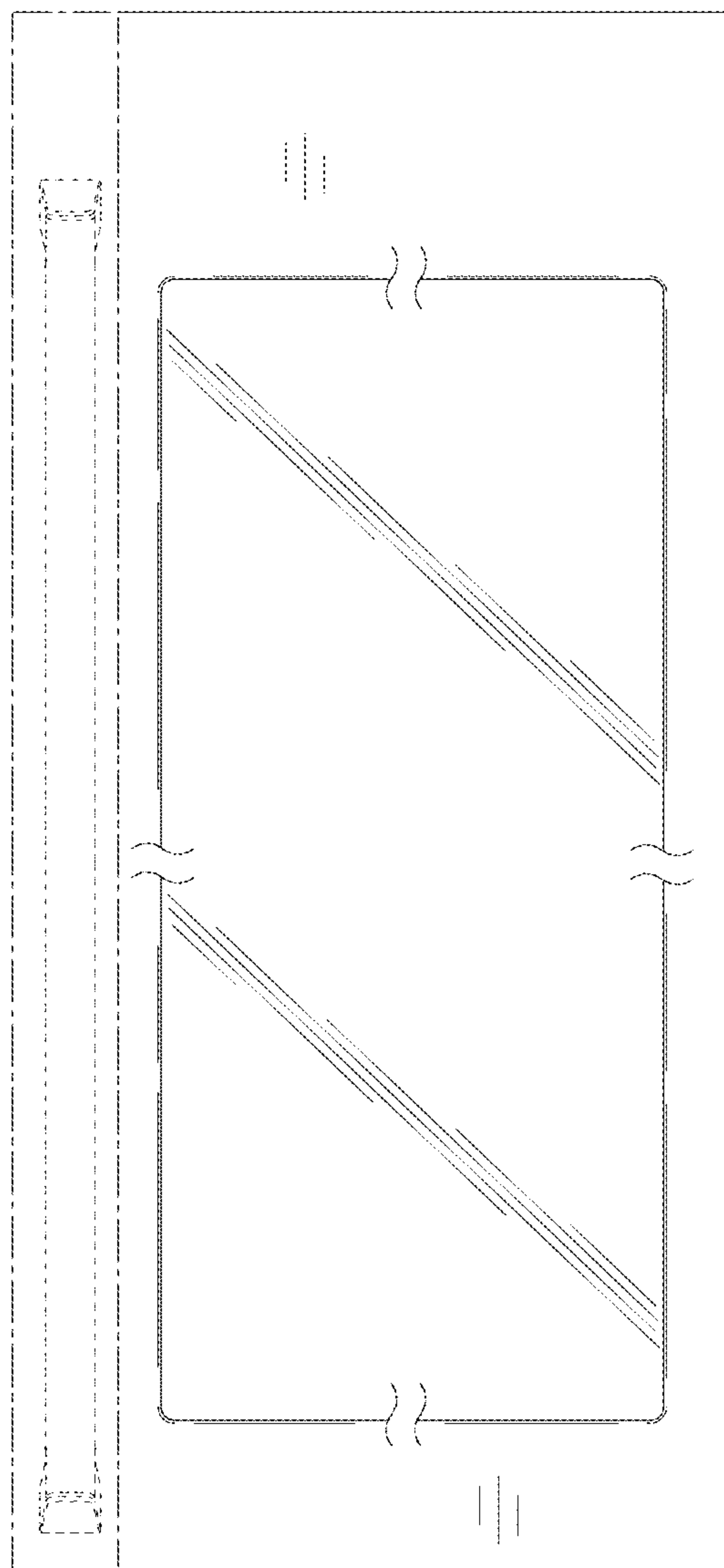


FIG. 24

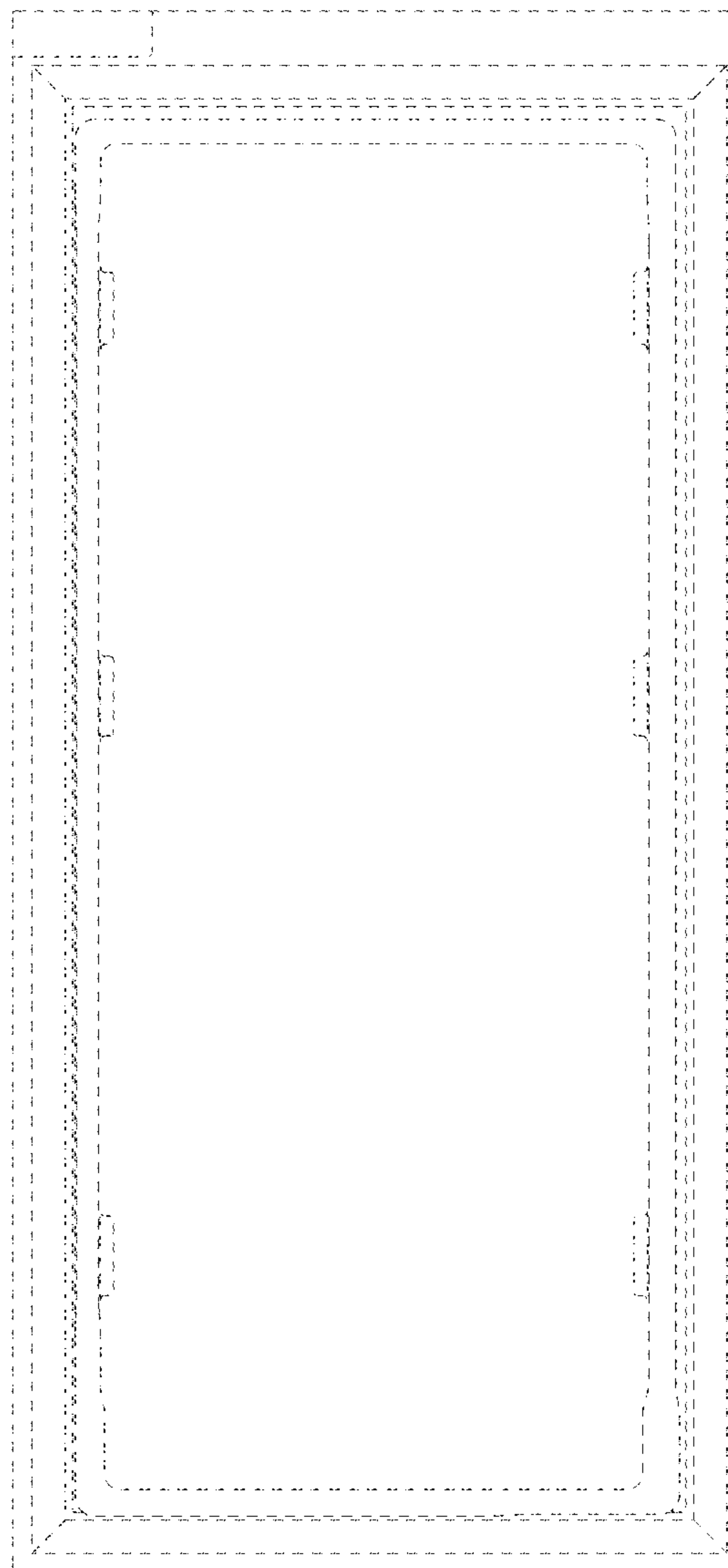


FIG. 25

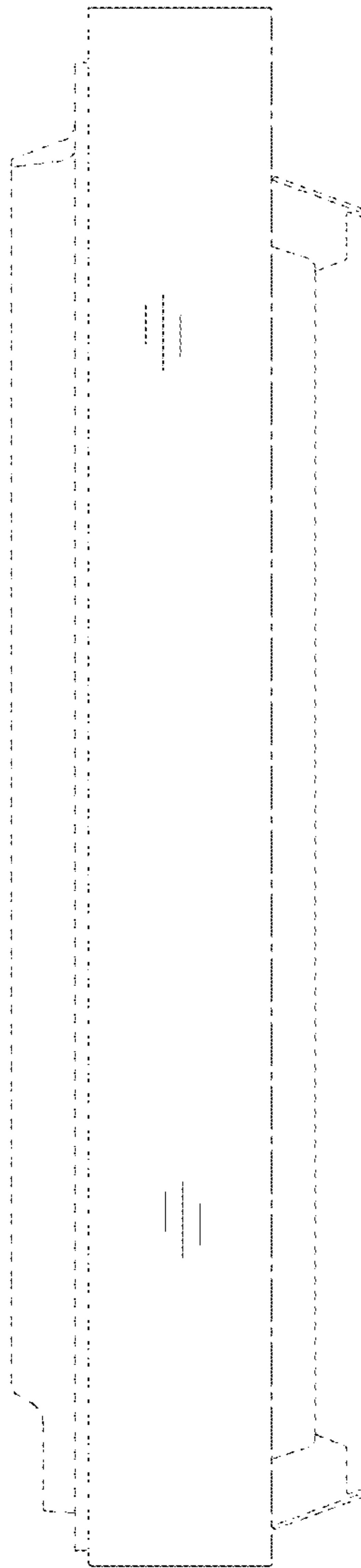


FIG. 26

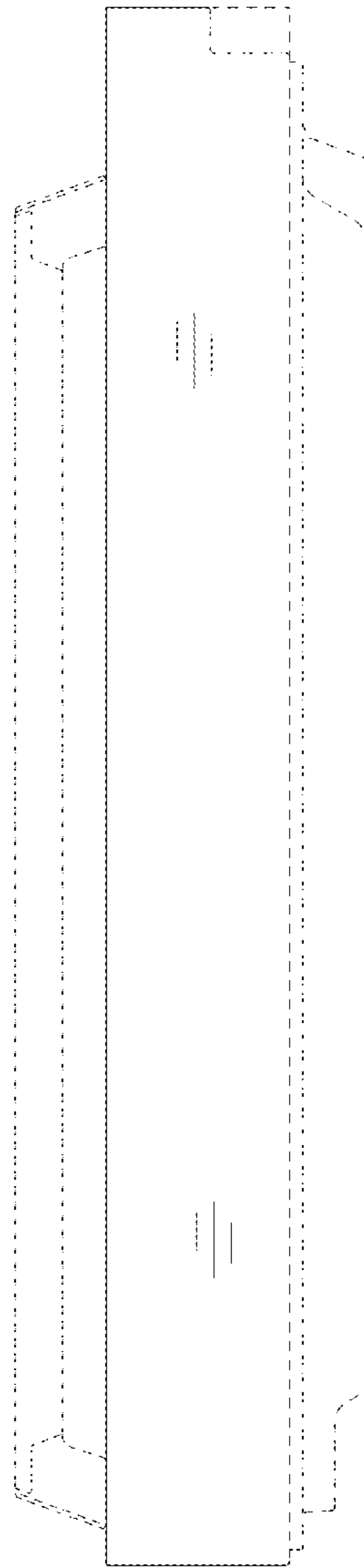


FIG. 27

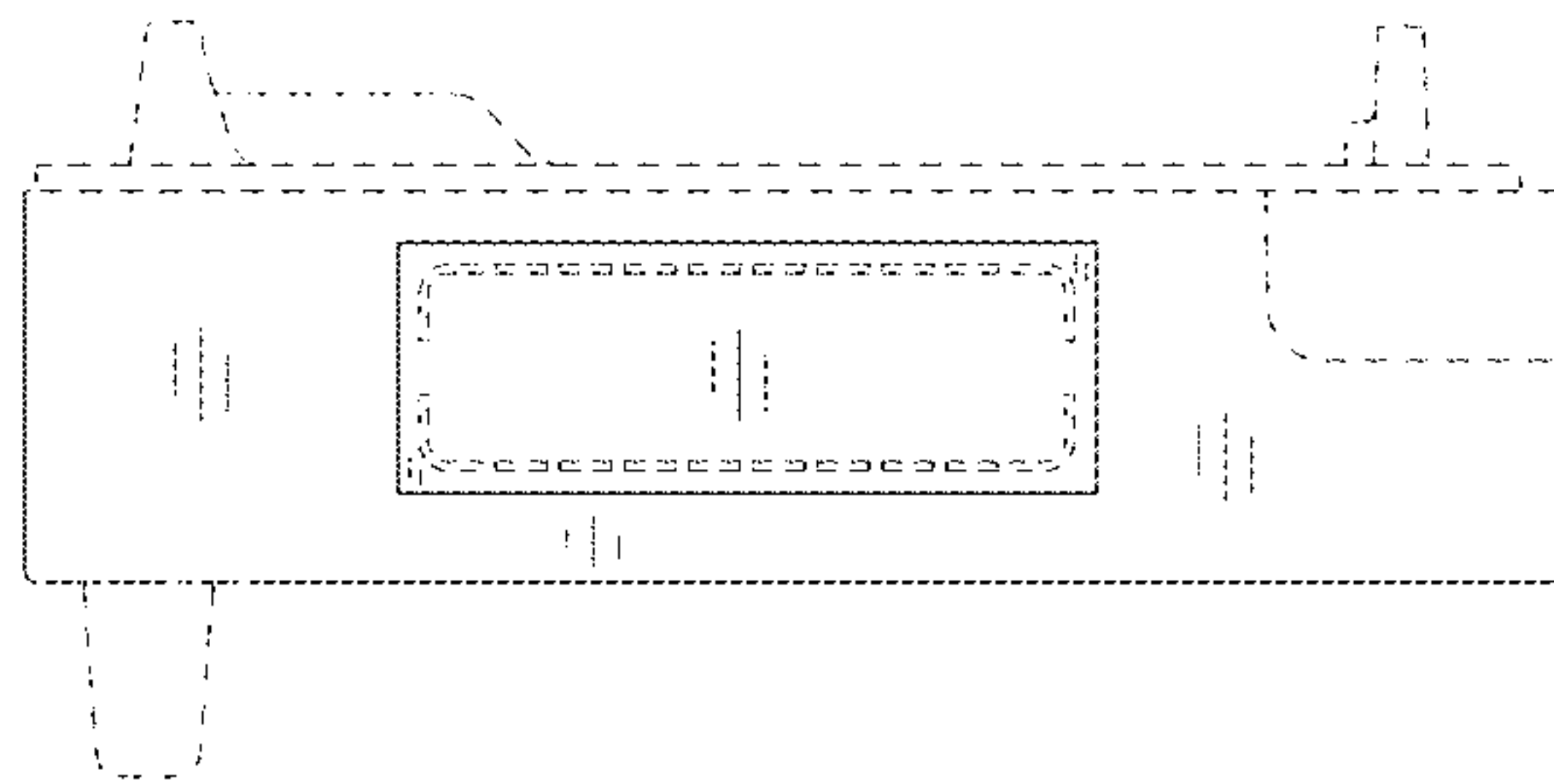


FIG. 28

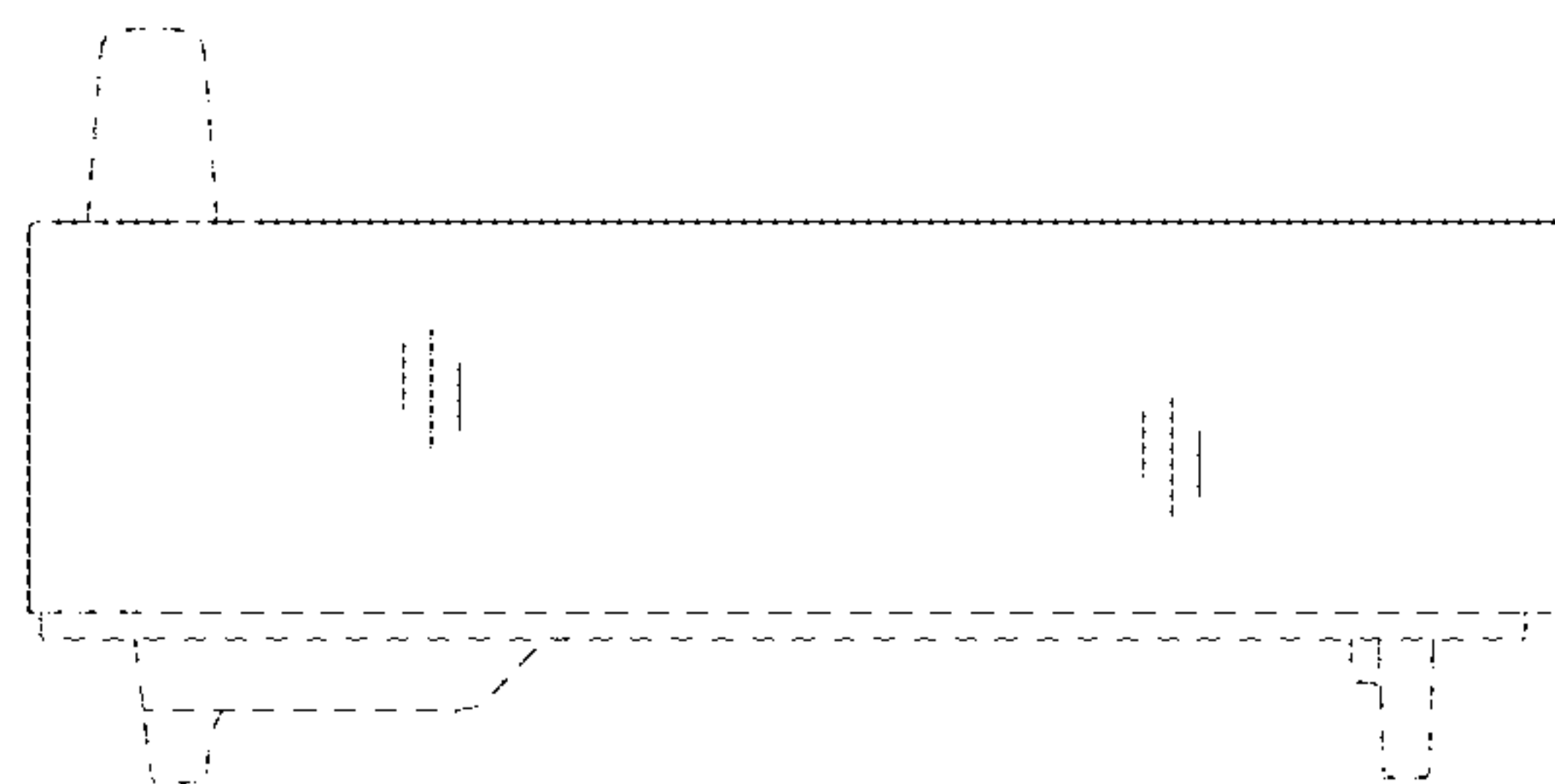


FIG. 29

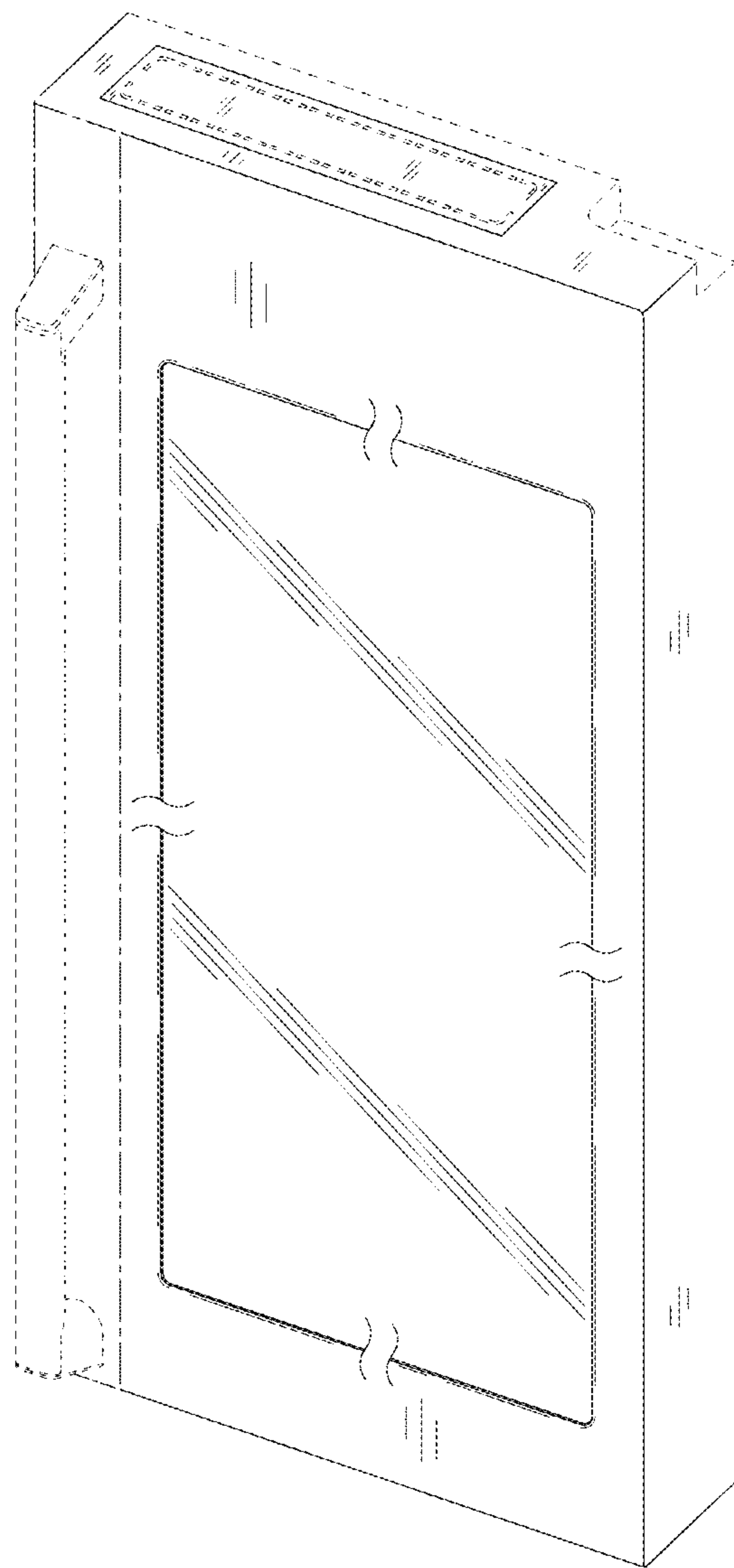


FIG. 30

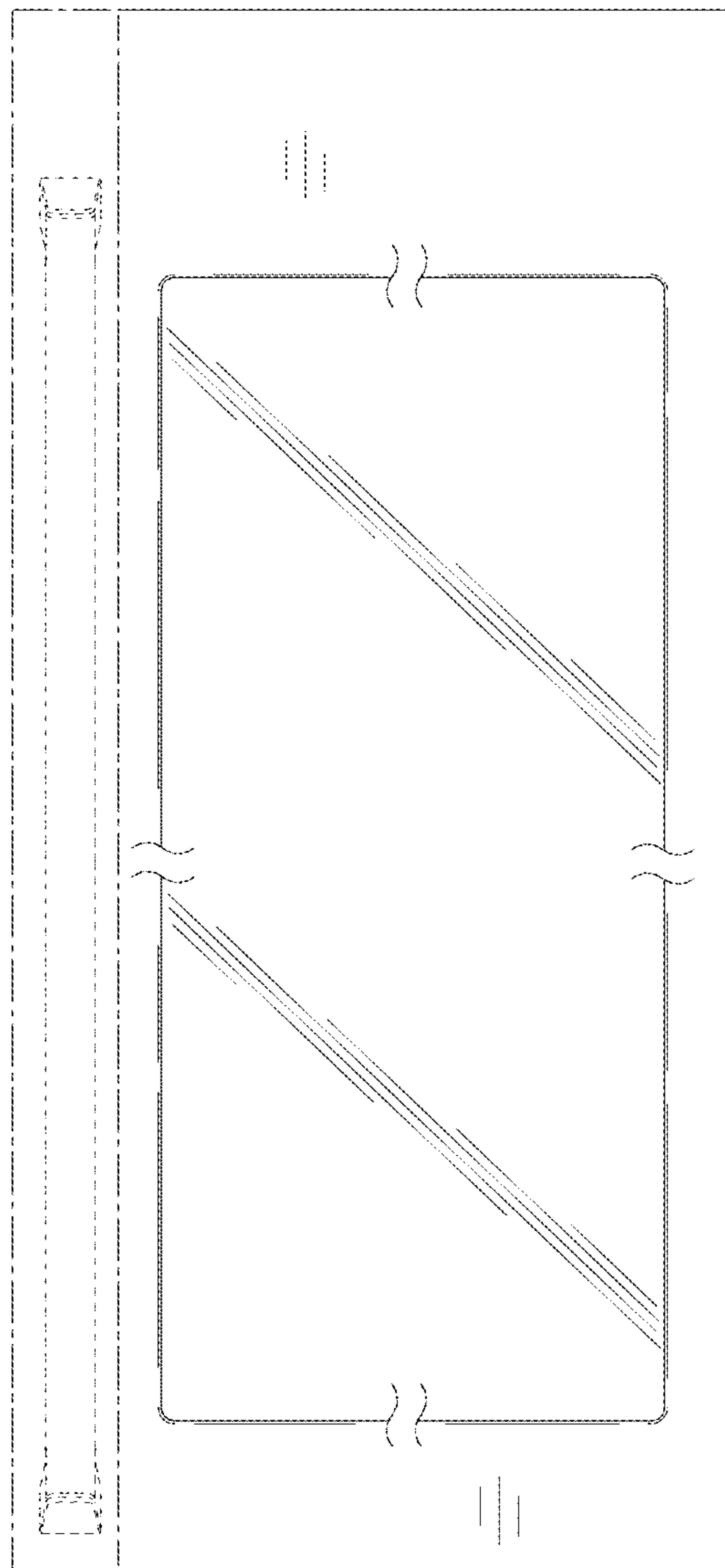


FIG. 31

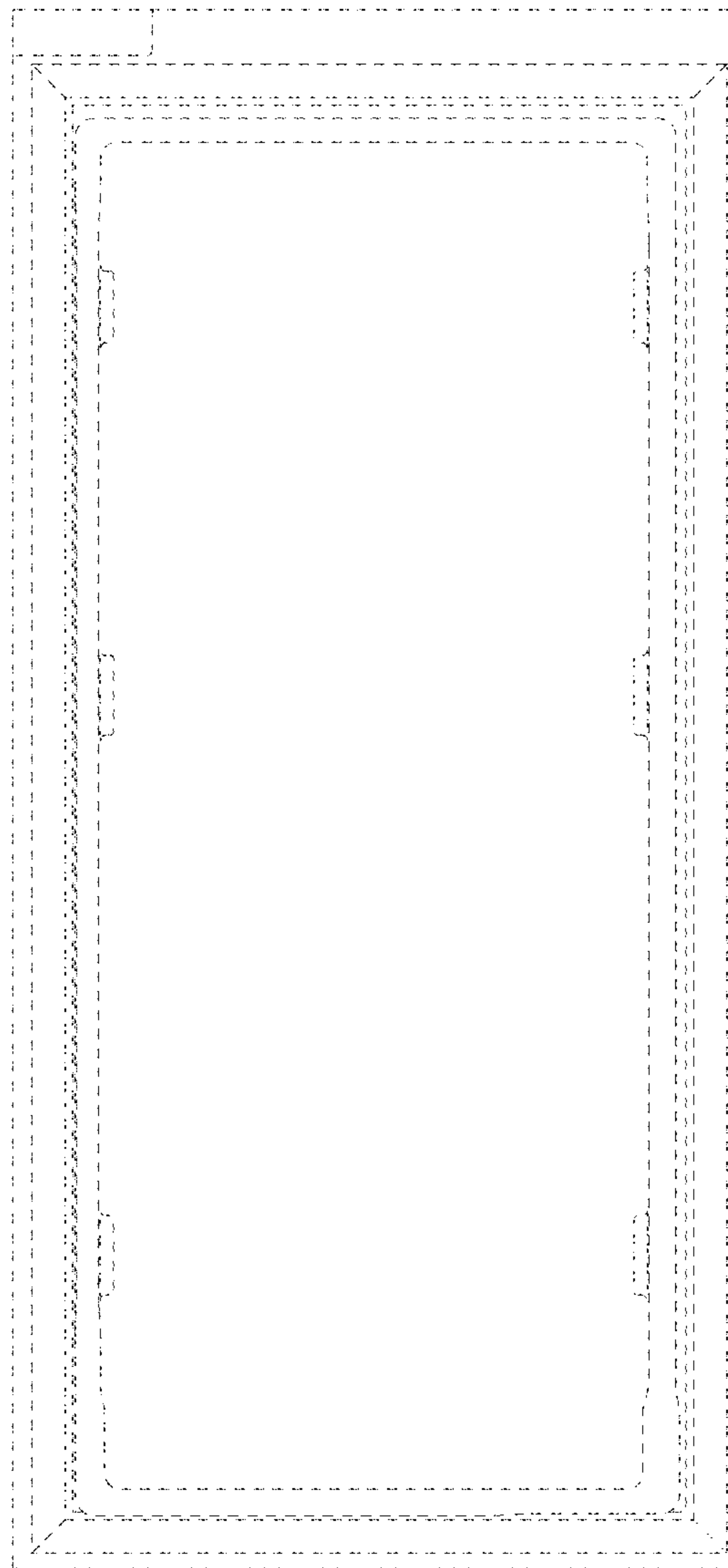


FIG. 32

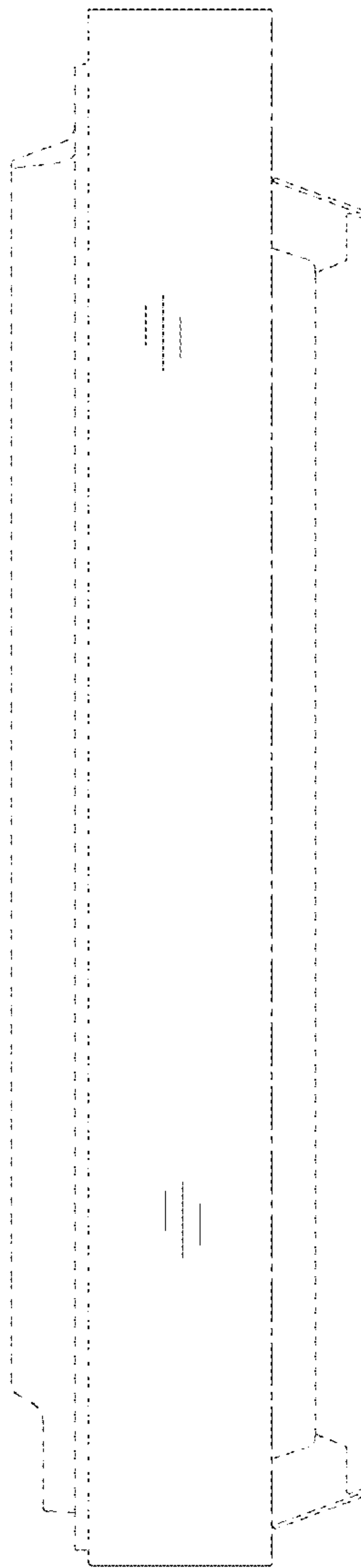


FIG. 33

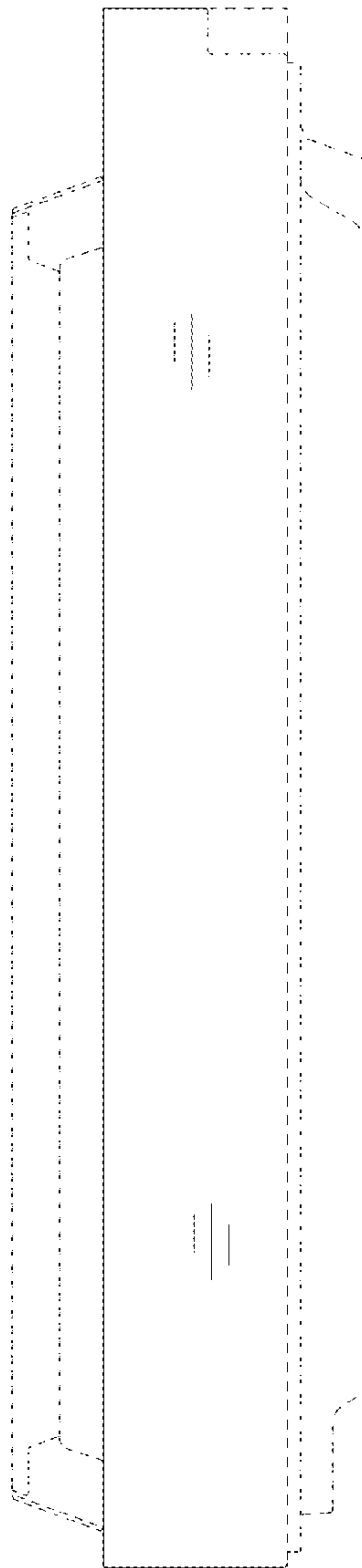


FIG. 34

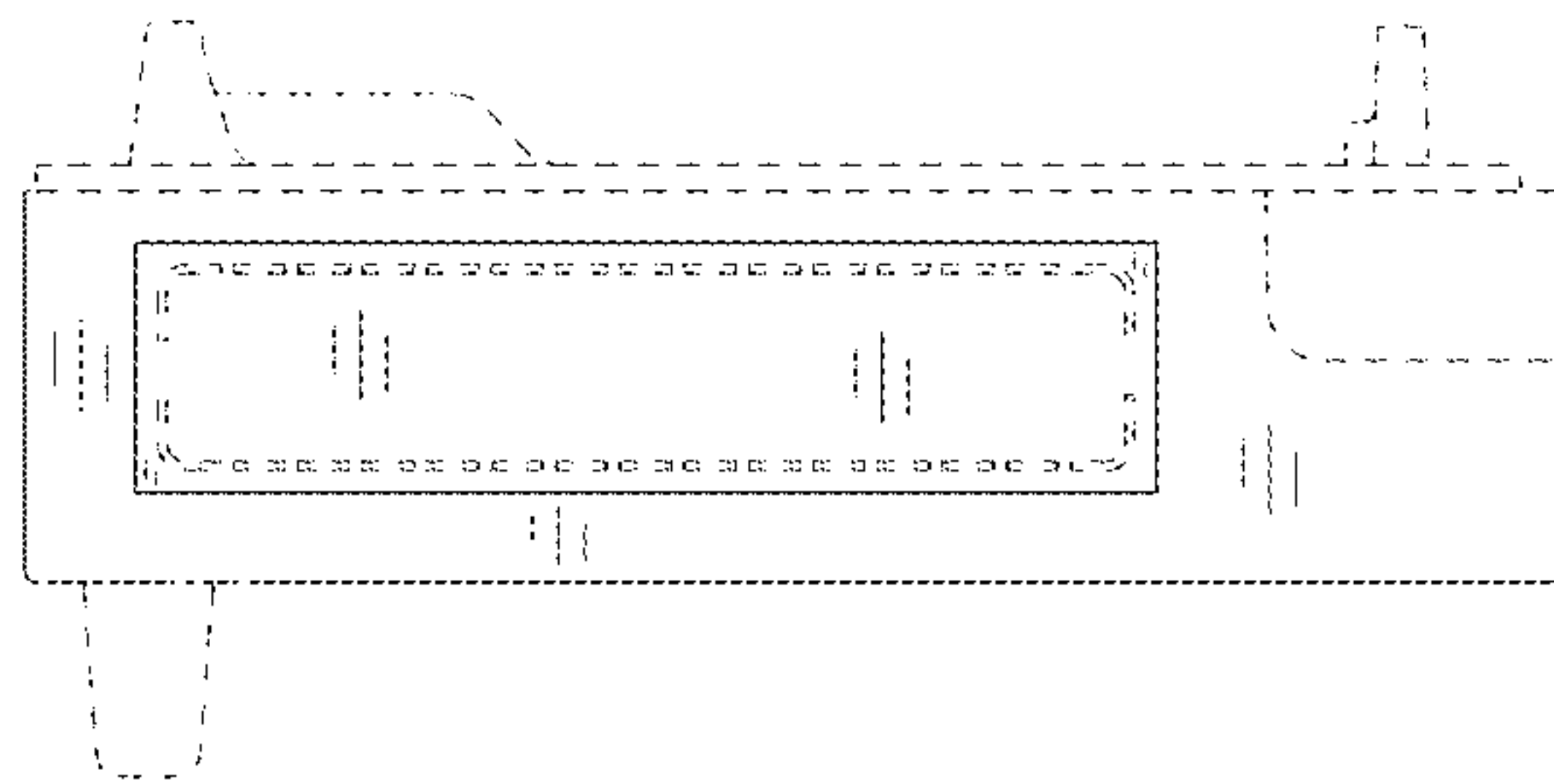


FIG. 35

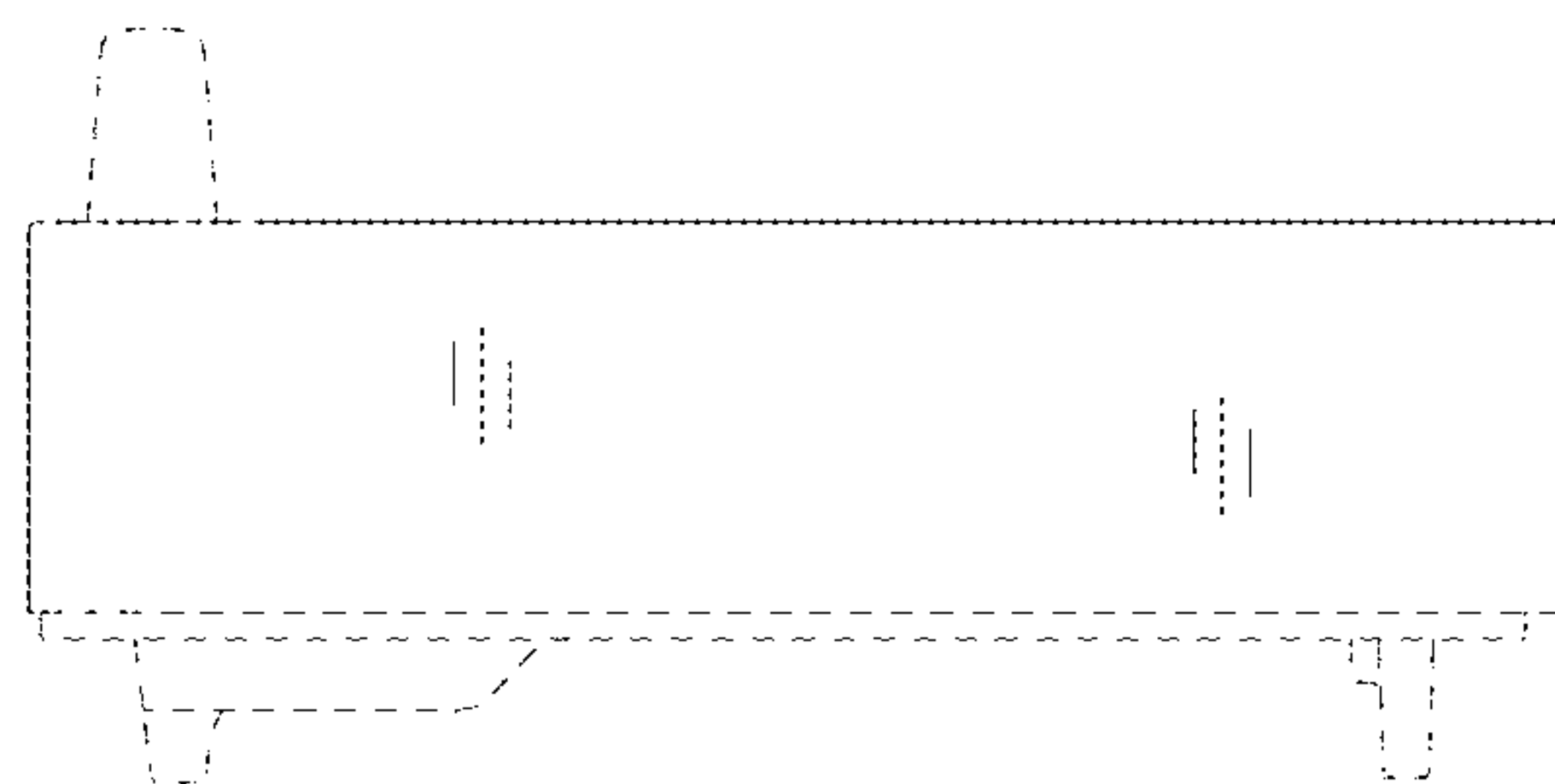


FIG. 36

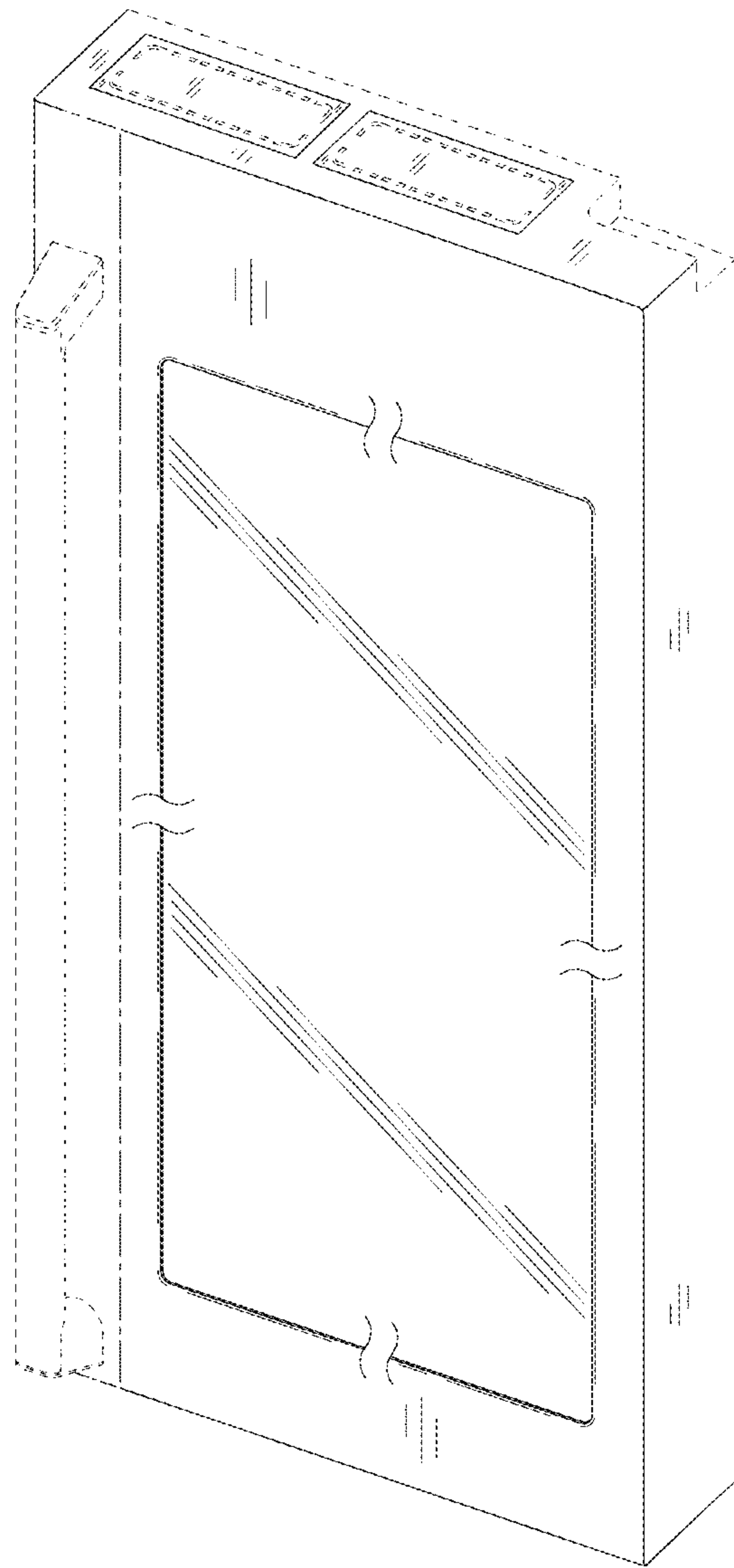


FIG. 37

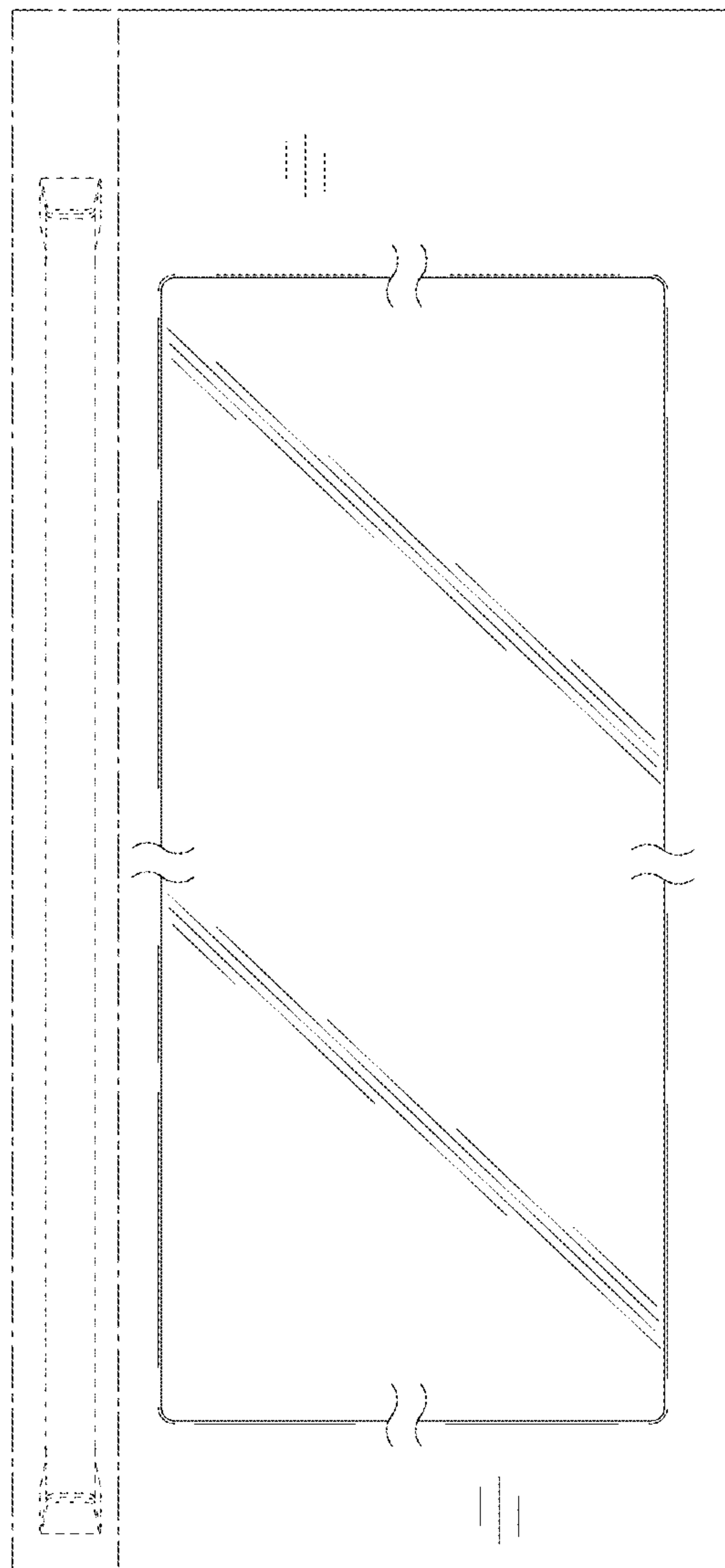


FIG. 38

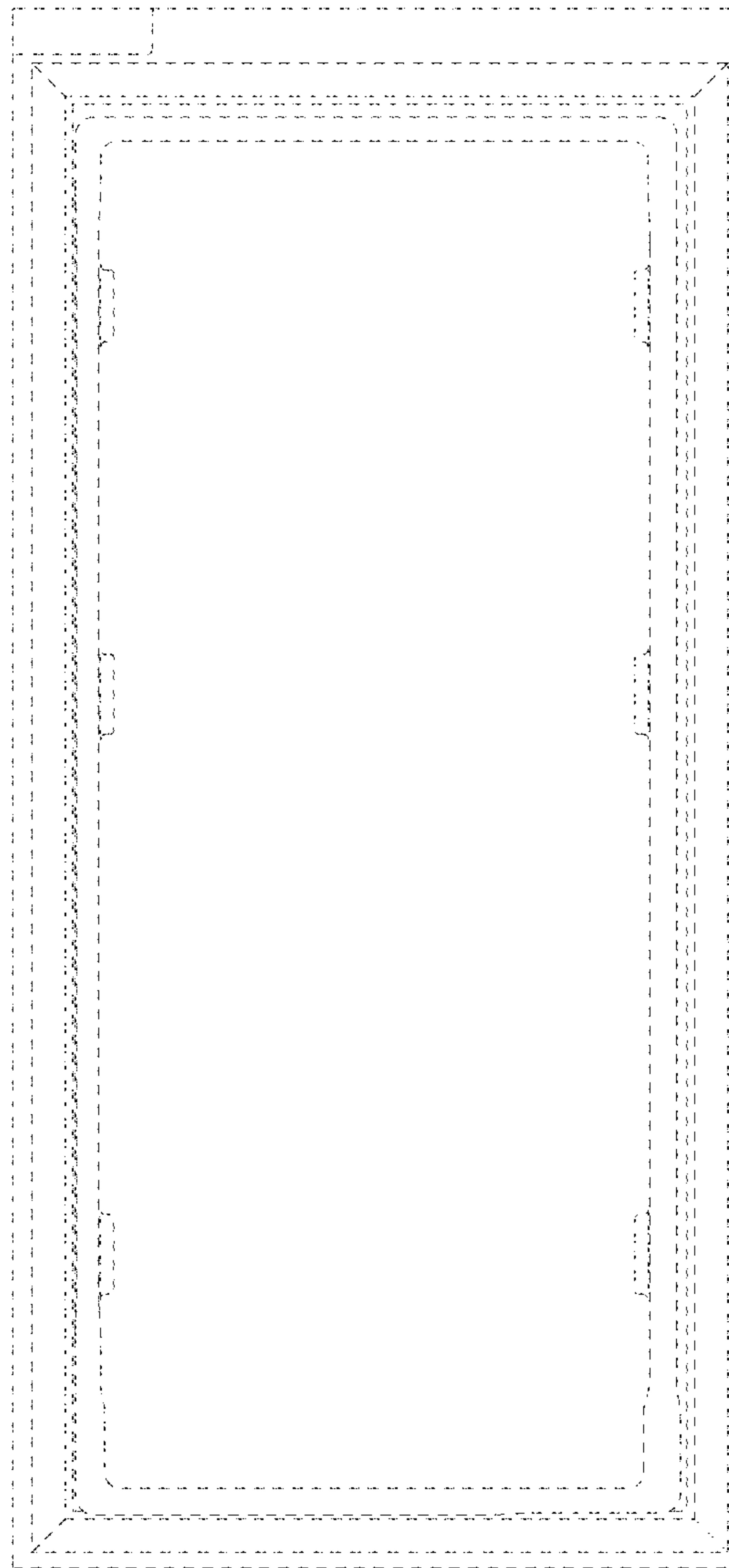


FIG. 39

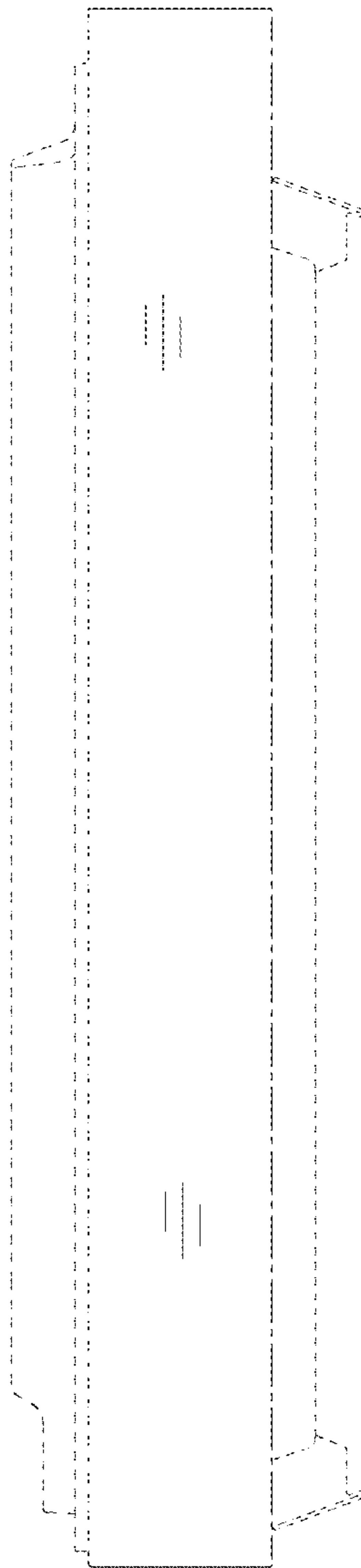


FIG. 40

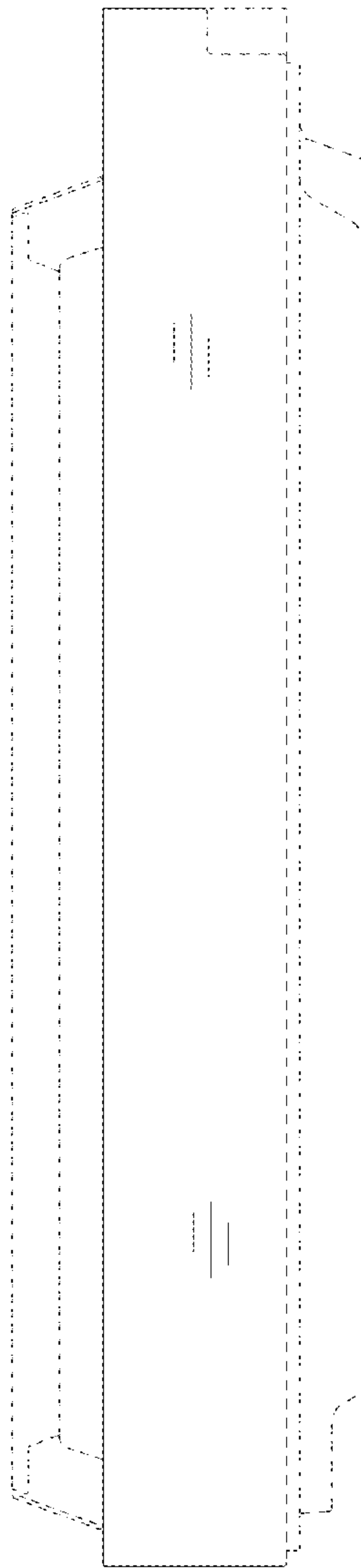


FIG. 41

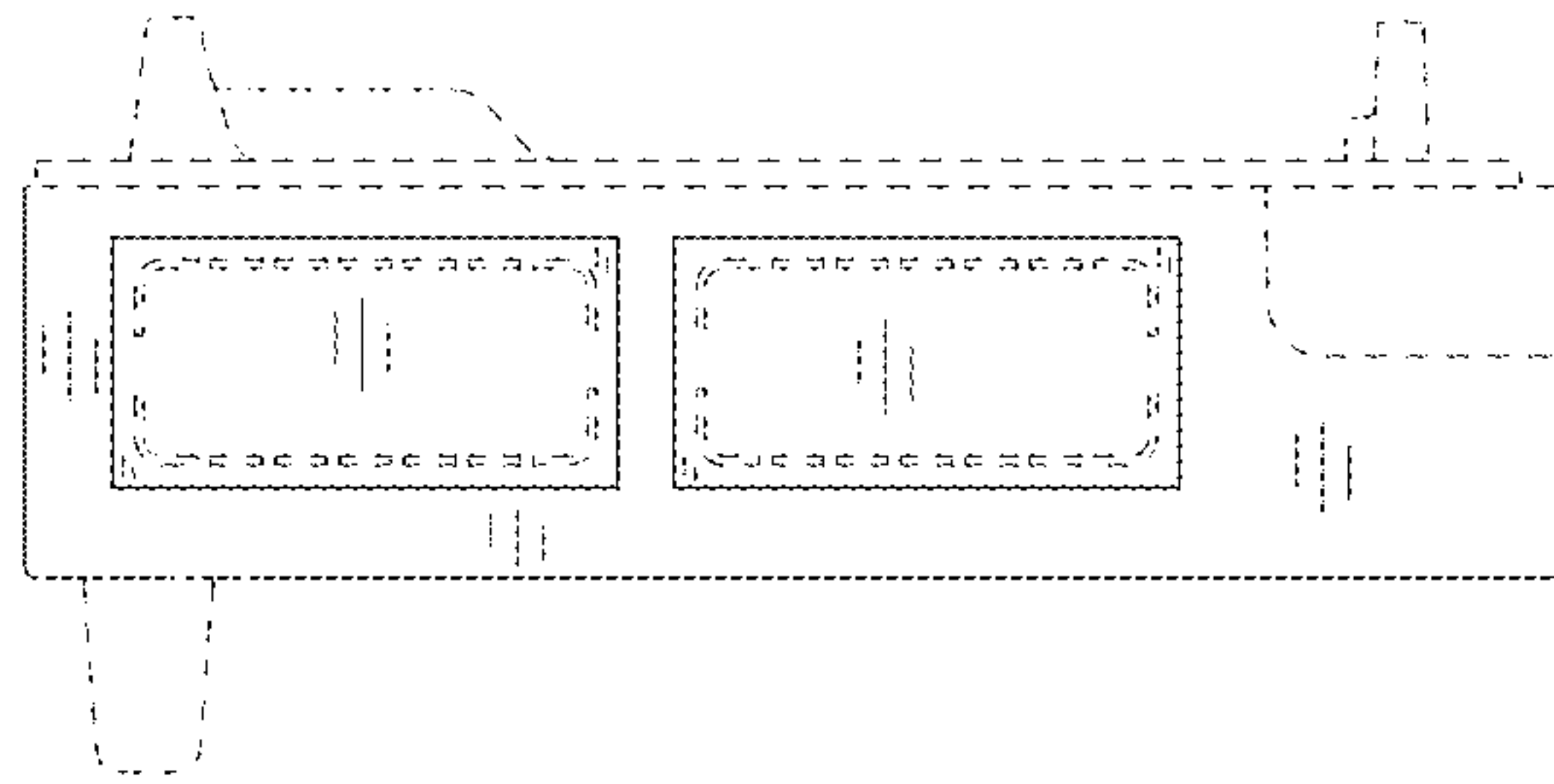


FIG. 42

