



US00D870162S

(12) **United States Design Patent** (10) **Patent No.:** **US D870,162 S**
Cox (45) **Date of Patent:** **** Dec. 17, 2019**

(54) **LINE COOLER**

(71) Applicant: **Jerry Roger Cox**, Winston Salem, NC (US)

(72) Inventor: **Jerry Roger Cox**, Winston Salem, NC (US)

(**) Term: **15 Years**

(21) Appl. No.: **29/647,177**

(22) Filed: **May 10, 2018**

(51) **LOC (12) Cl.** **15-07**

(52) **U.S. Cl.**
USPC **D15/90**

(58) **Field of Classification Search**
USPC D15/79-91
CPC F25B 21/02; F25B 2600/2513; F25B 2700/1933; F25B 2700/21151; F25B 49/02; F25B 2321/0252; F25B 2341/065; F25B 2345/003; F25B 2400/075; F25B 2400/19; F25B 2500/19; F25B 2500/24; F25B 2500/26; F25B 2600/23; F25B 2600/2523; F25B 2700/15; F25B 2700/21163; F25B 2700/2117; F25B 41/04; F25B 41/062; F25B 45/00; F25B 49/022

See application file for complete search history.

(56) **References Cited**

U.S. PATENT DOCUMENTS

D351,532 S * 10/1994 Wolfenden D15/90
D367,068 S * 2/1996 Green D15/90
D700,637 S * 3/2014 Maggioni D15/90

D706,842 S * 6/2014 Maggioni D15/90
D755,262 S * 5/2016 Kyle D15/90
D762,747 S * 8/2016 Glass D15/90
D781,356 S * 3/2017 Iungerich D15/90
D783,062 S * 4/2017 Seiders D15/90
D795,313 S * 8/2017 Seiders D15/90
D797,165 S * 9/2017 Seiders D15/90
D797,166 S * 9/2017 Seiders D15/90
D797,821 S * 9/2017 Seiders D15/90

* cited by examiner

Primary Examiner — Khawaja Anwar

(74) *Attorney, Agent, or Firm* — Tuggle Duggins P.A.; Blake P. Hurt

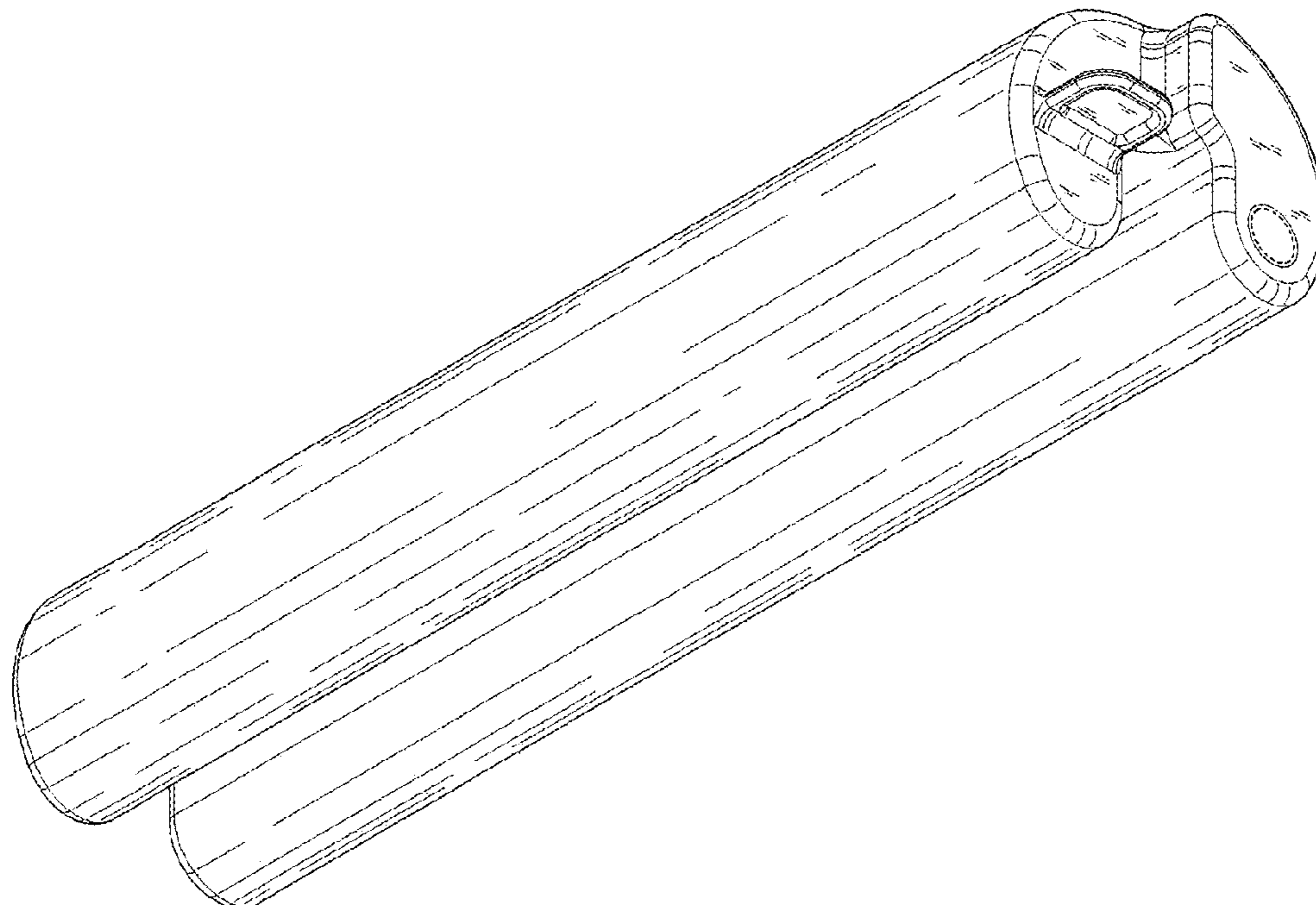
(57) **CLAIM**

The ornamental design for a line cooler, as shown and described.

DESCRIPTION

FIG. 1 is a front, bottom, left side perspective view of a line cooler showing my new design;
FIG. 2 is a front elevational view thereof;
FIG. 3 is a rear elevational view thereof;
FIG. 4 is a top plan view thereof;
FIG. 5 is a bottom plan view thereof;
FIG. 6 is a left side elevational view thereof;
FIG. 7 is a right side elevational view thereof;
FIG. 8 is a front, top, left side perspective view thereof;
FIG. 9 is a front, top, right side perspective view thereof;
and,
FIG. 10 is a front, bottom, right side perspective view thereof.
The broken lines illustrate portions of the line cooler that form no part of the claimed design.

1 Claim, 6 Drawing Sheets



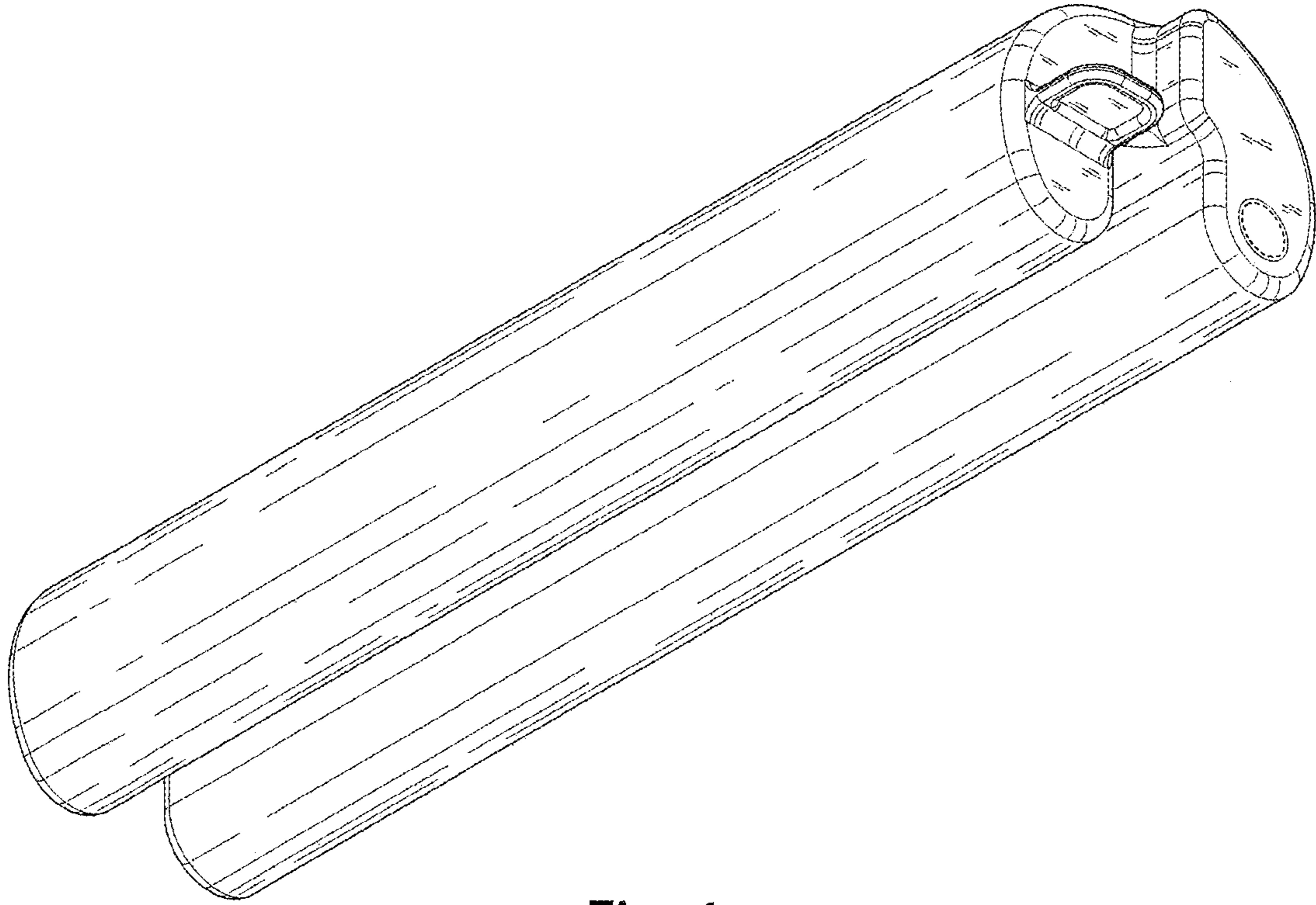


Fig. 1

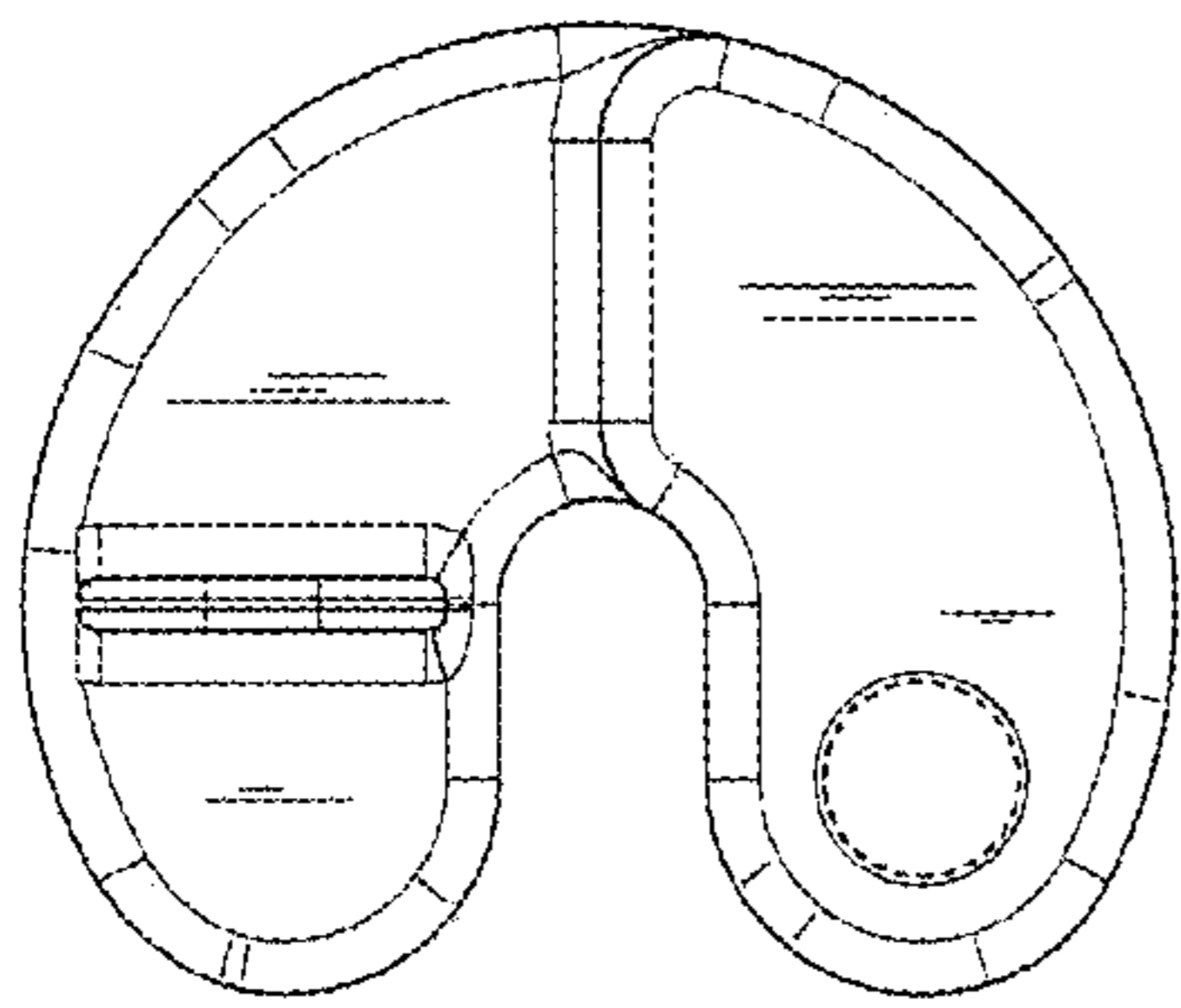


Fig. 2

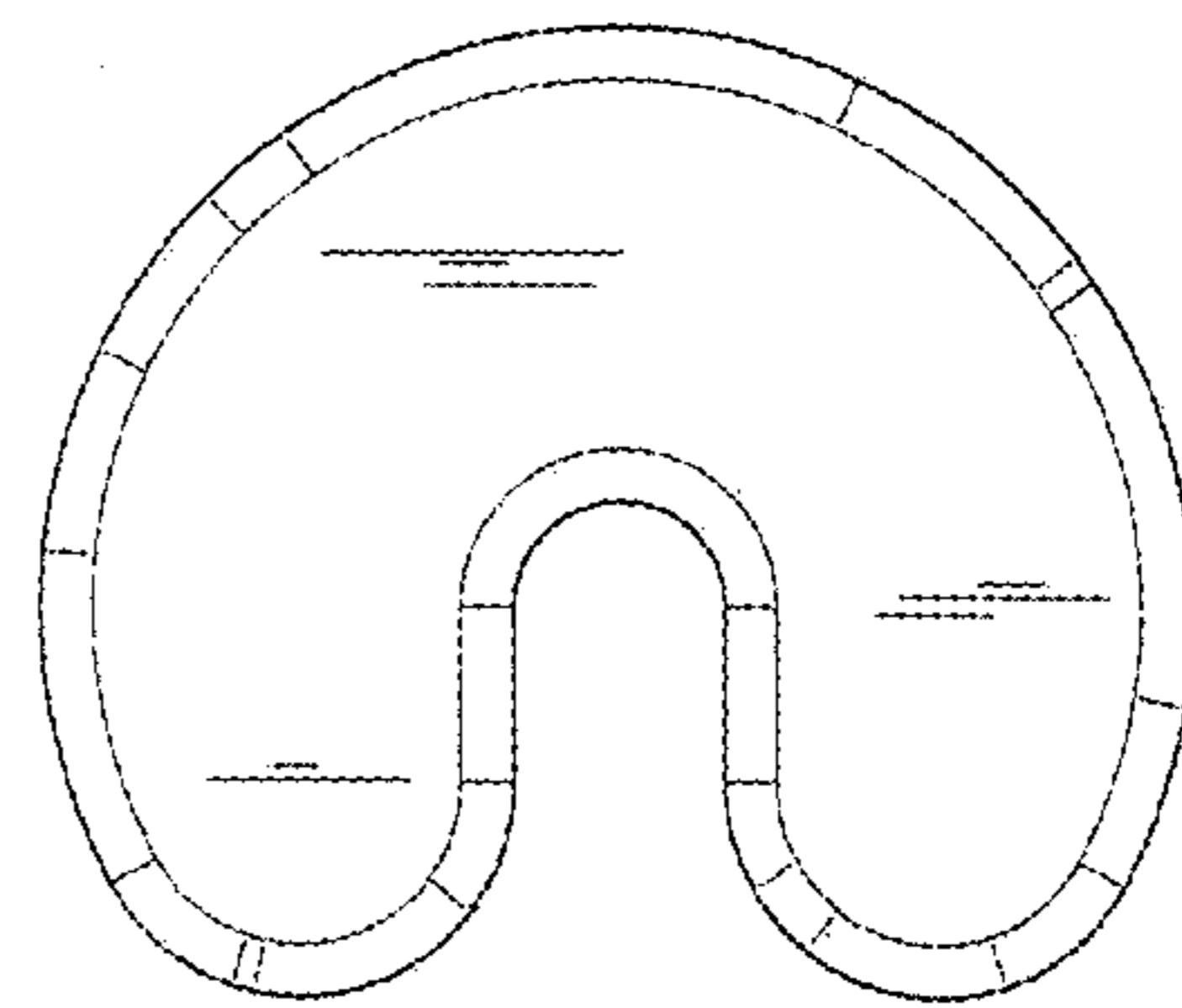


Fig. 3

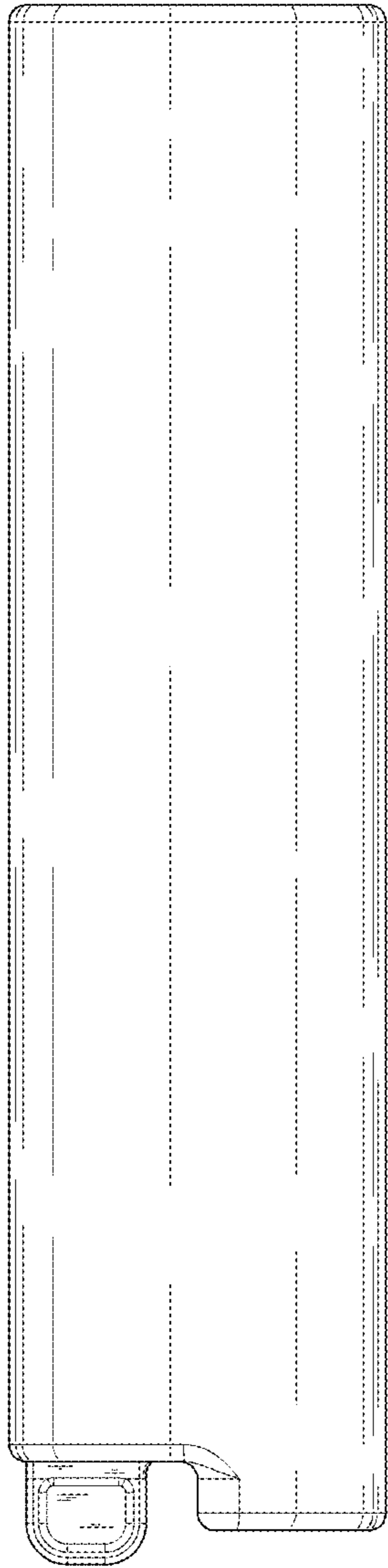


Fig. 4

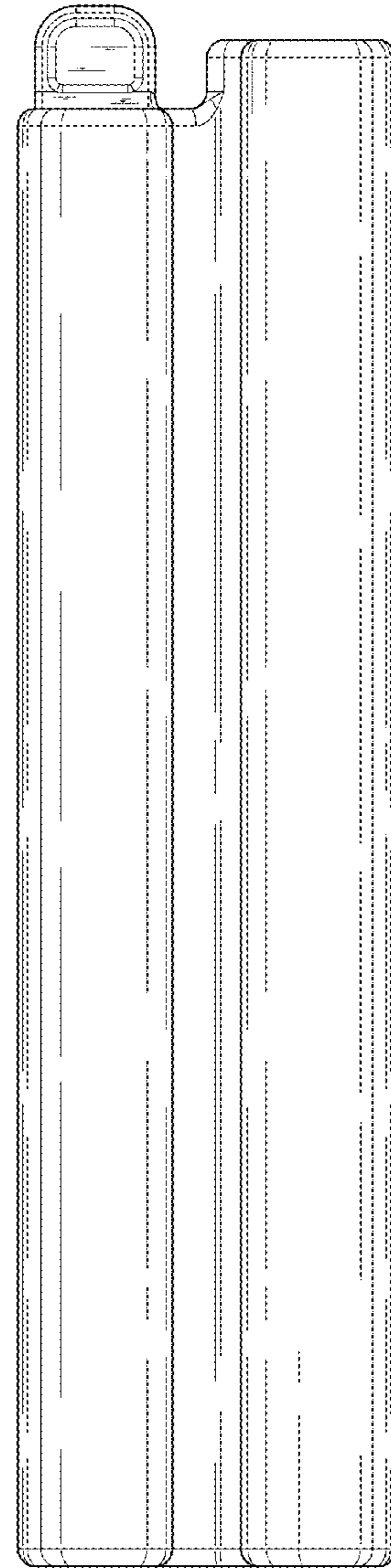


Fig. 5

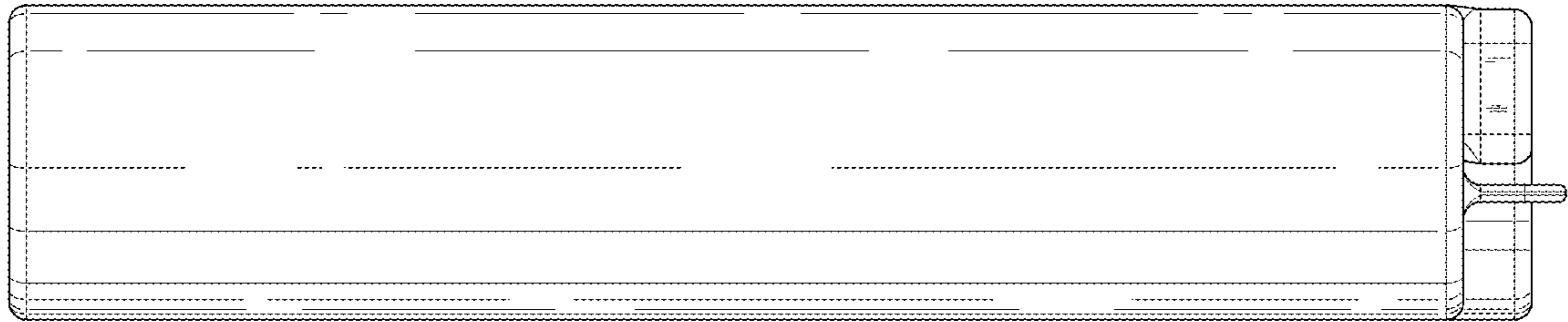


Fig. 6

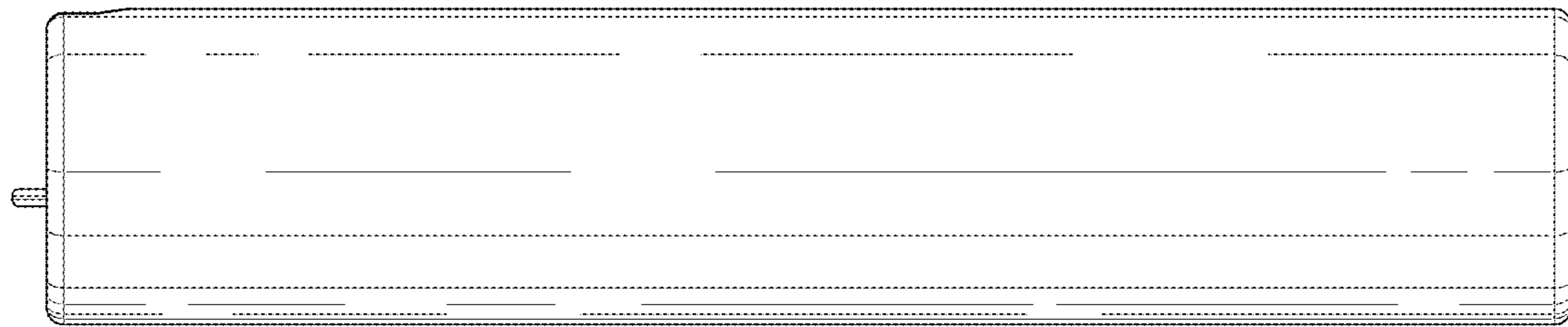


Fig. 7

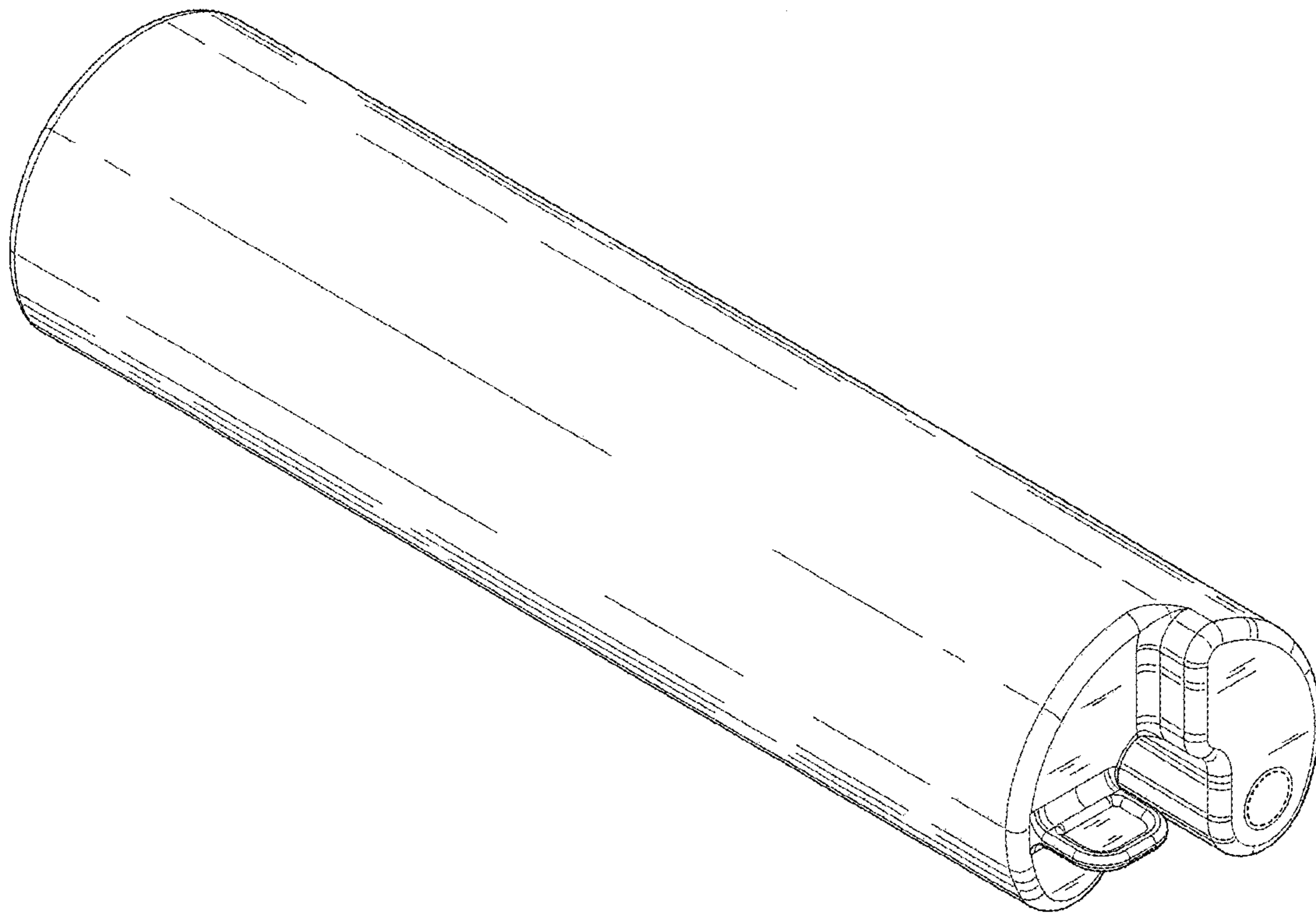


Fig. 8

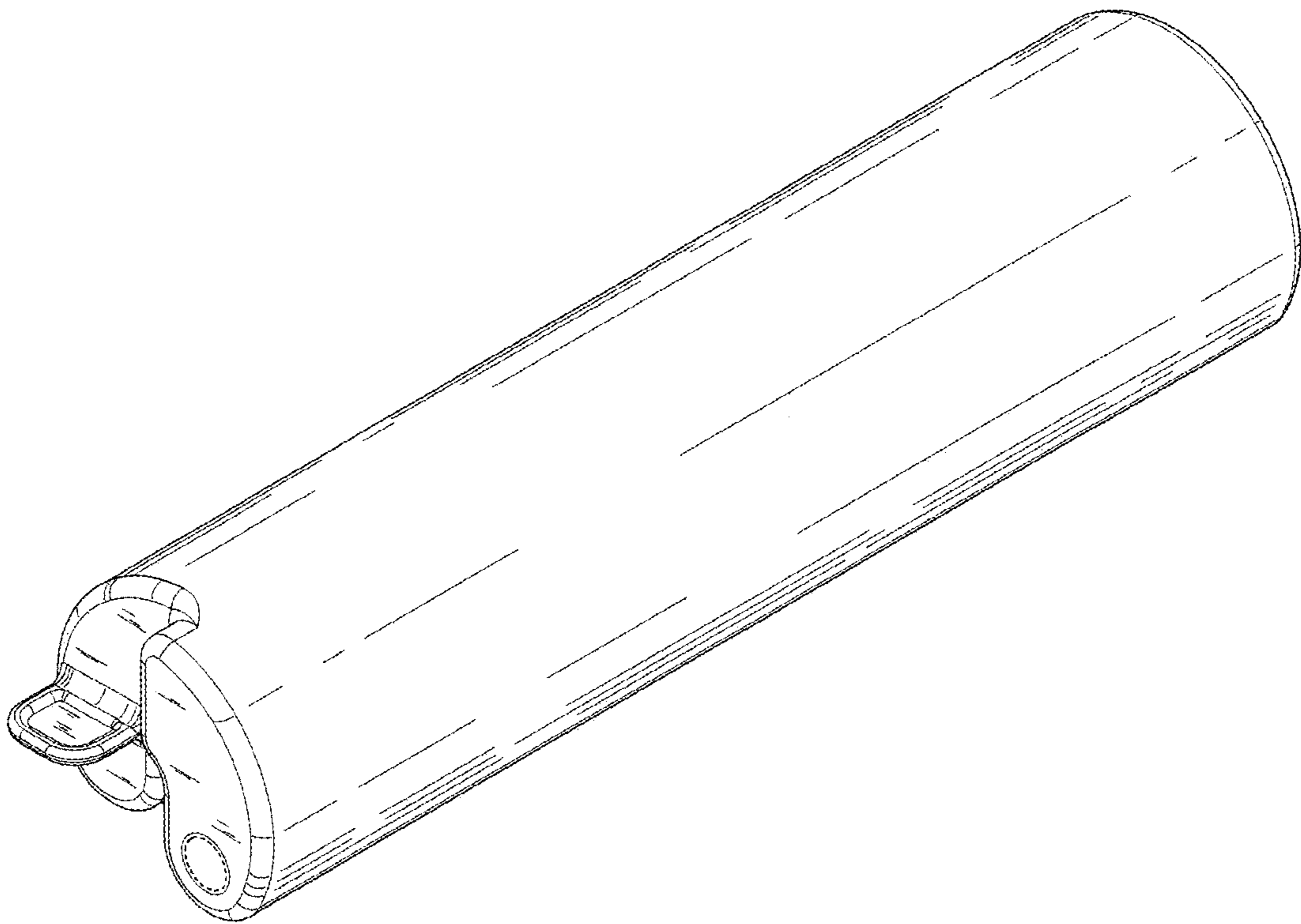


Fig. 9

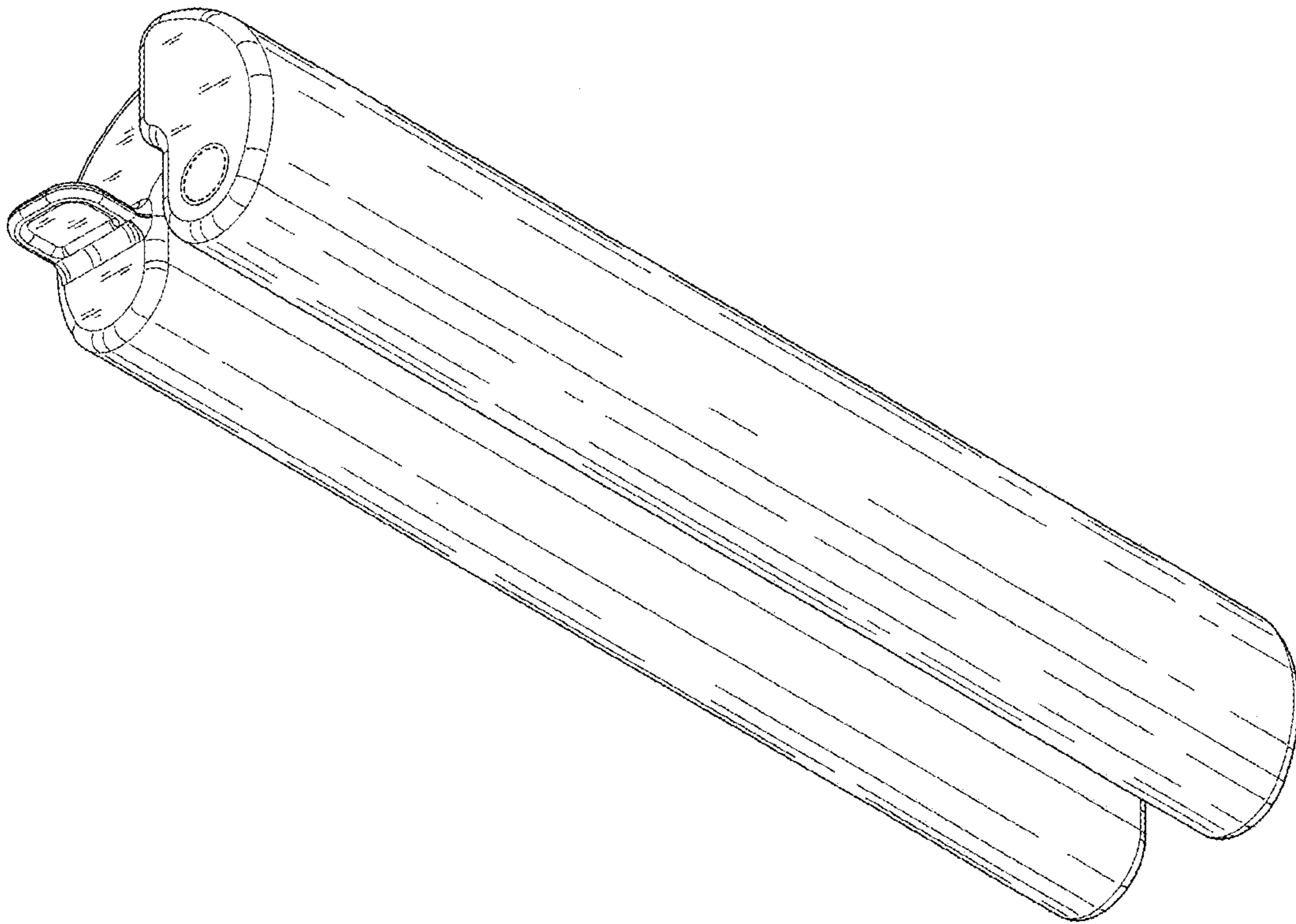


Fig. 10