



US00D870160S

(12) **United States Design Patent** (10) **Patent No.:** **US D870,160 S**
Yamamoto et al. (45) **Date of Patent:** **** *Dec. 17, 2019**

(54) **BOBBIN WITH WOUND THREAD**
(71) Applicant: **Asahi Kasei Kabushiki Kaisha**, Tokyo (JP)
(72) Inventors: **Haruhiko Yamamoto**, Tokyo (JP); **Yoko Misaki**, Tokyo (JP)
(73) Assignee: **Asahi Kasei Kabushiki Kaisha**, Tokyo (JP)

2,222,921 A * 11/1940 Den Bergh B65H 59/22
242/137.1
3,672,598 A * 6/1972 Saveth B65H 75/18
242/118.2
3,680,302 A * 8/1972 Hess D02G 1/02
57/288
3,963,882 A * 6/1976 Lewis H01F 5/02
29/605
D242,745 S * 12/1976 Langston, Jr. D15/78
(Continued)

(*) Notice: This patent is subject to a terminal disclaimer.

(**) Term: **15 Years**

(21) Appl. No.: **29/635,439**

(22) Filed: **Jan. 31, 2018**

(30) **Foreign Application Priority Data**

Aug. 3, 2017 (WO) DM/098158

(51) **LOC (12) Cl.** **15-06**

(52) **U.S. Cl.**
USPC **D15/78**

(58) **Field of Classification Search**

USPC D15/66-78; D8/354-360.1; D3/20-26
CPC D02H 1/00; B65H 49/00; B65H 49/38;
B65H 54/02; B65H 55/04; B65H 54/343;
B65H 54/38; D02G 1/00

See application file for complete search history.

(56) **References Cited**

U.S. PATENT DOCUMENTS

259,866 A * 6/1882 Jones A47F 13/04
242/129.2
629,018 A * 7/1899 Streeter 242/141
D32,475 S * 4/1900 Thompson D8/360.1
1,981,388 A * 11/1934 Perry A47F 13/045
225/80
1,984,571 A * 12/1934 Epps B65H 49/06
242/129.8

OTHER PUBLICATIONS

Office Action issued in related U.S. Appl. No. 29/635,425 dated Feb. 20, 2019.

Primary Examiner — Mitchell I. Siegel
(74) *Attorney, Agent, or Firm* — Morgan, Lewis & Bockius LLP

(57) **CLAIM**

The ornamental design for a bobbin with wound thread, as shown and described.

DESCRIPTION

FIG. 1 is a perspective view of a bobbin with wound thread showing our new design;

FIG. 2 is an enlarged fragmented view taken from box 2 on FIG. 3.

FIG. 3 is a front elevational view thereof;

FIG. 4 is a top plan view thereof;

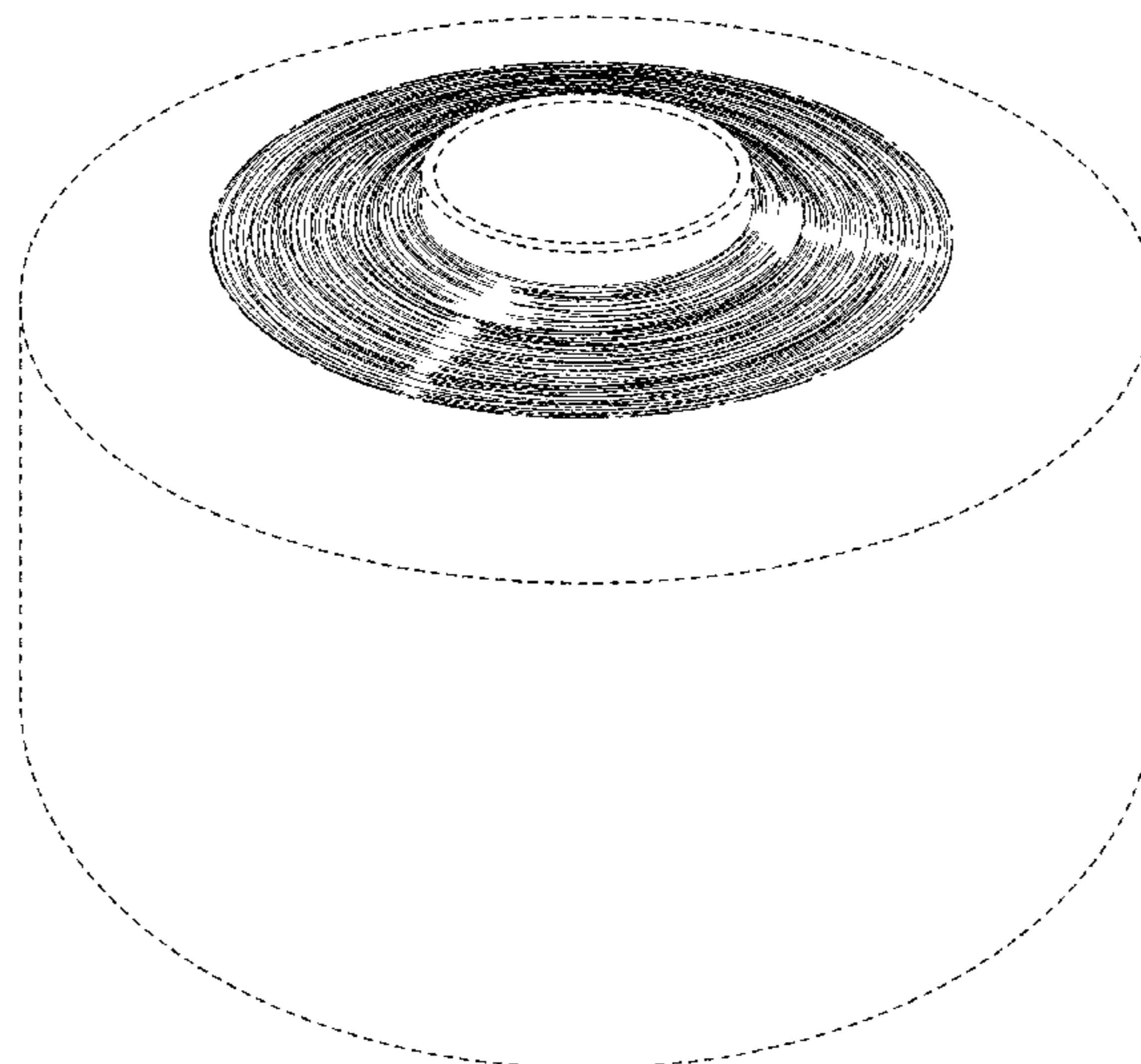
FIG. 5 is a left side elevational view thereof;

FIG. 6 is a rear elevational thereof; and,

FIG. 7 is a bottom plan view thereof.

The broken lines shown are included for the purpose of illustrating unclaimed subject matter and forms no part of the claimed design. The dash-dot lines are included as boundary lines and form no part of the claimed design. The dash-dot-dot lines of FIG. 3 are included to show and enlarged area and form no part of the claimed design.

1 Claim, 5 Drawing Sheets



(56)

References Cited

U.S. PATENT DOCUMENTS

4,058,264 A * 11/1977 Kawashima B65H 54/34
 242/165
 D250,338 S * 11/1978 LaPierre D15/78
 4,163,357 A * 8/1979 Greive D02G 3/285
 242/131.1
 4,180,967 A * 1/1980 Greive B65H 49/12
 57/276
 4,227,884 A * 10/1980 Primm B65H 55/04
 242/485.9
 4,392,340 A * 7/1983 Horstmann D01H 13/16
 57/264
 4,516,394 A * 5/1985 Bell B65H 55/00
 242/175
 4,569,191 A * 2/1986 Gaudino D01H 9/14
 57/273
 4,598,540 A * 7/1986 Gaudino D01H 9/16
 242/473.9
 4,666,094 A * 5/1987 Rockerath B65H 54/64
 156/170
 D292,643 S * 11/1987 Dick D15/78
 5,531,392 A * 7/1996 Weiner B65H 57/12
 112/163
 5,613,643 A * 3/1997 Weiner B65H 57/12
 112/163
 D441,772 S * 5/2001 Polzer D15/138
 7,438,010 B2 * 10/2008 Lyman B65H 49/08
 112/302
 D649,564 S * 11/2011 Nishi D15/72
 D741,378 S * 10/2015 Yokoyama D15/72
 9,416,466 B1 * 8/2016 Weiner D02H 1/00
 9,887,025 B2 * 2/2018 Driscoll H01B 13/0278
 D818,009 S * 5/2018 Shen D15/78
 10,041,208 B1 * 8/2018 Batekhin D06Q 1/04

* cited by examiner

FIG. 1

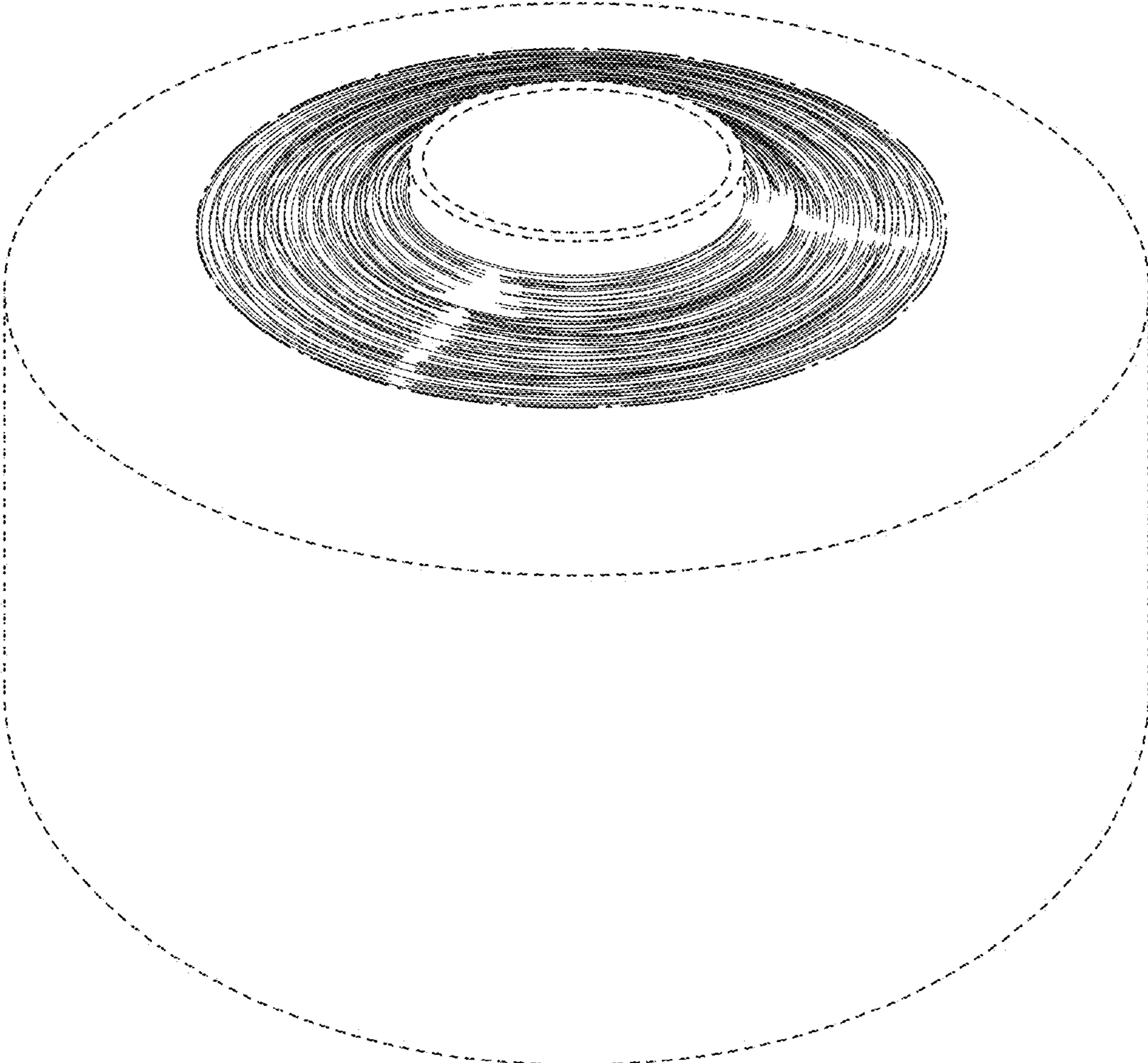


FIG. 2

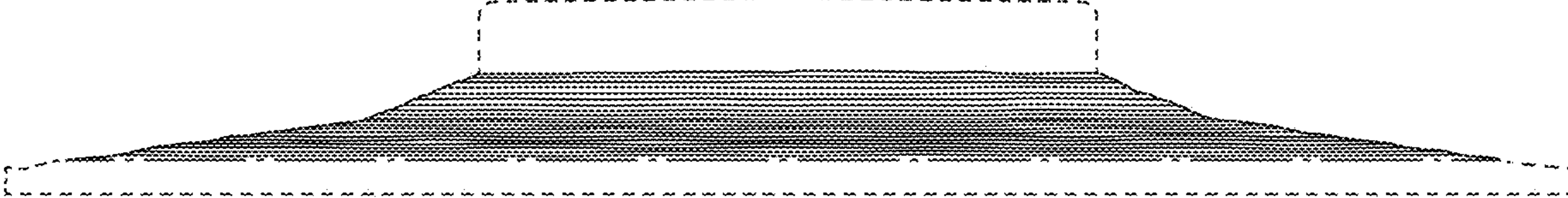


FIG. 3

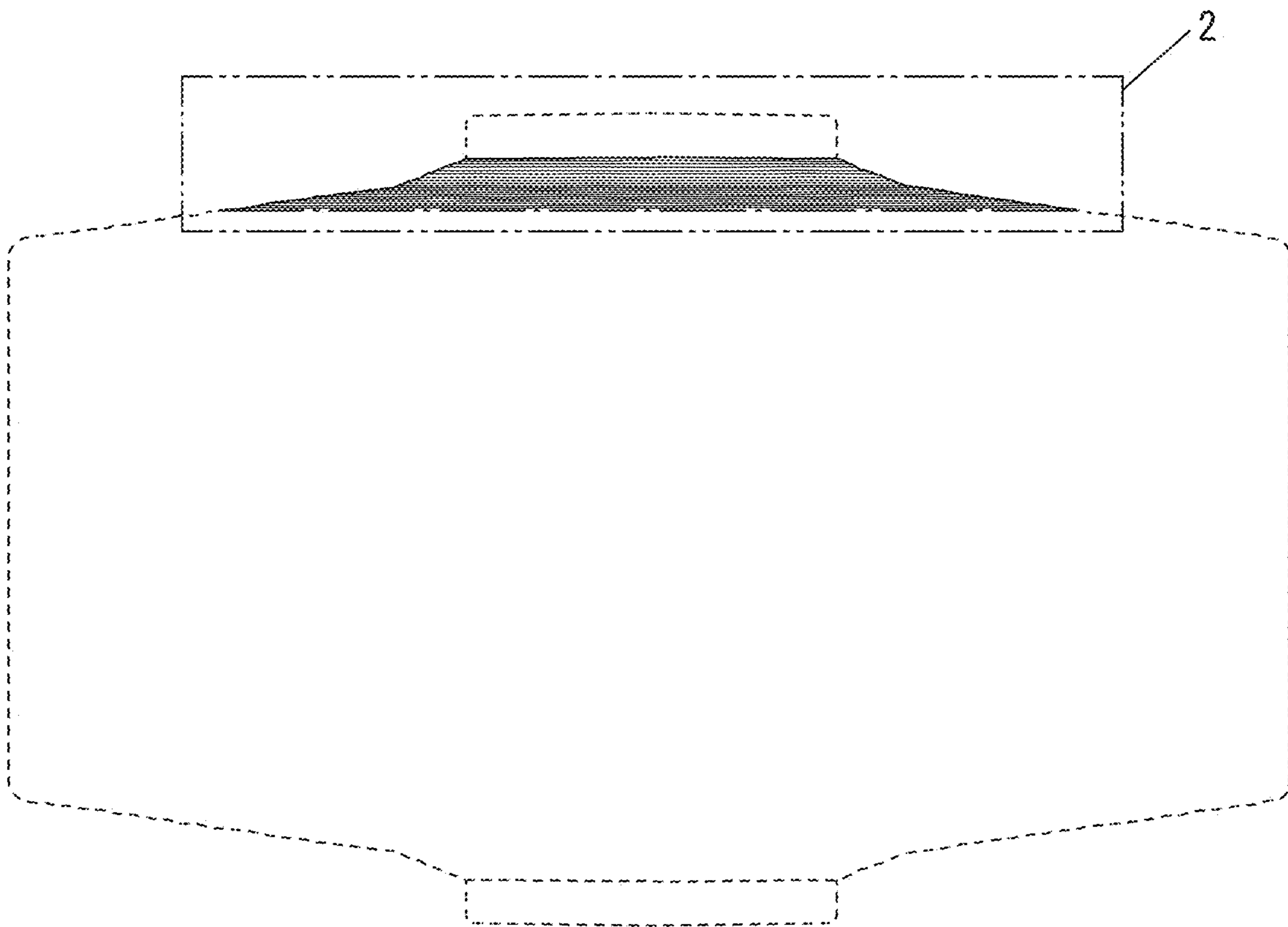


FIG. 4

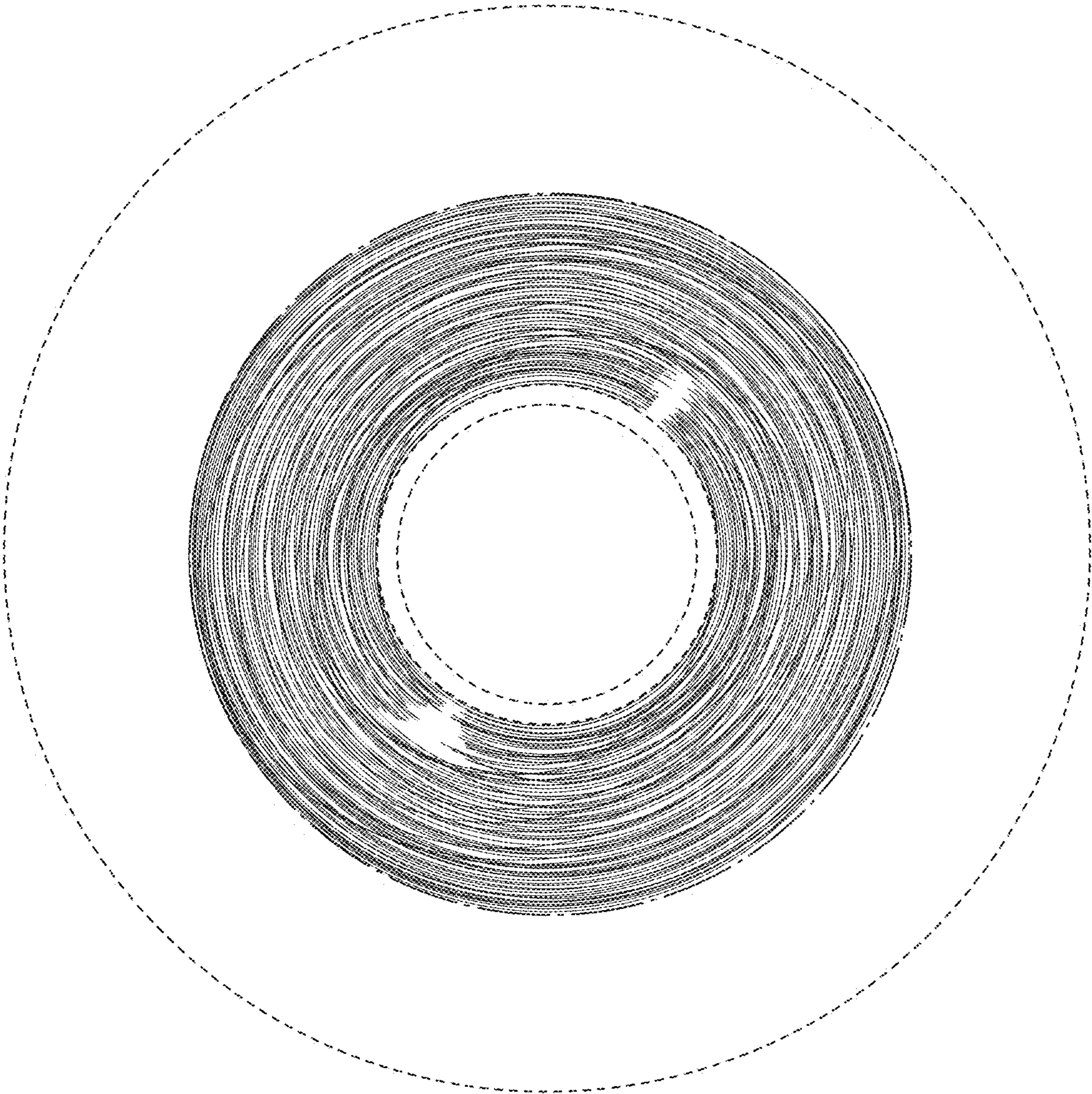


FIG. 5

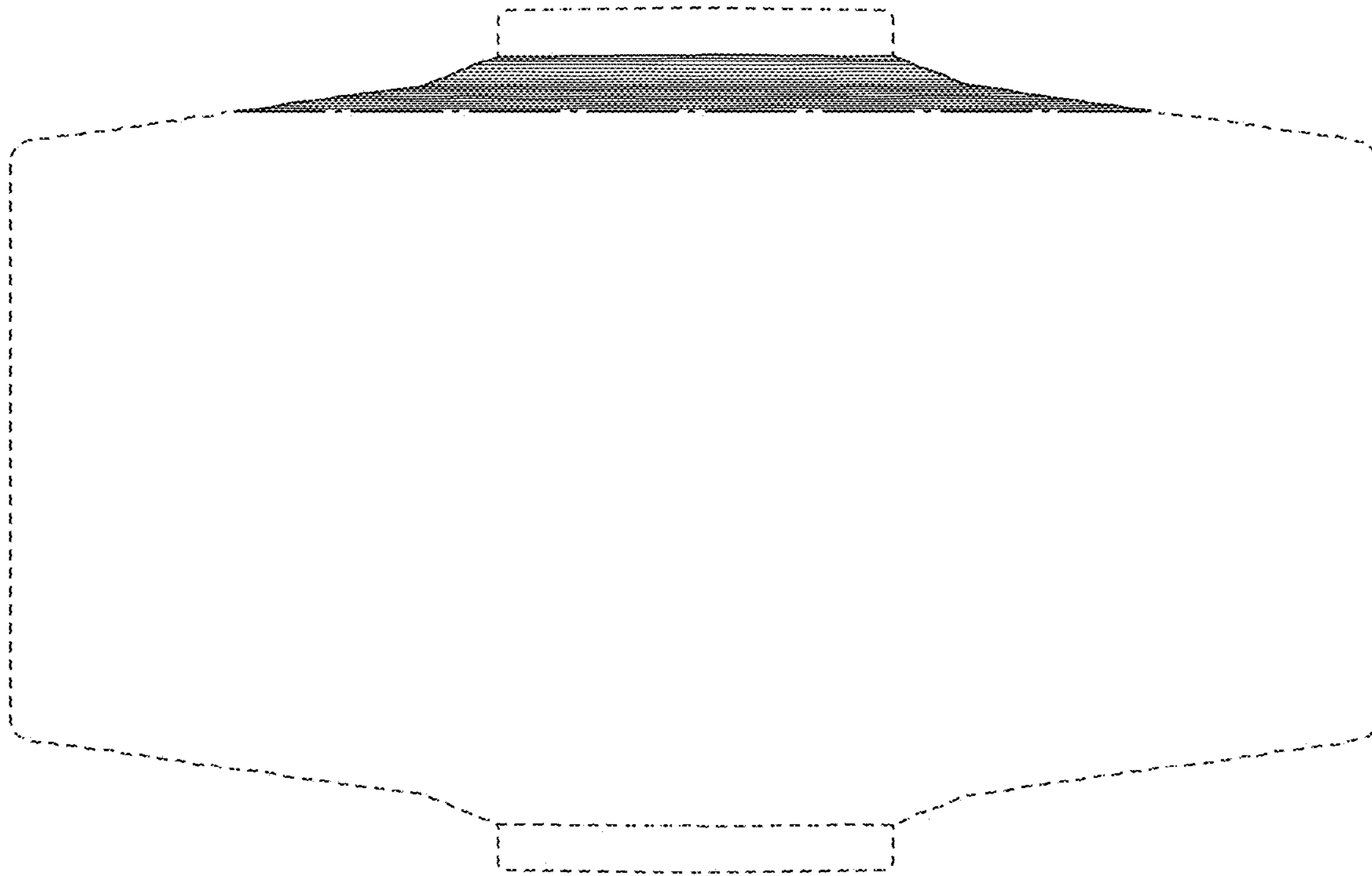


FIG. 6

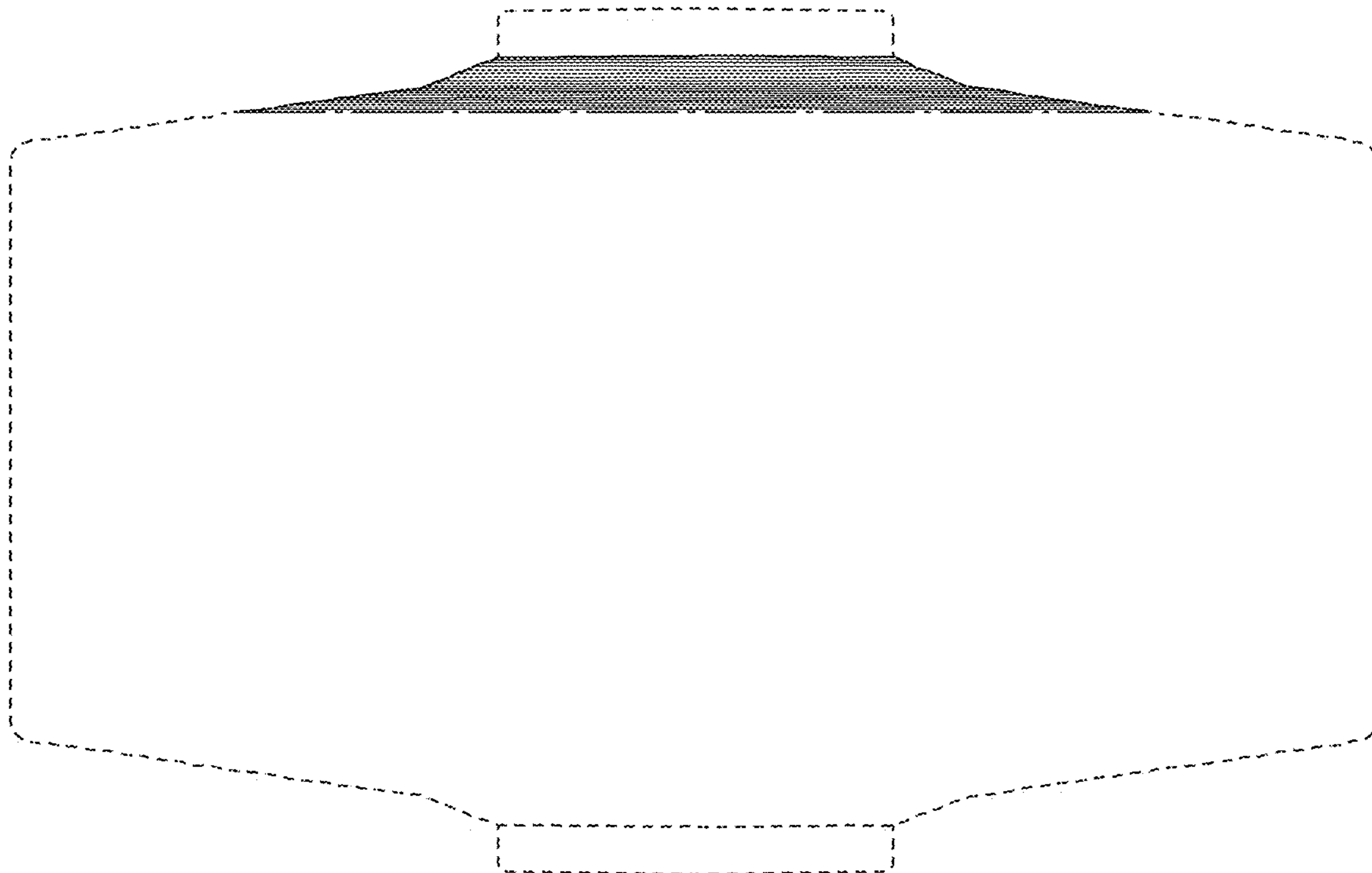


FIG. 7

