



US00D870159S

(12) **United States Design Patent** (10) **Patent No.:** **US D870,159 S**
Jilbert et al. (45) **Date of Patent:** **** Dec. 17, 2019**

(54) **EXCAVATOR**
(71) Applicant: **J.C. BAMFORD EXCAVATORS LIMITED**, Uttoxeter (GB)
(72) Inventors: **Samuel John Jilbert**, Uttoxeter (GB); **Stewart Dicks**, Uttoxeter (GB); **Alexander North**, Uttoxeter (GB)
(73) Assignee: **J.C. BAMFORD EXCAVATORS LIMITED**, Uttoxeter (GB)
(**) Term: **15 Years**
(21) Appl. No.: **29/662,659**
(22) Filed: **Sep. 7, 2018**
(30) **Foreign Application Priority Data**
Mar. 13, 2018 (EM) 004754265
(51) **LOC (12) Cl.** **12-09**
(52) **U.S. Cl.**
USPC **D15/22; D15/25**
(58) **Field of Classification Search**
USPC D15/10, 22-26, 28, 30; 180/89.1, 89.12, 180/89.13, 900, 9.1, 9.2, 9.62; 37/379; 414/694, 699, 722-724, 660, 685, 698, 414/719, 743
CPC E02F 3/32; E02F 3/76; E02F 3/40; E02F 9/163
See application file for complete search history.

(56) **References Cited**
U.S. PATENT DOCUMENTS
D272,071 S * 1/1984 Baconet D15/30
D348,270 S * 6/1994 Lehmann-Brendel D15/10
D391,272 S * 2/1998 Jin D15/24
D437,602 S * 2/2001 Hiraoka D15/25
D446,225 S * 8/2001 Brandenburg, III D15/30

D460,975 S * 7/2002 Yanagida D15/25
D462,974 S * 9/2002 Yanagida D15/25
D481,044 S * 10/2003 Tokach D15/30
D497,920 S * 11/2004 Antonetti D15/30
D534,552 S * 1/2007 Yanagida D15/25
D614,674 S * 4/2010 Hobenshield D15/30
D658,211 S * 4/2012 Hiraoka D15/25
D663,324 S * 7/2012 Fuchita D15/25
D663,751 S * 7/2012 Yogita D15/25
D677,703 S * 3/2013 Hiraoka D15/25
D678,354 S * 3/2013 Hiraoka D15/25
D682,322 S * 5/2013 Suzuki D15/25
D684,598 S * 6/2013 Hagura D15/24
D685,394 S * 7/2013 Nagata D15/24
D695,791 S * 12/2013 Hagura D15/25
D707,261 S * 6/2014 Caboret D15/24
8,820,457 B2 * 9/2014 Nishimura E02F 9/0858
180/89.13
D715,330 S * 10/2014 Hutchinson D15/22
D728,639 S * 5/2015 Payne D15/31
D749,150 S * 2/2016 Payne D15/31
D750,672 S * 3/2016 Payne D15/25

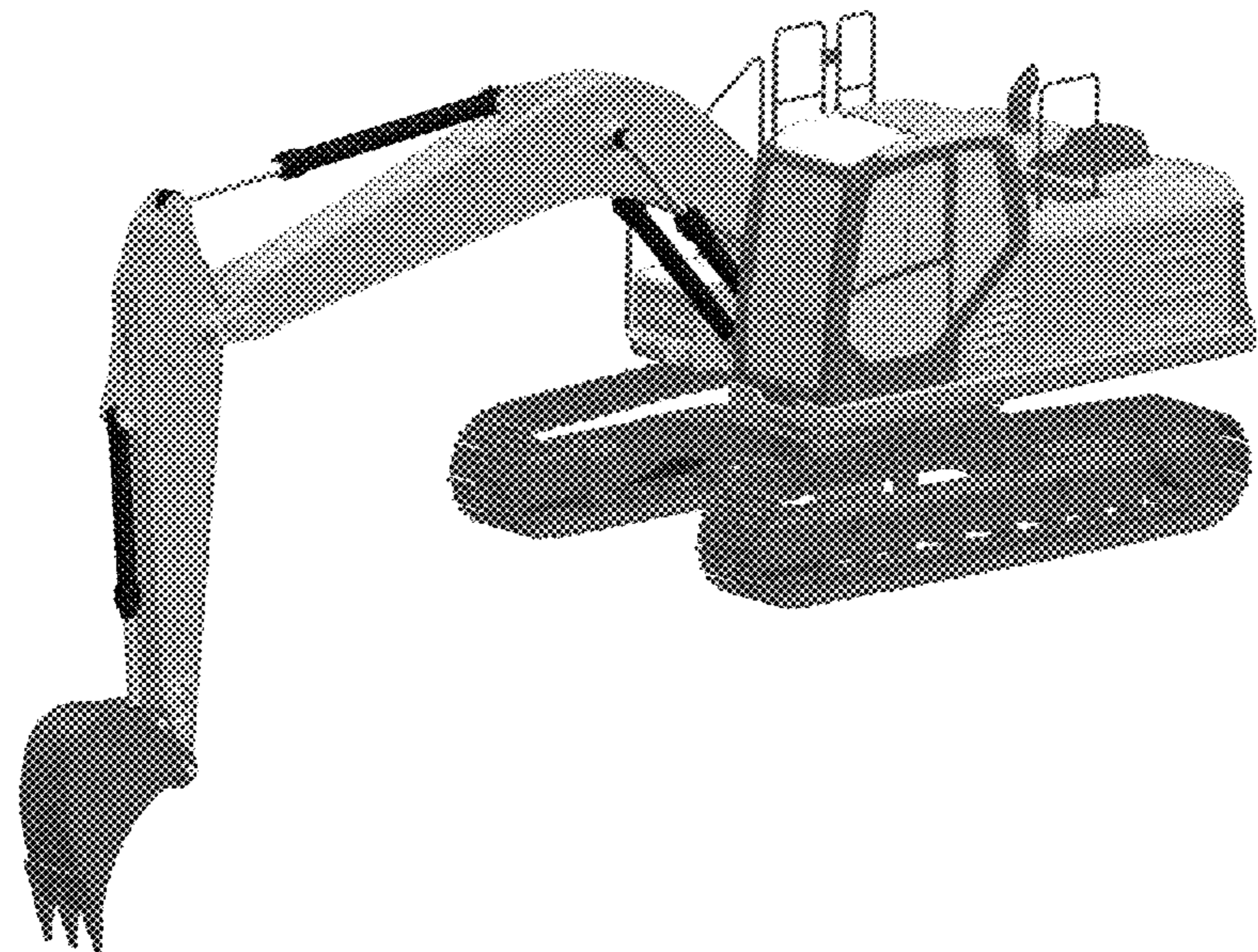
(Continued)

Primary Examiner — Mark A Goodwin
(74) *Attorney, Agent, or Firm* — Marshall, Gerstein & Borun LLP

(57) **CLAIM**
The ornamental design for an excavator, as shown.

DESCRIPTION
FIG. 1 is a front, right-side, and top view of an excavator, showing the new design.
FIG. 2 is a right-side elevation view of the excavator.
FIG. 3 is a top plan view of the excavator.
FIG. 4 is a front elevation view of the excavator.
FIG. 5 is a rear elevation view of the excavator.
FIG. 6 is a left-side elevation view of the excavator.
FIG. 7 is a bottom plan view of the excavator; and,
FIG. 8 is a rear, right-side, and top view of the excavator.

1 Claim, 8 Drawing Sheets



(56)

References Cited

U.S. PATENT DOCUMENTS

D759,127 S * 6/2016 Higuchi D15/24
D774,112 S * 12/2016 Fiser D15/30
10,167,610 B2 * 1/2019 Kurosaka E02F 9/00
D854,054 S * 7/2019 Hirasawa D15/22

* cited by examiner

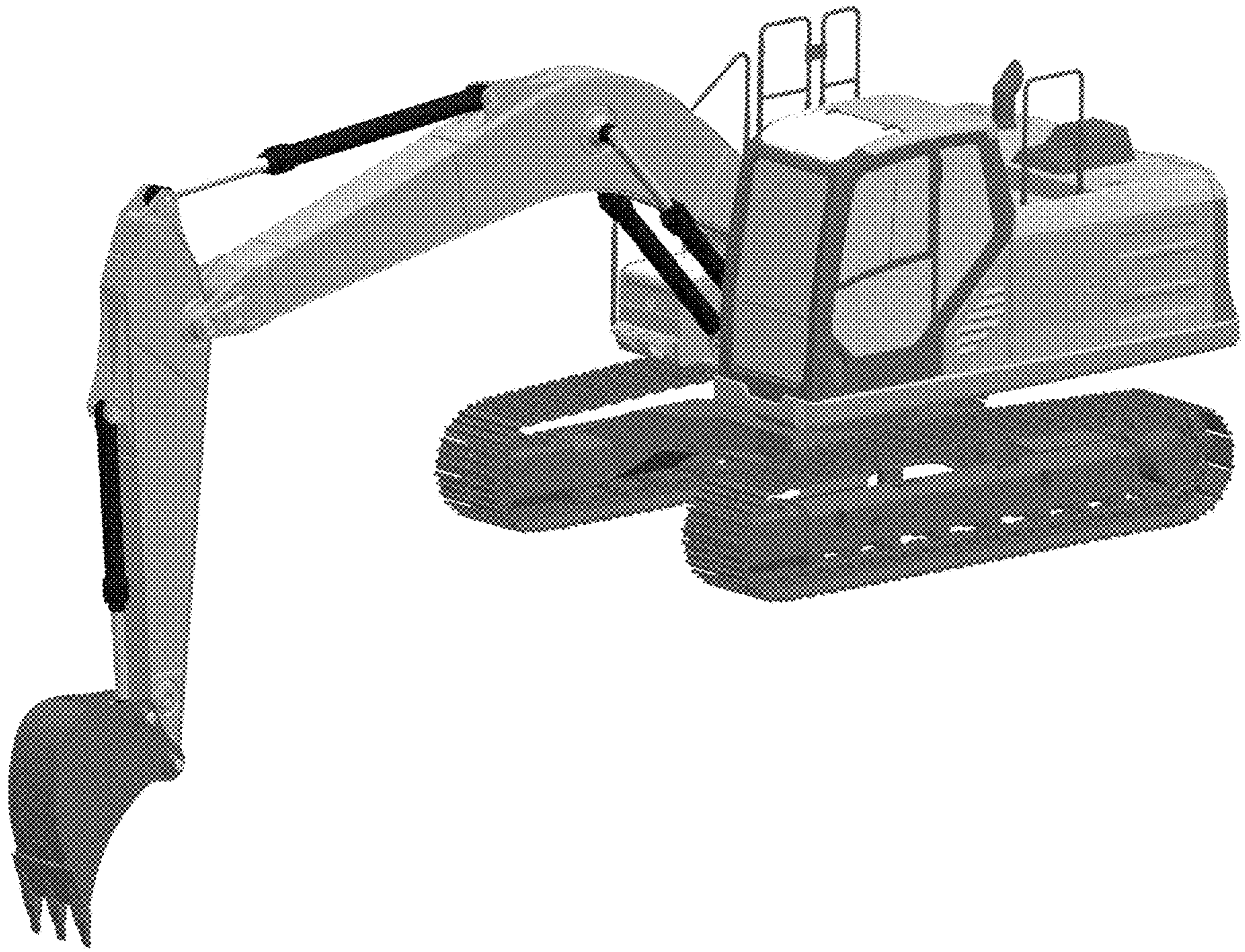


Fig. 1

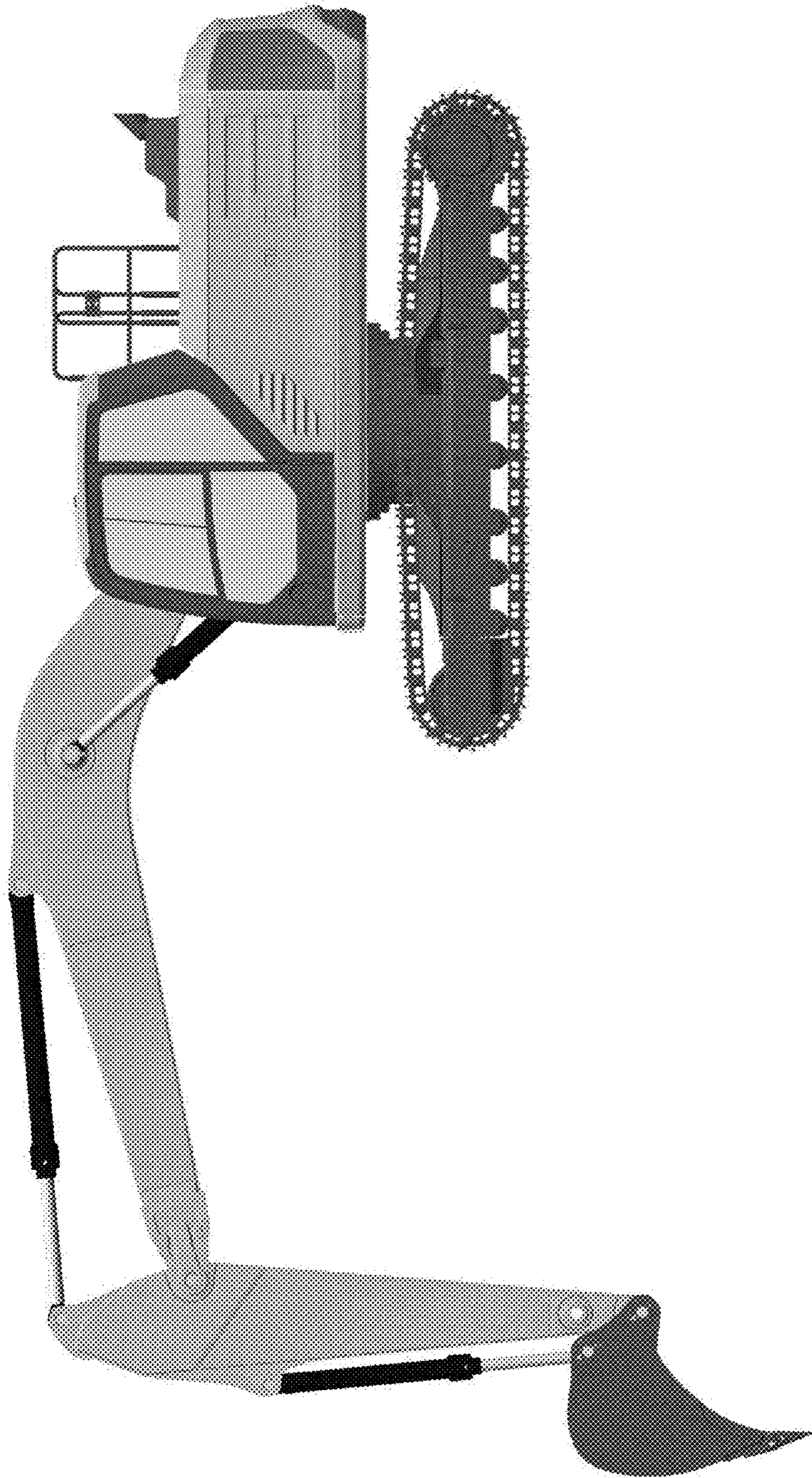


Fig. 2

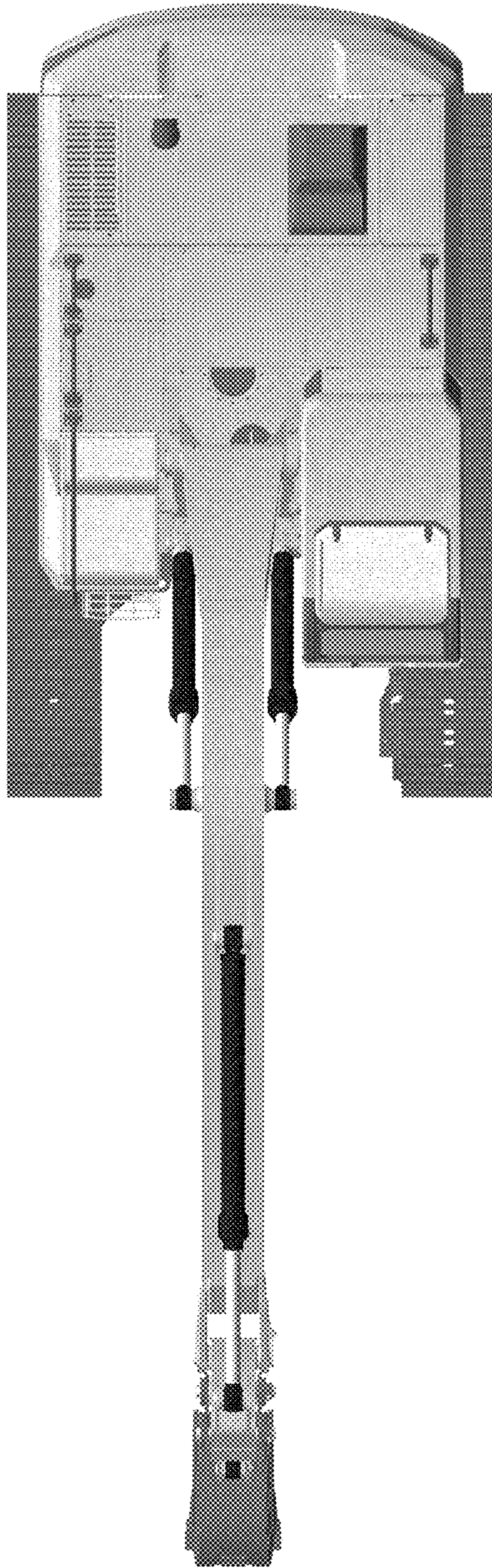


Fig. 3

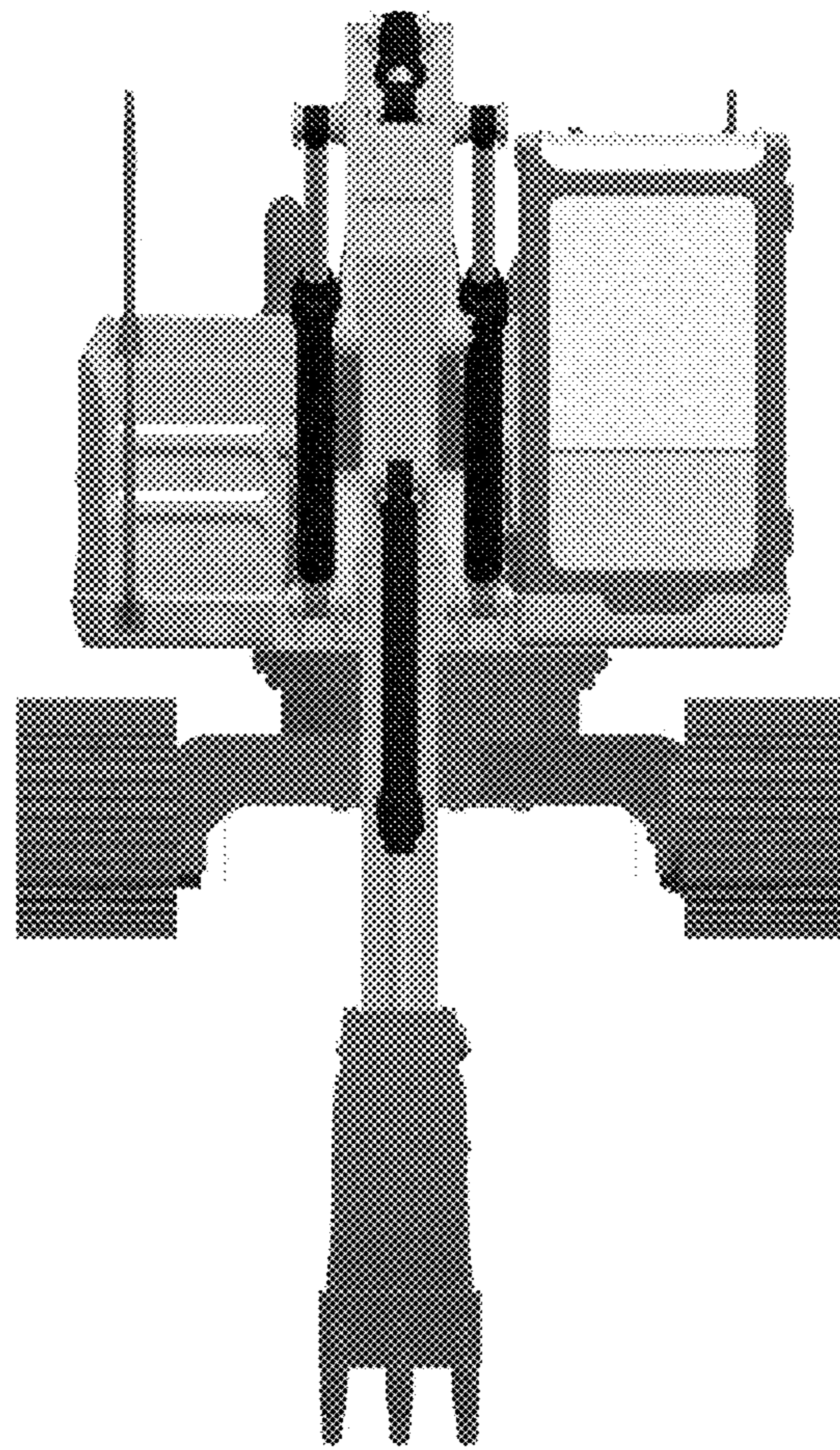


Fig. 4

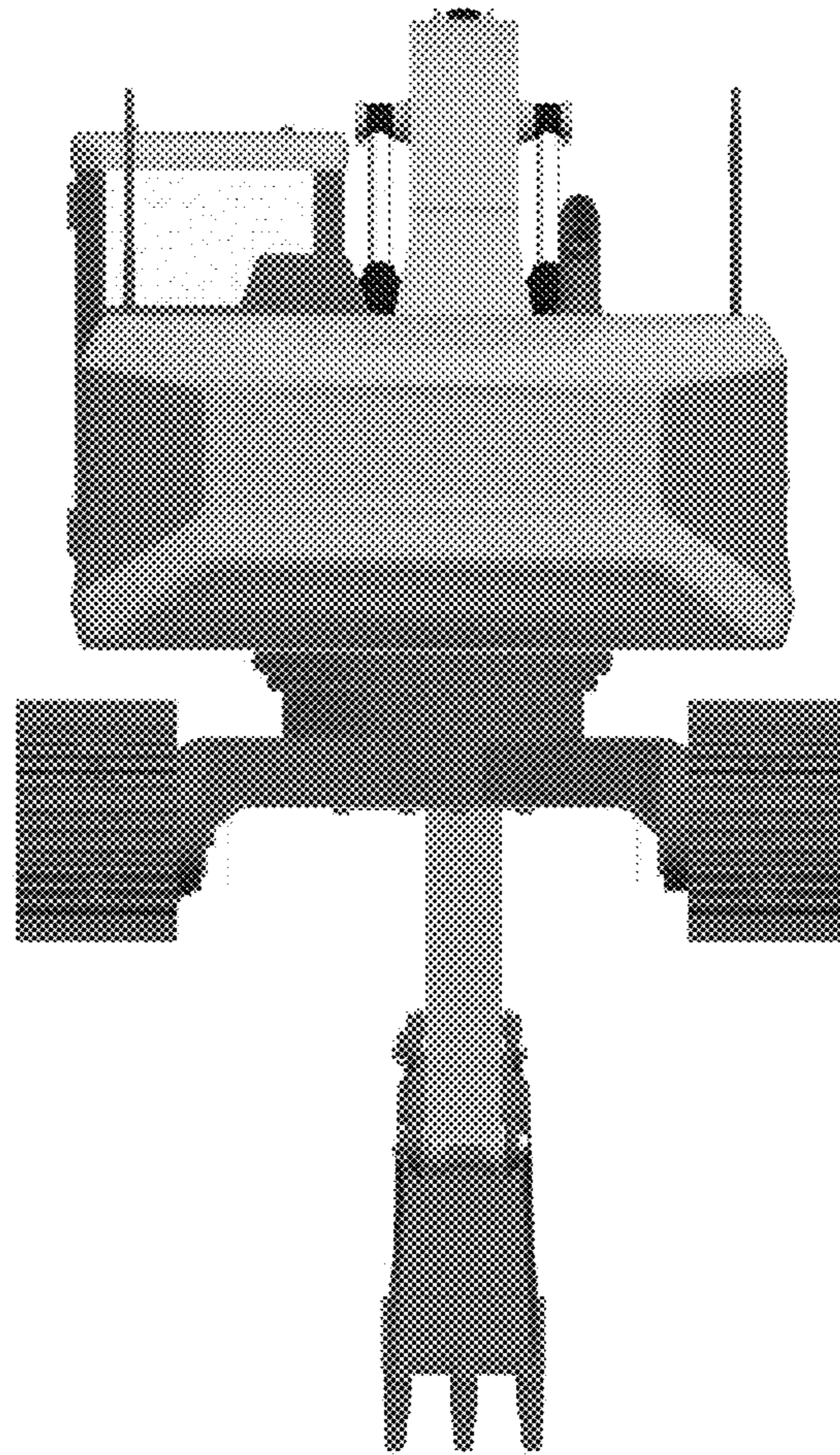


Fig. 5

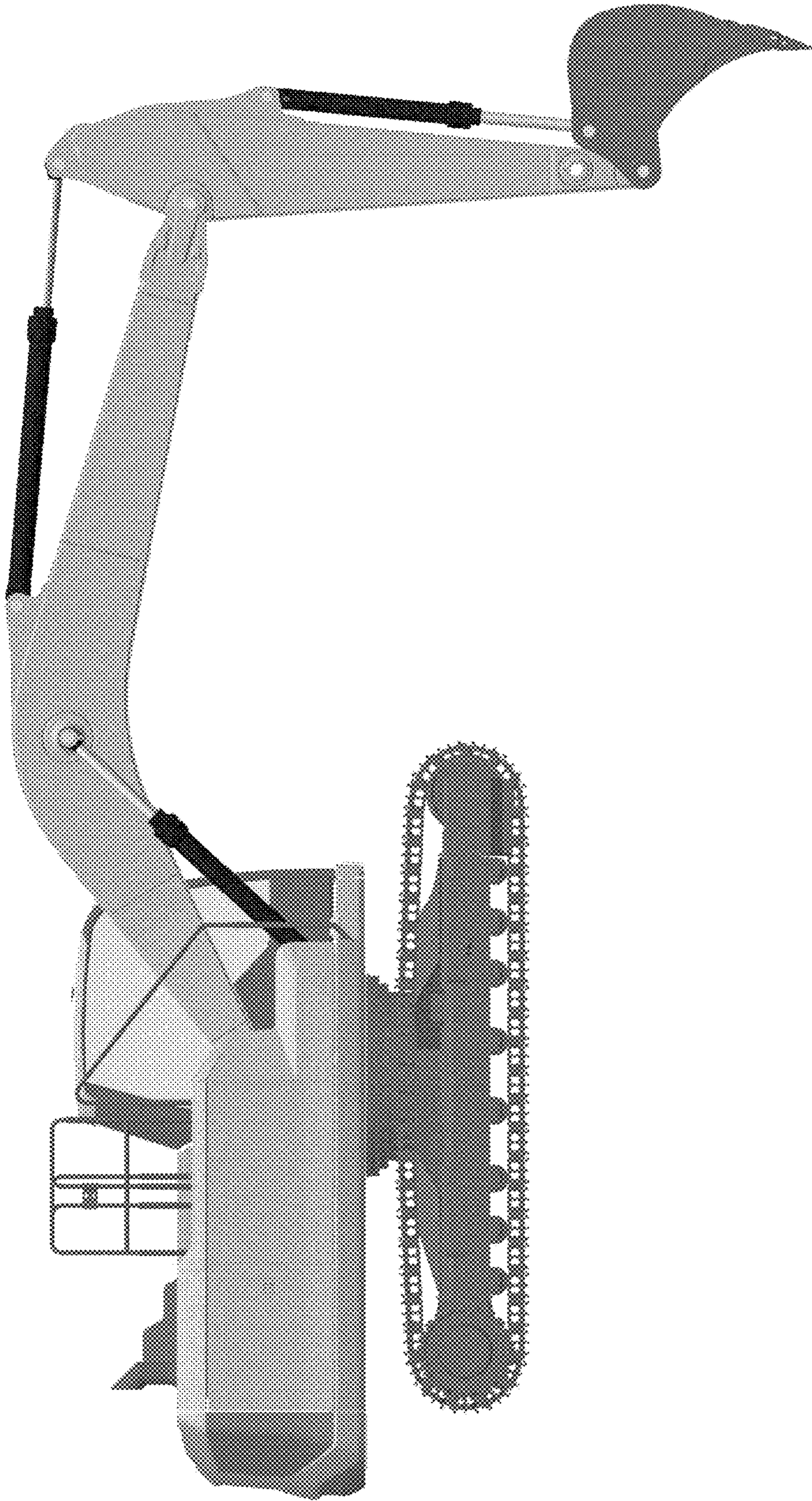


Fig. 6

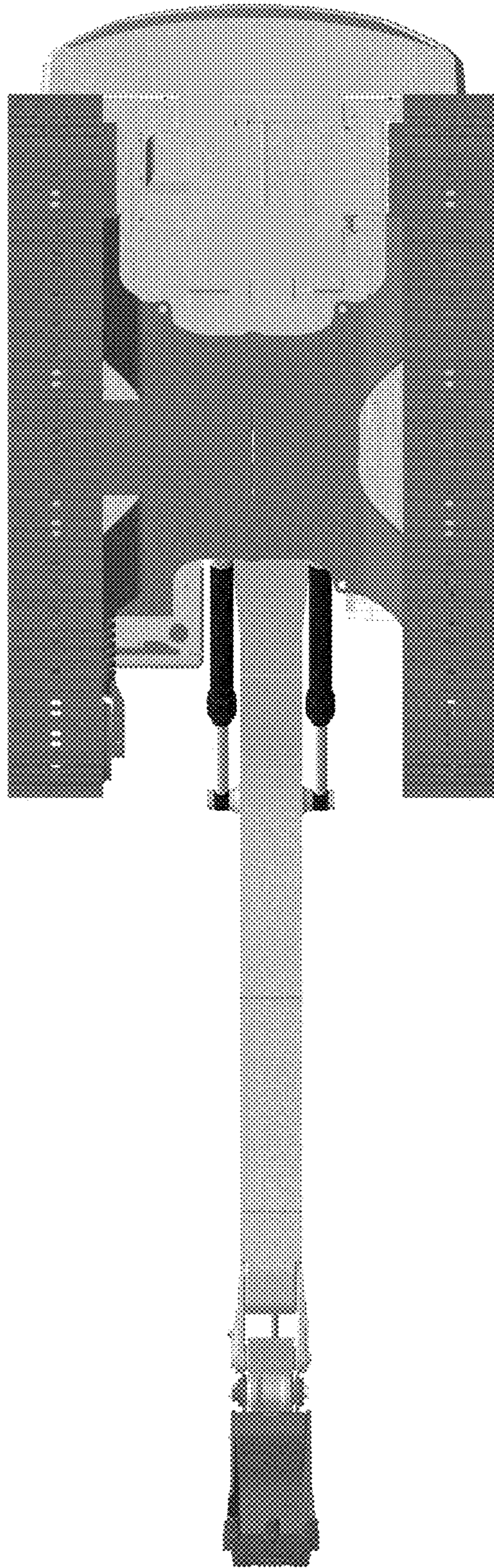


Fig. 7



Fig. 8