



US00D870158S

(12) **United States Design Patent**
Yang et al.

(10) **Patent No.:** **US D870,158 S**

(45) **Date of Patent:** **** Dec. 17, 2019**

(54) **COMPRESSOR FOR HOME APPLIANCE,
VEHICLE AND AIRCRAFT**

D735,244 S * 7/2015 Jeong D15/9
D828,403 S * 9/2018 Sandkotter D15/9
D835,158 S * 12/2018 Shin D15/9
D842,341 S * 3/2019 Shin D15/9

(71) Applicant: **Guangdong Meizhi Compressor Co.,
Ltd.**, Foshan (CN)

* cited by examiner

(72) Inventors: **Kaicheng Yang**, Foshan (CN); **Yangbo
Yu**, Foshan (CN); **Fayun Li**, Foshan
(CN); **Feng Wang**, Foshan (CN);
Guoyong Yang, Foshan (CN)

Primary Examiner — Khawaja Anwar

(74) *Attorney, Agent, or Firm* — Scully Scott Murphy &
Presser

(73) Assignee: **GUANGDONG MEIZHI
COMPRESSOR CO., LTD.**, Foshan
(CN)

(57) **CLAIM**

The ornamental design for a compressor for home appliance,
vehicle and aircraft, as shown and described.

(**) Term: **15 Years**

DESCRIPTION

(21) Appl. No.: **29/609,745**

FIG. 1 is a front elevation view of a compressor for home
appliance, vehicle and aircraft showing the first embodiment
of our design;

(22) Filed: **Jul. 5, 2017**

FIG. 2 is a rear elevation view thereof;

(30) **Foreign Application Priority Data**

Jan. 24, 2017 (CN) 2017 3 0029327

FIG. 3 is a left elevation view thereof;

(51) **LOC (12) Cl.** **15-03**

FIG. 4 is a right elevation view thereof;

(52) **U.S. Cl.**
USPC **D15/9**

FIG. 5 is a top plan view thereof;

(58) **Field of Classification Search**
USPC D15/7-9
CPC F01D 5/14; F01D 5/12; F01D 5/04; F02B
33/40; F04D 29/42

FIG. 6 is a bottom plan view thereof;

FIG. 7 is a perspective view thereof;

FIG. 8 is a front elevation view of a compressor for home
appliance, vehicle and aircraft showing the second embodi-
ment of our design;

See application file for complete search history.

FIG. 9 is a rear elevation view thereof;

FIG. 10 is a left elevation view thereof;

FIG. 11 is a right elevation view thereof;

FIG. 12 is a top plan view thereof; and,

FIG. 13 is a bottom plan view thereof.

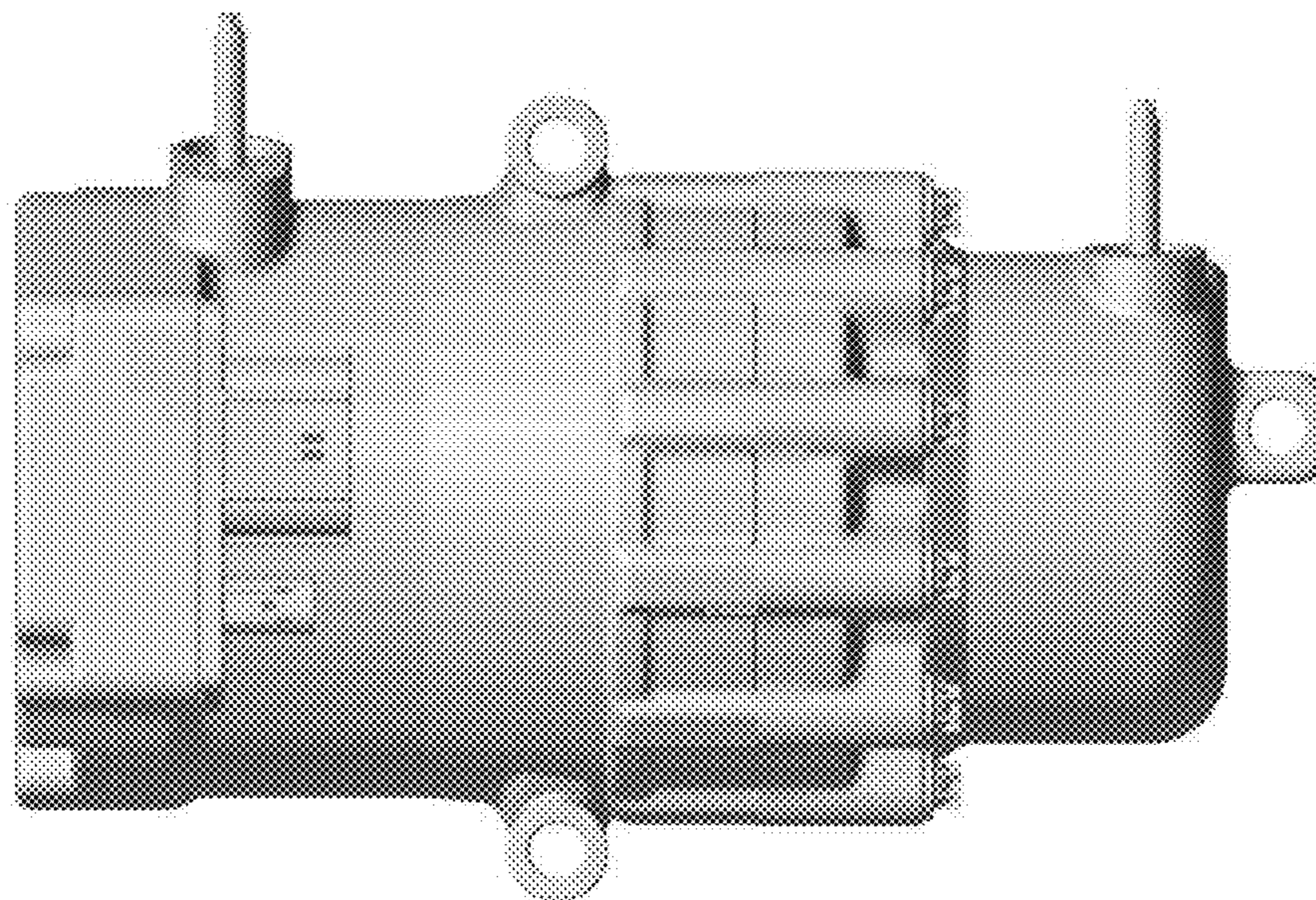
(56) **References Cited**

The broken lines in the figures, consisting of evenly sized
dashes, depict portions of the compressor for home appli-
ance, vehicle and aircraft that form no part of the claimed
design; the broken lines, consisting of unevenly sized
dashes, define the boundary of the claimed design, which
extends to the boundary but does not include the boundary.

U.S. PATENT DOCUMENTS

D624,095 S * 9/2010 Chu D15/9
D695,789 S * 12/2013 Nam D15/9
D715,327 S * 10/2014 Lim D15/9
D732,085 S * 6/2015 Park D15/9

1 Claim, 13 Drawing Sheets



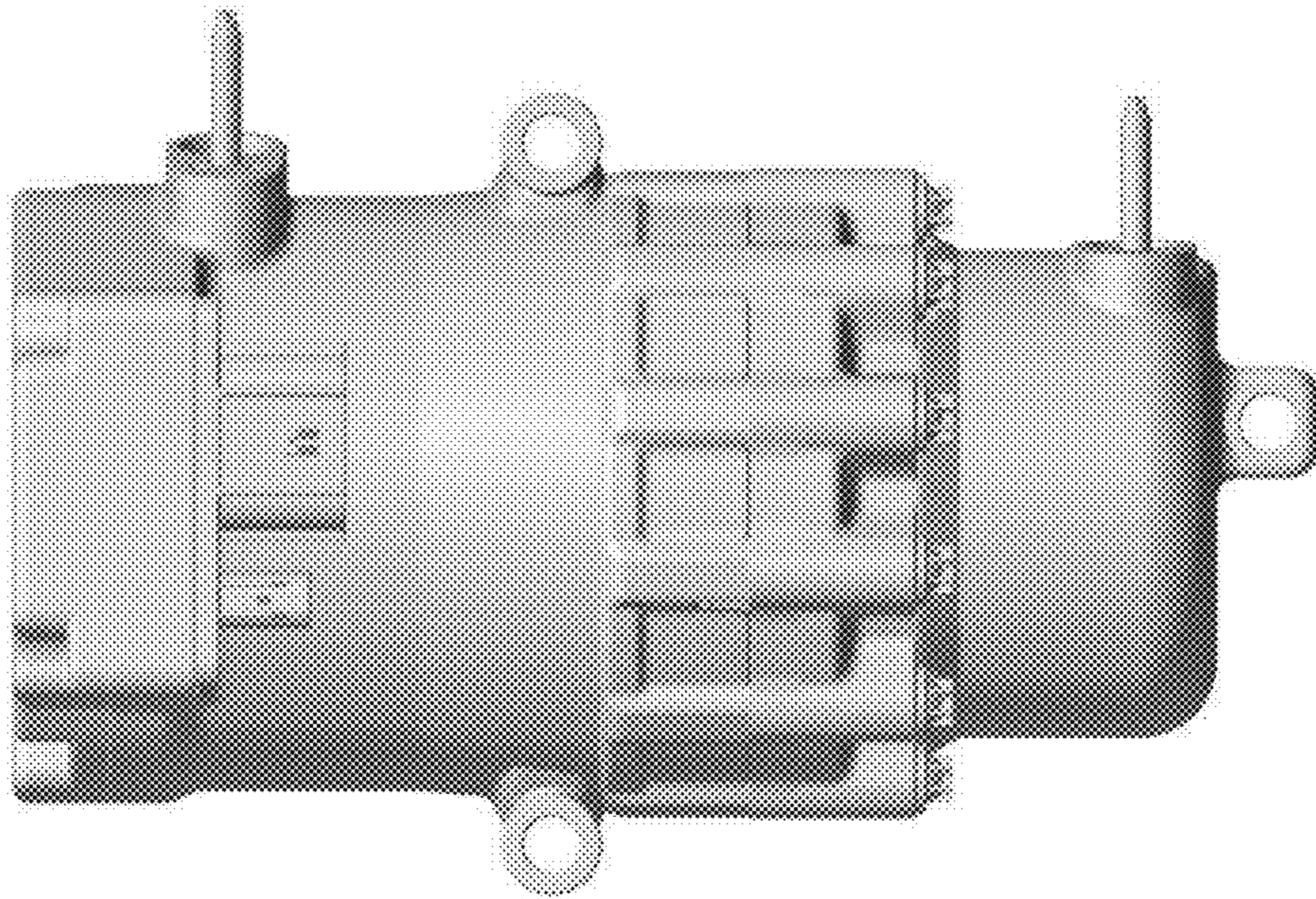


FIG. 1

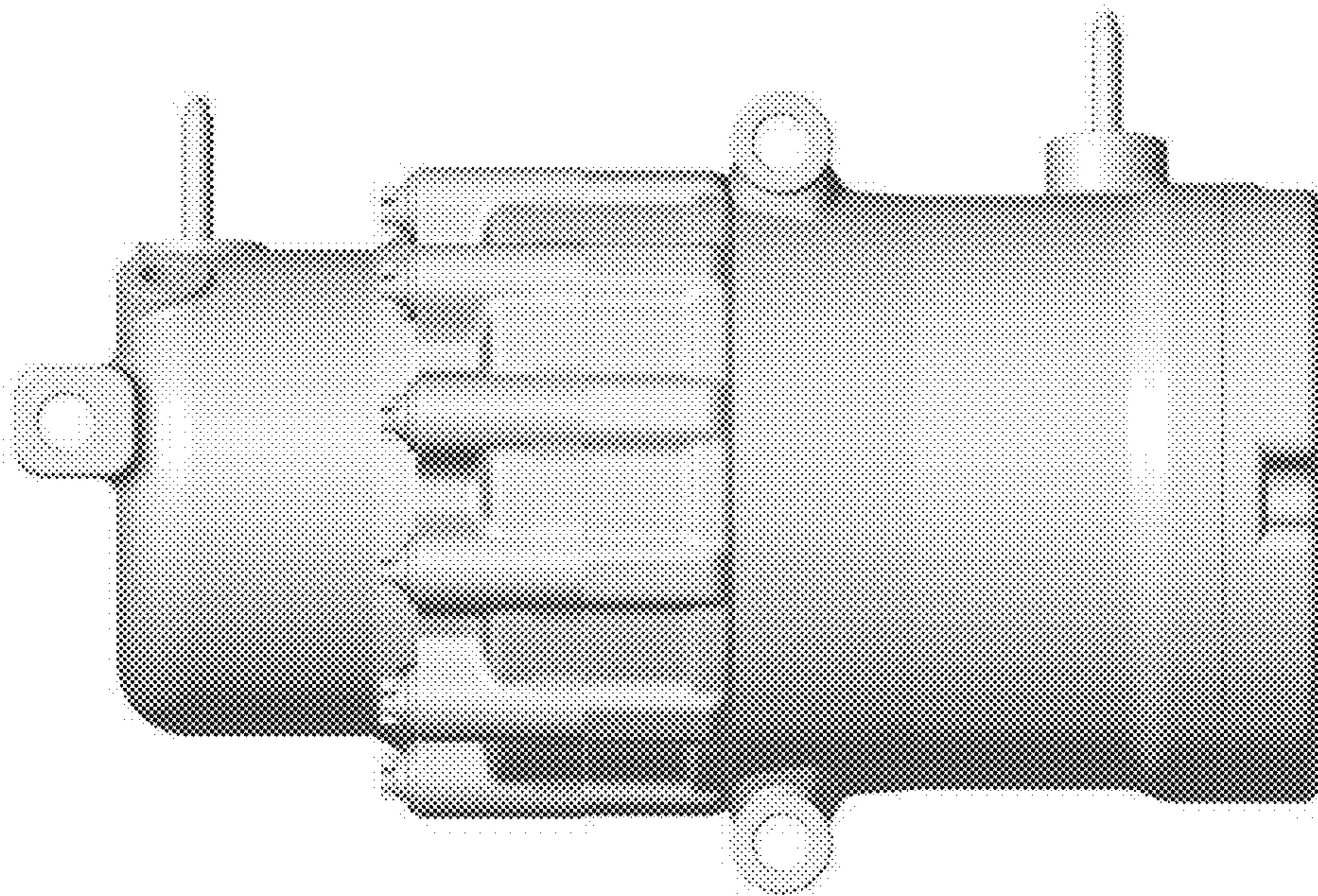


FIG. 2

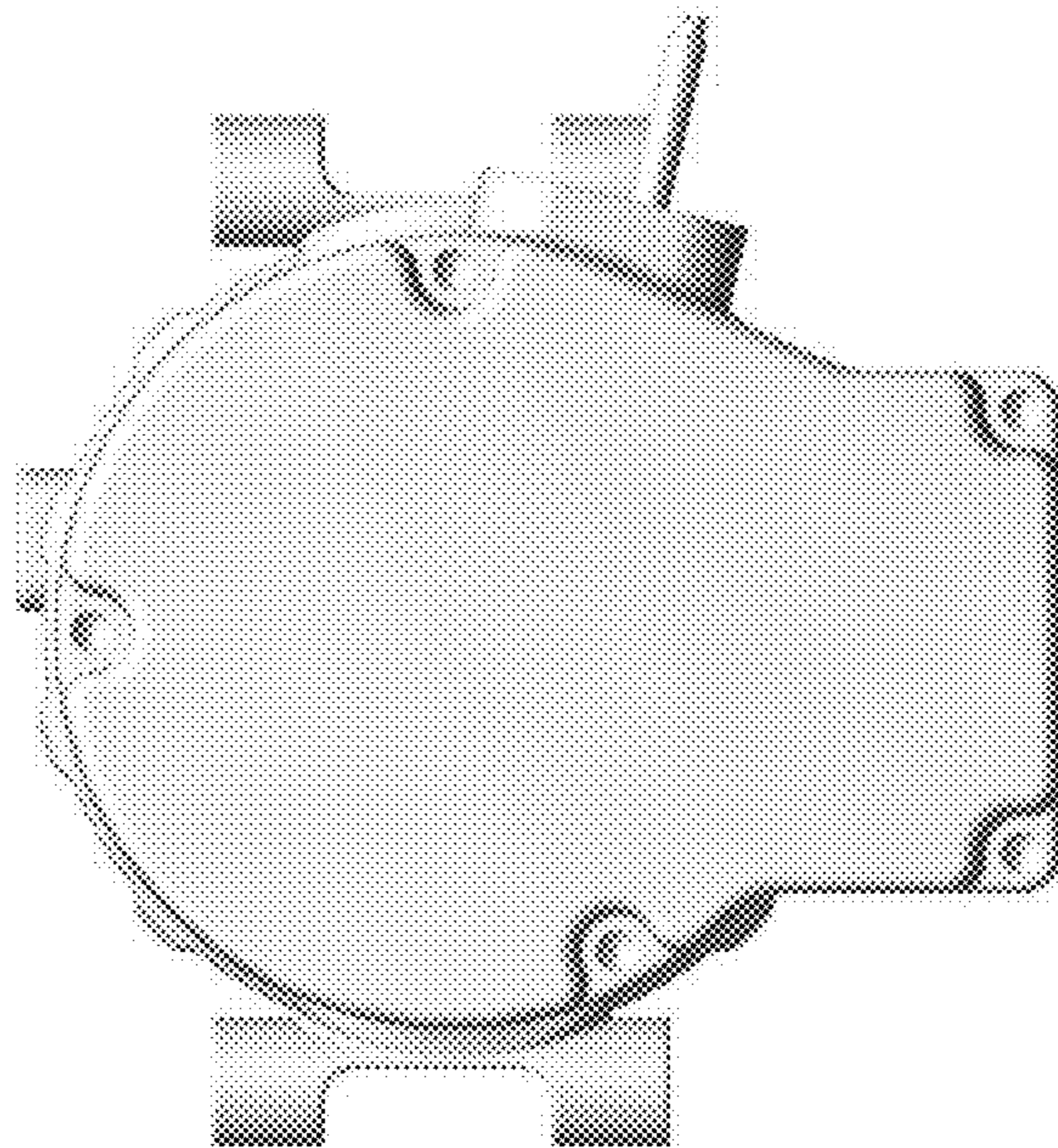


FIG. 3

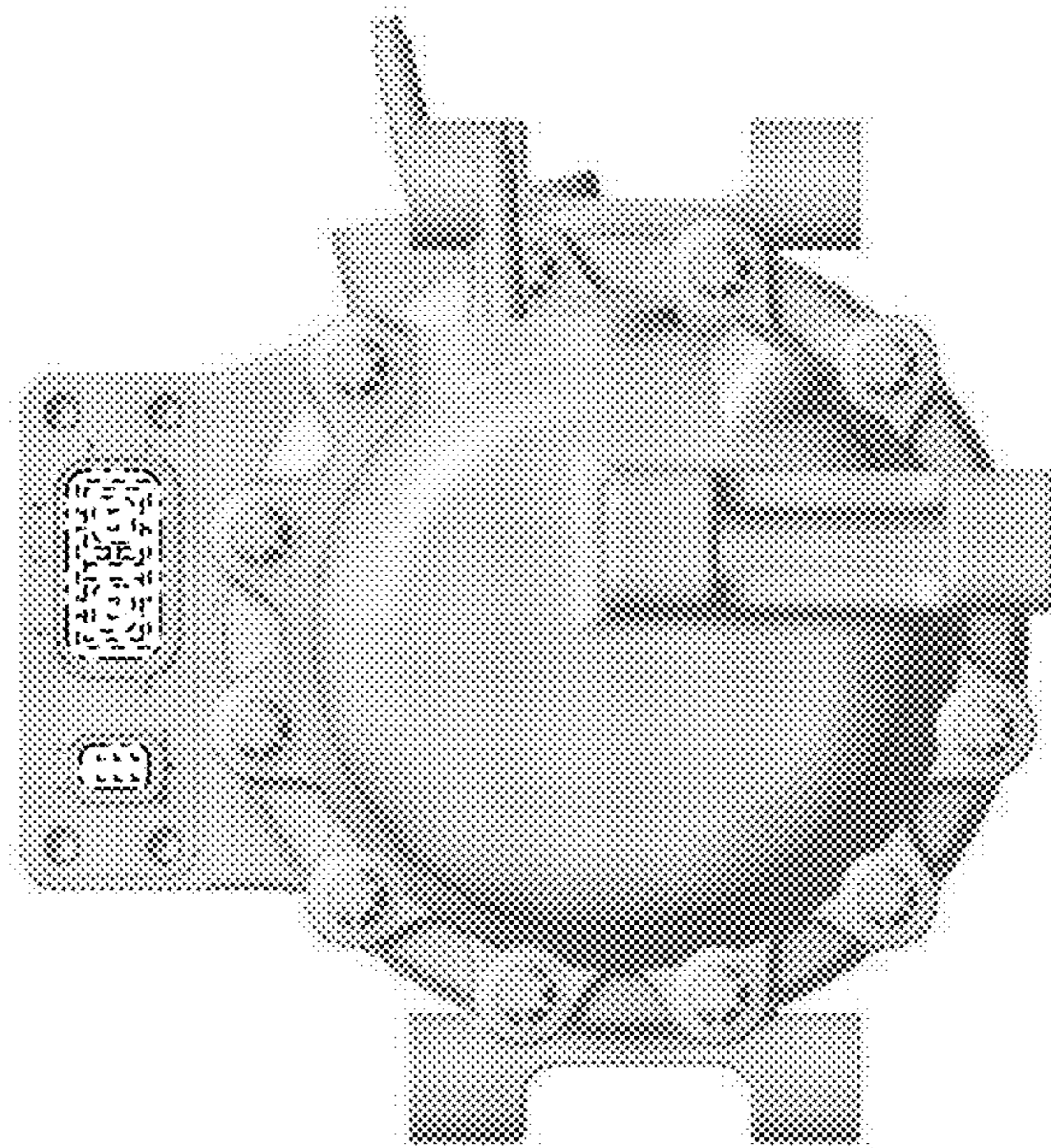


FIG. 4

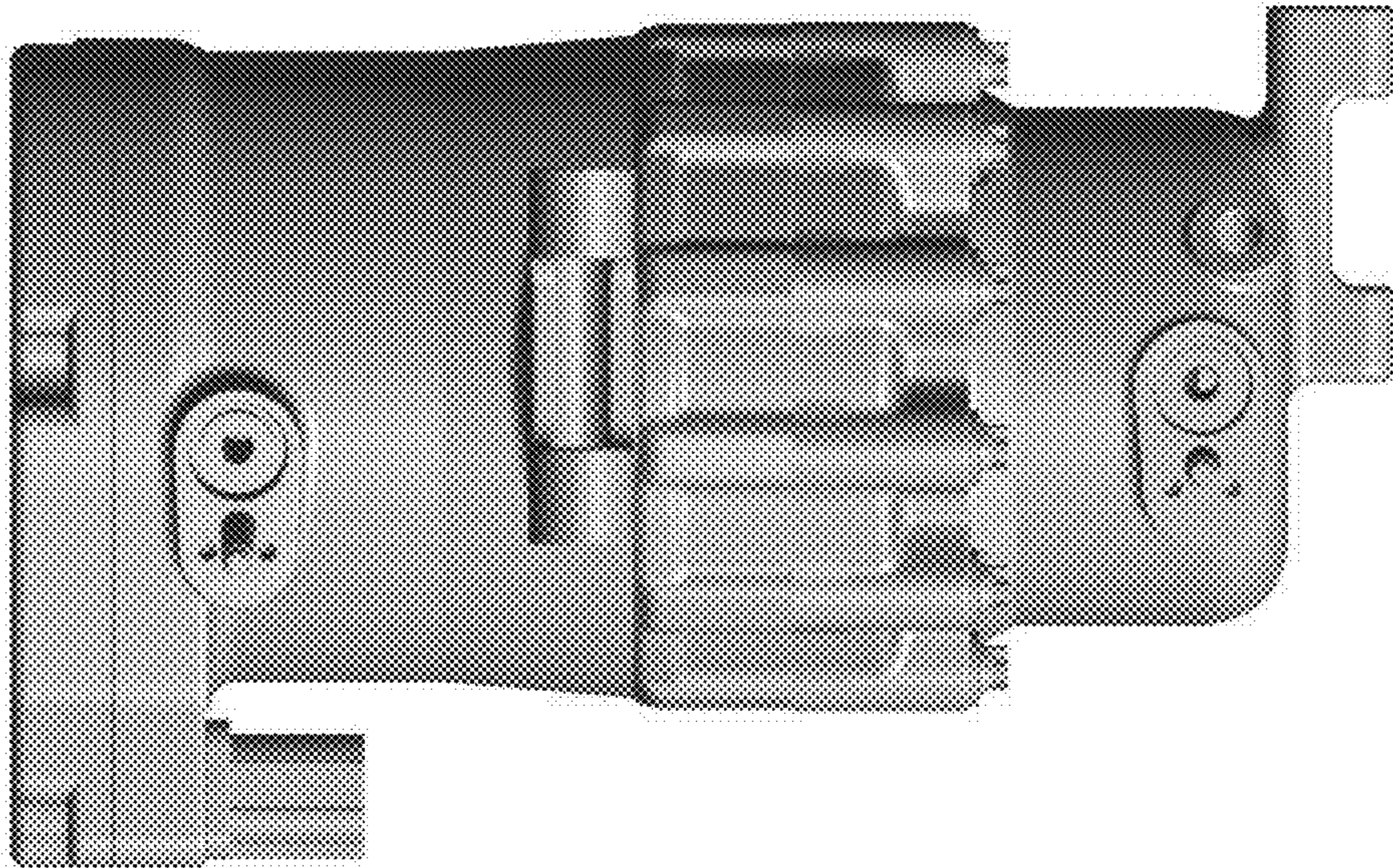


FIG. 5

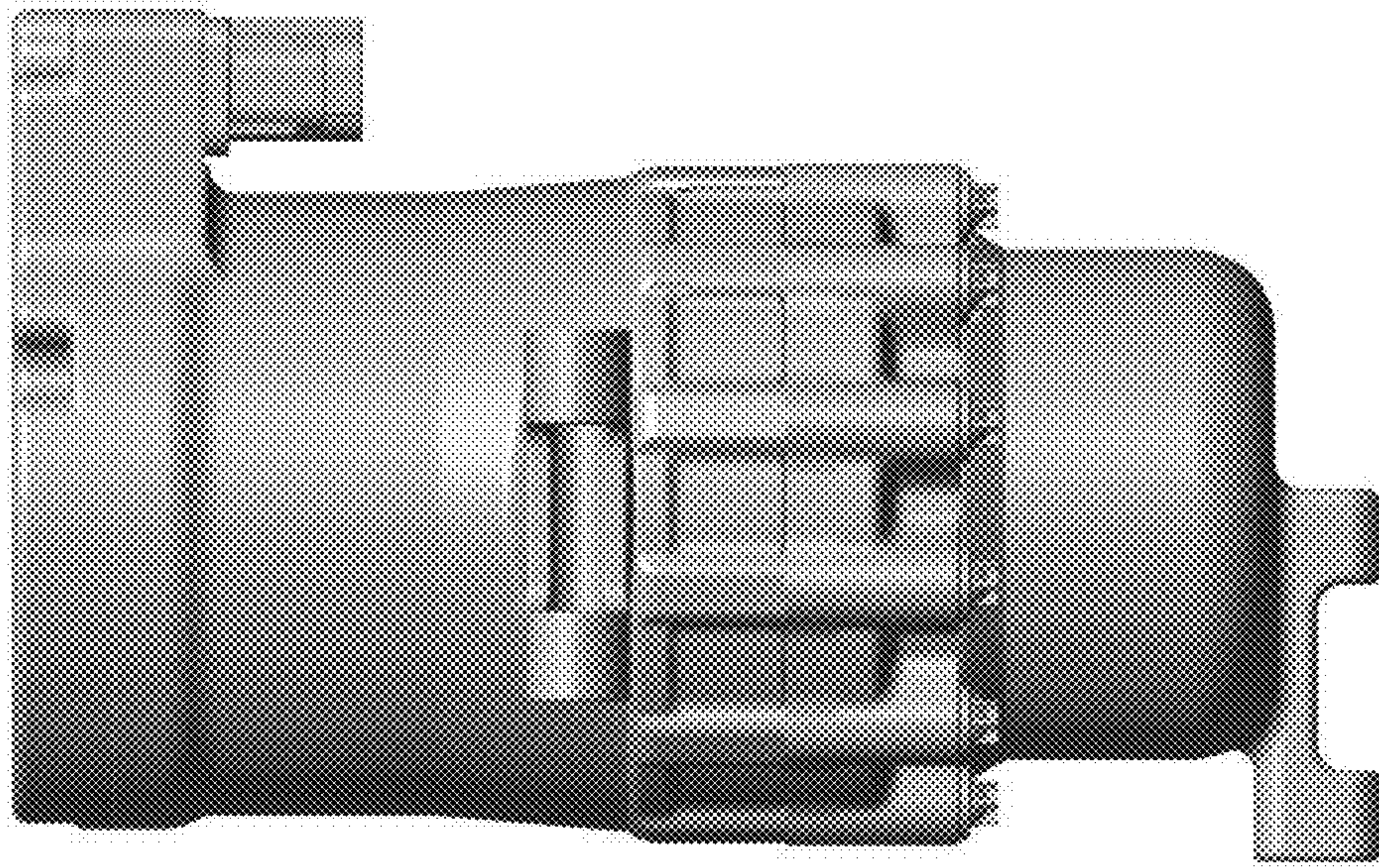


FIG. 6

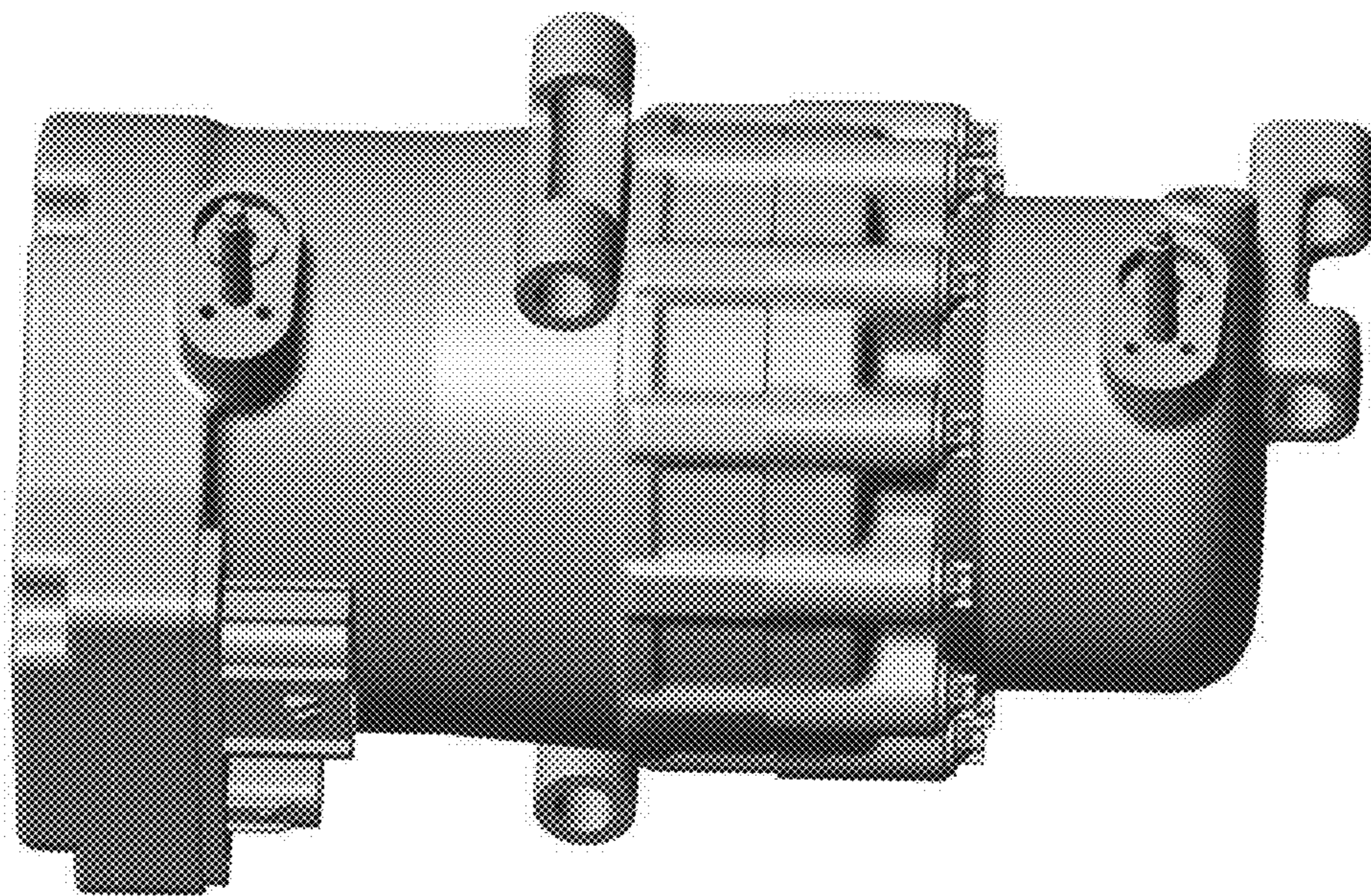


FIG. 7

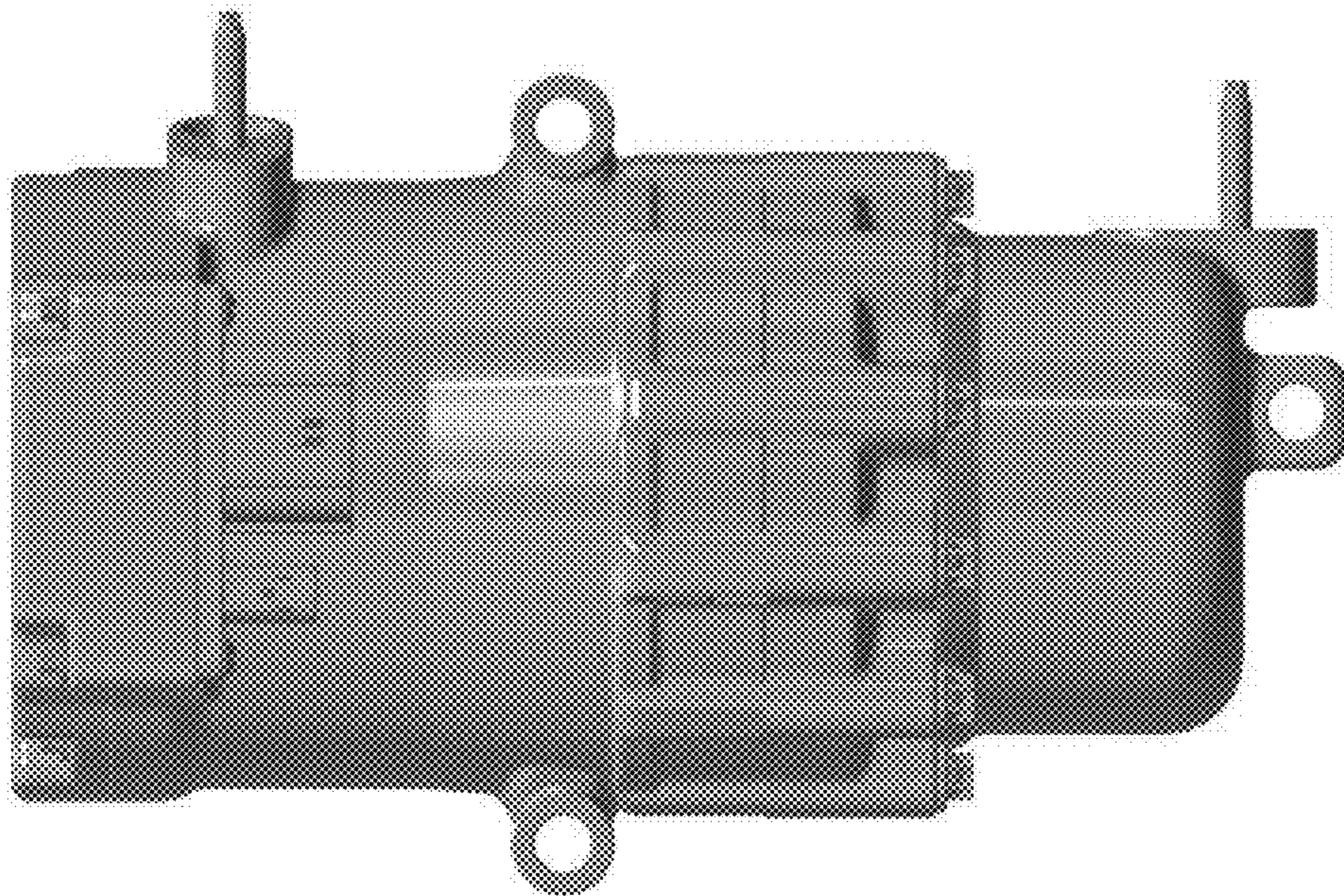


FIG. 8

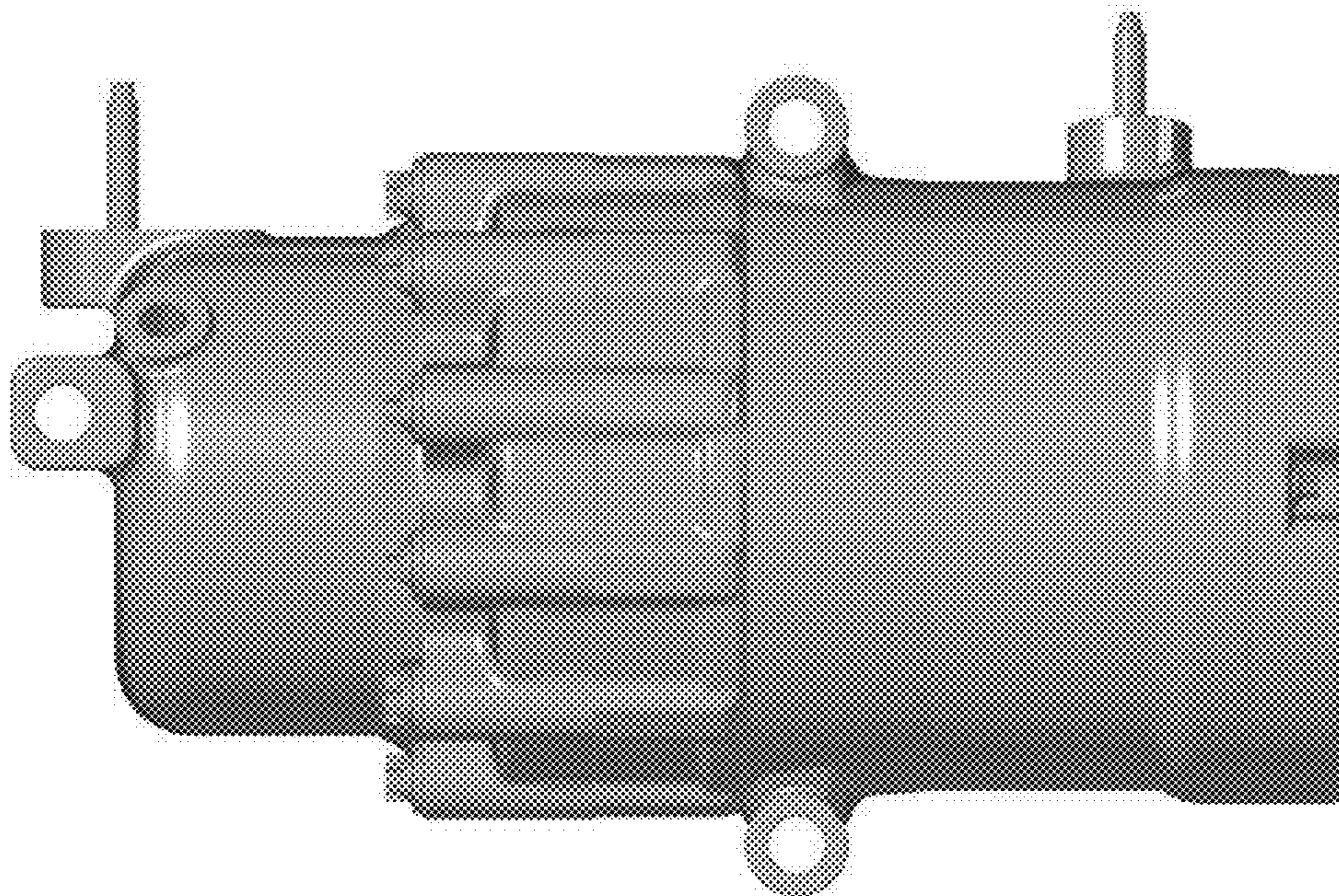


FIG. 9

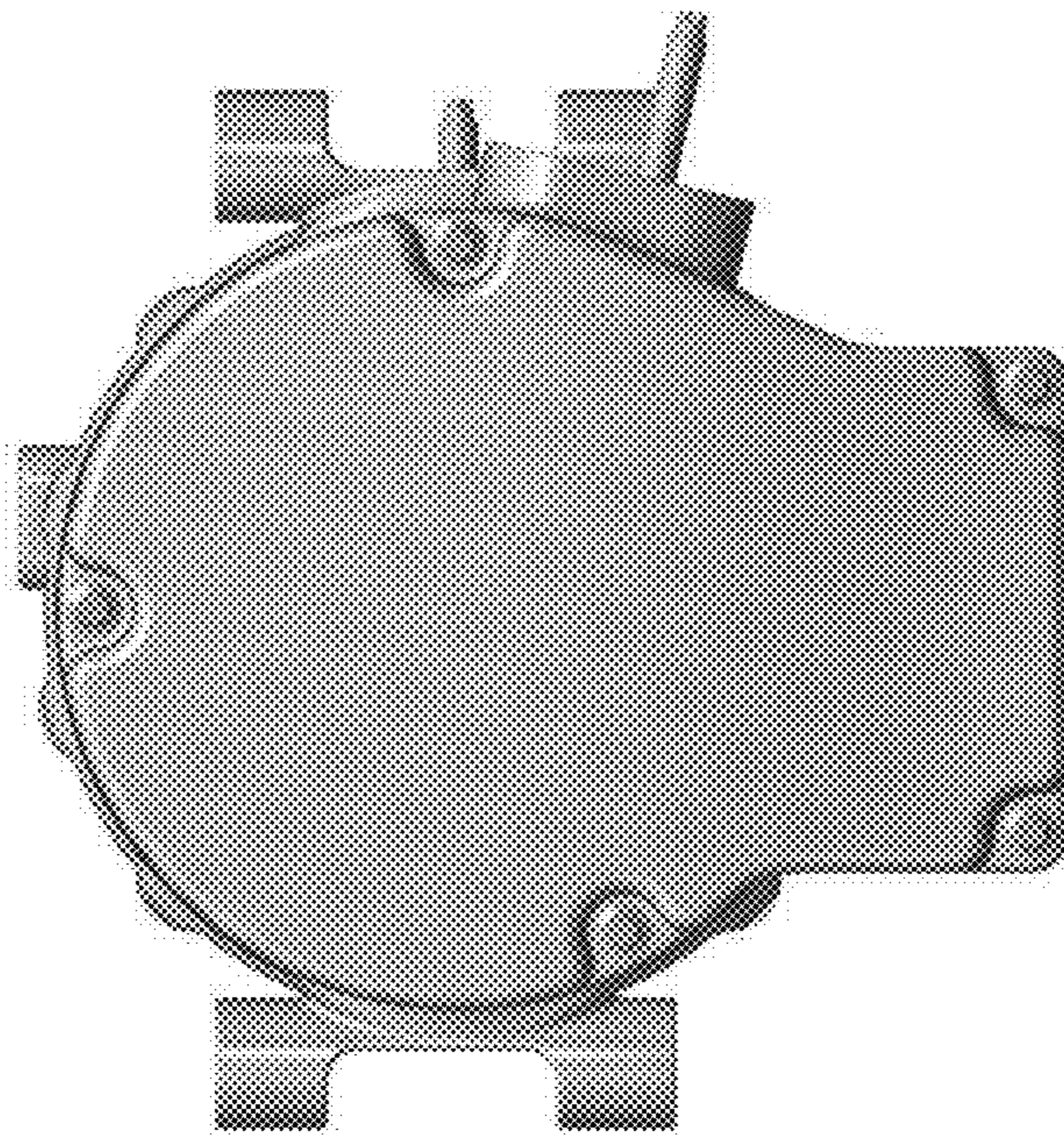


FIG. 10

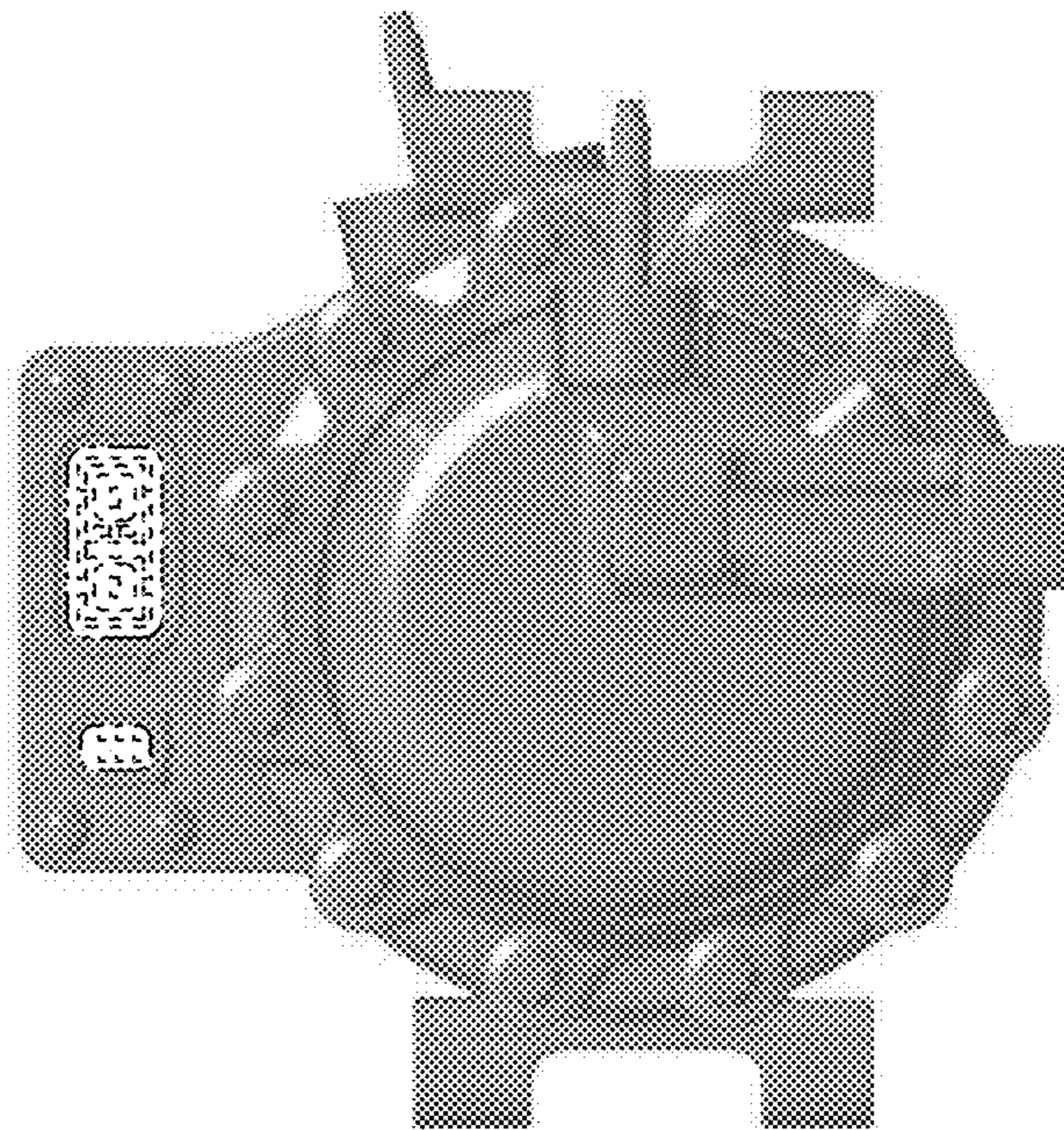


FIG. 11

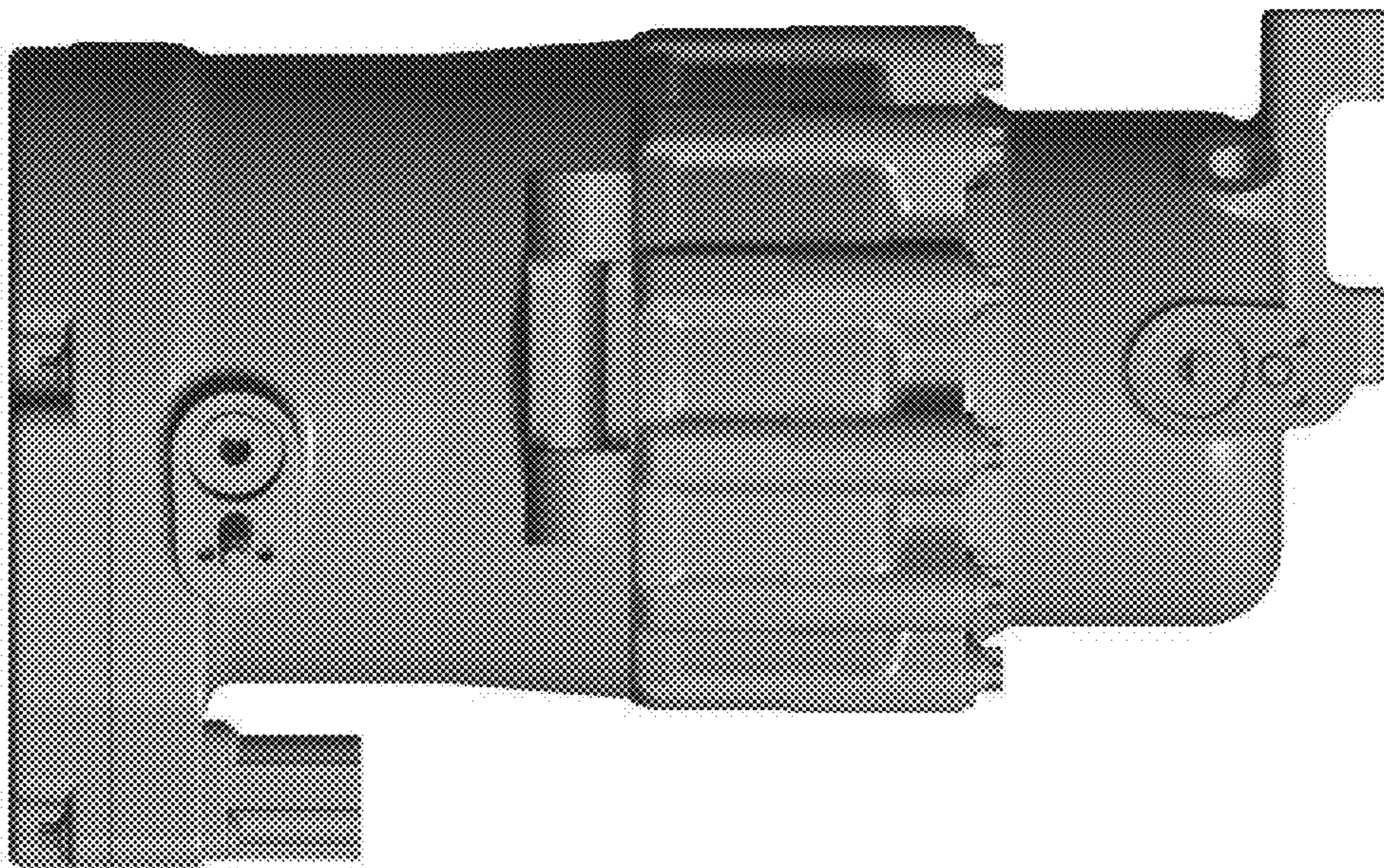


FIG. 12

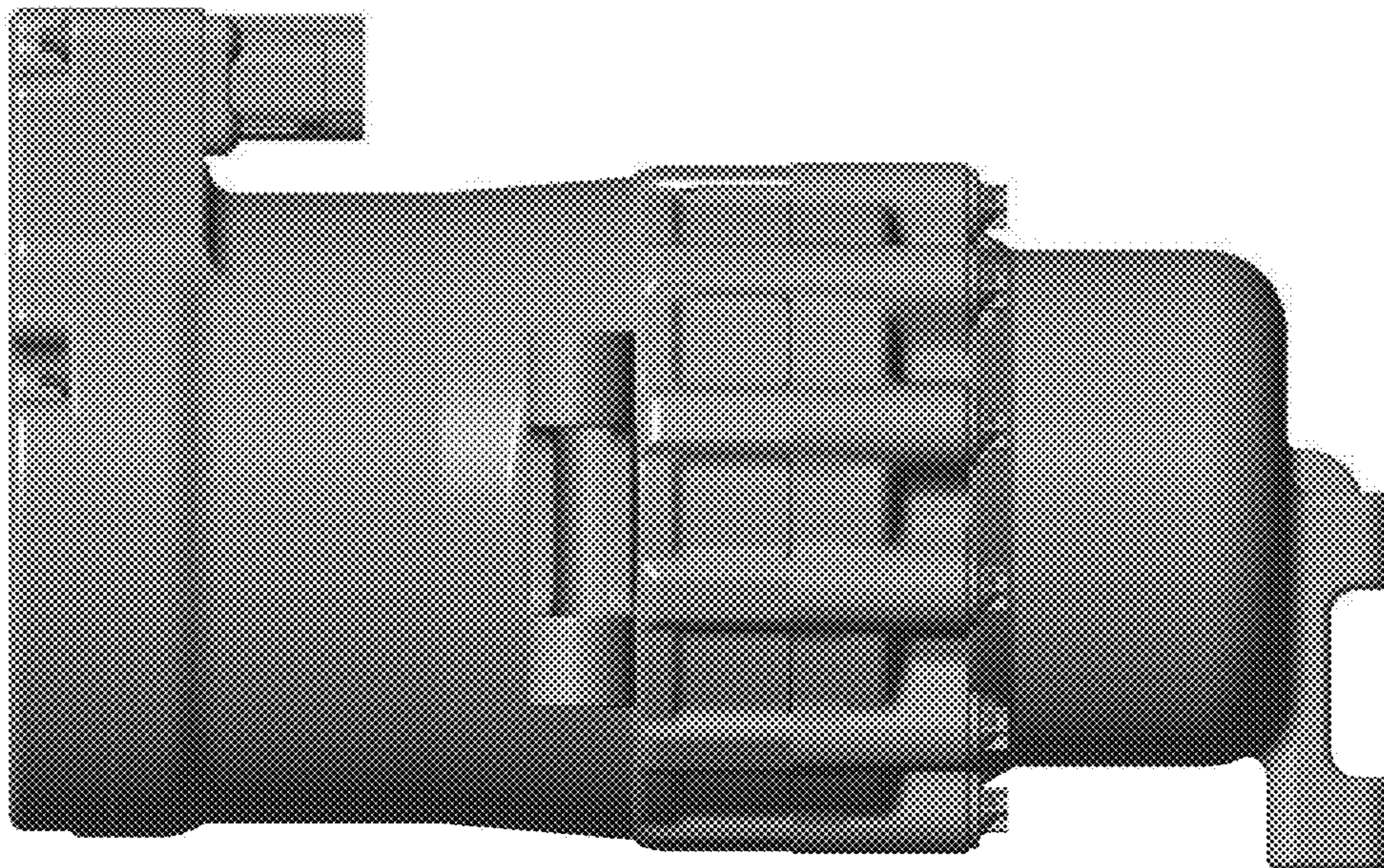


FIG. 13